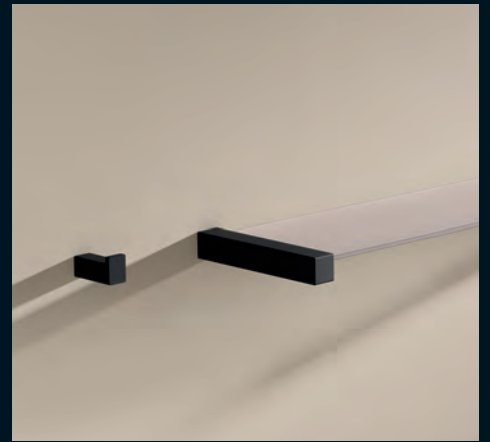
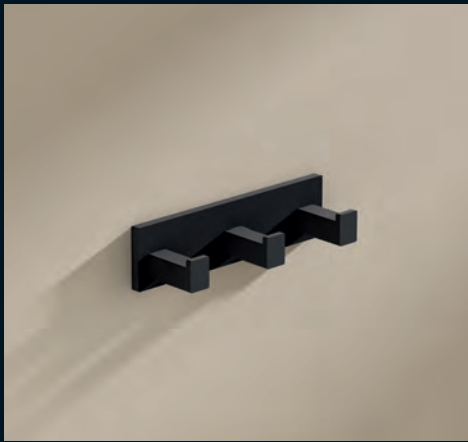


# Sanitary 2023/24

# HEWI

Design  
Comfort  
Care

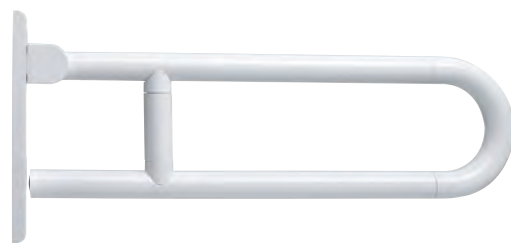


# HEWI

## Sanitary systems and ranges

### Accessories and accessibility

Range 477/801  
 Polyamide | **ICONIC New** | Matt edition |  
 Chrome-look coated



Product characteristics	10, 70
ACCESSORIES	18, 20, 74
ACCESSIBILITY	19, 21, 76

Range 802 LifeSystem  
 Synthetic material | Metal



Product characteristics	302
ACCESSORIES	304
ACCESSIBILITY	305

System 800 K  
 Polyamide



Product characteristics	358
ACCESSORIES	360
ACCESSIBILITY	362

System 162  
 Stainless steel | Chrome | Powder-coating



Product characteristics	436
ACCESSORIES	438
ACCESSIBILITY	439

System 815  
 Chrome | Powder-coating matt black



Product characteristics	450
ACCESSORIES	452
ACCESSIBILITY	453

### System 900 Q **New**

Stainless steel | Chrome | Powder-coating



Product characteristics	172
ACCESSORIES	174
ACCESSIBILITY	194

### System 900

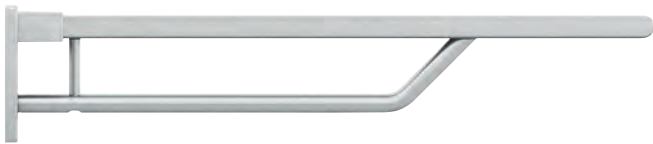
Stainless steel | Chrome | Powder-coating



Product characteristics	188
ACCESSORIES	192
ACCESSIBILITY	194

### Range 805

Stainless steel



Product characteristics	388
ACCESSORIES	390
ACCESSIBILITY	391

### Range 805 Classic

Stainless steel | Polyamide



Product characteristics	408
ACCESSORIES	410
ACCESSIBILITY	411

### System 800

Chrome | Powder-coating black, white **New**



Product characteristics	462
ACCESSORIES	464
ACCESSIBILITY	465

### Dispenser products

Stainless steel | White | Powder-coating



Product characteristics	654
ACCESSORIES	657

# System 900 Q

## New design variant

Since this year, the design variant S 900 Q has expanded the System 900 and creates modern accents with its linear design language.

Available in stainless steel, chrome and powder-coated in white, black and grey, the accessories enable a consistent design in sanitary rooms. The products are intelligently thought out down to the smallest detail. In addition to durable quality, simple installation technology and hygienic design, these products offer impressive functional details such as a shelf on the WC paper holder. The design variant meets the requirements for public buildings, hotels and private bathrooms. It is also suitable for various applications in healthcare buildings.



## Introduction

The Brand HEWI	2
Applications	4 – 8

## Range 477/801 ICONIC **New** 10

Product range	18 – 21
Accessories	22 – 50
Accessibility	51 – 66

## Range 477/801 70

Product range, suitable products	74 – 77
Accessories, shower curtain rails	78 – 119
Accessibility	120 – 171

## System 900 Q **New** 172

Product range, suitable products	174 – 177
Accessories	178 – 187

## System 900 188

Product range, suitable products	192 – 195
Accessories, shower curtain rails	196 – 225
Accessibility	226 – 301

## Range 802 LifeSystem 302

Product range	304 – 305
Accessories	306 – 310
Accessibility	311 – 339

## WARM TOUCH 340

Product range	342 – 343
Accessibility	344 – 357

## System 800 K 358

Product range, suitable products	360 – 363
Accessories	364 – 371
Accessibility	372 – 386

## Range 805 388

Product range, suitable products	390 – 391
Accessories	392 – 400
Accessibility	401 – 406

## Range 805 Classic 408

Product range, suitable products	410 – 411
Accessories	412 – 416
Accessibility	417 – 435

## System 162 436

Product range, suitable products	438 – 439
Accessories	440 – 449

## System 815 450

Product range, suitable products	452 – 453
Accessories	454 – 461

## System 800 **New** 462

Product range, suitable products	464 – 465
Accessories	466 – 474
Accessibility	475 – 479

## System 100 480

Product range, suitable products	482 – 483
Accessories	484 – 490

## S 50 Height-adjustable 492

Overview modules	494 – 495
Washbasin-modules	498 – 502
WC-modules	503 – 513

## Sit **New** 514

Product range	516 – 517
Stools, hinged and hanging seats	518 – 533
Ordering aid mobile seats	534 – 535

## Kids | Cloakrooms 536

Product characteristics and range	539 – 543
Shelves, tumbler and hook racks	544 – 549
Washbasins, fittings, mirrors	550 – 555
Cloakroom rails, hooks	556 – 567

## Fittings 568

Product characteristics and range	571 – 575
Washbasin fittings	576 – 584
Shower mixer taps	585

## Washbasins **New** 588

Product range	590 – 591
Washbasins   Product sets	592 – 602
Washbasins, variable length	603 – 609
Modular washbasin system	610 – 639

## Mirrors 640

Product range	642 – 643
Mirrors, LED illuminated mirrors	644 – 647
Adjustable mirrors	648 – 651
Cosmetic mirrors	652 – 653

## Dispenser products **New** 654

Product range	657 – 659
Dispensers Range 477/801	660 – 667
Dispensers 950   Range 805	667 – 675
Dispensers System 900	676 – 689

## Universal products 691

Product range	692 – 693
Accessories	694 – 704

## Adiposity 705

Product range	707
Rails	708 – 711
Shower benches	712

## High risk products 713

Product characteristics and range	714 – 715
Hooks, rails	716 – 719
Shower curtain rails	720 – 721

## Shower curtains **New** 723

Product range	724 – 725
Standard dimensions	726 – 728
Special dimensions	729 – 735

## Fixings 737

Fixing material	738 – 744
-----------------	-----------

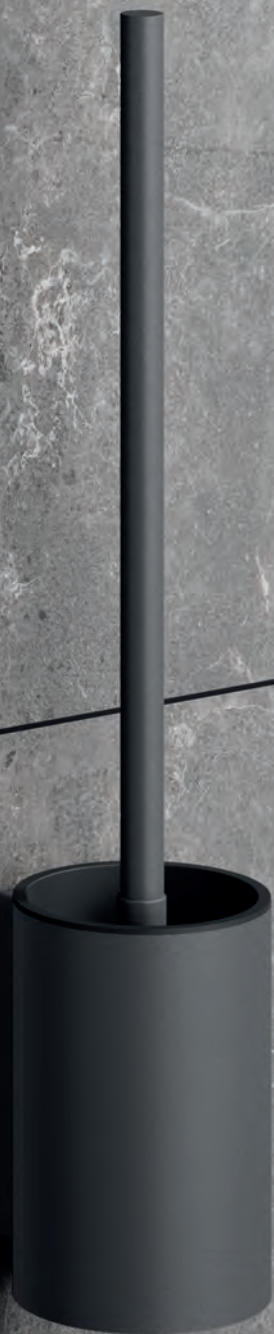
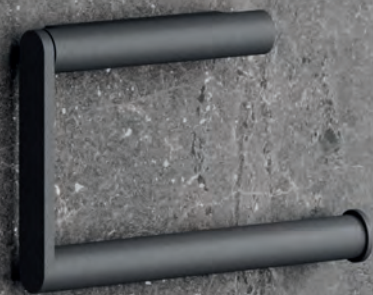
## General information 745

News, changes	746 – 751
Numerical index	752 – 790
Service	792 – 793
Product characteristics, care tips	794 – 795
International terms of sale	796 – 799
Colours	Inlay back page

## HEWI Hotline

Monday – Thursday	07:30 am – 17:00 pm
Friday	07:30 am – 14:00 pm
Phone: +49 5691 82-0	
Fax: +49 5691 82-319	
eMail: international@hewi.com	

# The Brand HEWI System and Design



### SYSTEM DESIGN

HEWI is traditionally innovative. HEWI has written new design history with its 111 door lever handle and developed a timeless, classic architectural product. High-quality materials, which are precisely processed, guarantee durable quality. Well thought-through details guarantee unlimited functionality. Numerous design prizes confirm the high design quality.

### CONSTRUCTION

With HEWI, continuous design from the entrance door through to the sanitary room is possible. In addition to a large selection of hardware for doors and windows, the systems comprise formally matching handrails, signage systems, escape route solutions as well as sanitary accessories and accessibility products. At HEWI, even the smallest detail is considered to be important, so that perfectly coordinated systems are therefore created. The modular concept enables individual planning – irrespective of whether highly frequented sanitary facilities or installations in public buildings, representative office spaces or barrier-free private comfort bathrooms.

### MATERIALS AND SURFACES

For HEWI, good design means offering options. The surface finish is an independent dimension of the product design at HEWI. This thereby makes individual solutions possible, perfectly coordinated to the respective application field. Varied designs, materials and colours can be selected and therefore provide countless design opportunities.



# Professional Care



With HEWI you do not have to make any compromises. The modular principle enables individual designs – thus, optional (private) services areas and full-comfort private room areas can be just as easily implemented as areas for standard service patients. A well thought-through bathroom design contributes to the well-being of patients. They reduce the efforts for care personnel because they contribute to user-independence and are particularly easy to care for.

## PRODUCT RECOMMENDATION

System 900, Range 477/801, System 800 K, Range 802 LifeSystem, WARM TOUCH, Range 805 Classic, S 50 Height-adjustable modules, Shower seats 950, Fittings, Washbasins, Mirrors, Dispenser products, Adiposity products, High-risk products, Shower curtains, Dementia-sensitive products, Symbols, HEWI *active+*, Cloakrooms, Hooks



# Public



Products which have to be utilised in public buildings must be easy to care for, resistant, functional and intuitively operable. HEWI sanitary systems also fulfil the most demanding requirements and can even withstand heavy use, as they are designed for permanent use in public sanitary rooms. They also enable you to implement a coherent overall concept, which is matched to your design, right down to the smallest detail.

## **PRODUCT RECOMMENDATION**

System 162, Range 805, Range 805 Classic, System 900 | 900 Q, Fittings, Washbasins, Mirrors, Dispenser products, Symbols, Cloakrooms, Hooks

# Hotel



A well designed hotel creates an unmistakable atmosphere, impresses its guests and makes them feel at home. HEWI hotel products combine functionality as well as award winning design with durable, sustainable quality and thereby create added value. Resistant-scapable surface areas indicate no sign of wear, even after years of intensive use and cleaning. They impress with their easy-care and increase the hygiene standards in bathrooms – and the satisfaction for guests and hotel operators.

## **PRODUCT RECOMMENDATION**

System 900 Q, System 100, System 162, System 800, System 815, System 900, WARM TOUCH, Shower seats 950, Fittings, Washbasins, Mirrors, Dispenser products, Universal products

# Education



Equipment solutions for kindergartens, primary and secondary schools have to meet a variety of requirements. They must be able to withstand high loads over a long period of time and therefore have a robust design. The architectural structure of the building should be adapted to the needs of the respective age group.

This creates an atmosphere that invites kids to play and also to learn together. HEWI offers individual solutions for the respective needs of the building. Discover our product range for the education sector and plan individual furnishing worlds with us – from the door to the bathroom.

## PRODUCT RECOMMENDATION

Range 477/801 ICONIC, Cloakrooms, Hooks, Fittings, Washbasins, Mirrors, tumbler racks, Symbols, Pictograms

# Home



The modular principle from HEWI sanitary systems enables individual bathrooms, which easily satisfy personal requirements – irrespective of whether for a representative guest bathroom, a comfort bathroom for the family or a bathroom geared for accessibility. HEWI represents excellent quality. This is demonstrated both in the durability of the products as well as also in the design. HEWI systems provide expressive, but still puristic, designs.

## **PRODUCT RECOMMENDATION**

System 900 | 900 Q, System 100, System 162, System 800, System 815, WARM TOUCH, S 50 Height-adjustable modules, Shower seats 950, Fittings, Washbasins, Mirrors, Universal products



# be iconic. be colourful.



## PRODUCT CHARACTERISTICS

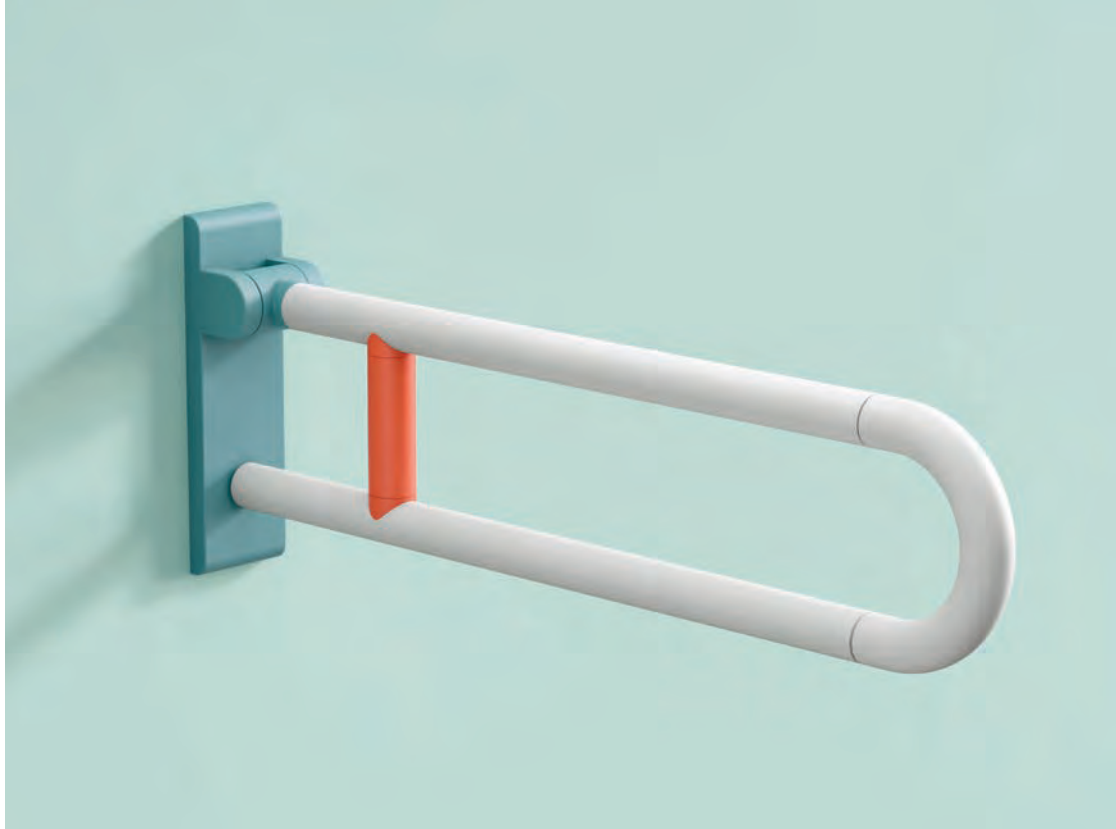
- Range 477/801 is the classic product in a barrier-free sanitary room, which has been relaunched with exciting colour combinations
- Range 477/801 brings emotion and colour to architecture
- High product range depth enables precise solutions
- Range 477/801 comprises solutions for special application areas
  - High risk products from page 713
  - Adiposity products from page 705
- Range 477/801 with anti-microbial surface is available for areas with the highest-possible hygiene requirements

## RECOMMENDED APPLICATION AREAS

Professional Care, Education







Colour has always been firmly anchored in HEWI's DNA and naturally colour is fundamental when it comes to adapting a design icon that is almost perfect in terms of form and function. Colour is an essential element to compliment current trends and helps increase the opportunities for design in planning. HEWI's colour combination in the Care range, creates a pleasing atmosphere in any room because of the interplay of the various components and their colour accents. On the one hand gentle and calming, on the other rejuvenating – the perfect balance.



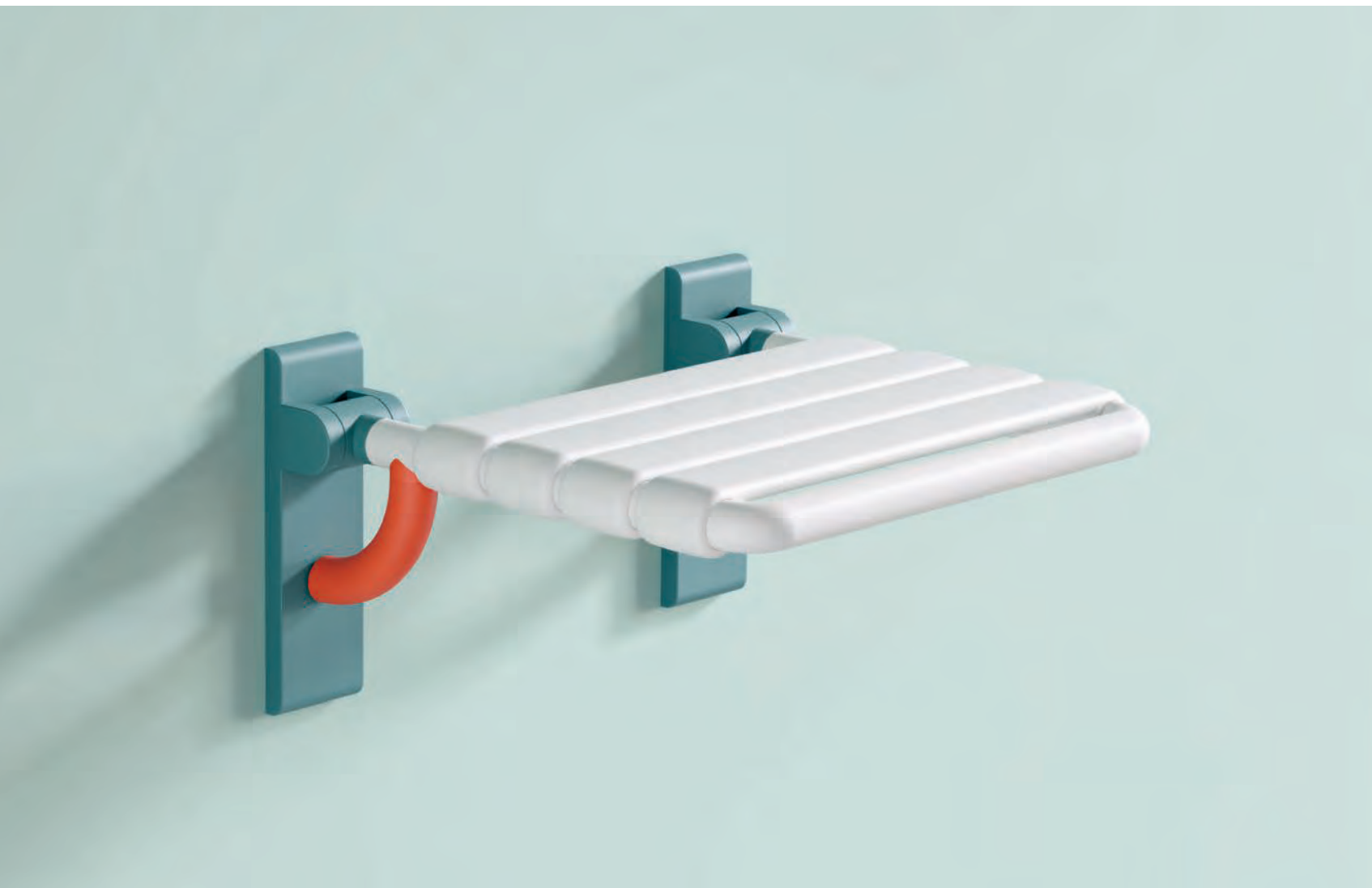
When something is highlighted with a colour, that accent can signal its use and encourages intuitive use. This is a vitally important aspect when people have for example, restricted vision and colour-accentuated products can provide better orientation.

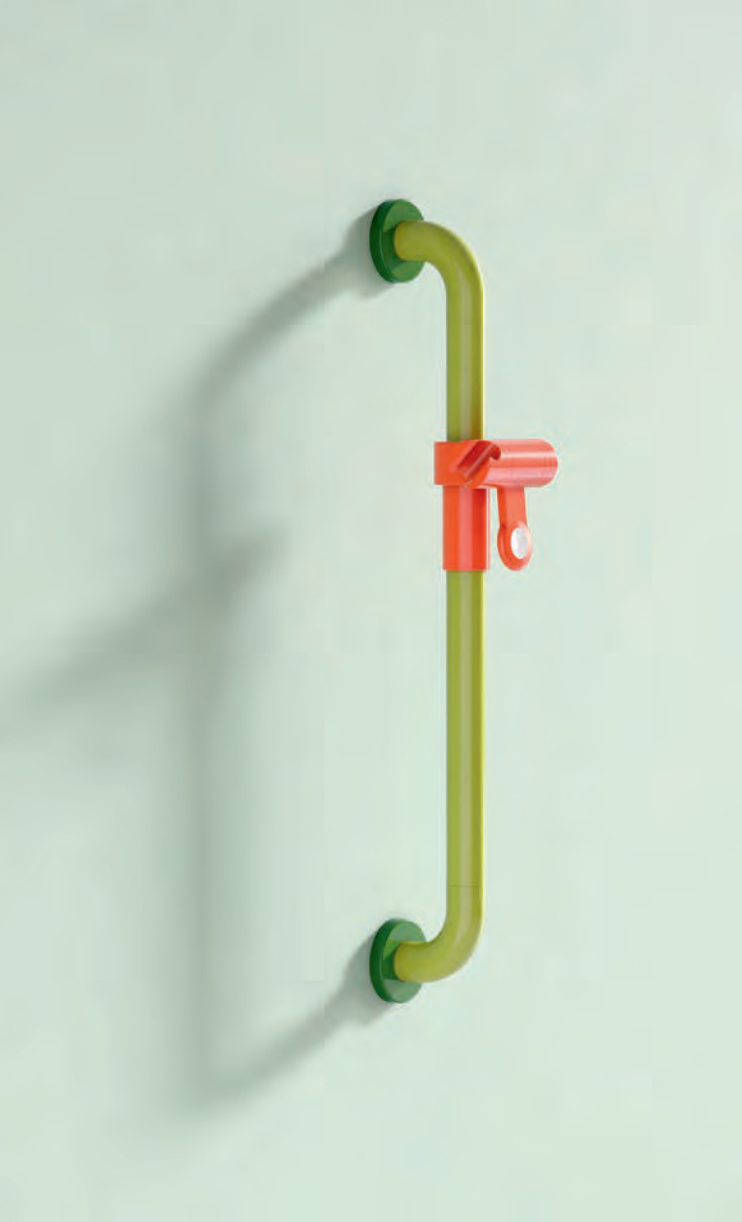


# Colour combinations

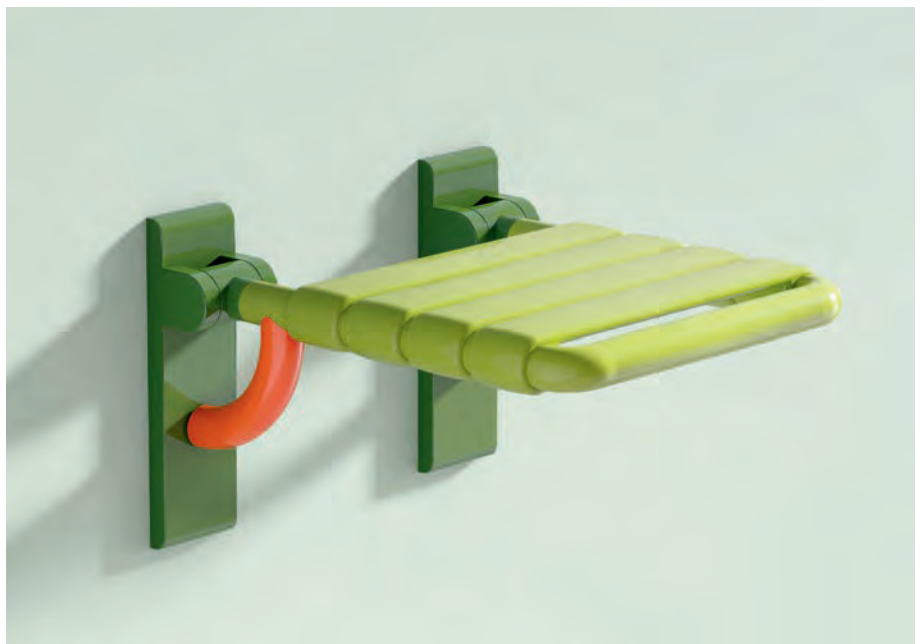
## ICONIC

Key to the design of the HEWI 477/801 range for healthcare buildings was the concept of "healing architecture". This is the idea that the way healthcare buildings are designed has an influence on the physical and mental well-being of patients, as well as family members and staff. "Healing architecture" includes the design of walls and floors, the incidence of light, the acoustics, the room shape and the furniture.





Light, bright green tones give a feeling of relaxation and harmony. Being close to nature communicates a feeling of liveliness and security, and in combination with the warm coral tone, brings a feeling of harmony. The targeted use of colour contrasts helps orientation and encourages intuitive use. Because the colourful functional element of the shower holder stands out, its function is both highlighted and its function is illustrated.



Seating and holding fixtures in the shower make everyday life easier for both children and their carers. HEWI offers accessible system solutions for sitting, supporting and gripping, that perfectly fit into any children's bathroom thanks to their minimalistic and friendly design.

# Colour combinations ICONIC

For kindergartens, day care centres and children's hospitals, HEWI offers two specifically tailored colour combinations. This new edition of a classic design is available with natural shades of Apple Green, May Green, Coral as well as Aqua Blue, Steel Blue and Apple Green, which gives an appealing feel to the environment which children perceive as warm and inviting.





Consistent design right down to the last detail. The clothes hooks from HEWI create an inviting, playful, feel-good atmosphere in matching colours to the sanitary solutions of Range 477/801.



The matt edition of the 477/801 range, offers another design alternative. The matt finish gives the sanitary room in kindergartens and children's hospitals a homely atmosphere that promotes positive learning. Outstanding aesthetics and unlimited functionality are by no means mutually exclusive. The velvety finish of the matt edition is achieved through a special finishing process resulting in a unique design in premium quality made in Germany.

# Colour combinations

## ICONIC

Especially with regard to children's independence, child-friendly furnishings in sanitary areas play an important role. A consistent, coordinated colour concept not only has a friendly effect and gives to a sense of well-being, it also makes it easier for children to find their way around.





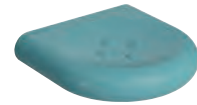
**Holder, small | Tumbler**  
477.00...100 page 24  
477.04...020 page 24



**Holder, large**  
477.00...200 page 25



**Soap dish, small**  
477.02...100 page 24



**Soap dish, large**  
477.02...200 page 25



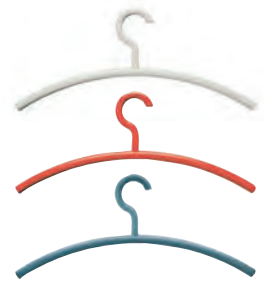
**Shelf**  
477.03...100 page 37



**Storage dish | Mirror clip**  
477.03...300 page 37  
477.01...100 page 37



**Adjustable mirror | with lighting**  
801.01...100 page 38  
801.01...400 page 38



**Coat hanger set**  
570.99...003 page 68



**Bath towel rail | Grab bar**  
477.30...100 | ...200 | ...300 page 39  
477.31...100 | ...200 page 39



**Single hook set | Double hook set**  
477.99...001 | ø 50 page 40  
477.99...004 | ø 50 page 41



**Hook set | Double hook set**  
801.99...001 | ø 40 page 42  
801.99...002 | ø 40 page 42



**Triple hook**  
477.90...050 page 42



**Toilet brush unit**  
477.20...101 page 46



**Toilet roll holder**  
477.21...100 page 47



**Spare roll holder**  
477.21...200 page 47



**Hygiene bag dispenser**  
477.06...750 page 47



**3 HEWI COLOURS**

- 99 (pure white)
- 36 (coral)
- 55 (aqua blue)



**Disinfectant/soap dispenser**  
477.06...10599 page 27

- Basic body
- Lever



**Disinfectant/soap dispenser**  
477.06...10299 | HEWI SENSORIC p. 28  
477.06...10399 | HEWI SENSORIC p. 28  
477.06...10499 | HEWI SENSORIC p. 28

- Basic body
- Frame element



**Soap dispenser, manual**  
477.06...10199 page 29

- Basic body, lever
- Frame element



**Paper towel dispenser**  
477.06...60199 page 29

- Basic body
- Frame element



**Large toilet roll holder**  
477.21...60099 page 48

- Basic body
- Frame element



**Hygiene waste bin | combination**  
477.05...20499 page 49  
477.05...20599 page 49

- Basic body, lid
- Frame element



**Hygiene waste bin | combination**  
477.05...10199 page 50  
477.05...10299 page 50

- Basic body
- Lid



**Waste paper bin | Waste bin**  
477.05...20...99 pagen 30, 31

- Basic body
- Frame element



**Hinged support rail**  
801.50...000 | 600 mm page 53, 54  
801.50...100 | 700 mm page 53, 54  
801.50...200 | 850 mm page 53, 54

- Rail
- Wall plate  Support



**Stationary support rail**  
801.50...3000 | 600 mm page 52

- Rail
- Wall plate



**Support rail**  
801.36...100... | 300 mm page 57  
801.36...130... | 600 mm page 57

- 



**L-shaped support rail**  
801.22...1... page 58

- 



**Rail with shower head holder**  
477.33...10... | 1100 mm page 58  
801.33...110... | 900 mm page 59

- Rail, roses
- Shower head holder



**L-shaped support rail with shower head holder**  
801.33.21... page 60  
801.33B21... page 61

- Rail, roses
- Shower head holder



**Rail with sidew. adjustable vertical support bar a. shower head holder**  
801.35.31... page 62  
801.35B31... page 63

- Rail, roses
- Shower head holder



**Hinged seat**  
801.51...2000 page 65  
801.51...2100 page 66

- Seat
- Wall plate  Bend



**Soap dispenser**  
477.06...110... page 26

- Holder
- Push button



**Disinfectant/soap dispenser**  
477.06...10599 page 27

- Basic body
- Lever



**Disinfectant/soap dispenser**  
477.06...10299 | HEWI SENSORIC p. 28  
477.06...10399 | HEWI SENSORIC p. 28  
477.06...10499 | HEWI SENSORIC p. 28

- Basic body
- Frame element



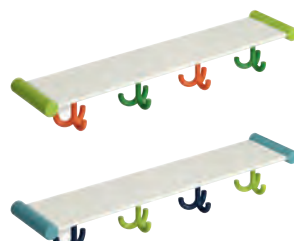
**Soap dispenser, manual**  
477.06...10199 page 29

- Basic body, lever
- Frame element



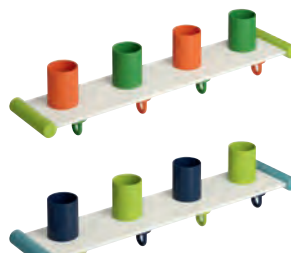
**Shelf with hooks**  
800.03...403 page 32  
800.03...413 page 32

- Holders
- Hooks



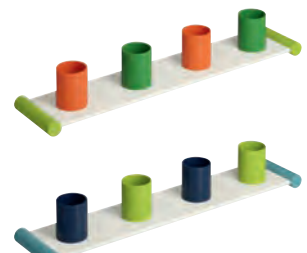
**Shelf with triple hooks**  
800.03...404 page 33  
800.03...414 page 33

- Holders
- Hooks



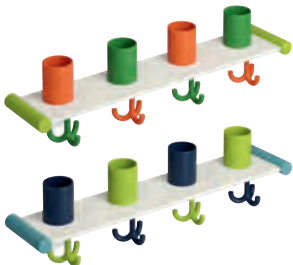
**Tumbler rack with hooks**  
800.03...400 page 34  
800.03...410 page 34

- Holders
- Tumblers, hooks



**Tumbler rack**  
800.03...401 page 35  
800.03...411 page 35

- Holders
- Tumblers



**Tumbler rack with triple hooks**  
800.03...402 page 36  
800.03...412 page 36

- Holder
- Tumblers, hooks



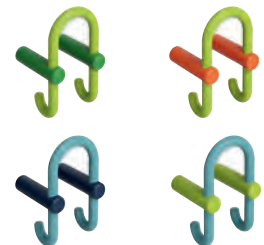
**Hook set | Double hook set**  
477.99...002 | ...003 page 40  
477.99...005 | ...006 page 41

- Rose
- Hook



**Triple hook**  
477.90...050 page 42

- 



**Double coat hook**  
801.90...03... page 43

- Hook part
- Support pins



**Toilet brush unit**  
477.20...102 page 46  
477.20...103 page 46

- Brush container
- Holder
- Brush handle



**Toilet roll holder**  
477.21...100 page 47

- 



**Spare roll holder**  
477.21...200 page 47

- 



**Hygiene bag dispenser**  
477.06...750 page 47

-



**6 HEWI COLOURS**

- 99 (pure white)
- 36 (coral)
- 74 (apple green)
- 72 (may green)
- 55 (aqua blue)
- 50 (steel blue)



**Paper towel dispenser**  
477.06...60199 page 29

- Basic body
- Frame element



**Large toilet roll holder**  
477.21...60099 page 48

- Basic body
- Frame element



**Hygiene waste bin**  
477.05...20499 page 49

- Basic body, lid
- Frame element



**Hygiene combination**  
477.05...20599 page 49

- Basic body, lid
- Frame element



**Waste paper bin | with lid**  
477.05...20199 page 30  
477.05...20299 page 30

- Basic body, lid
- Frame element



**Waste bin**  
477.05...20399 page 31

- Basic body
- Frame element



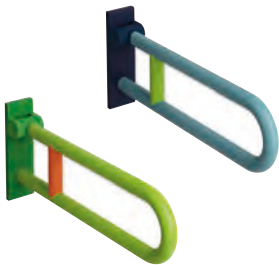
**Hygiene waste bin**  
477.05...10199 page 50

- Basic body
- Lid



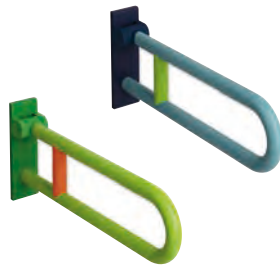
**Hygiene combination**  
477.05...10299 page 50

- Basic body
- Lid



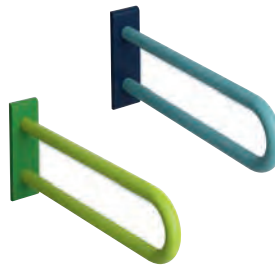
**Hinged support rail, rotatable**  
801.50...1001 | 600 mm page 53  
801.50...1002 | 600 mm page 53

- Rail
- Wall plate
- Support



**Hinged support rail**  
801.50...2001 | 600 mm page 54  
801.50...2002 | 600 mm page 54

- Rail
- Wall plate
- Support



**Stationary support rail**  
801.50...300... | 600 mm page 52

- Rail
- Wall plate



**Support rail**  
801.36...100... | 300 mm page 57  
801.36...130... | 600 mm page 57

- Rail
- Roses



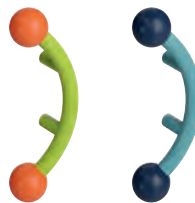
**Rail with shower head holder**  
801.33...100... | 600 mm page 59  
801.33...110... | 900 mm page 59

- Rail
- Roses
- Shower head holder



**Hinged seat**  
801.51...2001 page 65  
801.51...2002 page 65

- Seat
- Wall plate
- Bend



**Pull handle**  
550.23T.41 page 69  
550.23BT.41 page 69

- Rail
- Balls



**Coat hanger set**  
570.99...004 page 68  
570.99...005 page 68

-

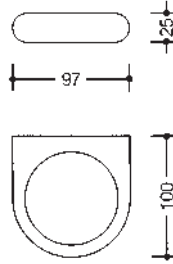
# Accessories





Item Number

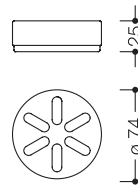
Dimensions in mm / Specification



477.00.100  
477.00B100

**HEWI Holder**

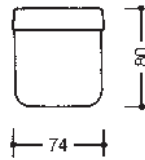
- for tumbler or soap dish insert
- 97 mm wide, 25 mm high and 100 mm deep
- insert opening  $\varnothing$  74 mm
- made of high-quality polyamide
- made of high-quality matt polyamide



477.02.01005

**HEWI Soap dish insert**

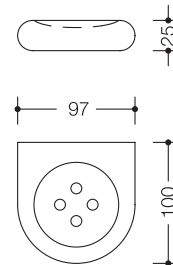
- made of opaque white glass with star-shaped nodules
- fits as insert in holder (477.00...100)
- 25 mm high,  $\varnothing$  74 mm



477.04.020  
477.04B020

**HEWI Tumbler, flat bottom**

- free-standing and fits as insert in holder (477.00...100)
- 80 mm high,  $\varnothing$  74 mm
- made of high-quality polyamide
- made of high-quality matt polyamide



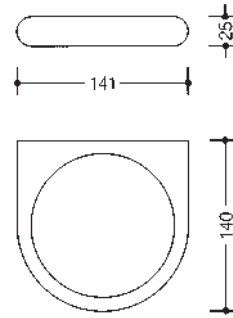
477.02.100  
477.02B100

**HEWI Soap dish**

- soap dish with nodules, locking system to prevent unauthorised removal
- 97 mm wide, 25 mm high and 100 mm deep
- made of high-quality polyamide
- made of high-quality matt polyamide

Item Number

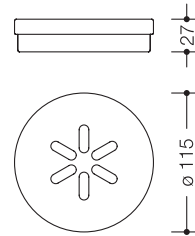
Dimensions in mm / Specification



**477.00.200**  
**477.00B200**

**HEWI Holder**

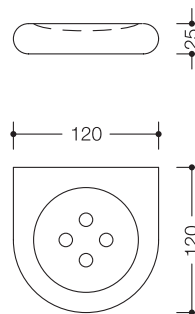
- ring shaped, wall-mounted holder for large soap dish
- 141 mm wide, 25 mm high and 140 mm deep, insert opening  $\varnothing$  115 mm
- made of high-quality polyamide
- made of high-quality matt polyamide



**477.02.02005**

**HEWI Soap dish insert**

- made of opaque white glass with star-shaped nodules
- fits as insert in large holder (477.00...200)
- 27 mm high,  $\varnothing$  115 mm



**477.02.200**  
**477.02B200**

**HEWI Soap dish**

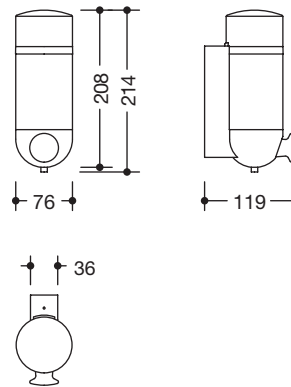
- soap dish with nodules
- locking system to prevent unauthorised removal
- 120 mm wide, 25 mm high and 120 mm deep
- made of high-quality polyamide
- made of high-quality matt polyamide

**HEWI Colours (glossy | matt)**

99 36 55

Item Number

Dimensions in mm / Specification



**HEWI Soap dispenser**

- soap dosage control by means of push-button on front
- allows one-hand operation
- concealed screw fitting to prevent unauthorised removal
- lockable container lid
- wall-mounted base to conceal drill holes to be ordered separately (477.06.E04/477.06BE04)
- 76 mm wide, 214 mm high, 119 mm deep, container ø 75 mm
- capacity 500 ml, not suitable for disinfectant!
- container and lid made of opaque white transparent synthetic material

**477.06.11005**

**made of high-quality polyamide**

- holder in HEWI colour 74 (apple green)
- push-button in HEWI colour 72 (may green)

**477.06.11015**

- holder in HEWI colour 74 (apple green)
- push-button in HEWI colour 36 (coral)

**477.06.11025**

- holder in HEWI colour 55 (aqua blue)
- push-button in HEWI colour 50 (steel blue)

**477.06.11035**

- holder in HEWI colour 55 (aqua blue)
- push-button in HEWI colour 74 (apple green)



**477.06B11005**

**made of high-quality matt polyamide**

- holder in HEWI colour 74 (apple green)
- push-button in HEWI colour 72 (may green)

**477.06B11015**

- holder in HEWI colour 74 (apple green)
- push-button in HEWI colour 36 (coral)

**477.06B11025**

- holder in HEWI colour 55 (aqua blue)
- push-button in HEWI colour 50 (steel blue)

**477.06B11035**

- holder in HEWI colour 55 (aqua blue)
- push-button in HEWI colour 74 (apple green)



**HEWI Colour combinations (glossy | matt)**

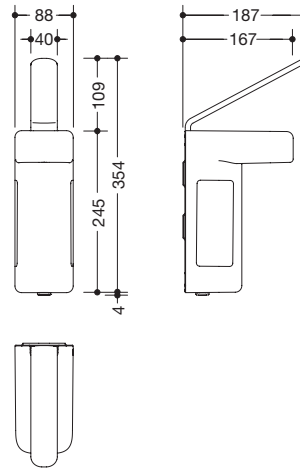
74	74	55	55
72	36	50	74

**477.06.E04**  
**477.06BE04**

**HEWI Wall-mounted base for soap dispenser 477.06.110...5**  
**HEWI Wall-mounted base for soap dispenser 477.06B110...5**

Item Number

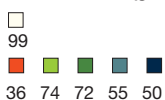
Dimensions in mm / Specification



**HEWI Disinfectant/soap dispenser**

- with viewing windows on the sides for monitoring the fill level
  - for dispensing controlled quantities of chlorine-free, alcohol-based hand disinfectants or liquid soaps
  - for 500 ml Euro standard bottles
  - the disposable bottle are easy to replace from the front
  - dispenser with long lever, lockable
  - dosing quantity adjustable in several steps: 0,7 ml, 1,0 ml, 1,2 ml, 1,5 ml (depending on the viscosity of the product)
  - dosing pump made of high-quality stainless steel
  - compatible with hygienic packaging (collapsing bottle with disposable pump)
  - dispenser and pump dishwasher safe and autoclavable up to 134 °C, 3 bar
  - 88 mm wide, 354 mm high, 187 mm deep
  - incl. 500 ml empty container for free refilling
  - for wall mounting
  - basic body made of high-quality polyamide in HEWI colour 99 (pure white)
  - including non-corrosive HEWI fixing material
- 477.06.10599**
- lever made of high-quality polyamide in HEWI colours 50 (steel blue), 55 (aqua blue), 72 (may green), 74 (apple green) and 36 (coral)
- 477.06B10599**
- lever made of high-quality matt polyamide in HEWI colours 50 (steel blue), 55 (aqua blue), 72 (may green), 74 (apple green) and 36 (coral)

**HEWI Colours (glossy | matt)**



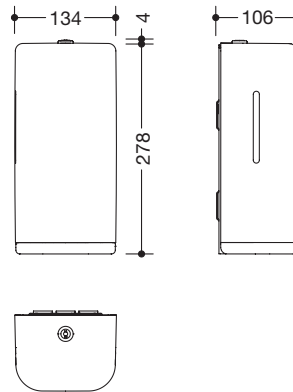
Detailed information about the spare parts can be found here:  
[www.hewi.com/en/spare-parts](http://www.hewi.com/en/spare-parts)

Item Number

Dimensions in mm / Specification



**HEWI SENSORIC**



**HEWI SENSORIC Liquid soap dispenser**

- to be filled with standard liquid soap
- with inner container for free filling, capacity 500 ml
- inner container can be removed for cleaning
- side level indicator
- non-contact soap dispensing
- enclosed sticker to identify the dispenser (if required to distinguish between soap dispenser, foam soap dispenser and disinfectant dispenser)
- illumination of the output area when the sensor is activated (blue light)
- with battery change indicator
- locking system as protection against misuse
- maintenance-free
- 134 mm wide, 278 mm high and 106 mm deep
- for wall mounting
- basic body made of high-quality polyamide in HEWI colour 99 (pure white)
- batteries (AA 1,5 V/4 pcs.) not included in delivery

**477.06.10299**

- frame element / opening made of high-quality polyamide in HEWI colours 50 (steel blue), 55 (aqua blue), 72 (may green), 74 (apple green) and 36 (coral)

**477.06B10299**

- frame element / opening made of high-quality matt polyamide in HEWI colours 50 (steel blue), 55 (aqua blue), 72 (may green), 74 (apple green) and 36 (coral)

**HEWI SENSORIC Foam soap dispenser**

- do., to be filled with standard foam soap
- non-contact foam soap dispensing

**477.06.10399**

- frame element / opening made of high-quality polyamide in HEWI colours 50 (steel blue), 55 (aqua blue), 72 (may green), 74 (apple green) and 36 (coral)

**477.06B10399**

- frame element / opening made of high-quality matt polyamide in HEWI colours 50 (steel blue), 55 (aqua blue), 72 (may green), 74 (apple green) and 36 (coral)

**HEWI SENSORIC Disinfectant dispenser**

- do., to be filled with standard disinfectant
- non-contact disinfectant dispensing

**477.06.10499**

- frame element / opening made of high-quality polyamide in HEWI colours 50 (steel blue), 55 (aqua blue), 72 (may green), 74 (apple green) and 36 (coral)

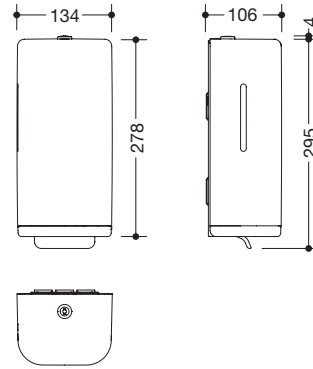
**477.06B10499**

- frame element / opening made of high-quality matt polyamide in HEWI colours 50 (steel blue), 55 (aqua blue), 72 (may green), 74 (apple green) and 36 (coral)



Item Number

Dimensions in mm / Specification



**HEWI Soap dispenser**

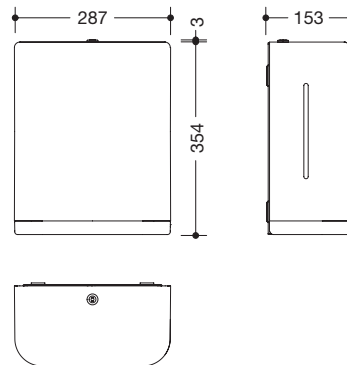
- with inner container for free filling, capacity 600 ml
- inner container can be removed for cleaning
- side level indicator
- with lever for manual soap dispensing
- locking system as protection against misuse
- basic body / lever made of high-quality polyamide in HEWI colour 99 (pure white)
- 134 mm wide, 278 mm high and 106 mm deep
- for wall mounting
- including non-corrosive HEWI fixing material

**477.06.10199**

- frame element made of high-quality polyamide in HEWI colours 50 (steel blue), 55 (aqua blue), 72 (may green), 74 (apple green) and 36 (coral)

**477.06B10199**

- frame element made of high-quality matt polyamide in HEWI colours 50 (steel blue), 55 (aqua blue), 72 (may green), 74 (apple green) and 36 (coral)



**HEWI Paper towel dispenser**

- to hold standard paper towels with different folds in the width 235 - 250 mm and folded length / depth of 80 - 110 mm (HEWI recommends paper towels with Z-fold)
- capacity approx. 300 - 450 paper towels, side level indicator
- locking system as protection against misuse
- basic body made of high-quality polyamide in HEWI colour 99 (pure white)
- 287 mm wide, 354 mm high and 153 mm deep
- for wall mounting
- including non-corrosive HEWI fixing material

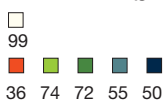
**477.06.60199**

- frame element made of high-quality polyamide in HEWI colours 50 (steel blue), 55 (aqua blue), 72 (may green), 74 (apple green) and 36 (coral)

**477.06B60199**

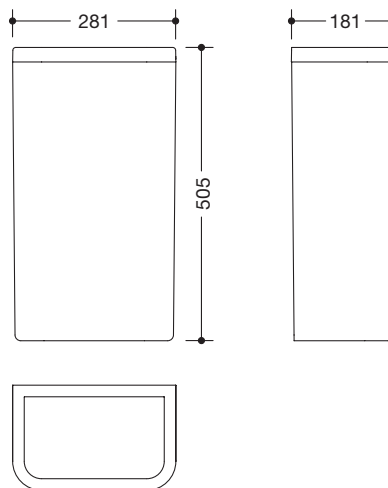
- frame element made of high-quality matt polyamide in HEWI colours 50 (steel blue), 55 (aqua blue), 72 (may green), 74 (apple green) and 36 (coral)

**HEWI Colours (glossy | matt)**



Item Number

Dimensions in mm / Specification



**HEWI Waste paper bin**

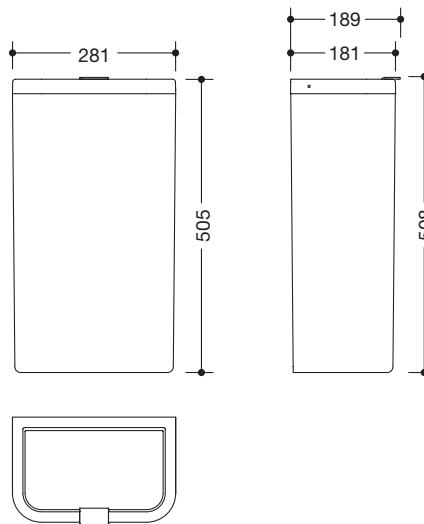
- capacity approx. 25 l
- invisible, integrated bag holder
- 281 mm wide, 505 mm high and 181 mm deep
- for wall mounting
- basic body made of high-quality polyamide in HEWI colour 99 (pure white)
- including non-corrosive HEWI fixing material

**477.05.20199**

- frame element / opening made of high-quality polyamide in HEWI colours 50 (steel blue), 55 (aqua blue), 72 (may green), 74 (apple green) and 36 (coral)

**477.05B20199**

- frame element / opening made of high-quality matt polyamide in HEWI colours 50 (steel blue), 55 (aqua blue), 72 (may green), 74 (apple green) and 36 (coral)



**HEWI Waste paper bin**

- do., with lid with lifting flap
- basic body / lid made of high-quality polyamide in HEWI colour 99 (pure white)

**477.05.20299**

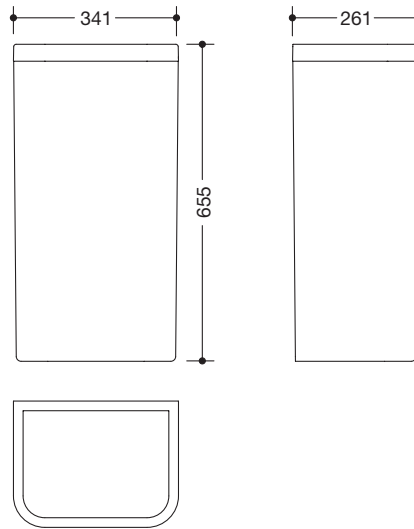
- frame element / opening made of high-quality polyamide in HEWI colours 50 (steel blue), 55 (aqua blue), 72 (may green), 74 (apple green) and 36 (coral)

**477.05B20299**

- frame element / opening made of high-quality matt polyamide in HEWI colours 50 (steel blue), 55 (aqua blue), 72 (may green), 74 (apple green) and 36 (coral)

Item Number

Dimensions in mm / Specification



**HEWI Waste bin**

- capacity approx. 60 l
- invisible, integrated bag holder
- 341 mm wide, 655 mm high and 261 mm deep
- for wall mounting and as a free-standing model
- basic body made of high-quality polyamide in HEWI colour 99 (pure white)
- including non-corrosive HEWI fixing material

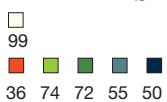
**477.05.20399**

- frame element / opening made of high-quality polyamide in HEWI colours 50 (steel blue), 55 (aqua blue), 72 (may green), 74 (apple green) and 36 (coral)

**477.05B20399**

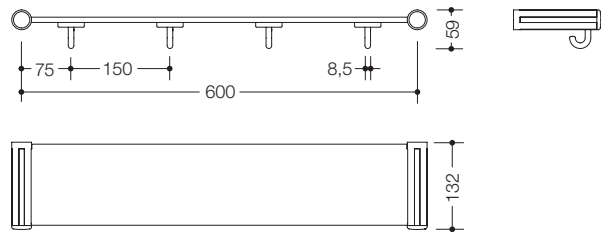
- frame element / opening made of high-quality matt polyamide in HEWI colours 50 (steel blue), 55 (aqua blue), 72 (may green), 74 (apple green) and 36 (coral)

**HEWI Colours (glossy | matt)**



Item Number

Dimensions in mm / Specification

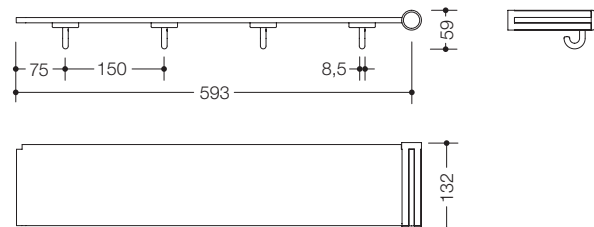
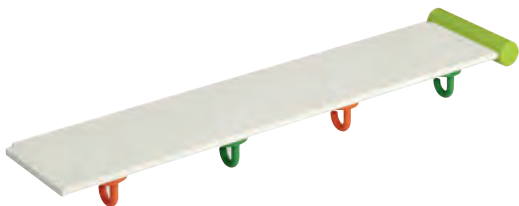


800.03.403  
800.03B403

**HEWI Shelf with hooks, 4 places**

- holders in HEWI colours 74 (apple green) or 55 (aqua blue)
- hooks in HEWI colours 72 (may green), 74 (apple green), 50 (steel blue) or 36 (coral)
- rack shelf made of robust HPL, surface: silky white, with slight texture
- distance between places: 150 mm, can be retrofitted
- corresponds to the specifications of DGUV Guidelines 82 for children's day care facilities („Child daycare centres“)
- max. static load 20 kg
- 630 mm wide (c to c 600 mm), 59 mm high, 132 mm deep
- to increase the number of places, use HEWI extension kit 800.03...413
- holders and hooks made of high-quality polyamide
- holders and hooks made of high-quality matt polyamide

Please advise the desired colour combination when ordering.



800.03.413  
800.03B413

**HEWI Extension kit shelf with hooks, 4 places**

- for retrofitting the shelf with hooks 800.03...403 to add 4 places
- holder in HEWI colours 74 (apple green) or 55 (aqua blue)
- hooks in HEWI colours 72 (may green), 74 (apple green), 50 (steel blue) or 36 (coral)
- rack shelf made of robust HPL, surface: silky white, with slight texture
- distance between places: 150 mm
- corresponds to the specifications of DGUV Guidelines 82 for children's day care facilities („Child daycare centres“)
- max. static load 20 kg
- can be retrofitted
- 608 mm wide, 59 mm high, 132 mm deep
- holder and hooks made of high-quality polyamide
- holder and hooks made of high-quality matt polyamide

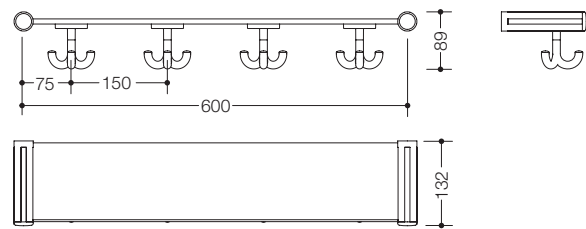
Please advise the desired colour combination when ordering.

477.90.040  
477.90B040

**HEWI Hook**  
**HEWI Hook, matt**

Item Number

Dimensions in mm / Specification

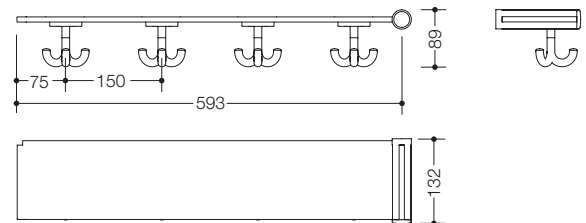


800.03.404  
800.03B404

**HEWI Shelf with triple hooks, 4 places**

- holders in HEWI colours 74 (apple green) or 55 (aqua blue)
- triple hooks in HEWI colours 72 (may green), 74 (apple green), 50 (steel blue) or 36 (coral)
- rack shelf made of robust HPL, surface: silky white, with slight texture
- distance between places: 150 mm, can be retrofitted
- corresponds to the specifications of DGUV Guidelines 82 for children's day care facilities („Child daycare centres“)
- max. static load 20 kg
- 630 mm wide (c to c 600 mm), 89 mm high, 132 mm deep
- to increase the number of places, use HEWI extension kit 800.03...414
- holders and triple hooks made of high-quality polyamide
- holders and triple hooks made of high-quality matt polyamide

Please advise the desired colour combination when ordering.



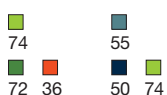
800.03.414  
800.03B414

**HEWI Extension kit shelf with triple hooks, 4 places**

- for retrofitting the shelf with triple hooks 800.03...404 to add 4 places
- holder in HEWI colours 74 (apple green) or 55 (aqua blue)
- triple hook in HEWI colours 72 (may green), 74 (apple green), 50 (steel blue) or 36 (coral)
- rack shelf made of robust HPL, surface: silky white, with slight texture
- distance between places: 150 mm
- corresponds to the specifications of DGUV Guidelines 82 for children's day care facilities („Child daycare centres“)
- max. static load 20 kg
- can be retrofitted
- 608 mm wide, 89 mm high, 132 mm deep
- holder and triple hooks made of high-quality polyamide
- holder and triple hooks made of high-quality matt polyamide

Please advise the desired colour combination when ordering.

**HEWI Colour combinations (glossy | matt)**



477.90.054  
477.90B054

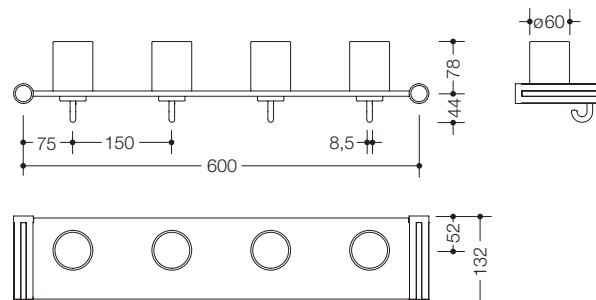
**HEWI Triple hook**  
**HEWI Triple hook, matt**

Item Number

Dimensions in mm / Specification



800.03.400  
800.03B400



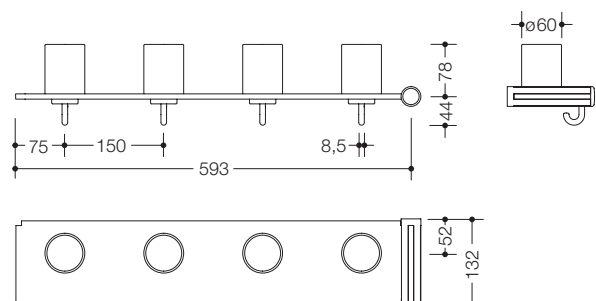
**HEWI Tumbler rack with hooks, 4 places**

- holders in HEWI colours 74 (apple green) or 55 (aqua blue)
- tumblers and hooks in HEWI colours 72 (may green), 74 (apple green), 50 (steel blue) or 36 (coral)
- rack shelf made of robust HPL, surface: silky white, with slight texture
- distance between places: 150 mm
- corresponds to the specifications of DGUV Guidelines 82 for children's day care facilities („Child daycare centres“)
- max. static load 20 kg
- can be retrofitted
- 630 mm wide (c to c 600 mm), 122 mm high, 132 mm deep
- to increase the number of places, use HEWI extension kit 800.03...410
- for individualisation, additional HEWI pictogram sheets available as blank version for labelling 33.1772E or with motifs 33.1772A, 33.1772B, 33.1772C, 33.1772D (to be ordered separately)
- holders, tumblers and hooks made of high-quality polyamide
- holders, tumblers and hooks made of high-quality matt polyamide

Please advise the desired colour combination when ordering.



800.03.410  
800.03B410



**HEWI Extension kit tumbler rack with hooks, 4 places**

- for retrofitting the tumbler rack with hooks 800.03...400 to add 4 places
- holder in HEWI colours 74 (apple green) or 55 (aqua blue)
- tumblers and hooks in HEWI colours 72 (may green), 74 (apple green), 50 (steel blue) or 36 (coral)
- rack shelf made of robust HPL, surface: silky white, with slight texture
- distance between places: 150 mm, can be retrofitted
- corresponds to the specifications of DGUV Guidelines 82 for children's day care facilities („Child daycare centres“)
- max. static load 20 kg
- 608 mm wide, 122 mm high, 132 mm deep
- for individualisation, additional HEWI pictogram sheets available as blank version for labelling 33.1772E or with motifs 33.1772A, 33.1772B, 33.1772C, 33.1772D (to be ordered separately)
- holder, tumblers and hooks made of high-quality polyamide
- holder, tumblers and hooks made of high-quality matt polyamide

Please advise the desired colour combination when ordering.

41382  
72320  
477.90.040  
477.90B040  
33.1772...

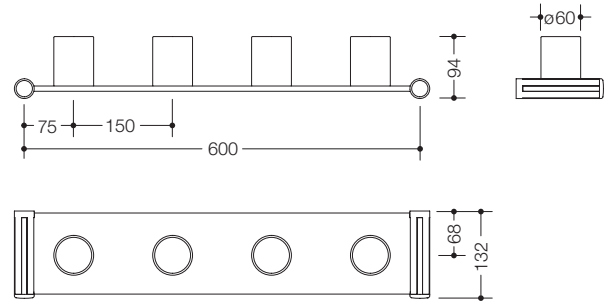
**HEWI Tumbler**  
**HEWI Tumbler, matt**  
**HEWI Hook**  
**HEWI Hook, matt**  
**HEWI Pictograms** see page 565

Item Number

Dimensions in mm / Specification



800.03.401  
800.03B401



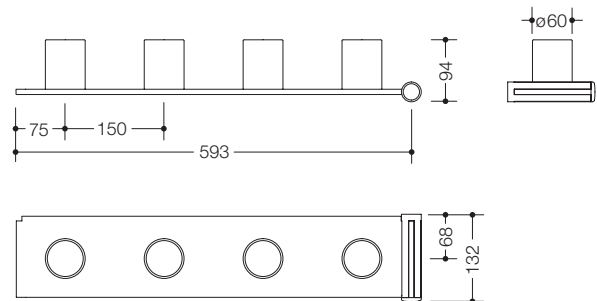
**HEWI Tumbler rack, 4 places**

- holders in HEWI colours 74 (apple green) or 55 (aqua blue)
- tumblers in HEWI colours 72 (may green), 74 (apple green), 50 (steel blue) or 36 (coral)
- rack shelf made of robust HPL, surface: silky white, with slight texture
- distance between places: 150 mm, can be retrofitted
- corresponds to the specifications of DGUV Guidelines 82 for children's day care facilities („Child daycare centres“)
- max. static load 20 kg
- 630 mm wide (c to c 600 mm), 94 mm high, 132 mm deep
- to increase the number of places, use HEWI extension kit 800.03...411
- for individualisation, additional HEWI pictogram sheets available as blank version for labelling 33.1772E or with motifs 33.1772A, 33.1772B, 33.1772C, 33.1772D (to be ordered separately)
- holders and tumblers made of high-quality polyamide
- holders and tumblers made of high-quality matt polyamide

Please advise the desired colour combination when ordering.



800.03.411  
800.03B411

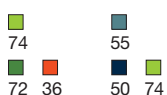


**HEWI Extension kit tumbler rack, 4 places**

- for retrofitting the tumbler rack 800.03...401 to add 4 places
- holder in HEWI colours 74 (apple green) or 55 (aqua blue)
- tumblers in HEWI colours 72 (may green), 74 (apple green), 50 (steel blue) or 36 (coral)
- rack shelf made of robust HPL, surface: silky white, with slight texture
- distance between places: 150 mm, can be retrofitted
- corresponds to the specifications of DGUV Guidelines 82 for children's day care facilities („Child daycare centres“)
- max. static load 20 kg
- 608 mm wide, 94 mm high, 132 mm deep
- for individualisation, additional HEWI pictogram sheets available as blank version for labelling 33.1772E or with motifs 33.1772A, 33.1772B, 33.1772C, 33.1772D (to be ordered separately)
- holder and tumblers made of high-quality polyamide
- holder and tumblers made of high-quality matt polyamide

Please advise the desired colour combination when ordering.

**HEWI Colour combinations (glossy | matt)**

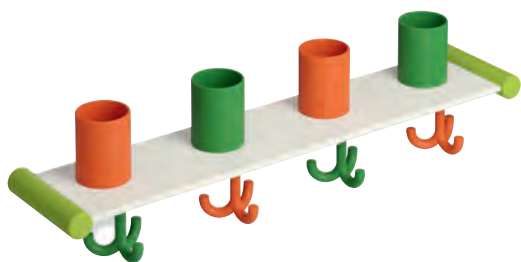


41382  
72320  
33.1772...

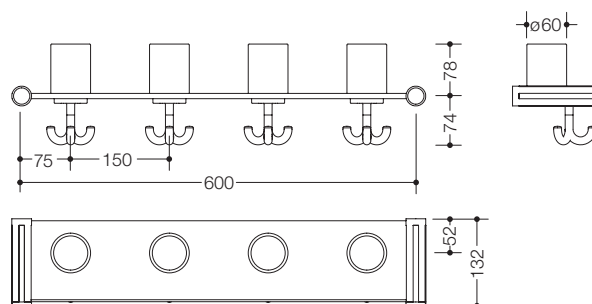
**HEWI Tumbler**  
**HEWI Tumbler, matt**  
**HEWI Pictograms** see page 565

Item Number

Dimensions in mm / Specification



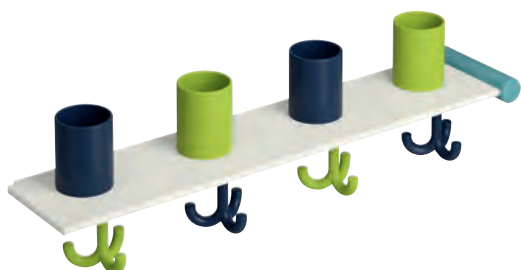
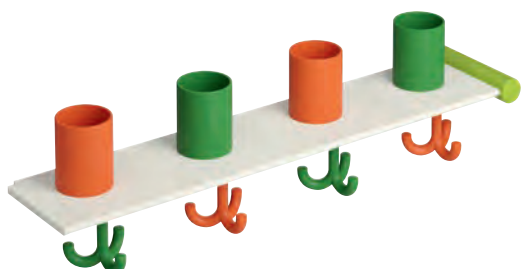
800.03.402  
800.03B402



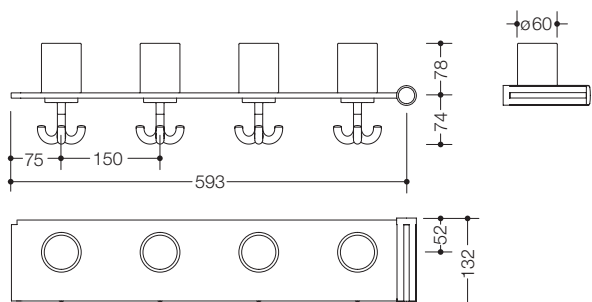
**HEWI Tumbler rack with triple hooks, 4 places**

- holders in HEWI colours 74 (apple green) or 55 (aqua blue)
- tumblers and hooks in HEWI colours 72 (may green), 74 (apple green), 50 (steel blue) or 36 (coral)
- rack shelf made of robust HPL, surface: silky white, with slight texture
- distance between places: 150 mm, can be retrofitted
- corresponds to the specifications of DGUV Guidelines 82 for children's day care facilities („Child daycare centres“)
- max. static load 20 kg
- 630 mm wide (c to c 600 mm), 152 mm high, 132 mm deep
- to increase the number of places, use HEWI extension kit 800.03...412
- for individualisation, additional HEWI pictogram sheets available as blank version for labelling 33.1772E or with motifs 33.1772A, 33.1772B, 33.1772C, 33.1772D (to be ordered separately)
- holders, tumblers and hooks made of high-quality polyamide
- holders, tumblers and hooks made of high-quality matt polyamide

Please advise the desired colour combination when ordering.



800.03.412  
800.03B412



**HEWI Extension kit tumbler rack with triple hooks, 4 places**

- for retrofitting the tumbler rack with triple hooks 800.03...402 to add 4 places
- holder in HEWI colours 74 (apple green) or 55 (aqua blue)
- tumblers and triple hooks in HEWI colours 72 (may green), 74 (apple green), 50 (steel blue) or 36 (coral)
- rack shelf made of robust HPL, surface: silky white, with slight texture
- distance between places: 150 mm, can be retrofitted
- corresponds to the specifications of DGUV Guidelines 82 for children's day care facilities („Child daycare centres“)
- max. static load 20 kg
- 608 mm wide, 152 mm high, 132 mm deep
- for individualisation, additional HEWI pictogram sheets available as blank version for labelling 33.1772E or with motifs 33.1772A, 33.1772B, 33.1772C, 33.1772D (to be ordered separately)
- holder, tumblers and hooks made of high-quality polyamide
- holder, tumblers and hooks made of high-quality matt polyamide

Please advise the desired colour combination when ordering.

**HEWI Colour combinations (glossy | matt)**

<span style="color: green;">■</span> 74	<span style="color: blue;">■</span> 55
<span style="color: green;">■</span> 72	<span style="color: blue;">■</span> 50
<span style="color: red;">■</span> 36	<span style="color: green;">■</span> 74

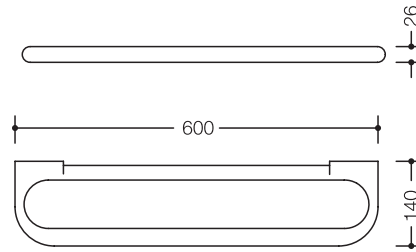
41382  
72320  
477.90.054  
477.90B054  
33.1772...

**HEWI Tumbler**  
**HEWI Tumbler, matt**  
**HEWI Triple hook**  
**HEWI Triple hook, matt**  
**HEWI Pictograms** see page 565



Item Number

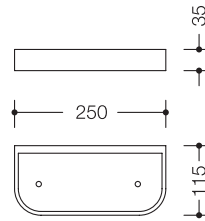
Dimensions in mm / Specification



**477.03.100**  
**477.03B100**

**HEWI Shelf**

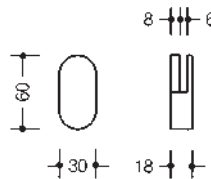
- locking system to prevent unauthorised removal
- 600 mm wide, 26 mm high and 140 mm deep
- including non-corrosive HEWI fixing material
- made of high-quality polyamide in HEWI colour 99 (pure white)
- made of high-quality matt polyamide in HEWI colour 99 (pure white)



**477.03.300**  
**477.03B300**

**HEWI Storage dish**

- elongated dish with flat bottom and two drain holes
- fits on wall in wall-mounted holder
- removable, 250 mm wide, 35 mm high and 115 mm deep
- made of high-quality polyamide in HEWI colours 99 (pure white), 55 (aqua blue) and 36 (coral)
- made of high-quality matt polyamide in HEWI colours 99 (pure white), 55 (aqua blue) and 36 (coral)



**477.01.100**  
**477.01B100**  
  
**41939**  
**68557**

**HEWI Mirror clip**

- flat mirror clip, to fit mirrors 6 mm thick
- for combination with 477.01...010 and 477.01...020
- concealed screw fitting to prevent unauthorised removal
- 30 mm wide, 60 mm high and 18 mm deep
- supplied per pair
- made of high-quality polyamide in HEWI colours 99 (pure white), 55 (aqua blue) and 36 (coral)
- made of high-quality matt polyamide in HEWI colours 99 (pure white), 55 (aqua blue) and 36 (coral)

**HEWI Extension piece**  
**HEWI Extension piece, matt**

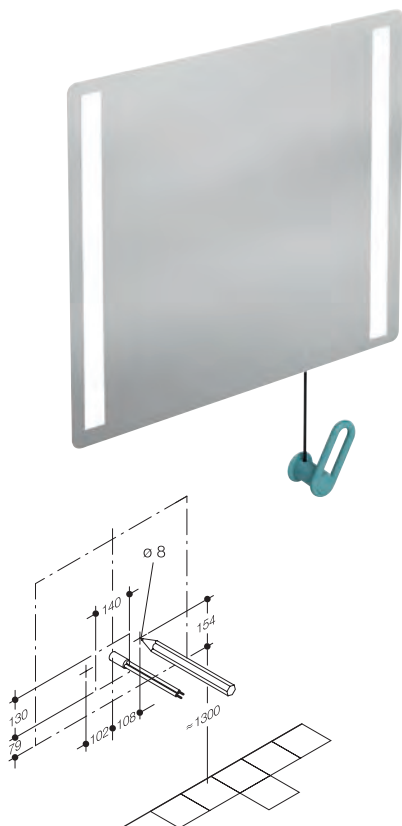
**HEWI Colours (glossy | matt)**



Detailed information about the spare parts can be found here:  
[www.hewi.com/en/spare-parts](http://www.hewi.com/en/spare-parts)

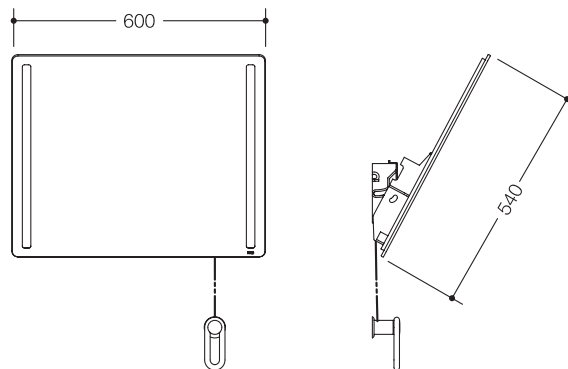
Item Number

Dimensions in mm / Specification



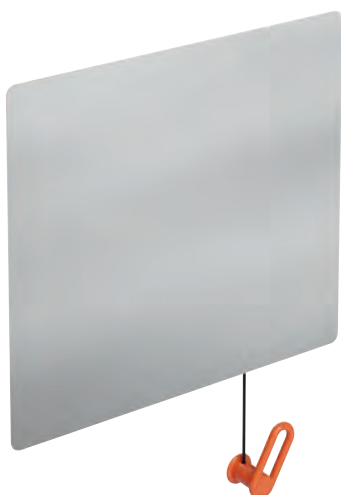
Installation and wiring instructions

801.01.400  
801.01B400



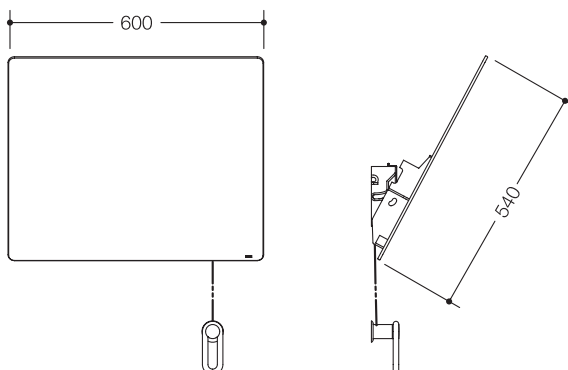
**HEWI LED Adjustable mirror, basic**

- rectangular, illuminated laminated glass mirror with sanded edges, integrated shatter protection and integrated LED lights on the side
- mirror adjustable by max. 28° using cranked cord control and therefore usable in standing or sitting position
- for wall mounting, direct connection 200-240 V
- with rope pulley for pre-wall installation
- with two high-quality LED aluminum light profiles attached to the back
- durable LED in light colour: natural white, approx. 4000 Kelvin, total output approx. 9,6 watt
- LED and ballast are protected, protection class II, rating IP 44
- mirror 600 mm wide, 540 mm high and 6 mm thick
- energy efficiency class A++, A+, A acc. to ordinance (EU) 874/2012
- holding element/rotating handle made of high-quality polyamide
- holding element/rotating handle made of high-quality matt polyamide



Installation and wiring instructions see above

801.01.100  
801.01B100



**HEWI Adjustable mirror**

- rectangular plate glass mirror with rounded edges and integrated splinter protection foil
- mirror adjustable by max. 28° using cranked cord control and therefore usable in standing or sitting position
- for wall mounting, for prewall mounting with cord re-routing
- 600 mm wide, 540 mm high and 6 mm dick, mirror: crystal glass
- holding element/rotating handle made of high-quality polyamide
- holding element/rotating handle made of high-quality matt polyamide

**HEWI Colours (glossy | matt)**

□ ■ ■  
99 36 55

21755  
54436  
68559  
25244  
68555

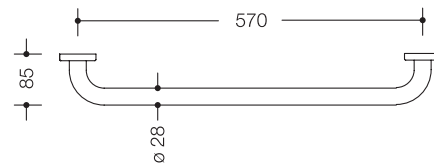
**HEWI Plate glass mirror**  
**HEWI Cord re-routing**  
**HEWI Cord re-routing, matt**  
**HEWI Rotating handle**  
**HEWI Rotating handle, matt**

Item Number

Dimensions in mm / Specification



**477.30.100**  
**477.30B100**

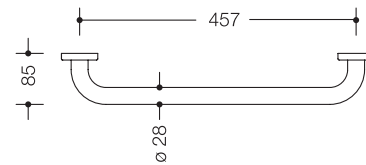


**HEWI Bath towel rail**

- 570 mm wide (c to c), 85 mm deep,  $\varnothing$  28 mm, roses  $\varnothing$  60 mm
- made of high-quality polyamide
- made of high-quality matt polyamide



**477.30.200**  
**477.30B200**

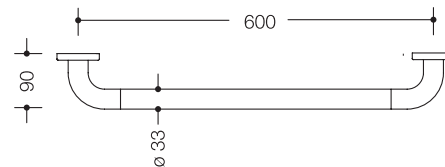


**HEWI Bath towel rail**

- 457 mm wide (c to c), 85 mm deep,  $\varnothing$  28 mm, roses  $\varnothing$  60 mm
- made of high-quality polyamide
- made of high-quality matt polyamide



**477.30.300**  
**477.30B300**

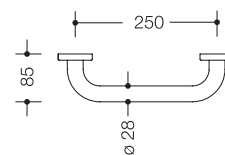


**HEWI Bath towel rail**

- with corrosion-resistant steel insert
- 600 mm wide (c to c), 90 mm deep,  $\varnothing$  33 mm, roses  $\varnothing$  70 mm
- made of high-quality polyamide
- made of high-quality matt polyamide



**477.31.100**  
**477.31B100**

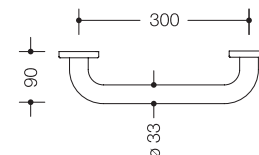


**HEWI Grab bar**

- 250 mm wide (c to c), 85 mm deep,  $\varnothing$  28 mm, roses  $\varnothing$  60 mm
- made of high-quality polyamide
- made of high-quality matt polyamide



**477.31.200**  
**477.31B200**



**HEWI Grab bar or towel rail**

- 300 mm wide (c to c), 90 mm deep,  $\varnothing$  33 mm, roses  $\varnothing$  70 mm
- made of high-quality polyamide
- made of high-quality matt polyamide

**HEWI Colours (glossy | matt)**

□  
99

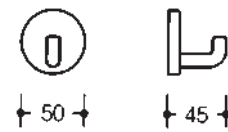
Detailed information about the spare parts can be found here:  
[www.hewi.com/en/spare-parts](http://www.hewi.com/en/spare-parts)

Item Number

Dimensions in mm / Specification



477.99.001



**HEWI Single hook set**

- concealed screw fitting to prevent unauthorised removal
- 45 mm deep, rose ø 50 mm
- packing unit 3 pieces (different colours)

- made of high-quality polyamide
- rose in HEWI colour 99 (pure white), hook part in HEWI colour 36 (coral)
- rose in HEWI colour 36 (coral), hook part in HEWI colour 55 (aqua blue)
- rose in HEWI colour 55 (aqua blue), hook part in HEWI colour 99 (pure w.)



477.99B001

- made of high-quality matt polyamide
- rose in HEWI colour 99 (pure white), hook part in HEWI colour 36 (coral)
- rose in HEWI colour 36 (coral), hook part in HEWI colour 55 (aqua blue)
- rose in HEWI colour 55 (aqua blue), hook part in HEWI colour 99 (pure w.)



477.99.002

- made of high-quality polyamide
- rose in HEWI colour 74 (apple green), hook part in HEWI colour 36 (coral)
- rose in HEWI colour 72 (may green), hook part in HEWI colour 74 (apple g.)
- rose in HEWI colour 36 (coral), hook part in HEWI colour 72 (may green)

477.99B002

- made of high-quality matt polyamide
- rose in HEWI colour 74 (apple green), hook part in HEWI colour 36 (coral)
- rose in HEWI colour 72 (may green), hook part in HEWI colour 74 (apple g.)
- rose in HEWI colour 36 (coral), hook part in HEWI colour 72 (may green)



477.99.003

- made of high-quality polyamide
- rose in HEWI colour 55 (aqua blue), hook part in HEWI colour 74 (apple g.)
- rose in HEWI colour 50 (steel blue), hook part in HEWI colour 55 (aqua b.)
- rose in HEWI colour 74 (apple green), hook part in HEWI colour 50 (steel.)

477.99B003

- made of high-quality matt polyamide
- rose in HEWI colour 55 (aqua blue), hook part in HEWI colour 74 (apple g.)
- rose in HEWI colour 50 (steel blue), hook part in HEWI colour 55 (aqua b.)
- rose in HEWI colour 74 (apple green), hook part in HEWI colour 50 (steel.)

Supplied without fixing material.

Item Number

Dimensions in mm / Specification



**477.99.004**

**HEWI Double hook set**

- concealed screw fitting to prevent unauthorised removal
- 44 mm deep, rose  $\varnothing$  50 mm
- packing unit 3 pieces (different colours)

- made of high-quality polyamide
- rose in HEWI colour 99 (pure white), hook part in HEWI colour 36 (coral)
- rose in HEWI colour 36 (coral), hook part in HEWI colour 55 (aqua blue)
- rose in HEWI colour 55 (aqua blue), hook part in HEWI colour 99 (pure w.)

**477.99B004**



- made of high-quality matt polyamide
- rose in HEWI colour 99 (pure white), hook part in HEWI colour 36 (coral)
- rose in HEWI colour 36 (coral), hook part in HEWI colour 55 (aqua blue)
- rose in HEWI colour 55 (aqua blue), hook part in HEWI colour 99 (pure w.)

**477.99.005**

- made of high-quality polyamide
- rose in HEWI colour 74 (apple green), hook part in HEWI colour 36 (coral)
- rose in HEWI colour 72 (may green), hook part in HEWI colour 74 (apple g.)
- rose in HEWI colour 36 (coral), hook part in HEWI colour 72 (may green)

**477.99B005**

- made of high-quality matt polyamide
- rose in HEWI colour 74 (apple green), hook part in HEWI colour 36 (coral)
- rose in HEWI colour 72 (may green), hook part in HEWI colour 74 (apple g.)
- rose in HEWI colour 36 (coral), hook part in HEWI colour 72 (may green)

**477.99.006**



- made of high-quality polyamide
- rose in HEWI colour 55 (aqua blue), hook part in HEWI colour 74 (apple g.)
- rose in HEWI colour 50 (steel blue), hook part in HEWI colour 55 (aqua b.)
- rose in HEWI colour 74 (apple green), hook part in HEWI colour 50 (steel.)

**477.99B006**

- made of high-quality matt polyamide
- rose in HEWI colour 55 (aqua blue), hook part in HEWI colour 74 (apple g.)
- rose in HEWI colour 50 (steel blue), hook part in HEWI colour 55 (aqua b.)
- rose in HEWI colour 74 (apple green), hook part in HEWI colour 50 (steel.)

**HEWI Colour combinations (glossy | matt)**



Supplied without fixing material.

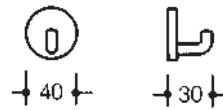
Item Number

Dimensions in mm / Specification



801.99.001

801.99B001



**HEWI Hook set**

- hook with rose fixing
- concealed screw fitting to prevent unauthorised removal
- 30 mm deep, rose ø 40 mm
- packing unit 3 pieces (different colours)

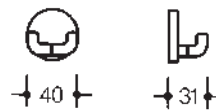
- made of high-quality polyamide
- rose in HEWI colour 99 (pure white), hook part in HEWI colour 36 (coral)
- rose in HEWI colour 36 (coral), hook part in HEWI colour 55 (aqua blue)
- rose in HEWI colour 55 (aqua blue), hook part in HEWI colour 99 (pure w.)

- made of high-quality matt polyamide
- rose in HEWI colour 99 (pure white), hook part in HEWI colour 36 (coral)
- rose in HEWI colour 36 (coral), hook part in HEWI colour 55 (aqua blue)
- rose in HEWI colour 55 (aqua blue), hook part in HEWI colour 99 (pure w.)



801.99.002

801.99B002



**HEWI Double hook set**

- double hook with rose fixing
- concealed screw fitting to prevent unauthorised removal
- 31 mm deep, rose ø 40 mm
- packing unit 3 pieces (different colours)

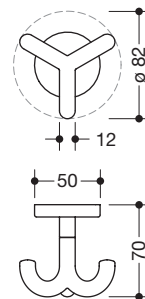
- made of high-quality polyamide
- rose in HEWI colour 99 (pure white), hook part in HEWI colour 36 (coral)
- rose in HEWI colour 36 (coral), hook part in HEWI colour 55 (aqua blue)
- rose in HEWI colour 55 (aqua blue), hook part in HEWI colour 99 (pure w.)

- made of high-quality matt polyamide
- rose in HEWI colour 99 (pure white), hook part in HEWI colour 36 (coral)
- rose in HEWI colour 36 (coral), hook part in HEWI colour 55 (aqua blue)
- rose in HEWI colour 55 (aqua blue), hook part in HEWI colour 99 (pure w.)



477.90.050\*

477.90B050\*



**HEWI Triple hook**

- rotatable, for screwing on from underneath
- 70 mm high, rose ø 50 mm

- made of high-quality polyamide
- made of high-quality matt polyamide

HEWI Colour combination (glossy | matt)



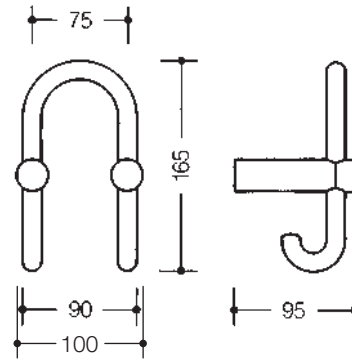
\*HEWI Colours (glossy | matt)



Supplied without fixing material.

Item Number

Dimensions in mm / Specification



**HEWI Double coat hook**

- two polyamide support pins with a stirrup-shaped hook
- reduced risk of injury as hooks face inwards towards wall
- 100 mm wide, 165 mm high and 95 mm deep, c to c 75 mm

**made of high-quality polyamide**

- hook part in HEWI colour 74 (apple green)
- support pins in HEWI colour 72 (may green)

801.90.032

- hook part in HEWI colour 74 (apple green)
- support pins in HEWI colour 36 (coral)

801.90.033

- hook part in HEWI colour 55 (aqua blue)
- support pins in HEWI colour 50 (steel blue)

801.90.034

- hook part in HEWI colour 55 (aqua blue)
- support pins in HEWI colour 74 (apple green)

801.90.035

**made of high-quality matt polyamide**

- hook part in HEWI colour 74 (apple green)
- support pins in HEWI colour 72 (may green)

801.90B032

- hook part in HEWI colour 74 (apple green)
- support pins in HEWI colour 36 (coral)

801.90B033

- hook part in HEWI colour 55 (aqua blue)
- support pins in HEWI colour 50 (steel blue)

801.90B034

- hook part in HEWI colour 55 (aqua blue)
- support pins in HEWI colour 74 (apple green)

801.90B035

**HEWI Colour combinations (glossy | matt)**

74	74	55	55
72	36	50	74

Supplied without fixing material.

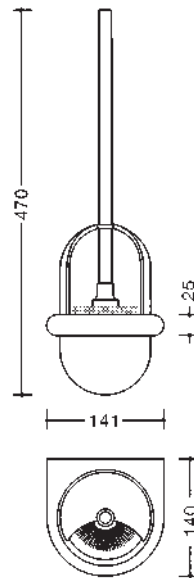






Item Number

Dimensions in mm / Specification



**HEWI Toilet brush unit**

- brush handle with easily replaceable brush head by bayonet fixing
- brush head made of black polyamide, ø 81 mm
- brush container with round bottom and spherical semi-open top in ring-shaped holder, upper part free rotating
- container is removable, but can also be fitted to prevent unauthorised removal
- concealed screw fitting to prevent unauthorised removal
- 141 mm wide, 470 mm high, 140 mm deep

**made of high-quality polyamide**

- brush container in HEWI colour 99 (pure white), holder in HEWI colour 55 (aqua blue), brush handle in HEWI colour 36 (coral)
- brush container in HEWI colour 74 (apple green), holder in HEWI colour 72 (may green), brush handle in HEWI colour 36 (coral)
- brush container in HEWI colour 55 (aqua blue), holder in HEWI colour 50 (steel blue), brush handle in HEWI colour 74 (apple green)

**made of high-quality matt polyamide**

- brush container in HEWI colour 99 (pure white), holder in HEWI colour 55 (aqua blue), brush handle in HEWI colour 36 (coral)
- brush container in HEWI colour 74 (apple green), holder in HEWI colour 72 (may green), brush handle in HEWI colour 36 (coral)
- brush container in HEWI colour 55 (aqua blue), holder in HEWI colour 50 (steel blue), brush handle in HEWI colour 74 (apple green)



477.20.101

477.20.102

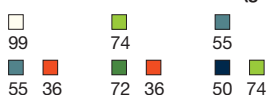
477.20.103

477.20B101

477.20B102

477.20B103

**HEWI Colour combinations (glossy | matt)**



477.20...E04

477.20...E03

477.20...010

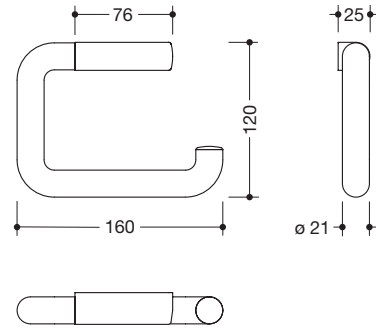
**HEWI Toilet brush container**

**HEWI Brush handle**

**HEWI Toilet brush**

Item Number

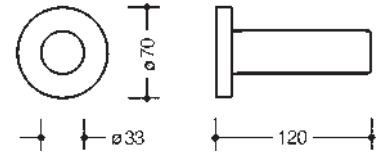
Dimensions in mm / Specification



**477.21.100**  
**477.21B100**

**HEWI Toilet roll holder**

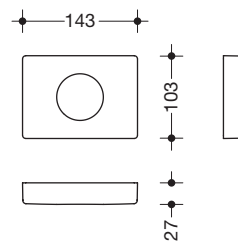
- concealed screw fitting to prevent unauthorised removal
- 160 mm wide, 120 mm high, ø 21 mm
- made of high-quality polyamide
- made of high-quality matt polyamide



**477.21.200**  
**477.21B200**

**HEWI Spare roll holder**

- concealed screw fitting to prevent unauthorised removal
- 120 mm long, ø 33 mm, rose ø 70 mm
- made of high-quality polyamide
- made of high-quality matt polyamide



**477.06.750**  
**477.06B750**

**HEWI Hygiene bag dispenser**

- used to hold and remove proprietary hygiene bags made of plastic
- 143 mm wide, 103 mm high and 27 mm deep
- for wall mounting including non-corrosive HEWI fixing material
- made of high-quality polyamide
- made of high-quality matt polyamide

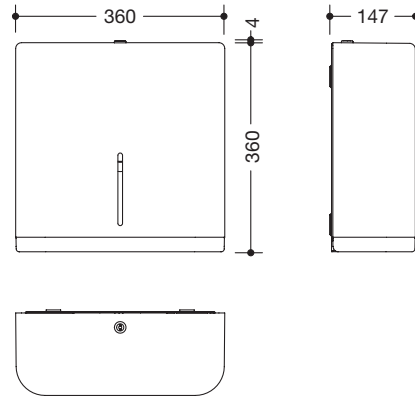
**HEWI Colours (glossy | matt)**

99 36 74 72 55 50

Detailed information about the spare parts can be found here:  
[www.hewi.com/en/spare-parts](http://www.hewi.com/en/spare-parts)

Item Number

Dimensions in mm / Specification



**HEWI Large toilet roll holder**

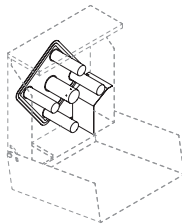
- for holding a standard large toilet roll in diameters from 250 - 320 mm
- level indicator at the front, for wall mounting
- locking system as protection against misuse
- 360 mm wide, 360 mm high and 147 mm deep
- basic body made of high-quality polyamide in HEWI colour 99 (pure white)
- extension possible with carousel 900.21.E01
- including non-corrosive HEWI fixing material

**477.21.60099**

- frame element/opening made of high-quality polyamide in HEWI colours 50 (steel blue), 55 (aqua blue), 72 (may green), 74 (apple green) and 36 (coral)

**477.21B60099**

- frame element/opening made of high-quality, matt polyamide in HEWI colours 50 (steel blue), 55 (aqua blue), 72 (may green), 74 (apple green) and 36 (coral)



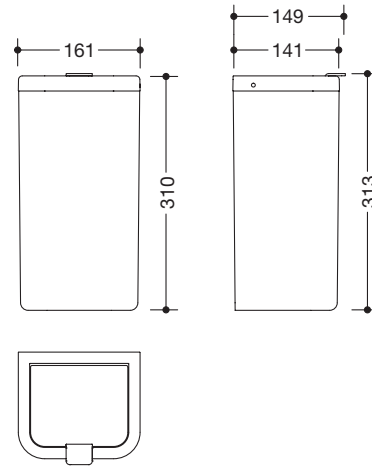
**900.21.E01**

**HEWI Carousel**

- for conversion from large toilet roll holder to quadruple toilet roll holder
- optionally available

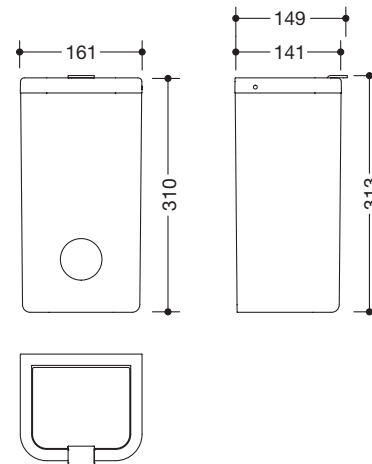
Item Number

Dimensions in mm / Specification



**HEWI Hygiene waste bin**

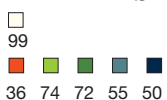
- capacity approx. 6 l
  - invisible, integrated bag holder
  - lid with lifting flap
  - 161 mm wide, 310 mm high and 141 mm deep
  - for wall mounting
  - basic body / lid made of high-quality polyamide in HEWI colour 99 (pure white)
  - including non-corrosive HEWI fixing material
- 477.05.20499**
- frame element made of high-quality polyamide in HEWI colours 50 (steel blue), 55 (aqua blue), 72 (may green), 74 (apple green) and 36 (coral)
- 477.05B20499**
- frame element made of high-quality matt polyamide in HEWI colours 50 (steel blue), 55 (aqua blue), 72 (may green), 74 (apple green) and 36 (coral)



**HEWI Hygiene combination**

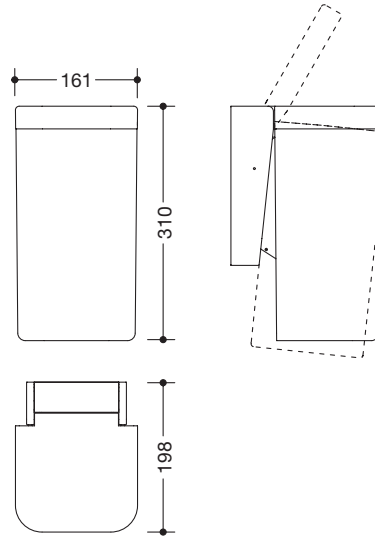
- do., with integrated holder for standard hygiene bags made of synthetic material (max. package size L 130 x B 90 x H 20 mm)
  - frame element made of high-quality polyamide in HEWI colours 50 (steel blue), 55 (aqua blue), 72 (may green), 74 (apple green) and 36 (coral)
- 477.05.20599**
- frame element made of high-quality matt polyamide in HEWI colours 50 (steel blue), 55 (aqua blue), 72 (may green), 74 (apple green) and 36 (coral)

**HEWI Colours (glossy | matt)**



Item Number

Dimensions in mm / Specification



**HEWI Hygiene waste bin**

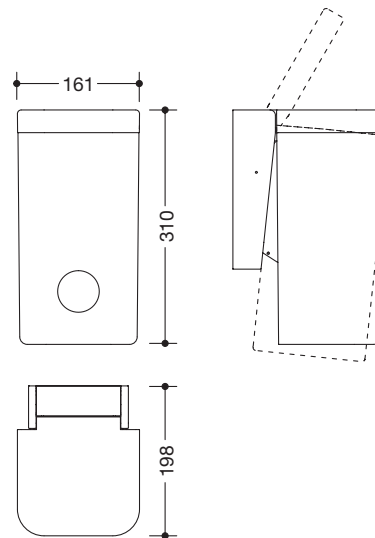
- capacity approx. 6 l, for wall mounting, removable
- invisible, integrated bag holder
- lid is opened by applying slight pressure to container with the knee or hand
- with self-adhesive label with instructions for knee operation
- 310 mm high and 198 mm deep and 161 mm wide
- basic body made of high-quality polyamide in HEWI colour 99 (pure wh.)
- including non-corrosive HEWI fixing material

**477.05.10199**

- lid made of high-quality polyamide in HEWI colours 50 (steel blue), 55 (aqua blue), 72 (may green), 74 (apple green) and 36 (coral)

**477.05B10199**

- lid made of high-quality matt polyamide in HEWI colours 50 (steel blue), 55 (aqua blue), 72 (may green), 74 (apple green) and 36 (coral)



**HEWI Hygiene combination**

- do., with integrated holder for standard hygiene bags made of synthetic material (max. package size L 130 x B 90 x H 20 mm)

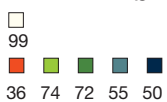
**477.05.10299**

- lid made of high-quality polyamide in HEWI colours 50 (steel blue), 55 (aqua blue), 72 (may green), 74 (apple green) and 36 (coral)

**477.05B10299**

- lid made of high-quality matt polyamide in HEWI colours 50 (steel blue), 55 (aqua blue), 72 (may green), 74 (apple green) and 36 (coral)

**HEWI Colours (glossy | matt)**



# Accessibility

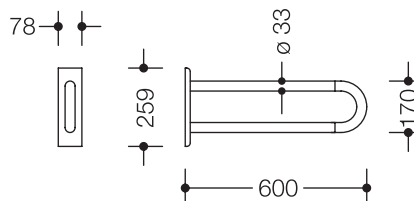


Item Number

Dimensions in mm / Specification



Drill hole



801.50.3000

**HEWI Stationary support rail**

- loading capacity according to DIN 18040 up to 100 kg
- with continuous, corrosion resistant steel core and wall plate made of polyamide with integrated steel core
- covered, non-corrosive and tested HEWI fixing material for different wall constructions (to be ordered separately)
- 78 mm wide and 259 mm high, rails  $\varnothing$  33 mm

**projection 600 mm, made of high-quality polyamide**

- support rail in HEWI colour 99 (pure white)
- wall plate in HEWI colour 55 (aqua blue)

801.50.3001

- support rail in HEWI colour 74 (apple green)
- wall plate in HEWI colour 72 (may green)

801.50.3002

- support rail in HEWI colour 74 (apple green)
- wall plate in HEWI colour 36 (coral)

801.50.3003

- support rail in HEWI colour 55 (aqua blue)
- wall plate in HEWI colour 50 (steel blue)

801.50.3004

- support rail in HEWI colour 55 (aqua blue)
- wall plate in HEWI colour 74 (apple green)



**projection 600 mm, made of high-quality matt polyamide**

- support rail in HEWI colour 99 (pure white)
- wall plate in HEWI colour 55 (aqua blue)

801.50B3000

- support rail in HEWI colour 74 (apple green)
- wall plate in HEWI colour 72 (may green)

801.50B3001

- support rail in HEWI colour 74 (apple green)
- wall plate in HEWI colour 36 (coral)

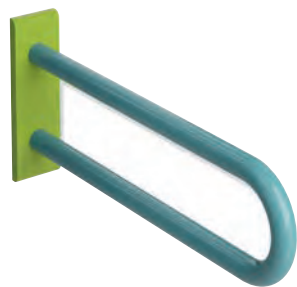
801.50B3002

- support rail in HEWI colour 55 (aqua blue)
- wall plate in HEWI colour 50 (steel blue)

801.50B3003

- support rail in HEWI colour 55 (aqua blue)
- wall plate in HEWI colour 74 (apple green)

801.50B3004



39006  
68556

**HEWI Masking cap**  
**HEWI Masking cap, matt**

**HEWI Colour combinations (glossy | matt)**

99	74	74	55	55
55	72	36	50	74

**BM10.2 – BM18.2**

**HEWI Fixing material for hinged support rails** to be ordered separately page 738

**Upgrade products for hinged support rails** see page 55

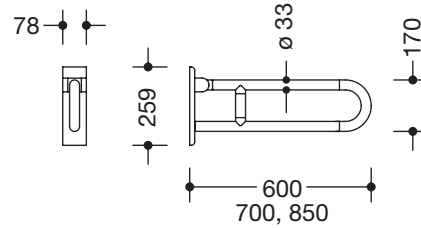


Item Number

Dimensions in mm / Specification



Drill hole



801.50.1000

**HEWI Hinged support rail, rotatable**

- loading capacity according to DIN 18040 up to 100 kg
- can be folded upwards and, with friction device, downwards
- a turn to left or right locks support in vertical position
- with continuous, corrosion resistant steel core and wall plate made of polyamide with integrated steel core
- covered, non-corrosive and tested HEWI fixing material for different wall constructions (to be ordered separately)
- 78 mm wide and 259 mm high, rails  $\varnothing$  33 mm

**projection 600 mm, made of high-quality polyamide**

- support rail in HEWI colour 99 (pure white)
- wall plate in HEWI colour 55 (aqua blue), support in 36 (coral)

801.50.1001

- support rail in HEWI colour 74 (apple green)
- wall plate in HEWI colour 72 (may green), support in 36 (coral)

801.50.1002

- support rail in HEWI colour 55 (aqua blue)
- wall plate in HEWI colour 50 (steel blue), support in 74 (apple green)



801.50B1000

**projection 600 mm, made of high-quality matt polyamide**

- support rail in HEWI colour 99 (pure white)
- wall plate in HEWI colour 55 (aqua blue), support in 36 (coral)

801.50B1001

- support rail in HEWI colour 74 (apple green)
- wall plate in HEWI colour 72 (may green), support in 36 (coral)

801.50B1002

- support rail in HEWI colour 55 (aqua blue)
- wall plate in HEWI colour 50 (steel blue), support in 74 (apple green)

801.50.1100

**projection 700 mm, made of high-quality polyamide**

- support rail in HEWI colour 99 (pure white)
- wall plate in HEWI colour 55 (aqua blue), support in 36 (coral)

801.50B1100

**projection 700 mm, made of high-quality matt polyamide**

- support rail in HEWI colour 99 (pure white)
- wall plate in HEWI colour 55 (aqua blue), support in 36 (coral)

801.50.1200

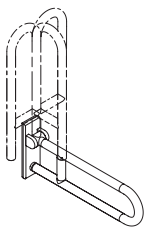
**projection 850 mm, made of high-quality polyamide**

- support rail in HEWI colour 99 (pure white)
- wall plate in HEWI colour 55 (aqua blue), support in 36 (coral)

801.50B1200

**projection 850 mm, made of high-quality matt polyamide**

- support rail in HEWI colour 99 (pure white)
- wall plate in HEWI colour 55 (aqua blue), support in 36 (coral)



39006  
68556

**HEWI Masking cap**  
**HEWI Masking cap, matt**

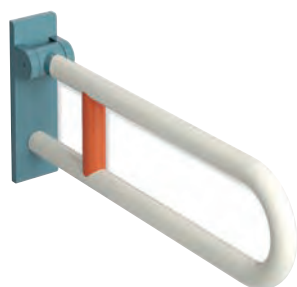
**HEWI Colour combinations (glossy | matt)**

□ 99	□ 74	□ 55
■ 55	■ 36	■ 72
■ 72	■ 36	■ 50
■ 50	■ 74	■ 74

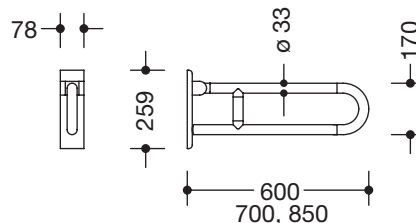
Detailed information about the spare parts can be found here:  
[www.hewi.com/en/spare-parts](http://www.hewi.com/en/spare-parts)

Item Number

Dimensions in mm / Specification



Drill hole



801.50.2000

**HEWI Hinged support rail**

- loading capacity according to DIN 18040 up to 100 kg
- can be folded upwards and, with friction device, downwards
- with continuous, corrosion resistant steel core and wall plate made of polyamide with integrated steel core
- covered, non-corrosive and tested HEWI fixing material for different wall constructions (to be ordered separately)
- 78 mm wide and 259 mm high, rails ø 33 mm

**projection 600 mm, made of high-quality polyamide**

- support rail in HEWI colour 99 (pure white)
- wall plate in HEWI colour 55 (aqua blue), support in 36 (coral)

801.50.2001

- support rail in HEWI colour 74 (apple green)
- wall plate in HEWI colour 72 (may green), support in 36 (coral)

801.50.2002

- support rail in HEWI colour 55 (aqua blue)
- wall plate in HEWI colour 50 (steel blue), support in 74 (apple green)



801.50B2000

**projection 600 mm, made of high-quality matt polyamide**

- support rail in HEWI colour 99 (pure white)
- wall plate in HEWI colour 55 (aqua blue), support in 36 (coral)

801.50B2001

- support rail in HEWI colour 74 (apple green)
- wall plate in HEWI colour 72 (may green), support in 36 (coral)

801.50B2002

- support rail in HEWI colour 55 (aqua blue)
- wall plate in HEWI colour 50 (steel blue), support in 74 (apple green)

801.50.2100

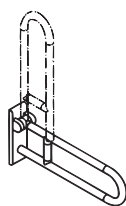
**projection 700 mm, made of high-quality polyamide**

- support rail in HEWI colour 99 (pure white)
- wall plate in HEWI colour 55 (aqua blue), support in 36 (coral)

801.50B2100

**projection 700 mm, made of high-quality matt polyamide**

- support rail in HEWI colour 99 (pure white)
- wall plate in HEWI colour 55 (aqua blue), support in 36 (coral)



801.50.2200

**projection 850 mm, made of high-quality polyamide**

- support rail in HEWI colour 99 (pure white)
- wall plate in HEWI colour 55 (aqua blue), support in 36 (coral)

801.50B2200

**projection 850 mm, made of high-quality matt polyamide**

- support rail in HEWI colour 99 (pure white)
- wall plate in HEWI colour 55 (aqua blue), support in 36 (coral)

39006

**HEWI Masking cap**

68556

**HEWI Masking cap, matt**

**HEWI Colour combinations (glossy | matt)**

□ 99	□ 74	□ 55
■ 55 ■ 36	■ 72 ■ 36	■ 50 ■ 74

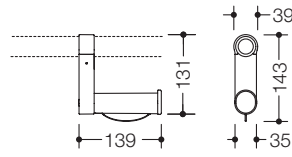
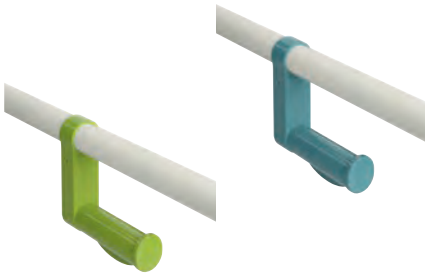
**BM10.2 – BM18.2**

**HEWI Fixing material for hinged support rails** to be ordered separately page 738

**Upgrade products for hinged support rails** siehe rechts

Item Number

Dimensions in mm / Specification



**801.50.011**

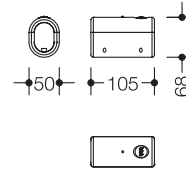
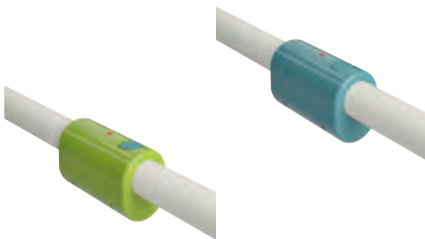
**HEWI Upgrade kit toilet roll holder**

- right angle-shaped toilet roll holder
- with integrated soft, flexible roll brake for commercial toilet paper rolls
- for simple installation and for retrofitting with hinged support rail 801...
- 39 mm wide, 143 mm high, 139 mm deep

**801.50B011**

- made of high-quality polyamide in HEWI colours 55 (aqua blue) and 74 (apple green)

- made of high-quality matt polyamide in HEWI colours 55 (aqua blue) and 74 (apple green)



**801.50.060**

**HEWI Upgrade kit WC flushing mechanism (radio-controlled)**

- WC flushing mechanism (radio-controlled) for easy installation and for retrofitting with HEWI hinged support rails 801.50...
- 50 mm wide, 68 mm high, 105 mm long
- transmission frequency 868,4 MHz
- suitable for radio-controlled WC flushing systems of Geberit, Mepa, Viega, Sanit, Friatec, TECE and Grohe

**801.50B060**

- made of high-quality polyamide in HEWI colours 55 (aqua blue) and 74 (apple green)

- made of high-quality matt polyamide in HEWI colours 55 (aqua blue) and 74 (apple green)

HEWI Colours (glossy | matt)

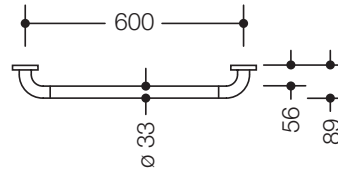
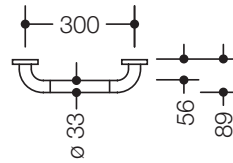


Detailed information about the spare parts can be found here:  
[www.hewi.com/en/spare-parts](http://www.hewi.com/en/spare-parts)



Item Number

Dimensions in mm / Specification



**801.36.100**  
**801.36.1000**  
**801.36.1001**  
**801.36.1002**  
**801.36.1003**

**HEWI Support rail**

- rail with right-angled bends at the ends
- with continuous, corrosion resistant steel core
- mounting with special fixing kit and roses from HEWI
- rail  $\varnothing$  33 mm, roses  $\varnothing$  70 mm, 89 mm deep

**c to c 300 mm, made of high-quality polyamide**

- rail and roses in HEWI colour 99 (pure white)
- rail in HEWI colour 74 (apple green), roses in HEWI colour 72 (may green)
- rail in HEWI colour 74 (apple green), roses in HEWI colour 36 (coral)
- rail in HEWI colour 55 (aqua blue), roses in HEWI colour 50 (steel blue)
- rail in HEWI colour 55 (aqua blue), roses in HEWI colour 74 (apple green)

**c to c 300 mm, made of high-quality matt polyamide**

- rail and roses in HEWI colour 99 (pure white)
- rail in HEWI colour 74 (apple green), roses in HEWI colour 72 (may green)
- rail in HEWI colour 74 (apple green), roses in HEWI colour 36 (coral)
- rail in HEWI colour 55 (aqua blue), roses in HEWI colour 50 (steel blue)
- rail in HEWI colour 55 (aqua blue), roses in HEWI colour 74 (apple green)



**801.36.130**  
**801.36.1300**  
**801.36.1301**  
**801.36.1302**  
**801.36.1303**

**c to c 600 mm, made of high-quality polyamide**

- rail and roses in HEWI colour 99 (pure white)
- rail in HEWI colour 74 (apple green), roses in HEWI colour 72 (may green)
- rail in HEWI colour 74 (apple green), roses in HEWI colour 36 (coral)
- rail in HEWI colour 55 (aqua blue), roses in HEWI colour 50 (steel blue)
- rail in HEWI colour 55 (aqua blue), roses in HEWI colour 74 (apple green)

**c to c 600 mm, made of high-quality matt polyamide**

- rail and roses in HEWI colour 99 (pure white)
- rail in HEWI colour 74 (apple green), roses in HEWI colour 72 (may green)
- rail in HEWI colour 74 (apple green), roses in HEWI colour 36 (coral)
- rail in HEWI colour 55 (aqua blue), roses in HEWI colour 50 (steel blue)
- rail in HEWI colour 55 (aqua blue), roses in HEWI colour 74 (apple green)



**801.36B130**  
**801.36B1300**  
**801.36B1301**  
**801.36B1302**  
**801.36B1303**

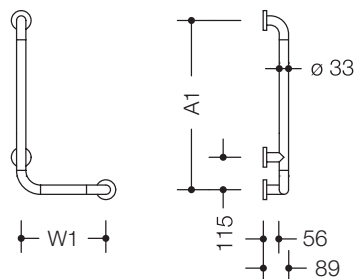
**HEWI Colour combinations (glossy | matt)**

74	74	55	55
72	36	50	74

**Fixing material BM211** included in delivery, page 742

Item Number

Dimensions in mm / Specification



801.22.100  
801.22.110

801.22B100  
801.22B110

**HEWI L-shaped support rail**

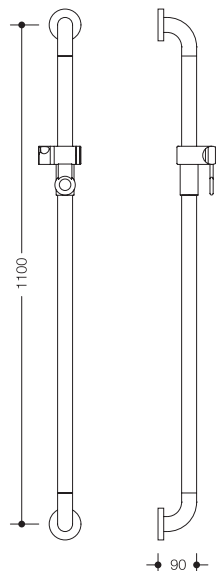
- can be mounted in left hand or right hand position
- with continuous, corrosion resistant steel core
- mounting with special fixing kit and roses from HEWI
- rails  $\varnothing$  33 mm, roses  $\varnothing$  70 mm, 89 mm deep, in HEWI colour 99 (pure white)

**made of high-quality polyamide**

- A1 = 600 mm, W1 = 300 mm
- A1 = 900 mm, W1 = 400 mm

**made of high-quality matt polyamide**

- A1 = 600 mm, W1 = 300 mm
- A1 = 900 mm, W1 = 400 mm



477.33.103

477.33.104

477.33B103

477.33B104

**HEWI Rail with shower head holder**

- rail system with shower head holder and rose fixings
- with corrosion-resistant steel insert
- suitable for various manufacturers' shower heads
- shower head holder adjustable to required angle and height
- c to c 1100 mm, 90 mm deep,  $\varnothing$  33 mm, roses  $\varnothing$  70 mm

**made of high-quality polyamide**

- rail and roses in HEWI colour 99 (pure white)
- shower head holder in HEWI colour 55 (aqua blue)

- rail and roses in HEWI colour 99 (pure white)
- shower head holder in HEWI colour 36 (coral)

**made of high-quality matt polyamide**

- rail and roses in HEWI colour 99 (pure white)
- shower head holder in HEWI colour 55 (aqua blue)

- rail and roses in HEWI colour 99 (pure white)
- shower head holder in HEWI colour 36 (coral)

**HEWI Colour combinations (glossy | matt)**

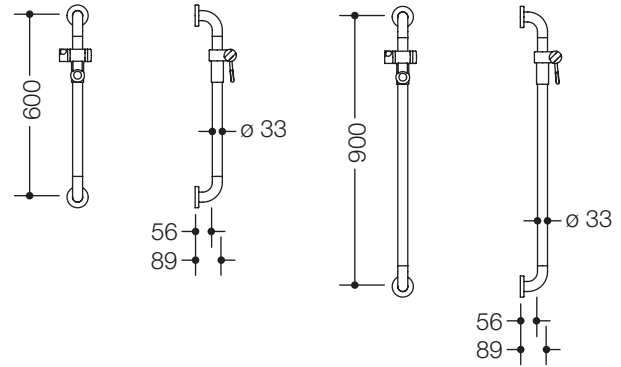
<input type="checkbox"/> 99	<input type="checkbox"/> 99
<input type="checkbox"/> 55	<input type="checkbox"/> 36

950.33.E03...  
950.33.E05...

**HEWI Handspray** to be ordered separately page 702  
**HEWI Shower hose** to be ordered separately page 703  
**Fixing material BM211** included in delivery, page 742

Item Number

Dimensions in mm / Specification



**HEWI Rail with shower head holder**

- shower head holder adjustable to required angle and height
- conical adapter on shower head holder facilitates accommodation of handspray
- with continuous, corrosion resistant steel core
- mounting with special fixing kit and roses from HEWI
- 89 mm deep, Stange  $\varnothing$  33 mm, roses  $\varnothing$  70 mm

**Please note**

**801.33B...**

Functional area of shower head holder glossy.

**made of high-quality polyamide**

c to c	rail and roses in HEWI colour 99 (pure white) shower head holder in HEWI colour 55 (aqua blue)	rail and roses in HEWI colour 99 (pure white) shower head holder in HEWI colour 36 (coral)	rail in HEWI colour 74 (apple green) roses in HEWI colour 72 (may green) shower head holder in HEWI colour 36 (coral)	rail in HEWI colour 55 (aqua blue) roses in HEWI colour 50 (steel blue) shower head holder in HEWI colour 74 (apple green)
600 mm			<b>801.33.1000</b>	<b>801.33.1001</b>
900 mm	<b>801.33.1100</b>	<b>801.33.1101</b>	<b>801.33.1102</b>	<b>801.33.1103</b>

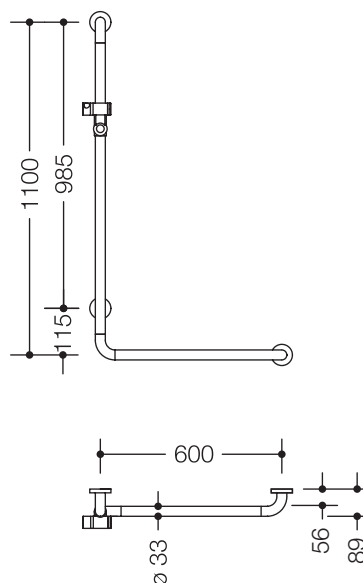
**made of high-quality matt polyamide**

c to c	rail and roses in HEWI colour 99 (pure white) shower head holder in HEWI colour 55 (aqua blue)	rail and roses in HEWI colour 99 (pure white) shower head holder in HEWI colour 36 (coral)	rail in HEWI colour 74 (apple green) roses in HEWI colour 72 (may green) shower head holder in HEWI colour 36 (coral)	rail in HEWI colour 55 (aqua blue) roses in HEWI colour 50 (steel blue) shower head holder in HEWI colour 74 (apple green)
600 mm			<b>801.33B1000</b>	<b>801.33B1001</b>
900 mm	<b>801.33B1100</b>	<b>801.33B1101</b>	<b>801.33B1102</b>	<b>801.33B1103</b>

**HEWI Colour combinations (glossy | matt)**

99	99	74	55
55	36	72 36	50 74

Detailed information about the spare parts can be found here:  
[www.hewi.com/en/spare-parts](http://www.hewi.com/en/spare-parts)



**HEWI L-shaped support rail with shower head holder**

- shower head holder adjustable to required angle and height
- conical adapter on shower head holder facilitates accommodation of handspray
- mounting with special fixing kit and roses from HEWI
- can be mounted in left hand or right hand position
- rails  $\varnothing$  33 mm, roses  $\varnothing$  70 mm

**When using with removable hanging seats, please note!**

Compatibility testing required. A detailed list of the possible combinations of support rails, L-shaped support rails and shower head rails with matching removable hanging seats can be found in our online catalogue in the download area of the respective product.

**made of high-quality polyamide**

	with continuous, corrosion resistant <b>steel core</b> and <b>fixing roses made of steel</b> rails and roses in HEWI colour 99 (pure white) shower head holder in HEWI colour 55 (aqua blue)	with continuous, corrosion resistant <b>steel core</b> and <b>fixing roses made of steel</b> rails and roses in HEWI colour 99 (pure white) shower head holder in HEWI colour 36 (coral)	A1 with corrosion resistant <b>steel core</b> and W1 with <b>aluminum core</b> , steel reinforced end bends and <b>fixing roses made of synthetic material</b> rails and roses in HEWI colour 99 (pure white) shower head holder in HEWI colour 55 (aqua blue)	A1 with corrosion resistant <b>steel core</b> and W1 with <b>aluminum core</b> , steel reinforced end bends and <b>fixing roses made of synthetic material</b> rails and roses in HEWI colour 99 (pure white) shower head holder in HEWI colour 36 (coral)
<b>c to c</b>				
A1 = 1100 mm W1 = 600 mm	<b>801.33.2100</b>	<b>801.33.2101</b>	<b>801.33.2160</b>	<b>801.33.2161</b>

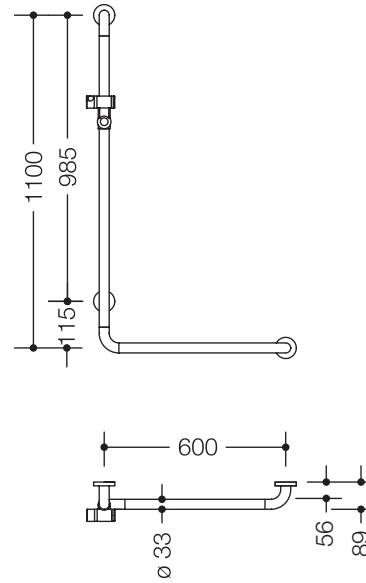
950.33.E03...  
950.33.E05...

**HEWI Handspray** to be ordered separately page 702  
**HEWI Shower hose** to be ordered separately page 703  
**Fixing material BM211** included in delivery, page 742



Item Number

Dimensions in mm / Specification



**HEWI L-shaped support rail with shower head holder**

- shower head holder adjustable to required angle and height
- conical adapter on shower head holder facilitates accommodation of handspray
- mounting with special fixing kit and roses from HEWI
- can be mounted in left hand or right hand position
- rails ø 33 mm, roses ø 70 mm

**Please note**  
**801.35B...**

Vertical rail is glossy.

**When using with removable hanging seats, please note!**

Compatibility testing required. A detailed list of the possible combinations of support rails, L-shaped support rails and shower head rails with matching removable hanging seats can be found in our online catalogue in the download area of the respective product.

made of high-quality matt polyamide

	with continuous, corrosion resistant <b>steel core</b> and <b>fixing roses made of steel</b> rails and roses in HEWI colour 99 (pure white) shower head holder in HEWI colour 55 (aqua blue)	with continuous, corrosion resistant <b>steel core</b> and <b>fixing roses made of steel</b> rails and roses in HEWI colour 99 (pure white) shower head holder in HEWI colour 36 (coral)	A1 with corrosion resistant <b>steel core</b> and W1 with <b>aluminum core</b> , steel reinforced end bends and <b>fixing roses made of synthetic material</b> rails and roses in HEWI colour 99 (pure white) shower head holder in HEWI colour 55 (aqua blue)	A1 with corrosion resistant <b>steel core</b> and W1 with <b>aluminum core</b> , steel reinforced end bends and <b>fixing roses made of synthetic material</b> rails and roses in HEWI colour 99 (pure white) shower head holder in HEWI colour 36 (coral)
<b>c to c</b>				
A1 = 1100 mm W1 = 600 mm	<b>801.33B2100</b>	<b>801.33B2101</b>	<b>801.33B2160</b>	<b>801.33B2161</b>

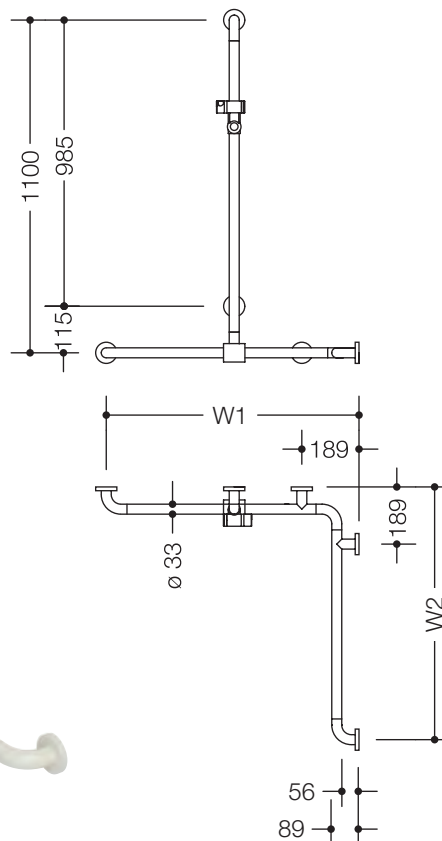
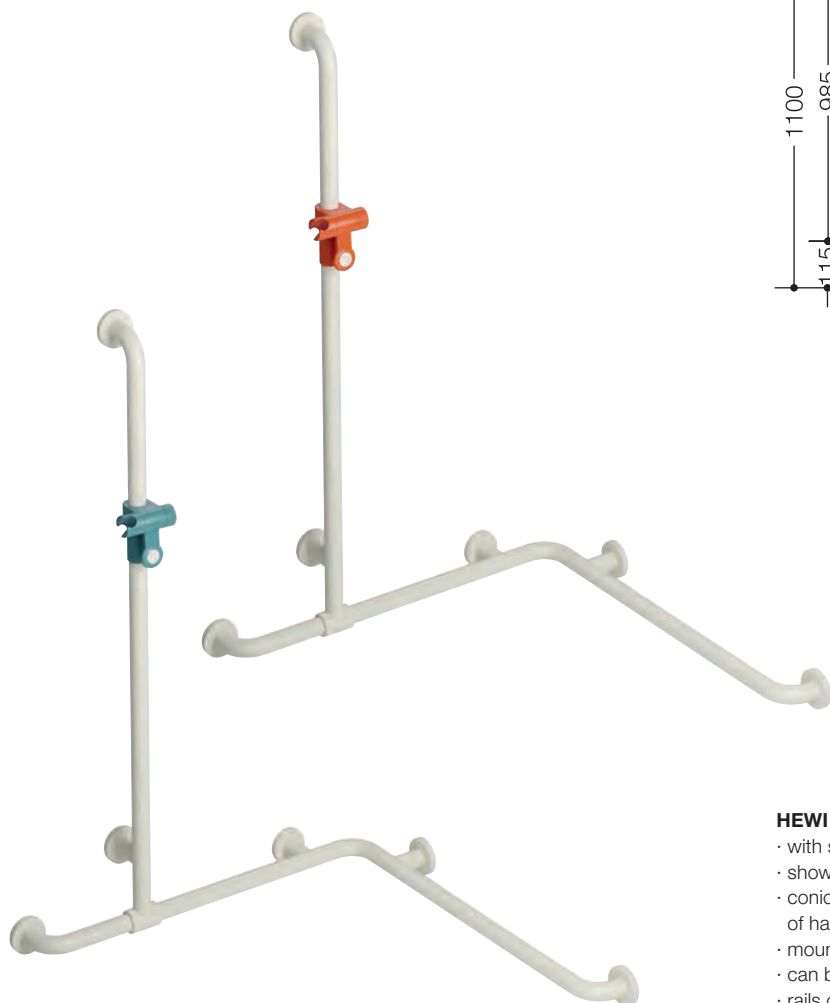
**HEWI Colour combinations (glossy | matt)**

□	□
99	99
55	36

Detailed information about the spare parts can be found here:  
[www.hewi.com/en/spare-parts](http://www.hewi.com/en/spare-parts)

Item Number

Dimensions in mm / Specification



**HEWI Rail with vertical support bar and shower head holder**

- with shower head rail that can be moved to the side (for installation)
- shower head holder adjustable to required angle and height
- conical adapter on shower head holder facilitates accommodation of handspray
- mounting with special fixing kit and roses from HEWI
- can be mounted in left hand or right hand position
- rails ø 33 mm, roses ø 70 mm

**When using with removable hanging seats, please note!**

Compatibility testing required. A detailed list of the possible combinations of support rails, L-shaped support rails and shower head rails with matching removable hanging seats can be found in our online catalogue in the download area of the respective product.

made of high-quality polyamide

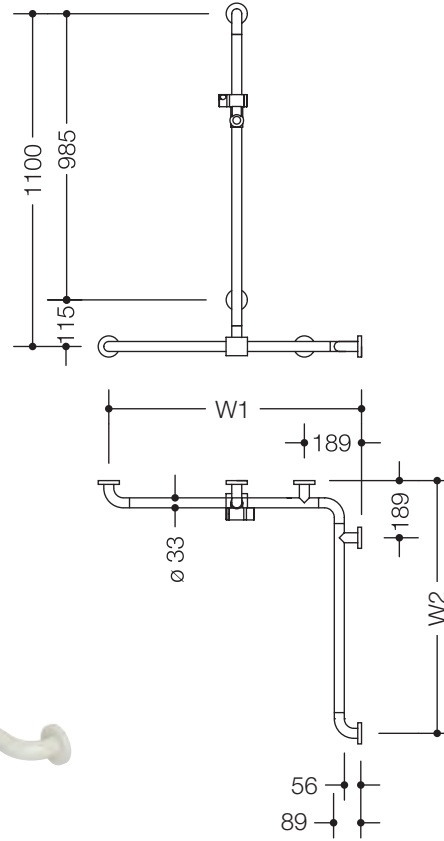
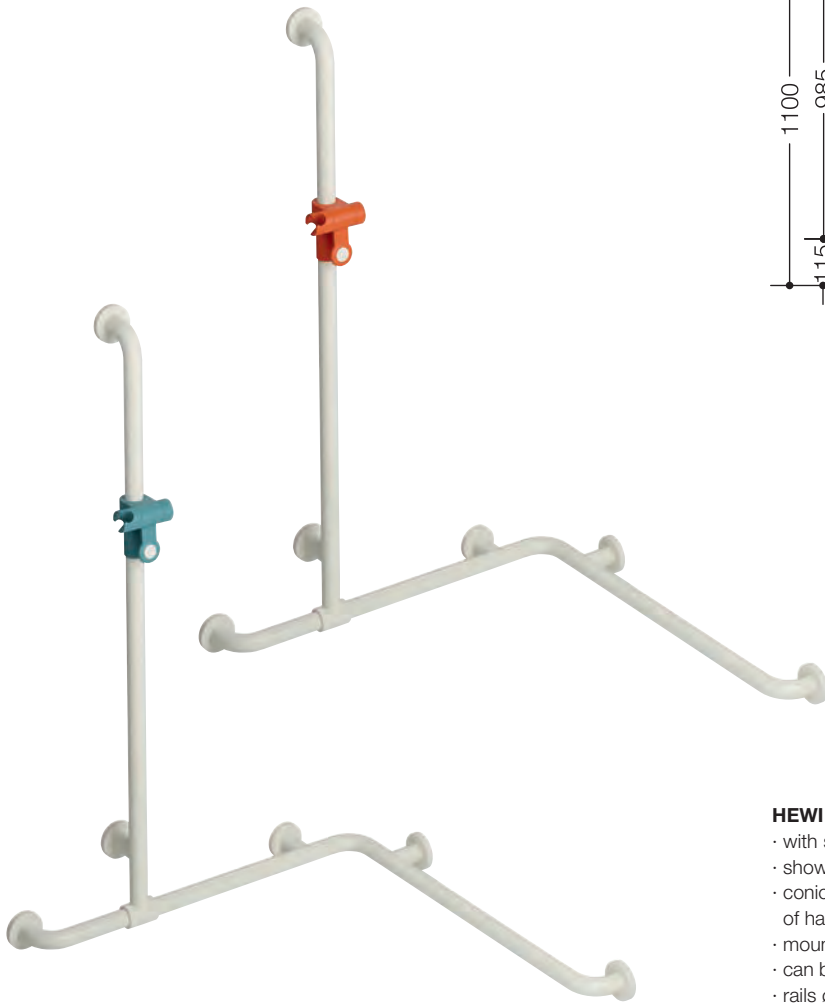
	with continuous, corrosion resistant <b>steel core</b> and <b>fixing roses made of steel</b> rails and roses in HEWI colour 99 (pure white) shower head holder in HEWI colour 55 (aqua blue)	with continuous, corrosion resistant <b>steel core</b> and <b>fixing roses made of steel</b> rails and roses in HEWI colour 99 (pure white) shower head holder in HEWI colour 36 (coral)	A1 with corrosion resistant <b>steel core</b> and W1/W2 with <b>aluminum core</b> , steel reinforced end bends and <b>fixing roses made of synthetic material</b> , rails and roses in HEWI colour 99 (pure white) shower head holder in HEWI colour 55 (aqua blue)	A1 with corrosion resistant <b>steel core</b> and W1/W2 with <b>aluminum core</b> , steel reinforced end bends and <b>fixing roses made of synthetic material</b> , rails and roses in HEWI colour 99 (pure white) shower head holder in HEWI colour 36 (coral)
<b>c to c</b>				
A1 = 1100 mm W1/W2 = 762 mm	<b>801.35.3100</b>	<b>801.35.3101</b>	<b>801.35.3160</b>	<b>801.35.3161</b>
A1 = 1100 mm W1/W2 = 962 mm	<b>801.35.3200</b>	<b>801.35.3201</b>		

950.33.E03...  
950.33.E05...

**HEWI Handspray** to be ordered separately page 702  
**HEWI Shower hose** to be ordered separately page 703  
**Fixing material BM211** included in delivery, page 742

Item Number

Dimensions in mm / Specification



**HEWI Rail with vertical support bar and shower head holder**

- with shower head rail that can be moved to the side (for installation)
- shower head holder adjustable to required angle and height
- conical adapter on shower head holder facilitates accommodation of handspray
- mounting with special fixing kit and roses from HEWI
- can be mounted in left hand or right hand position
- rails  $\varnothing$  33 mm, roses  $\varnothing$  70 mm

**Please note**  
**801.35B...**

Vertical rail is glossy.

**made of high-quality matt polyamide**

**When using with removable hanging seats, please note!**

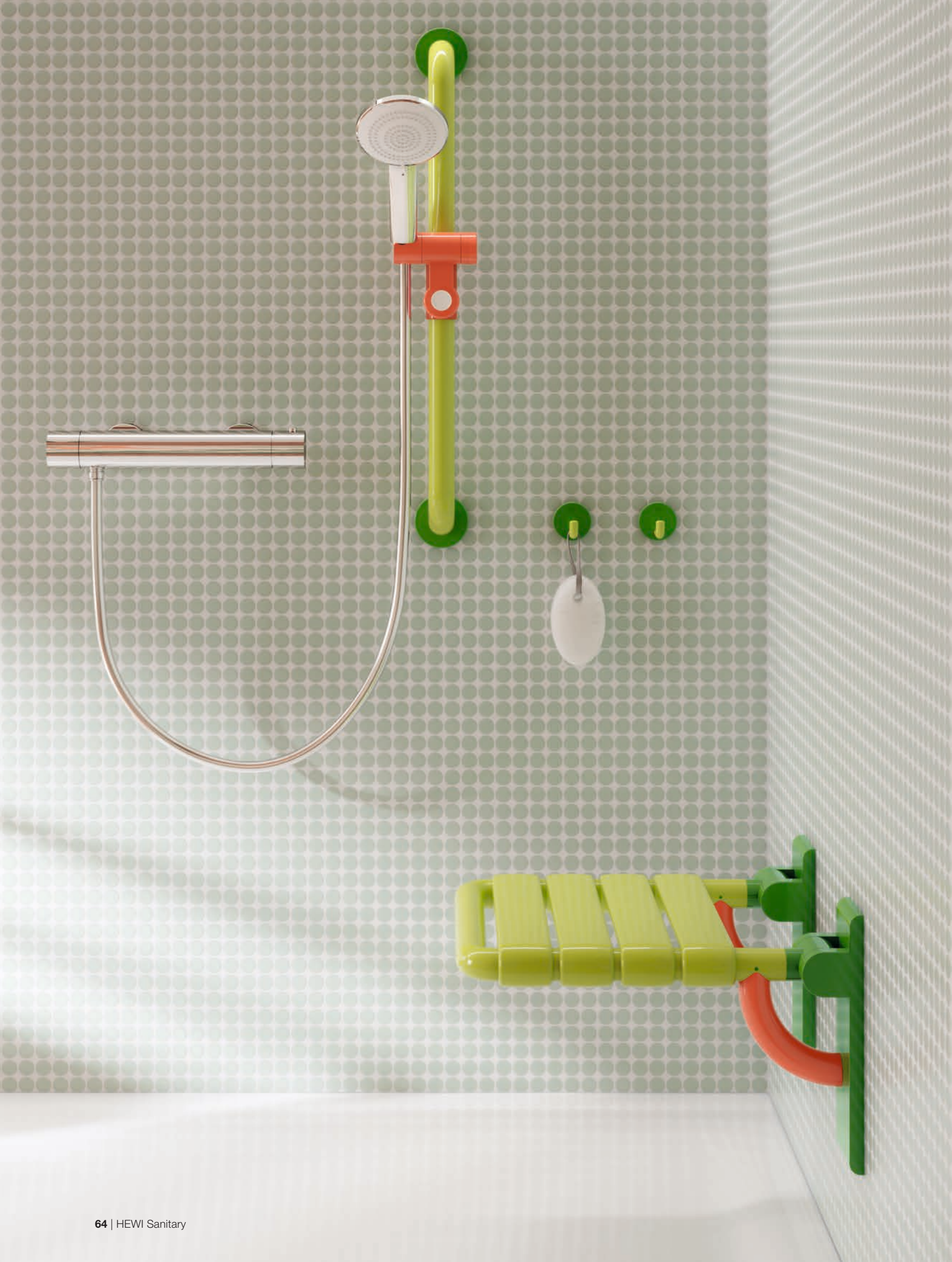
Compatibility testing required. A detailed list of the possible combinations of support rails, L-shaped support rails and shower head rails with matching removable hanging seats can be found in our online catalogue in the download area of the respective product.

	with continuous, corrosion resistant <b>steel core</b> and <b>fixing roses made of steel</b> rails and roses in HEWI colour 99 (pure white) shower head holder in HEWI colour 55 (aqua blue)	with continuous, corrosion resistant <b>steel core</b> and <b>fixing roses made of steel</b> rails and roses in HEWI colour 99 (pure white) shower head holder in HEWI colour 36 (coral)	A1 with corrosion resistant <b>steel core</b> and W1/W2 with <b>aluminum core</b> , steel reinforced end bends and <b>fixing roses made of synthetic material</b> , rails and roses in HEWI colour 99 (pure white) shower head holder in HEWI colour 55 (aqua blue)	A1 with corrosion resistant <b>steel core</b> and W1/W2 with <b>aluminum core</b> , steel reinforced end bends and <b>fixing roses made of synthetic material</b> , rails and roses in HEWI colour 99 (pure white) shower head holder in HEWI colour 36 (coral)
c to c				
A1 = 1100 mm W1/W2 = 762 mm	<b>801.35B3100</b>	<b>801.35B3101</b>	<b>801.35B3160</b>	<b>801.35B3161</b>
A1 = 1100 mm W1/W2 = 962 mm	<b>801.35B3200</b>	<b>801.35B3201</b>		

**HEWI Colour combinations (glossy | matt)**

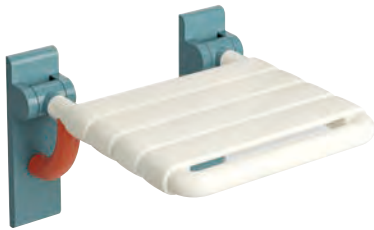
99	99
55	36

Detailed information about the spare parts can be found here:  
[www.hewi.com/en/spare-parts](http://www.hewi.com/en/spare-parts)

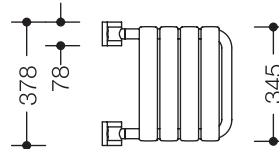
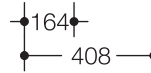
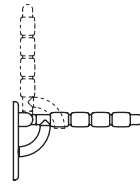
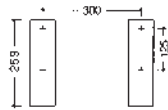


Item Number

Dimensions in mm / Specification



Drill hole



**HEWI Hinged seat**

- can be folded up
- inclination of seat adjustable
- with continuous, corrosion resistant steel core
- wall plate made of polyamide with integrated steel core
- maximum loading capacity 150 kg
- covered, non-corrosive and tested HEWI fixing material for different wall constructions (to be ordered separately)
- seat 345 mm wide and 408 mm deep
- seat slats 55 mm wide

**made of high-quality polyamide**

- wall plate in HEWI colour 55 (aqua blue), seat in HEWI colour 99 (pure white), bend in HEWI colour 36 (coral)

801.51.2000

- wall plate in HEWI colour 72 (may green), seat in HEWI colour 74 (apple green), bend in HEWI colour 36 (coral)

801.51.2001

- wall plate in HEWI colour 50 (steel blue), seat in HEWI colour 55 (aqua blue), bend in HEWI colour 74 (apple green)

801.51.2002

**made of high-quality matt polyamide**

- wall plate in HEWI colour 55 (aqua blue), seat in HEWI colour 99 (pure white), bend in HEWI colour 36 (coral)

801.51B2000

- wall plate in HEWI colour 72 (may green), seat in HEWI colour 74 (apple green), bend in HEWI colour 36 (coral)

801.51B2001

- wall plate in HEWI colour 50 (steel blue), seat in HEWI colour 55 (aqua blue), bend in HEWI colour 74 (apple green)

801.51B2002

39006  
68556

**HEWI Masking cap**  
**HEWI Masking cap, matt**

**HEWI Colour combinations (glossy | matt)**

□	■	■
99	74	55
■	■	■
55	36	72
■	■	■
50	74	

**BM20.4 – BM28.4**

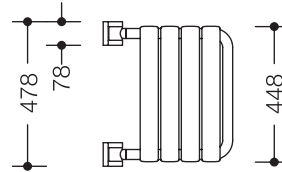
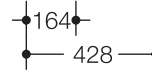
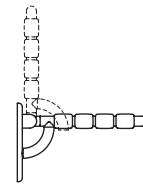
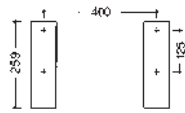
**HEWI Fixing material for hinged seats** to be ordered separately  
see page 739

Item Number

Dimensions in mm / Specification



Drill hole



**HEWI Hinged seat**

- can be folded up
- inclination of seat adjustable
- with continuous, corrosion resistant steel core
- wall plate made of polyamide with integrated steel core
- maximum loading capacity 150 kg
- covered, non-corrosive and tested HEWI fixing material for different wall constructions (to be ordered separately)
- seat 448 mm wide and 428 mm deep
- seat slats 55 mm wide

**801.51.2100**

- made of high-quality polyamide
- wall plate in HEWI colour 55 (aqua blue), seat in HEWI colour 99 (pure white), bend in HEWI colour 36 (coral)

**801.51B2100**

- made of high-quality matt polyamide
- wall plate in HEWI colour 55 (aqua blue), seat in HEWI colour 99 (pure white), bend in HEWI colour 36 (coral)

**39006**

**HEWI Masking cap**

**68556**

**HEWI Masking cap, matt**

HEWI Colour combination (glossy | matt)

- 99
- 55 ■ 36

BM20.4 – BM28.4

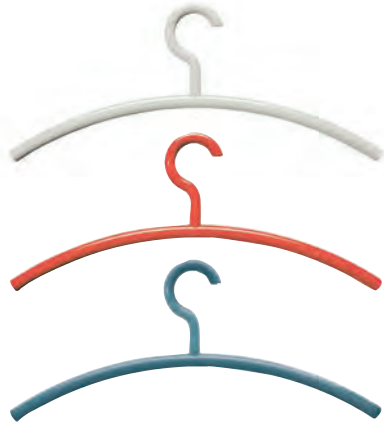
HEWI Fixing material for hinged seats to be ordered separately see page 739

# Additional products



Item Number

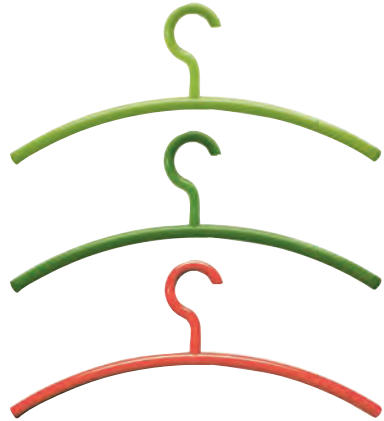
Dimensions in mm / Specification



570.99.003

570.99.004

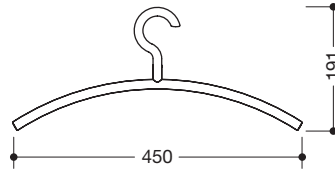
570.99.005



570.99B003

570.99B004

570.99B005



**HEWI Coat hanger set**

- ø 16 mm, 450 mm long and 191 mm high
- suitable for HEWI rails ø 33 mm
- with open fixed hook
- packing unit 3 pieces (different colours)

**made of high-quality polyamide in 3 HEWI colour combinations**

- one hanger each in HEWI colour 99 (pure white), 55 (aqua blue) and 36 (coral)
- one hanger each in HEWI colour 74 (apple green), 72 (may green) and 36 (coral)
- one hanger each in HEWI colour 55 (aqua blue), 50 (steel blue) and 74 (apple green)

**made of high-quality matt polyamide in 3 HEWI colour combinations**

- one hanger each in HEWI colour 99 (pure white), 55 (aqua blue) and 36 (coral)
- one hanger each in HEWI colour 74 (apple green), 72 (may green) and 36 (coral)
- one hanger each in HEWI colour 55 (aqua blue), 50 (steel blue) and 74 (apple green)

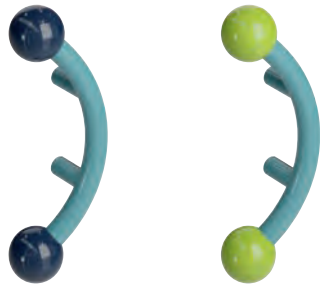
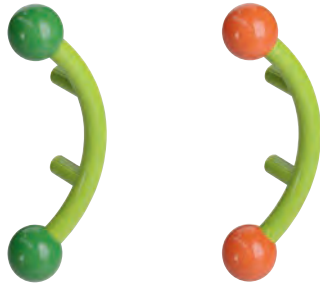
**HEWI Colour combinations (glossy | matt)**



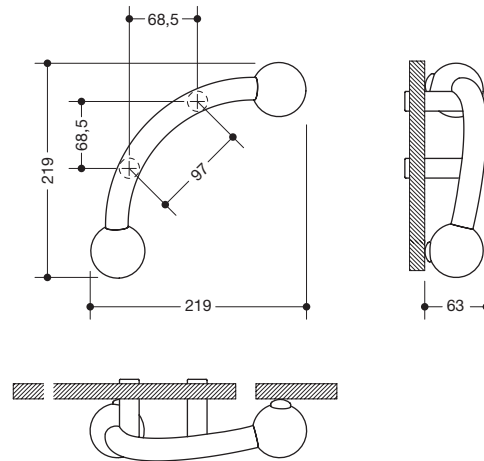


Item Number

Dimensions in mm / Specification



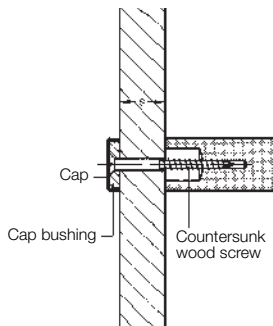
**550.23T.41**  
**550.23BT.41**



**HEWI Pull handle**

- for cubicle fittings in nursery schools
- handle  $\varnothing$  23 mm, ball knob  $\varnothing$  55 mm
- with black bumper
- supplied with fixing type BA20.4 (see bottom)
- made of high-quality polyamide
- made of high-quality matt polyamide

Please advise door thickness when ordering.  
All colour combinations are available.











**BA20.4**

**BA20.4B**

**HEWI Fixing type 20.4**

- for rear-mounting using a blind rose fitting on partition wall systems
- fixing material included (screw length = door thickness + 35 mm)
- for pull handle 550.23T.41
- rose cap made of high-quality polyamide
- for pull handle 550.23BT.41
- rose cap made of high-quality matt polyamide

**HEWI Colour combinations (glossy | matt)**

			
74	74	55	55
			
72	36	50	74

## Range 477/801



### PRODUCT CHARACTERISTICS

- Range 477/801 is the classic product in a barrierfree sanitary room
- High product range depth enables precise solutions
- Variable rail system: Shower and bath handrails, L-shaped grab bar, rails with shower head holder and shower curtain rails are available made to measure (from unit quantity 1/fixed price)
- Range 477/801 comprises solutions for special application areas
- Suicide prevention products from page 619
- Obesity products from page 611
- Range 477/801 with anti-microbial surface is available for areas with the highest-possible hygiene requirements (⊕ see page 74 – 77)

### RECOMMENDED APPLICATION AREAS

Professional Care



# Range 477/801

## DESIGN

HEWI, Bad Arolsen

## MATERIAL AND SURFACES

Polyamide in selected HEWI colours with high gloss or matt surface finish, inserts optionally made of glass or polyamide

## ACCESSORIES

Product range	74 – 75
Basin area	78 – 96
Toilet area	98 – 108
Shower and bath area	109 – 119

## ACCESSIBILITY

Product range	76 – 77
Support	121 – 141
Grip	142 – 163
Sit	164 – 171



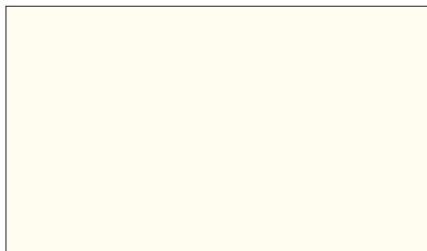
Range 477/801 is available with high-gloss surface finish as well as in matt surface finish. The classic version in high gloss variant impresses with 16 radiant HEWI colours. The Range 477/801 in matt edition in selected neutral shades becomes an eye-catcher with a very special feel – modern, soft and elegant.



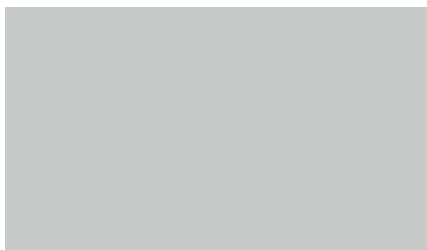
**5 MATT NEUTRAL TONES**



**98**  
signal white



**99**  
pure white



**97**  
light grey



**95**  
stone grey



**92**  
anthracite grey



- 18 (mustard yellow)
- 24 (orange)
- 36 (coral)
- 33 (ruby red)
- 74 (apple green)
- 72 (may green)
- 55 (aqua blue)
- 50 (steel blue)



**New**  
**Large toilet roll holder**  
 477.21...6009.. page 104

Basic body  
 Frame element in 16 HEWI colours  
     Matt



**New**  
**Hygiene waste bin | combination**  
 477.05...2049.. page 105  
 477.05...2059.. page 105

Basic body  
 Frame element in 16 HEWI colours  
     Matt



**New**  
**Hygiene waste bin | combination**  
 477.05...1019.. page 106  
 477.05...1029.. page 106

Basic body  
 Frame element in 16 HEWI colours  
     Matt



**Waste bin** ⊕  
 477.05... page 107

In 16 HEWI colours  
     Matt



**Toilet roll holder** ⊕  
 477.21... page 98

In 16 HEWI colours  
     Matt



**Toilet | Spare roll holder** ⊕  
 477.21... from page 98  
 801.21... from page 98

In 16 HEWI colours  
     Matt



**Toilet brush unit | Toilet brush** ⊕  
 477.20...100 | ...200 page 100  
 477.20...010 page 102

In 16 HEWI colours  
     Matt



**Toilet brush unit | Toilet brush**  
 801.20...100 page 101  
 801.20...010 page 101

In 16 HEWI colours  
     Matt



**Hygiene bag dispenser**  
 477.06...750 page 102

In 16 HEWI colours  
     Matt



**Symbols**  
 801.91... page 103  
 711... page 103

In 16 HEWI colours  
     Matt



**Bath towel rail | Grab bar** ⊕  
 477.30... from page 109  
 477.31... page 109

In 16 HEWI colours  
     Matt



**Corner shelf | Storage dish**  
 477.32...100 page 111  
 477.03...300 page 111

In 16 HEWI colours  
     Matt



**Rail with shower head holder**  
 477.33... page 148

In 16 HEWI colours  
     Matt



**Shower curtain rail**  
 801.34...400 page 118

In 16 HEWI colours  
     Matt



**Shower curtain rail**  
 801.34...1... from page 112

In 16 HEWI colours  
     Matt



**Shower curtain rail**  
 801.34...3... from page 116

In 16 HEWI colours  
     Matt

14 HEWI COLOURS

- 98 (signal white)
- 99 (pure white)
- 97 (light grey)
- 95 (stone grey)
- 92 (anthracite grey)
- 90 (jet black)
- 86 (sand)
- 84 (umber)

HEWI active+

- 98 (signal white)

ACCESSIBILITY



Stationary support rail

801.50...3... page 121

In 14 HEWI colours  
     Matt



Hinged support rail

801.50...1...  from page 122  
 801.50...1... | mobile from page 124  
 801.50...2...  from page 126  
 801.50...2... | mobile from page 128

In 14 HEWI colours  
     Matt



Hinged support rail with flushing mechanism and function button

801.50...5... | rotatable page 132  
 801.50...7... page 134

In 14 HEWI colours  
     Matt



Hinged support rail with flush release button

801.50...55... | rotatable page 133  
 801.50...75... page 135

In 14 HEWI colours  
     Matt



Backrest rail

801.51...9... from page 136

In 14 HEWI colours  
     Matt



Backrest rail

801.51...9...6... from page 138

In 14 HEWI colours  
     Matt



Backrest rail

801.51...9...7... from page 138

In 14 HEWI colours  
     Matt



Backrest rail

801.51.91... from page 139

In 14 HEWI colours



Support rail

801.36...1... page 142

In 14 HEWI colours  
     Matt



L-shaped support rail

801.22...300 page 143  
 801.22...20... page 143

In 14 HEWI colours  
     Matt



L-shaped support rail

801.22...1... page 144

In 14 HEWI colours  
     Matt



Support grab rail

801.35...1... page 145

In 14 HEWI colours  
     Matt



Floor to wall stationary support

801.22...4... page 146

In 14 HEWI colours  
     Matt



Support grab rail

801.35...2... page 147

In 14 HEWI colours  
     Matt



Rail with shower head holder

L-shaped support rail | Set   
 801.33...1... page 148  
 801.33...2... page 149  
 801.33.21... | Set from page 156

In 14 HEWI colours  
     Matt



Rail with vertical sup. bar, U-shaped

801.35...500 page 155

In 14 HEWI colours  
     Matt





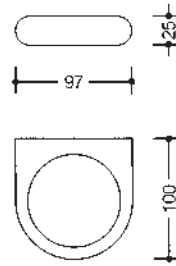
# Range 477/801 Accessories



Item Number

Dimensions in mm / Specification

Range 477/801



**477.00.100**  
**477.00B100**

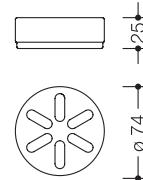
⊕ **477.00D100**

**HEWI Holder**

- for tumblers or soap dish inserts
- 97 mm wide, 25 mm high and 100 mm deep
- insert opening  $\varnothing$  74 mm
- made of high-quality polyamide in 16 HEWI colours
- made of high-quality matt polyamide in 5 HEWI colours

**HEWI active+ Holder**

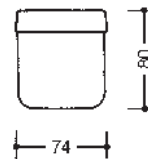
- in HEWI colour 98 (signal white), with active antimicrobial microsilver



**477.02.01005**

**HEWI Soap dish insert**

- made of opaque white glass with star-shaped nodules
- fits as insert in holder (477.00...100)
- 25 mm high,  $\varnothing$  74 mm



**477.04.020**  
**477.04B020**

⊕ **477.04D020**

**HEWI Tumbler, flat bottom**

- free-standing and fits as insert in holder (477.00...100)
- 80 mm high,  $\varnothing$  74 mm

- made of high-quality polyamide in 16 HEWI colours
- made of high-quality matt polyamide in 5 HEWI colours

**HEWI active+ Tumbler, flat bottom**

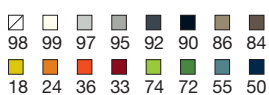
- in HEWI colour 98 (signal white), with active antimicrobial microsilver

**477.04.02005**

**HEWI Glass tumbler, flat bottom**

- do., made of opaque white glass

**16 HEWI colours**

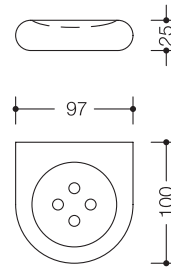


**5 matt HEWI colours**



Item Number

Dimensions in mm / Specification



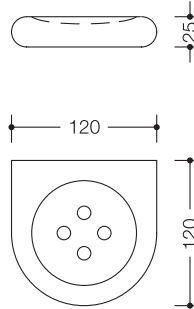
477.02.100  
477.02B100  
⊕ 477.02D100

**HEWI Soap dish**

- soap dish with nodules
- locking system to prevent unauthorised removal
- 97 mm wide, 25 mm high and 100 mm deep
- made of high-quality polyamide in 16 HEWI colours
- made of high-quality matt polyamide in 5 HEWI colours

**HEWI active+ Soap dish**

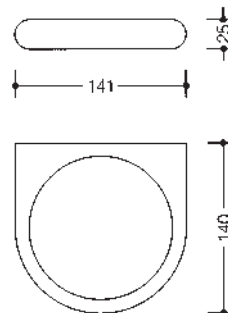
- in HEWI colour 98 (signal white), with active antimicrobial microsilver



477.02.200  
477.02B200

**HEWI Soap dish**

- soap dish with nodules
- locking system to prevent unauthorised removal
- 120 mm wide, 25 mm high and 120 mm deep
- made of high-quality polyamide in 16 HEWI colours
- made of high-quality matt polyamide in 5 HEWI colours



477.00.200  
477.00B200

**HEWI Holder**

- ring-shaped, wall-mounted holder for large soap dish
- 141 mm wide, 25 mm high and 140 mm deep, insert opening  $\varnothing$  115 mm
- made of high-quality polyamide in 16 HEWI colours
- made of high-quality matt polyamide in 5 HEWI colours

**5 matt HEWI colours**



Detailed information about the spare parts can be found here:  
[www.hewi.com/en/spare-parts](http://www.hewi.com/en/spare-parts)

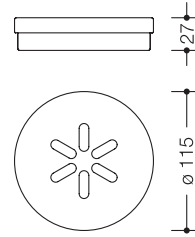
Item Number

Dimensions in mm / Specification

Range 477/801



**477.02.02005**



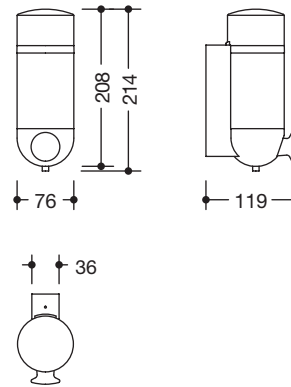
**HEWI Soap dish insert**

- made of opaque white glass with star-shaped nodules
- fits as insert in large holder (477.00...200)
- 27 mm high, ø 115 mm



**477.06.10005**  
**477.06B10005**

⊕ **477.06D10005**



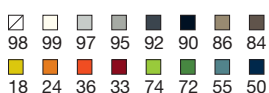
**HEWI Soap dispenser**

- soap dosage control by means of push-button on front
- allows one-hand operation
- concealed screw fitting to prevent unauthorised removal
- lockable container lid
- wall-mounted base to conceal drill holes to be ordered separately (see below)
- 76 mm wide, 214 mm high, 119 mm deep, container ø 75 mm
- capacity 500 ml, not suitable for disinfectant!
- holder made of high-quality polyamide
- push-button in HEWI colour 92 (anthracite grey)
- container and lid made of opaque white transparent synthetic material
- made of high-quality polyamide in 16 HEWI colours
- made of high-quality matt polyamide in 5 HEWI colours

**HEWI active+ Soap dispenser**

- holder in HEWI colour 98 (signal white), with active antimicrobial microsilver

**16 HEWI colours**

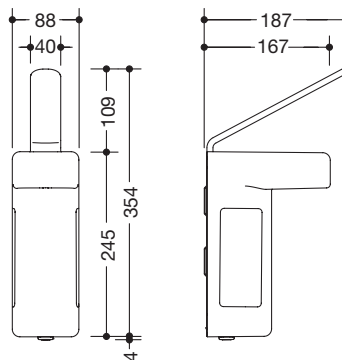


**477.06.E04**  
**477.06BE04**  
**477.06DE04**  
**66182**

**HEWI Wall-mounted base for soap dispenser 477.06.10005**  
**HEWI Wall-mounted base for soap dispenser 477.06B10005**  
**HEWI Wall-mounted base for soap dispenser 477.06D10005**  
**HEWI Pump unit for soap dispenser**

Item Number

Dimensions in mm / Specification



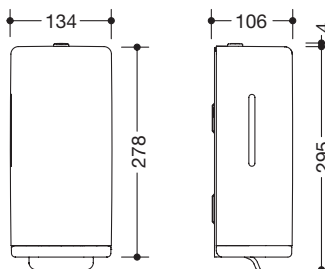
**HEWI Disinfectant/soap dispenser**

- with viewing windows on the sides for monitoring the fill level
- for dispensing controlled quantities of chlorine-free, alcohol-based hand disinfectants or liquid soaps
- for 500 ml Euro standard bottles
- the disposable bottle are easy to replace from the front
- dispenser with long lever, lockable
- dosing quantity adjustable in several steps: 0,7 ml, 1,0 ml, 1,2 ml, 1,5 ml (depending on the viscosity of the product)
- dosing pump made of high-quality stainless steel
- compatible with hygienic packaging (collapsing bottle with disposable pump)
- dispenser/pump dishwasher safe and autoclavable up to 134 °C, 3 bar
- 88 mm wide, 354 mm high, 187 mm deep
- incl. 500 ml empty container for free refilling
- for wall mounting
- including non-corrosive HEWI fixing material

**New** 477.06.10598  
**New** 477.06.10599

**New** 477.06B10598  
**New** 477.06B10599

- lever made of high-quality polyamide in 16 HEWI colours
- basic body made of polyamide in HEWI colour 98 (signal white)
- basic body made of polyamide in HEWI colour 99 (pure white)
- lever made of high-quality matt polyamide in 5 HEWI colours
- basic body made of polyamide in HEWI colour 98 (signal white)
- basic body made of polyamide in HEWI colour 99 (pure white)



**HEWI Soap dispenser**

- with inner container for free filling, capacity 600 ml
- inner container can be removed for cleaning
- side level indicator
- with lever for manual soap dispensing
- locking system as protection against misuse
- 134 mm wide, 278 mm high and 106 mm deep
- for wall mounting
- including non-corrosive HEWI fixing material

**New** 477.06.10198  
**New** 477.06.10199

**New** 477.06B10198  
**New** 477.06B10199

- frame element made of high-quality polyamide in 16 HEWI colours
- basic body / lever made of polyamide in HEWI colour 98 (signal white)
- basic body / lever made of polyamide in HEWI colour 99 (pure white)
- frame element made of high-quality matt polyamide in 5 HEWI colours
- basic body / lever made of polyamide in HEWI colour 98 (signal white)
- basic body / lever made of polyamide in HEWI colour 99 (pure white)

**5 matt HEWI colours**



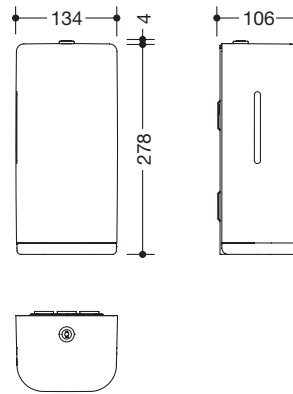
Detailed information about the spare parts can be found here:  
[www.hewi.com/en/spare-parts](http://www.hewi.com/en/spare-parts)

Item Number

Dimensions in mm / Specification



Range 477/801



**HEWI SENSORIC Liquid soap dispenser**

- to be filled with standard liquid soap
- with inner container for free filling, capacity 500 ml
- inner container can be removed for cleaning
- side level indicator
- non-contact soap dispensing
- enclosed sticker to identify the dispenser (if required to distinguish between soap dispenser, foam soap dispenser and disinfectant dispenser)
- illumination of the output area when the sensor is activated (blue light)
- with battery change indicator
- locking system as protection against misuse
- maintenance-free
- 134 mm wide, 278 mm high and 106 mm deep
- for wall mounting
- batteries (AA 1,5 V/4 pcs.) not included in delivery

**New** 477.06.10298  
**New** 477.06.10299

**New** 477.06B10298  
**New** 477.06B10299

- frame element made of high-quality polyamide in 16 HEWI colours
- basic body made of polyamide in HEWI colour 98 (signal white)
- basic body made of polyamide in HEWI colour 99 (pure white)
- frame element made of high-quality matt polyamide in 5 HEWI colours
- basic body made of polyamide in HEWI colour 98 (signal white)
- basic body made of polyamide in HEWI colour 99 (pure white)

**HEWI SENSORIC Foam soap dispenser**

- do., to be filled with standard foam soap
- non-contact foam soap dispensing
- frame element made of high-quality polyamide in 16 HEWI colours
- basic body made of polyamide in HEWI colour 98 (signal white)
- basic body made of polyamide in HEWI colour 99 (pure white)
- frame element made of high-quality matt polyamide in 5 HEWI colours
- basic body made of polyamide in HEWI colour 98 (signal white)
- basic body made of polyamide in HEWI colour 99 (pure white)

**New** 477.06.10398  
**New** 477.06.10399

**New** 477.06B10398  
**New** 477.06B10399

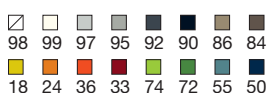
**HEWI SENSORIC Disinfectant dispenser**

- do., to be filled with standard disinfectant
- non-contact disinfectant dispensing
- frame element made of high-quality polyamide in 16 HEWI colours
- basic body made of polyamide in HEWI colour 98 (signal white)
- basic body made of polyamide in HEWI colour 99 (pure white)
- frame element made of high-quality matt polyamide in 5 HEWI colours
- basic body made of polyamide in HEWI colour 98 (signal white)
- basic body made of polyamide in HEWI colour 99 (pure white)

**New** 477.06.10498  
**New** 477.06.10499

**New** 477.06B10498  
**New** 477.06B10499

**16 HEWI colours**

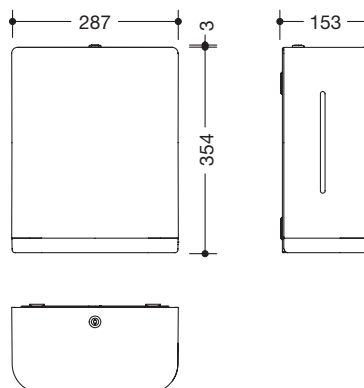


477.06.E0360

**HEWI Drip tray**

Item Number

Dimensions in mm / Specification

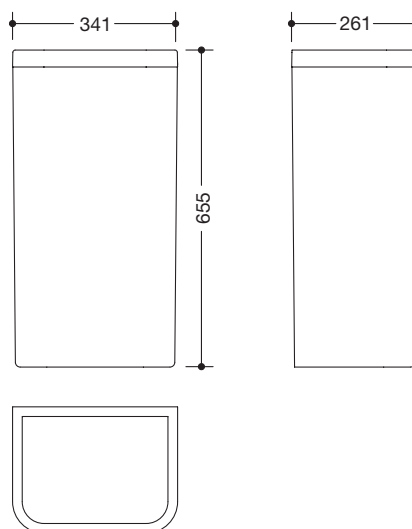


**New** 477.06.60198  
**New** 477.06.60199

**New** 477.06B60198  
**New** 477.06B60199

**HEWI Paper towel dispenser**

- to hold standard paper towels with different folds in the width 235 - 250 mm and folded length / depth of 80 - 110 mm (HEWI recommends paper towels with Z-fold)
- capacity approx. 300 - 450 paper towels, side level indicator
- locking system as protection against misuse
- 287 mm wide, 354 mm high and 153 mm deep
- for wall mounting
- including non-corrosive HEWI fixing material
- frame element made of high-quality polyamide in 16 HEWI colours
- basic body made of polyamide in HEWI colour 98 (signal white)
- basic body made of polyamide in HEWI colour 99 (pure white)
- frame element made of high-quality matt polyamide in 5 HEWI colours
- basic body made of polyamide in HEWI colour 98 (signal white)
- basic body made of polyamide in HEWI colour 99 (pure white)



**New** 477.05.20398  
**New** 477.05.20399

**New** 477.05B20398  
**New** 477.05B20399

**HEWI Waste bin**

- capacity approx. 60 l, invisible, integrated bag holder
- 341 mm wide, 655 mm high and 261 mm deep
- for wall mounting and as a free-standing model
- including non-corrosive HEWI fixing material
- frame element made of high-quality polyamide in 16 HEWI colours
- basic body made of polyamide in HEWI colour 98 (signal white)
- basic body made of polyamide in HEWI colour 99 (pure white)
- frame element made of high-quality matt polyamide in 5 HEWI colours
- basic body made of polyamide in HEWI colour 98 (signal white)
- basic body made of polyamide in HEWI colour 99 (pure white)

**5 matt HEWI colours**

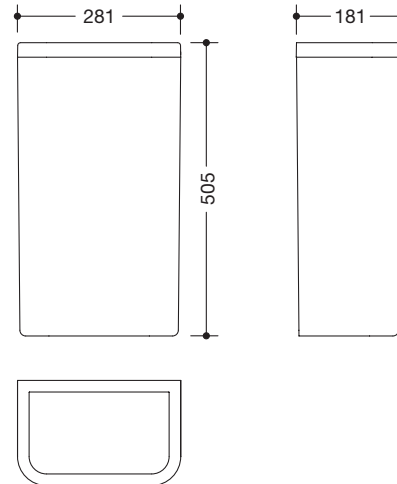




Item Number

Dimensions in mm / Specification

Range 477/801

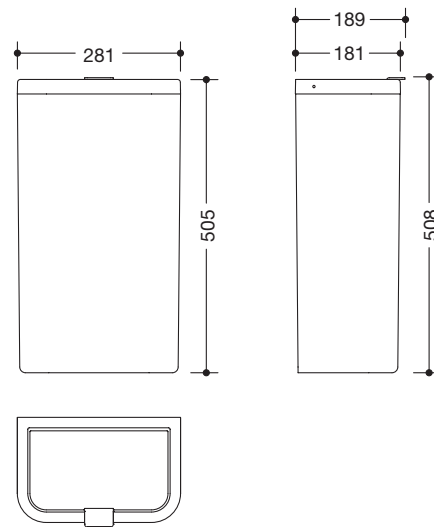


**HEWI Waste paper bin**

- capacity approx. 25 l
- invisible, integrated bag holder
- 281 mm wide, 505 mm high and 181 mm deep
- for wall mounting
- including non-corrosive HEWI fixing material
- frame element made of high-quality polyamide in 16 HEWI colours
- basic body made of polyamide in HEWI colour 98 (signal white)
- basic body made of polyamide in HEWI colour 99 (pure white)
- frame element made of high-quality matt polyamide in 5 HEWI colours
- basic body made of polyamide in HEWI colour 98 (signal white)
- basic body made of polyamide in HEWI colour 99 (pure white)

**New** 477.05.20198  
**New** 477.05.20199

**New** 477.05B20198  
**New** 477.05B20199



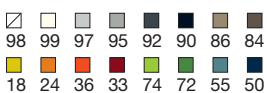
**HEWI Waste paper bin**

- do., with lid with lifting flap
- frame element made of high-quality polyamide in 16 HEWI colours
- basic body / lid made of polyamide in HEWI colour 98 (signal white)
- basic body / lid made of polyamide in HEWI colour 99 (pure white)
- frame element made of high-quality matt polyamide in 5 HEWI colours
- basic body / lid made of polyamide in HEWI colour 98 (signal white)
- basic body / lid made of polyamide in HEWI colour 99 (pure white)

**New** 477.05.20298  
**New** 477.05.20299

**New** 477.05B20298  
**New** 477.05B20299

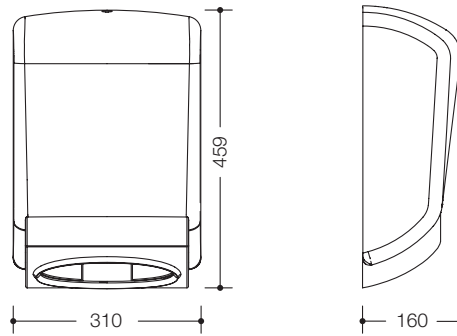
**16 HEWI colours**



Detailed information about the spare parts can be found here:  
[www.hewi.com/en/spare-parts](http://www.hewi.com/en/spare-parts)

Item Number

Dimensions in mm / Specification



**477.06.60005**

**477.06B60005**

⊕ **477.06D60005**

**HEWI Paper towel dispenser**

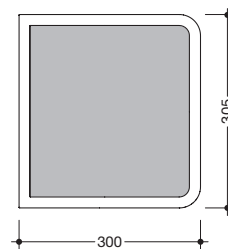
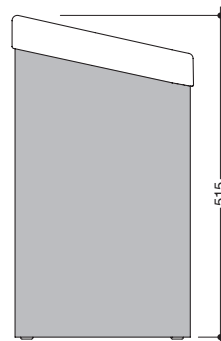
- for accommodating standard paper towels
- capacity approx. 450 pieces
- user-friendly access aperture, easy to fill and lockable
- for wall mounting
- 310 mm wide, 459 mm high, 160 mm deep
- container made of high-quality, white-translucent synthetic material

· access aperture edging made of high-quality polyamide in 16 HEWI colours

· access aperture edging made of high-quality matt polyamide in 5 HEWI colours

**HEWI active+ Paper towel dispenser**

- in HEWI colour 98 (signal white), with active antimicrobial microsilver



**477.05.20012**

**477.05B20012**

⊕ **477.05D20012**

**HEWI Paper towel basket**

- rectangular container made of perforated plate with polyamide top
- removable top holds and covers waste bags
- suitable for 60 l bags, free-standing or for wall mounting
- 305 mm wide, 515 mm high and 300 mm deep

· removable top made of high-quality polyamide in 16 HEWI colours

· removable top made of high-quality matt polyamide in 5 HEWI colours

**HEWI active+ Paper towel basket**

- in HEWI colour 98 (signal white), with active antimicrobial microsilver

5 matt HEWI colours



**477.06.E01**

**477.06.E02**

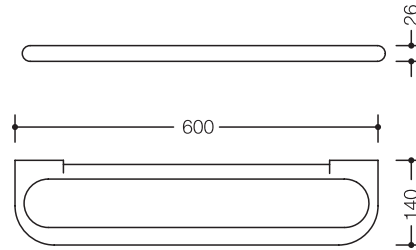
**HEWI Spare key for paper towel dispenser**

**HEWI Container for paper towel dispenser**

Item Number

Dimensions in mm / Specification

Range 477/801



477.03.100

**HEWI Shelf**

- locking system to prevent unauthorised removal
- 600 mm wide, 26 mm high and 140 mm deep
- including non-corrosive HEWI fixing material

477.03B100

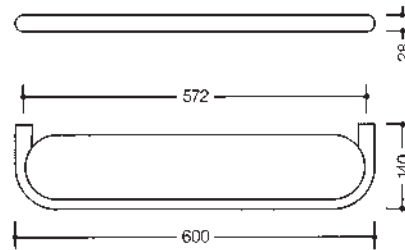
- made of high-quality polyamide in HEWI colours 98 (signal white), 99 (pure white), 97 (light grey), 95 (stone grey), 86 (sand), 84 (umber), 24 (orange), 33 (ruby red), 74 (apple green) and 55 (aqua blue)



⊕ 477.03D100

**HEWI active+ Shelf**

- in HEWI colour 98 (signal white), with active antimicrobial microsilver



477.03.10005  
801.03.100

**HEWI Shelf**

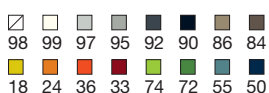
- plate shelf fitted in holder with raised edge
- locking system to prevent unauthorised removal
- 600 mm wide, 28 mm high and 140 mm deep, plate 572 mm wide

477.03B10005  
801.03B100

- frame made of high-quality polyamide in 16 HEWI colours
- opaque white glass shelf
- opaque white synthetic material shelf

- frame made of high-quality matt polyamide in 5 HEWI colours
- opaque white glass shelf
- opaque white synthetic material shelf

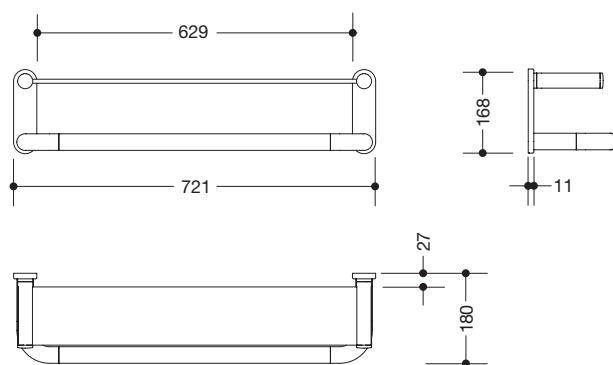
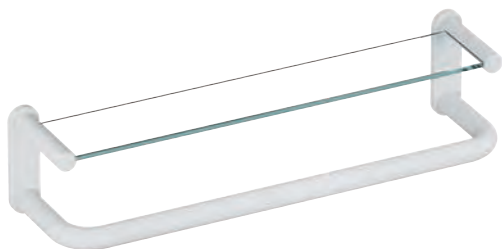
**16 HEWI colours**



Detailed information about the spare parts can be found here:  
[www.hewi.com/en/spare-parts](http://www.hewi.com/en/spare-parts)

Item Number

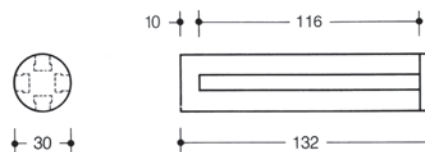
Dimensions in mm / Specification



801.03.200  
801.03B200

**HEWI Shelf with support rail**

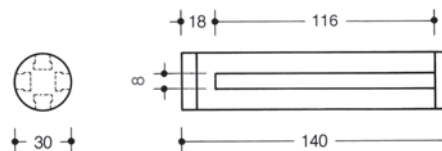
- shelf consisting of lateral supports and a shelf made of glass
- integrated support rail on low-level
- used for support, for standing up independently and for holding accessories
- continuous mirror solution possible, maximum mirror width 600 mm
- 721 mm wide, 168 mm high, 180 mm deep
- including non-corrosive HEWI fixing material
- made of high-quality polyamide in 16 HEWI colours
- made of high-quality matt polyamide in 5 HEWI colours



477.03.500  
477.03B500

**HEWI Shelf bracket**

- ø 30 mm, with four slots for 8 mm plate glass, 116 mm deep
- with three inserts for unused slots
- supplied per pair
- not for combination with shelf bracket 477.03...510
- made of high-quality polyamide in 16 HEWI colours
- made of high-quality matt polyamide in 5 HEWI colours



477.03.510  
477.03B510

**HEWI Shelf bracket**

- ø 30 mm, with four slots for 8 mm plate glass, 116 mm deep
- with three inserts for unused slots
- supplied per pair
- not for combination with shelf bracket 477.03...500
- made of high-quality polyamide in 16 HEWI colours
- made of high-quality matt polyamide in 5 HEWI colours

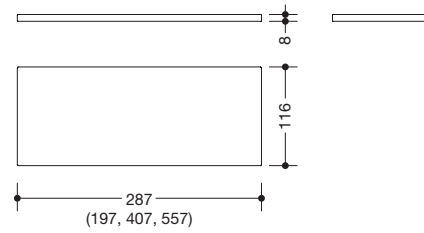
**5 matt HEWI colours**



Item Number

Dimensions in mm / Specification

Range 477/801



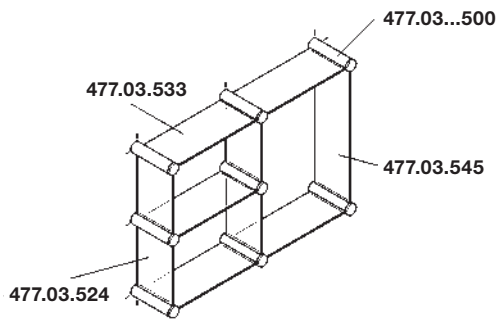
**477.03.524**  
**477.03.533**  
**477.03.545**  
**477.03.560**

**HEWI Glass plate**

- for use with shelf brackets 477.03...500 or 477.03...510
- 116 mm deep, 8 mm thick
- clear glass with polished edges

197 mm wide (mounting distance of holder 210 mm)  
 287 mm wide (mounting distance of holder 300 mm)  
 407 mm wide (mounting distance of holder 420 mm)  
 557 mm wide (mounting distance of holder 570 mm)

**Example for ordering**



**Ordering aid**

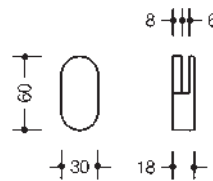
There are four sizes to choose from for the axial distance between holders horizontally: 210 mm, 300 mm, 420 mm and 570 mm.

The recommended distances between axes vertically are 210 mm or 420 mm, as shown in the examples.

**For combinations with mirrors construction depth increases from 132 mm to 140 mm.**

**Example for ordering**

- 4 x glass plate 477.03.524
- 5 x glass plate 477.03.533
- 1 x glass plate 477.03.545
- 4 x Shelf bracketpaar 477.03...500 (8 pieces)



**477.01.100**  
**477.01B100**

**HEWI Mirror clip**

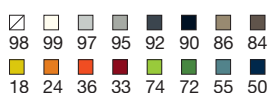
- flat mirror clip, to fit mirrors 6 mm thick
- for combination with 477.01...010 and 477.01...020
- concealed screw fitting to prevent unauthorised removal
- 30 mm wide, 60 mm high and 18 mm deep
- supplied per pair

**41939**  
**68557**

**HEWI Extension piece**

**HEWI Extension piece, matt**

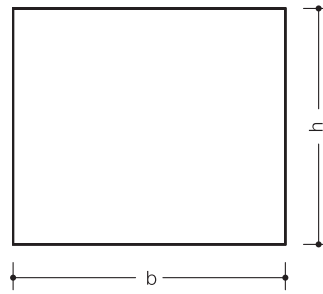
**16 HEWI colours**



Detailed information about the spare parts can be found here:  
[www.hewi.com/en/spare-parts](http://www.hewi.com/en/spare-parts)

Item Number

Dimensions in mm / Specification



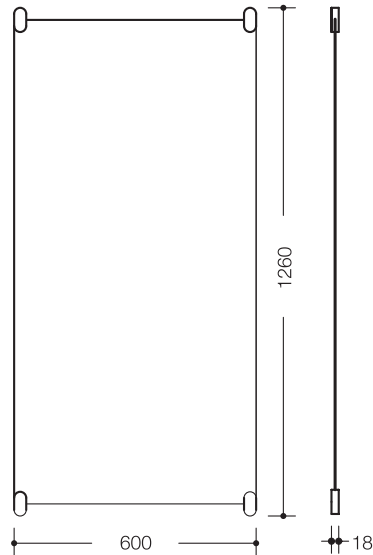
Picture with mirror clips

477.01.010  
477.01.020

**HEWI Plate glass mirror**

- rectangular mirror with polished edges
- can be held by 2 pairs of mirror clips (477.01...100) (to be ordered separately, see previous page)

600 mm wide, 390 mm high, 6 mm deep  
600 mm wide, 540 mm high, 6 mm deep



801.01.300  
801.01B300

**HEWI Plate glass mirror with mirror clips**

- rectangular mirror with polished edges
- is held in place with four mirror clips
- 600 mm wide, 1200 mm high and 6 mm thick
- incl. mirror clips, 1260 mm high

41939  
68557

**HEWI Extension piece**

**HEWI Extension piece, matt**

**6 matt HEWI colours**

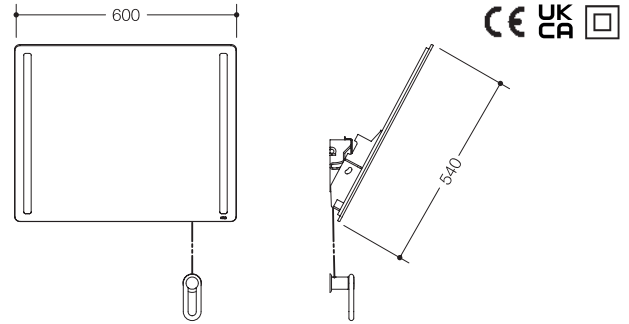
- ☐ 98 ☐ 99 ☐ 97 ☐ 95 ☐ 92
- 90 (additionally for adjustable mirror)

Detailed information about the spare parts can be found here:  
[www.hewi.com/en/spare-parts](http://www.hewi.com/en/spare-parts)

\*For adjustable mirrors, colours 24 (orange) and 72 (may green) are omitted.

Item Number

Dimensions in mm / Specification

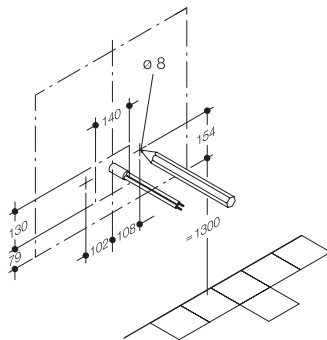


Range 477/801

**HEWI LED Adjustable mirror, basic**

- rectangular, illuminated laminated glass mirror with sanded edges
- integrated shatter protection and integrated LED lights on the side
- mirror adjustable by max. 28° using cranked cord control and therefore usable in standing or sitting position
- for wall mounting, direct connection 200-240 V
- with cord re-routing for pre-wall installation
- with two high-quality LED aluminum light profiles attached to the back
- durable LED in light colour: natural white, approx. 4000 Kelvin, total output approx. 9,6 watt
- LED and ballast are protected, protection class II, rating IP 44
- mirror 600 mm wide, 540 mm high and 6 mm thick
- energy efficiency class A++, A+, A acc. to ordinance (EU) 874/2012
- holding elements and rotating handle: polyamide in 14 HEWI colours
- holding elements and rotating handle: matt polyamide in 6 HEWI colours

801.01.400  
801.01B400

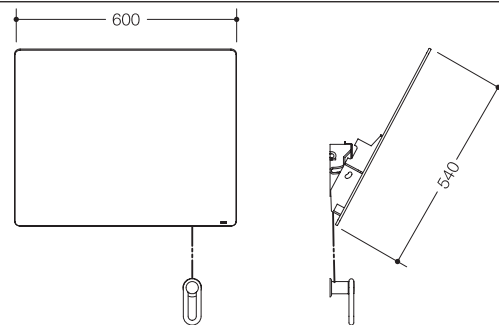


Installation and wiring instructions

801.01.401  
801.01B401

**HEWI LED Adjustable mirror, plus**

- do., light colour continuously adjustable from warm white to cold white (approx. 3000 – 6500 Kelvin), total output approx. 9,6 watt
- light intensity infinitely dimmable
- light control with battery-free Bluetooth radio wall switch (maintenance-free) with EnOcean technology (included in delivery) or possible with existing mobile terminal (free Casambi App)
- radio wall switch pre-programmed, incl. frame hunter Direct Opus 55 Inform, middle section can be used on site in frame of other switch series with inner dimensions 55 x 55 mm
- memory function: last selected light setting is saved for subsequent use
- holding elements and rotating handle: polyamide in 14 HEWI colours
- holding elements and rotating handle: matt polyamide in 6 HEWI colours



**HEWI Adjustable mirror**

- rectangular plate glass mirror with rounded edges and integrated splinter protection foil
- mirror adjustable by max. 28° using cranked cord control and therefore usable in standing or sitting position
- for wall mounting, for prewall mounting with cord re-routing
- 600 mm wide, 540 mm high, 6 mm thick
- holding elements and rotating handle: polyamide in 14 HEWI colours
- holding elements and rotating handle: matt polyamide in 6 HEWI colours

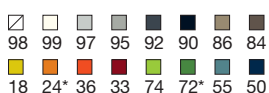
801.01.100  
801.01B100

⊕ 801.01D100

**HEWI active+ Adjustable mirror**

- in HEWI colour 98 (signal white), with active antimicrobial microsilver

**16 HEWI colours**



21755  
54436  
⊕ 62852, 68559  
25244  
⊕ 62851  
68555

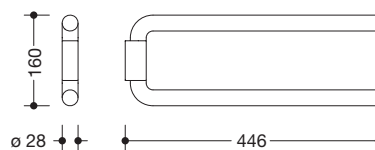
**HEWI Plate glass mirror**  
**HEWI Cord re-routing**  
**HEWI active+ Cord re-routing, Cord re-routing matt**  
**HEWI Rotating handle**  
**HEWI active+ Rotating handle**  
**HEWI Rotating handle, matt**

Item Number

Dimensions in mm / Specification



477.09.100  
477.09B100  
⊕ 477.09D100



**HEWI Towel rail**

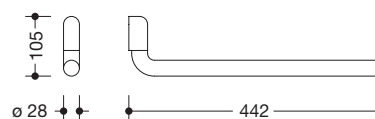
- each bar pivots sideways independently of the other bar
- 446 mm long and 160 mm high; arms  $\varnothing$  28 mm
- made of high-quality polyamide in 16 HEWI colours
- made of high-quality matt polyamide in 5 HEWI colours

**HEWI active+ Towel rail**

- in HEWI colour 98 (signal white), with active antimicrobial microsilver



477.09.200  
477.09B200

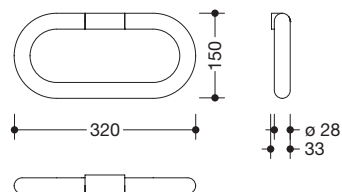


**HEWI Towel rail**

- bar pivots sideways
- 442 mm long and 105 mm high; arm  $\varnothing$  28 mm
- made of high-quality polyamide in 16 HEWI colours
- made of high-quality matt polyamide in 5 HEWI colours



477.09.300  
477.09B300

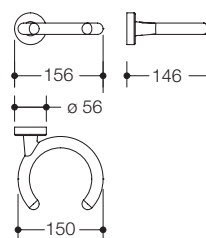


**HEWI Towel ring**

- ring pivots and locks at approx. 30°
- 320 mm wide and 150 mm high,  $\varnothing$  28 mm
- made of high-quality polyamide in 16 HEWI colours
- made of high-quality matt polyamide in 5 HEWI colours



950.90.60090  
950.90B60090  
802.90.E01  
802.90BE01



**HEWI Walking aid holder**

- concealed screw connection, can be used in left or right hand position
- outside  $\varnothing$  150 mm, 146 mm deep and rose  $\varnothing$  56 mm
- made of high-quality polyamide in 16 HEWI colours
- made of high-quality matt polyamide in 5 HEWI colours

**HEWI Walking aid holder**

**HEWI Walking aid holder, matt**

5 matt HEWI colours





Item Number

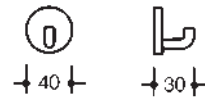
Dimensions in mm / Specification

Range 477/801



**801.90.010**  
**801.90B010**

⊕ **801.90D010**



**HEWI Coat hook**

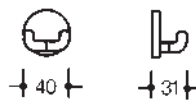
- hook with rose fixing
- concealed screw fitting to prevent unauthorised removal
- 30 mm deep, rose  $\varnothing$  40 mm
- made of high-quality polyamide in 16 HEWI colours
- made of high-quality matt polyamide in 16 HEWI colours

**HEWI active+ Coat hook**

- do., in HEWI colour 98 (signal white), with active antimicrobial microsilver



**801.90.020**  
**801.90B020**



**HEWI Double hook**

- double hook with rose fixing
- concealed screw fitting to prevent unauthorised removal
- 31 mm deep, rose  $\varnothing$  40 mm
- made of high-quality polyamide in 16 HEWI colours
- made of high-quality matt polyamide in 16 HEWI colours



**477.90.040**  
**477.90B040**



**HEWI Hook**

- can be installed under shelf
- concealed screw fitting to prevent unauthorised removal
- 40 mm high, rose  $\varnothing$  40 mm
- made of high-quality polyamide in 16 HEWI colours
- made of high-quality matt polyamide in 16 HEWI colours



**477.90.010**  
**477.90B010**

⊕ **477.90D010**



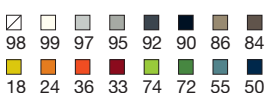
**HEWI Single hook**

- concealed screw fitting to prevent unauthorised removal
- 45 mm deep, rose  $\varnothing$  50 mm
- made of high-quality polyamide in 16 HEWI colours
- made of high-quality matt polyamide in 16 HEWI colours

**HEWI active+ Single hook**

- do., in HEWI colour 98 (signal white), with active antimicrobial microsilver

**16 HEWI colours**



Supplied without fixing material.

Detailed information about the spare parts can be found here:  
[www.hewi.com/en/spare-parts](http://www.hewi.com/en/spare-parts)

Item Number

Dimensions in mm / Specification



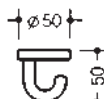
**477.90.025**  
**477.90B025**  
 ⊕ **477.90D025**

**HEWI Double hook**

- concealed screw fitting to prevent unauthorised removal
- 44 mm deep, rose  $\varnothing$  50 mm
- made of high-quality polyamide in 16 HEWI colours
- made of high-quality matt polyamide in 16 HEWI colours

**HEWI active+ Double hook**

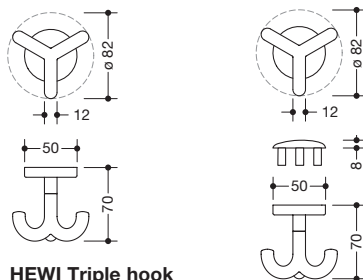
- in HEWI colour 98 (signal white), with active antimicrobial microsilver



**477.90.015**  
**477.90B015**

**HEWI Hook**

- can be installed under shelf
- concealed screw fitting to prevent unauthorised removal
- 50 mm high, rose  $\varnothing$  50 mm
- made of high-quality polyamide in 16 HEWI colours
- made of high-quality matt polyamide in 16 HEWI colours



**477.90.050**  
**477.90B050**  
 ⊕ **477.90D050**

**HEWI Triple hook**

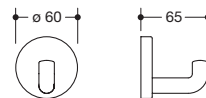
- for screw-mounting from below with 4 mm countersunk screw
- for through-mounting from above with M4 threaded screws and square-head nuts
- rotatable, 70 mm high, rose  $\varnothing$  50 mm
- made of high-quality polyamide in 16 HEWI colours
- made of high-quality matt polyamide in 16 HEWI colours

**HEWI active+ Triple hook**

- in HEWI colour 98 (signal white), with active antimicrobial microsilver

**HEWI Triple hook**

- do., with counter plate for through-mounting from below
- for panels up to 15 mm thickness, polyamide in 16 colours
- for panels up to 15 mm thickness, matt polyamide in 16 colours
- for panels more than 15 mm thickness, polyamide in 16 colours
- for panels more than 15 mm thickness, matt polyamide in 16 colours

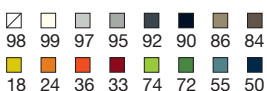


**477.90.045**  
**477.90B045**

**HEWI Coat hook**

- concealed screw fitting to prevent unauthorised removal
- 65 mm deep, rose  $\varnothing$  60 mm
- made of high-quality polyamide in 16 HEWI colours
- made of high-quality matt polyamide in 16 HEWI colours

**16 matt HEWI colours**

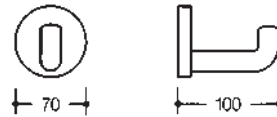


Supplied without fixing material.

Item Number

Dimensions in mm / Specification

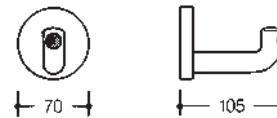
Range 477/801



**477.90.030**  
**477.90B030**

**HEWI Single hook**

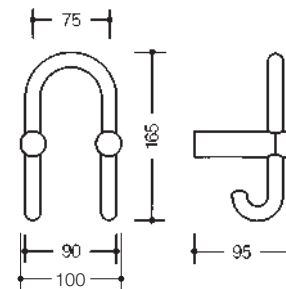
- concealed screw fitting to prevent unauthorised removal
- 100 mm deep, rose  $\varnothing$  70 mm
- made of high-quality polyamide in 16 HEWI colours
- made of high-quality matt polyamide in 16 HEWI colours



**477.90.035**  
**477.90B035**

**HEWI Coat hook**

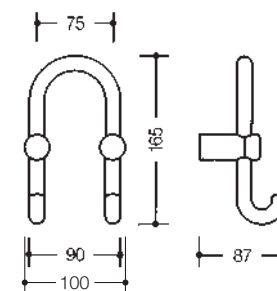
- with black buffer
- concealed screw fitting to prevent unauthorised removal
- 105 mm deep, rose  $\varnothing$  70 mm
- made of high-quality polyamide in 16 HEWI colours
- made of high-quality matt polyamide in 16 HEWI colours



**801.90.030**  
**801.90B030**

**HEWI Double coat hook**

- two polyamide support pins with a stirrup-shaped hook
- reduced risk of injury as hooks face inwards towards wall
- 100 mm wide, 165 mm high and 95 mm deep, c to c 75 mm
- made of high-quality polyamide in 16 HEWI colours
- made of high-quality matt polyamide in 16 HEWI colours

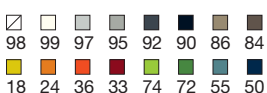


**801.90.040**  
**801.90B040**

**HEWI Double coat hook**

- two polyamide support pins with a stirrup-shaped hook
- hooks facing outwards
- 100 mm wide, 165 mm high and 87 mm deep, c to c 75 mm
- made of high-quality polyamide in 16 HEWI colours
- made of high-quality matt polyamide in 16 HEWI colours

**16 HEWI colours**



Supplied without fixing material.

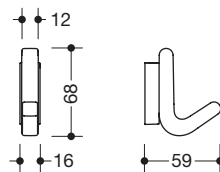
Item Number

Dimensions in mm / Specification



**New** 477.93.010

**New** 477.94B010



**HEWI Single hook**

- rounded edges, concealed fixing
- 16 mm wide, 68 mm high and 59 mm deep
- made of high-quality polyamide in 10 HEWI colours (99, 97, 95, 92, 90, 18, 33, 74, 55, 50)

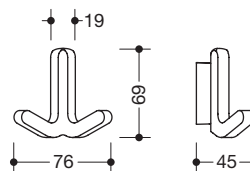
**HEWI Elastic single hook**

- do., yielding material, soft feel and rounded edges reduce the risk of impact and injury
- recommended load: max. 5 kg
- made of elastic and matt synthetic material (TPU) in 10 HEWI colours (99, 97, 95, 92, 90, 18, 33, 74, 55, 50)



**New** 477.93.020

**New** 477.94B020



**HEWI Double hook**

- rounded edges, concealed fixing
- 76 mm wide, 69 mm high and 45 mm deep
- made of high-quality polyamide in 10 HEWI colours (99, 97, 95, 92, 90, 18, 33, 74, 55, 50)

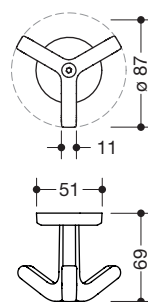
**HEWI Elastic double hook**

- do., yielding material, soft feel and rounded edges reduce the risk of impact and injury
- recommended load: max. 5 kg per hook part
- made of elastic and matt synthetic material (TPU) in 10 HEWI colours (99, 97, 95, 92, 90, 18, 33, 74, 55, 50)



**New** 477.93.030

**New** 477.94B030



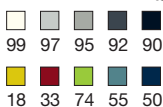
**HEWI Triple hook**

- rotatable hook to be screwed on from below
- rounded edges
- rose  $\varnothing$  51 mm, 80 mm wide, 69 mm high
- concealed fixing
- made of high-quality polyamide in 10 HEWI colours (99, 97, 95, 92, 90, 18, 33, 74, 55, 50)

**HEWI Elastic triple hook**

- do., yielding material, soft feel and rounded edges reduce the risk of impact and injury
- recommended load: max. 5 kg per hook part
- made of elastic and matt synthetic material (TPU) in 10 HEWI colours (99, 97, 95, 92, 90, 18, 33, 74, 55, 50)

10 HEWI colours (glossy | matt)



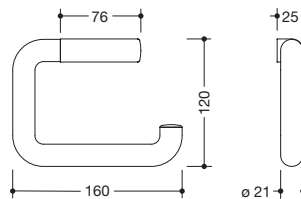


Item Number

Dimensions in mm / Specification



- 477.21.100
- 477.21B100
- ⊕ 477.21D100
  
- 4471
- ⊕ 62718, 68558



**HEWI Toilet roll holder**

- concealed screw fitting to prevent unauthorised removal
- 160 mm wide, 120 mm high,  $\varnothing$  21 mm
- made of high-quality polyamide in 16 HEWI colours
- made of high-quality matt polyamide in 5 HEWI colours

**HEWI active+ Toilet roll holder**

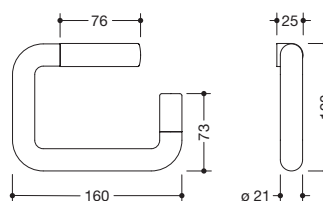
- in HEWI colour 98 (signal white), with active antimicrobial microsilver

**HEWI End cap**

**HEWI active+ End cap, matt**



- 477.21.150
- 477.21B150
- 42527
- 18565
- 68554



**HEWI Toilet roll holder**

- retaining element to prevent unauthorised removal of toilet roll
- concealed screw fitting to prevent unauthorised removal
- HEWI key included in delivery
- 160 mm wide, 120 mm high,  $\varnothing$  21 mm
- made of high-quality polyamide in 16 HEWI colours
- made of high-quality matt polyamide in 5 HEWI colours

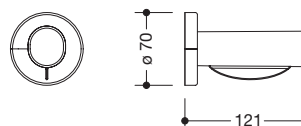
**HEWI Key**

**HEWI Retaining element**

**HEWI Retaining element, matt**



- 801.21.300
- 801.21B300

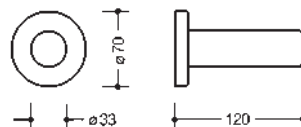


**HEWI Toilet roll holder**

- cylindrical holder with rose fixing and friction/rotation control
- to accommodate standard toilet rolls
- concealed fixing on the wall
- 121 mm long, cylindrical holder  $\varnothing$  34 mm, rose  $\varnothing$  70 mm
- made of high-quality polyamide in 16 HEWI colours
- made of high-quality matt polyamide in 5 HEWI colours



- 477.21.200
- 477.21B200
- ⊕ 477.21D200



**HEWI Spare roll holder**

- concealed screw fitting to prevent unauthorised removal
- 120 mm long,  $\varnothing$  33 mm, rose  $\varnothing$  70 mm
- made of high-quality polyamide in 16 HEWI colours
- made of high-quality matt polyamide in 5 HEWI colours

**HEWI active+ Spare roll holder**

- in HEWI colour 98 (signal white), with active antimicrobial microsilver

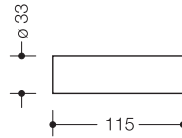
**5 matt HEWI colours**



Item Number

Dimensions in mm / Specification

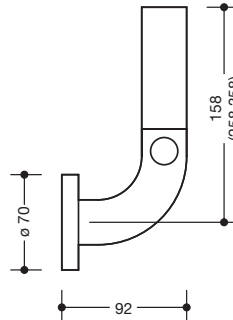
Range 477/801



**477.21.300**  
**477.21B300**

**HEWI Spare roll holder**

- concealed screw fitting to prevent unauthorised removal
- for wall mounting
- 115 mm long,  $\varnothing$  33 mm
- made of high-quality polyamide in 16 HEWI colours
- made of high-quality matt polyamide in 5 HEWI colours

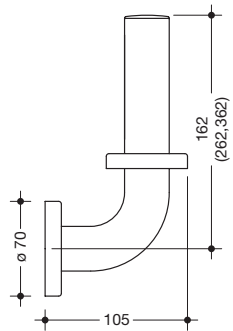


**801.21.201**  
**801.21.202**  
**801.21.203**

**HEWI Spare roll holder**

- right-angled holder pointing upwards with rose fixing
- concealed screw fitting to prevent unauthorised removal
- 92 mm deep, rose  $\varnothing$  70 mm, to accommodate standard toilet rolls
- made of high-quality polyamide in 16 HEWI colours
- for one toilet roll, 158 mm high
- for two toilet rolls, 258 mm high
- for three toilet rolls, 358 mm high
- made of high-quality matt polyamide in 5 HEWI colours
- for one toilet roll, 158 mm high
- for two toilet rolls, 258 mm high
- for three toilet rolls, 358 mm high

**801.21B201**  
**801.21B202**  
**801.21B203**



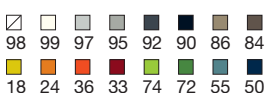
**801.21.401**  
**801.21.402**  
**801.21.403**

**HEWI Spare roll holder**

- right-angled holder pointing upwards with rose fixing
- concealed screw fitting to prevent unauthorised removal
- 105 mm deep, rose  $\varnothing$  70 mm, to accommodate standard toilet rolls
- made of high-quality polyamide in 16 HEWI colours
- for one toilet roll, 162 mm high
- for two toilet rolls, 262 mm high
- for three toilet rolls, 362 mm high
- made of high-quality matt polyamide in 5 HEWI colours
- for one toilet roll, 162 mm high
- for two toilet rolls, 262 mm high
- for three toilet rolls, 362 mm high

**801.21B401**  
**801.21B402**  
**801.21B403**

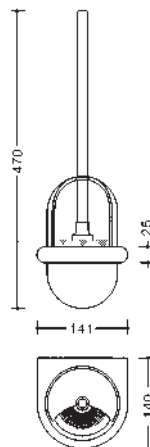
**16 HEWI colours**



Detailed information about the spare parts can be found here:  
[www.hewi.com/en/spare-parts](http://www.hewi.com/en/spare-parts)

Item Number

Dimensions in mm / Specification



477.20.100  
477.20B100

⊕ 477.20D100

477.20.10005

477.20B10005

**HEWI Toilet brush unit**

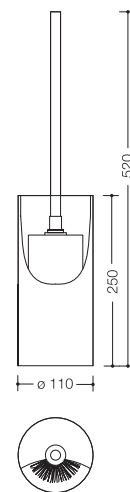
- brush handle with easily replaceable brush head by bayonet fixing
- brush head made of black polyamide, ø 81 mm
- brush container with round bottom and spherical semi-open top in ring-shaped holder, upper part free rotating
- container is removable, but can also be fitted to prevent unauthorised removal
- concealed screw fitting to prevent unauthorised removal
- 141 mm wide, 470 mm high, 140 mm deep
- made of high-quality polyamide in 16 HEWI colours
- made of high-quality matt polyamide in 5 HEWI colours

**HEWI active+ Toilet brush unit**

- in HEWI colour 98 (signal white), with active antimicrobial microsilver

**HEWI Toilet brush unit**

- do., brush container made of high-quality polyamide in 16 HEWI colours, upper part: white translucent synthetic material
- do., brush container made of high-quality matt polyamide in 5 HEWI colours, upper part: white translucent matt synthetic material



477.20.200  
477.20B200

**HEWI Toilet brush unit**

- brush handle with easily replaceable brush head by bayonet fixing
- brush head made of black polyamide, ø 81 mm
- cylindrical brush container with side opening, free-standing
- ø 110 mm, 250 mm high, together with brush 520 mm high
- made of high-quality polyamide in 16 HEWI colours
- made of high-quality matt polyamide in 5 HEWI colours

5 matt HEWI colours



477.20.E04  
477.20BE04

⊕ 62850

477.20...E03  
477.20...010

**HEWI Toilet brush container**

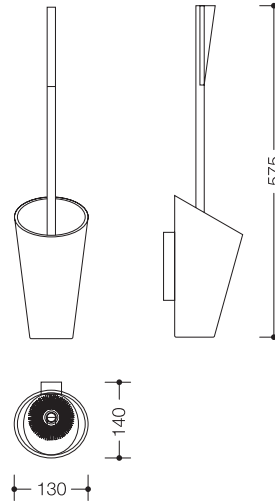
- HEWI Toilet brush container, matt**
- HEWI active+ Toilet brush container**
- HEWI Brush handle**
- HEWI Toilet brush**



Item Number

Dimensions in mm / Specification

Range 477/801



801.20.100  
801.20B100

**HEWI Toilet brush unit**

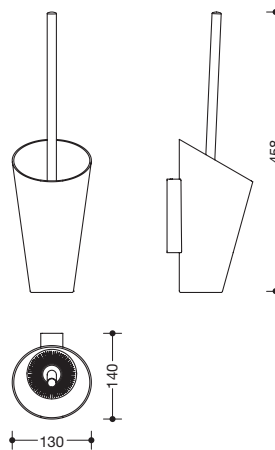
- long brush handle with ergonomic grip for easy use
- brush head made of black polyamide
- cone-shaped container with large opening
- brush head easily replaceable by bayonet fixing, ø 81 mm
- brush is self centring when put into container and automatically stands upright
- with internal reservoir to accommodate disinfectant
- container ist removable, for wall mounting
- 575 mm high, 130 mm wide and 140 mm deep

- made of high-quality polyamide in 16 HEWI colours
- made of high-quality matt polyamide in 5 HEWI colours

801.20.010  
801.20B010

**HEWI Toilet brush**

- 543 mm long, handle 140 mm long, made of high-quality polyamide
- 543 mm long, handle 140 mm long, made of high-quality matt polyamide



801.20.200  
801.20B200

**HEWI Toilet brush unit**

- cone-shaped container with large opening
- brush is self centring when put into container and automatically stands upright
- brush head easily replaceable by bayonet fixing
- with internal reservoir to accommodate disinfectant
- container ist removable, for wall mounting
- 458 mm high, 130 mm wide and 140 mm deep

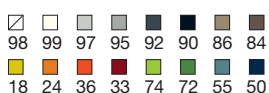
- made of high-quality polyamide in 16 HEWI colours
- made of high-quality matt polyamide in 5 HEWI colours

801.20.020  
801.20B020

**HEWI Toilet brush**

- 425 mm long, brush handle made of high-quality polyamide
- 425 mm long, brush handle made of high-quality matt polyamide

**16 HEWI colours**



921037  
921044  
921038

**HEWI Brush head, packing unit 1**

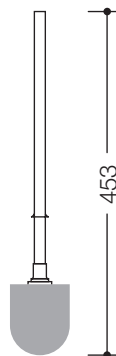
**HEWI Brush head, packing unit 5**

**HEWI Brush head, packing unit 25**

Detailed information about the spare parts can be found here:  
[www.hewi.com/en/spare-parts](http://www.hewi.com/en/spare-parts)

Item Number

Dimensions in mm / Specification



477.20.010  
477.20B010

⊕ 477.20D010

921037  
921044  
921038

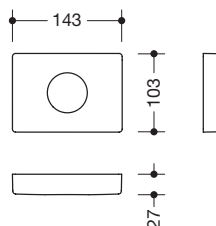
**HEWI Toilet brush**

- brush handle with easily replaceable brush head by bayonet fixing
- brush head made of black polyamide with black bristles
- 453 mm long, brush head ø 81 mm
- brush handle made of high-quality polyamide in 16 HEWI colours
- brush handle made of high-quality matt polyamide in 5 HEWI colours

**HEWI active+ Toilet brush**

- in HEWI colour 98 (signal white), with active antimicrobial microsilver

**HEWI Brush head, packing unit 1**  
**HEWI Brush head, packing unit 5**  
**HEWI Brush head, packing unit 25**



477.06.750  
477.06B750

**HEWI Hygiene bag dispenser**

- used to hold and remove proprietary hygiene bags made of plastic
- 143 mm wide, 103 mm high and 27 mm deep
- for wall mounting including non-corrosive HEWI fixing material
- made of high-quality polyamide in 16 HEWI colours
- made of high-quality matt polyamide in HEWI colours 99 (pure white), 98 (signal white), 97 (light grey), 95 (stone grey), 92 (anthracite grey) and 90 (jet black)

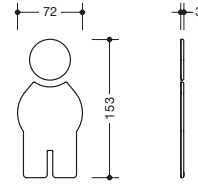
**6 matt HEWI colours**

98 99 97 95 92 90 (additional for hygiene bag dispenser and symbols)

Item Number

Dimensions in mm / Specification

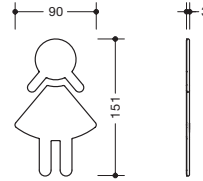
Range 477/801



**801.91.010**  
**801.91B010**

**HEWI Symbol male**

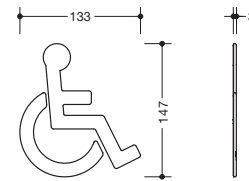
- self-adhesive
- 72 mm wide, 153 mm high and 3 mm thick
- made of high-quality polyamide in 16 HEWI colours
- made of high-quality matt polyamide in 6 HEWI colours



**801.91.020**  
**801.91B020**

**HEWI Symbol female**

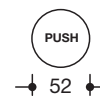
- self-adhesive
- 90 mm wide, 151 mm high and 3 mm thick
- made of high-quality polyamide in 16 HEWI colours
- made of high-quality matt polyamide in 6 HEWI colours



**801.91.030**  
**801.91B030**

**HEWI Symbol accessibility**

- self-adhesive
- 133 mm wide, 147 mm high and 3 mm thick
- made of high-quality polyamide in 16 HEWI colours
- made of high-quality matt polyamide in 6 HEWI colours

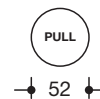


**711D**  
**711BD**

**HEWI Symbol push**

- self-adhesive
- ø 52 mm, 2 mm thick
- made of high-quality polyamide in 16 HEWI colours
- made of high-quality matt polyamide in 6 HEWI colours

In other languages available on request.



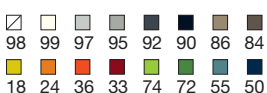
**711Z**  
**711BZ**

**HEWI Symbol pull**

- self-adhesive
- ø 52 mm, 2 mm thick
- made of high-quality polyamide in 16 HEWI colours
- made of high-quality matt polyamide in 6 HEWI colours

In other languages available on request.

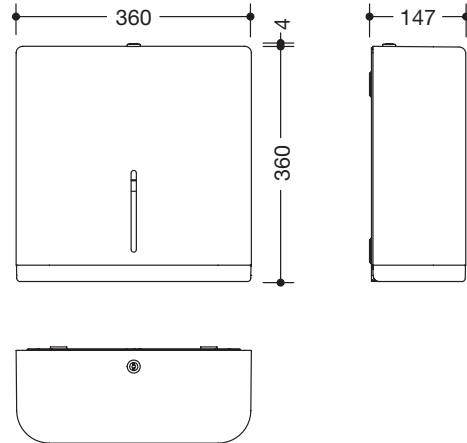
**16 HEWI colours**



Detailed information about the spare parts can be found here:  
[www.hewi.com/en/spare-parts](http://www.hewi.com/en/spare-parts)

Item Number

Dimensions in mm / Specification



**HEWI Large toilet roll holder**

- for holding a standard large toilet roll in diameters from 250 - 320 mm
- level indicator at the front, for wall mounting
- locking system as protection against misuse
- 360 mm wide, 360 mm high and 147 mm deep
- extension possible with carousel 900.21.E01
- including non-corrosive HEWI fixing material

**New** 477.21.60098

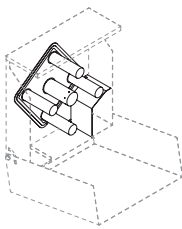
**New** 477.21.60099

**New** 477.21B60098

**New** 477.21B60099

- frame element made of high-quality polyamide in 16 HEWI colours
- basic body made of polyamide in HEWI colour 98 (signal white)
- basic body made of polyamide in HEWI colour 99 (pure white)

- frame element made of high-quality matt polyamide in 5 HEWI colours
- basic body made of polyamide in HEWI colour 98 (signal white)
- basic body made of polyamide in HEWI colour 99 (pure white)



**900.21.E01**

**HEWI Carousel**

- for conversion from large toilet roll holder to quadruple toilet roll holder
- optionally available

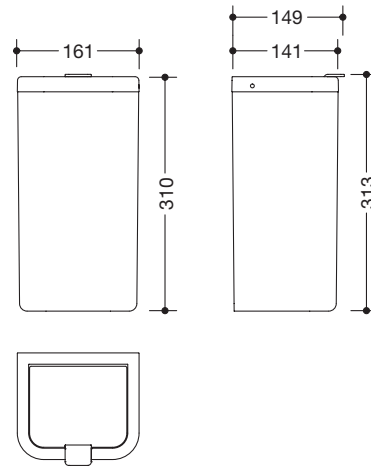
**5 matt HEWI colours**



Item Number

Dimensions in mm / Specification

Range 477/801

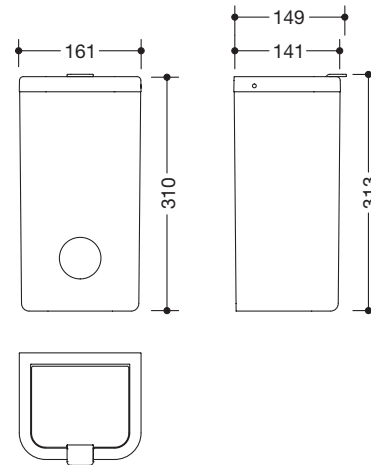


**HEWI Hygiene waste bin**

- capacity approx. 6 l
- invisible, integrated bag holder
- lid with lifting flap
- 161 mm wide, 310 mm high and 141 mm deep
- for wall mounting
- including non-corrosive HEWI fixing material
- frame element made of high-quality polyamide in 16 HEWI colours
- basic body / lid made of polyamide in HEWI colour 98 (signal white)
- basic body / lid made of polyamide in HEWI colour 99 (pure white)
- frame element made of high-quality matt polyamide in 5 HEWI colours
- basic body / lid made of polyamide in HEWI colour 98 (signal white)
- basic body / lid made of polyamide in HEWI colour 99 (pure white)

**New** 477.05.20498  
**New** 477.05.20499

**New** 477.05B20498  
**New** 477.05B20499



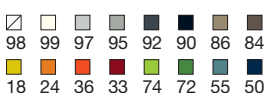
**HEWI Hygiene combination**

- do., with integrated holder for standard hygiene bags made of synthetic material (max. package size L 130 x B 90 x H 20 mm)
- frame element made of high-quality polyamide in 16 HEWI colours
- basic body / lid made of polyamide in HEWI colour 98 (signal white)
- basic body / lid made of polyamide in HEWI colour 99 (pure white)
- frame element made of high-quality matt polyamide in 5 HEWI colours
- basic body / lid made of polyamide in HEWI colour 98 (signal white)
- basic body / lid made of polyamide in HEWI colour 99 (pure white)

**New** 477.05.20598  
**New** 477.05.20599

**New** 477.05B20598  
**New** 477.05B20599

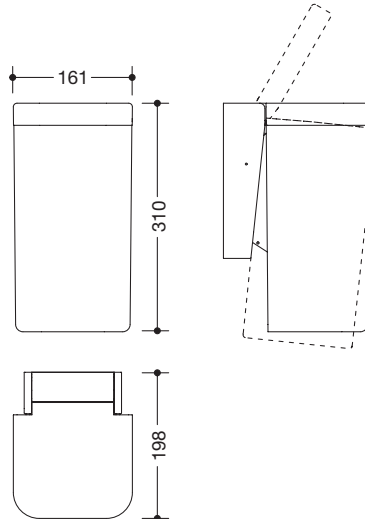
**16 HEWI colours**



Detailed information about the spare parts can be found here:  
[www.hewi.com/en/spare-parts](http://www.hewi.com/en/spare-parts)

Item Number

Dimensions in mm / Specification

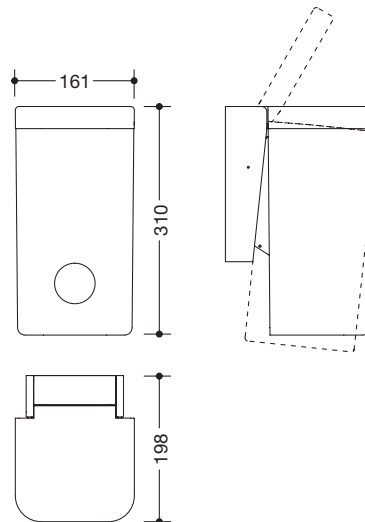


**HEWI Hygiene waste bin**

- capacity approx. 6 l, for wall mounting, removable
- invisible, integrated bag holder
- lid is opened by applying slight pressure to container with the knee or hand
- with self-adhesive label with instructions for knee operation
- 310 mm high and 198 mm deep and 161 mm wide
- including non-corrosive HEWI fixing material
- lid made of high-quality polyamide in 16 HEWI colours
- basic body made of polyamide in HEWI colour 98 (signal white)
- basic body made of polyamide in HEWI colour 99 (pure white)
- lid made of high-quality matt polyamide in 5 HEWI colours
- basic body made of polyamide in HEWI colour 98 (signal white)
- basic body made of polyamide in HEWI colour 99 (pure white)

**New** 477.05.10198  
**New** 477.05.10199

**New** 477.05B10198  
**New** 477.05B10199



**HEWI Hygiene combination**

- do., with integrated holder for standard hygiene bags made of synthetic material (max. package size L 130 x B 90 x H 20 mm)
- lid made of high-quality polyamide in 16 HEWI colours
- basic body made of polyamide in HEWI colour 98 (signal white)
- basic body made of polyamide in HEWI colour 99 (pure white)
- lid made of high-quality matt polyamide in 5 HEWI colours
- basic body made of polyamide in HEWI colour 98 (signal white)
- basic body made of polyamide in HEWI colour 99 (pure white)

**New** 477.05.10298  
**New** 477.05.10299

**New** 477.05B10298  
**New** 477.05B10299

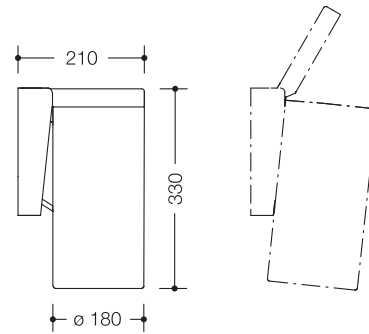
**5 matt HEWI colours**



Item Number

Dimensions in mm / Specification

Range 477/801



477.05.100  
477.05B100

⊕ 477.05D100

51876  
26528

**HEWI Waste bin**

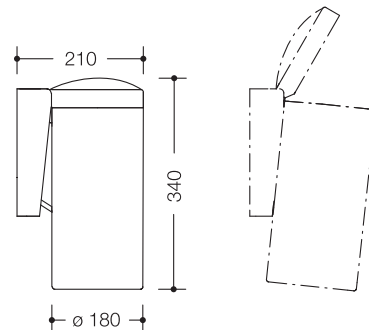
- cylindrical container with hinged lid
- removable waste bin, capacity approx. 6 l
- lid opens by applying slight pressure to container with the knee or hand
- with self-adhesive label with instructions for knee operation
- integrated compartment for standard hygienic bags\*
- only suitable for wall mounting
- 330 mm high and 210 mm deep, ø 180 mm
- made of high-quality polyamide in 16 HEWI colours
- made of high-quality matt polyamide in 5 HEWI colours

**HEWI active+ Waste bin**

- in HEWI colour 98 (signal white), with active antimicrobial microsilver

**HEWI Ring insert**

**HEWI Lid axle**



477.05.300

477.05B300

51876  
26528

**HEWI Waste bin**

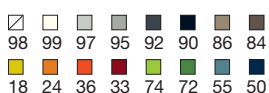
- cylindrical container with hinged lid
- container removable, capacity approx. 6 l
- lid opens by applying slight pressure to container with the knee or hand
- integrated compartment for standard hygienic bags\*
- only suitable for wall mounting
- 340 mm high and 210 mm deep, ø 180 mm
- made of high-quality polyamide in HEWI colours 99 (pure white), 98 (signal white), 97 (light grey), 95 (stone grey), 92 (anthracite grey), 90 (jet black) and 33 (ruby red)
- made of high-quality matt polyamide in 5 HEWI colours

**HEWI Ring insert**

**HEWI Lid axle**



**16 HEWI colours**



\*Hygienic bags from:

Ebner AG, Bürerfeld 16a, CH-9245 Oberbüren

Tel.: +41 719122727

Item no. 126W-12, dimensions: 10 x 7 x 19 cm

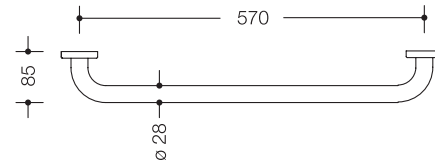




Item Number

Dimensions in mm / Specification

Range 477/801



**477.30.100**  
**477.30B100**

⊕ **477.30D100**

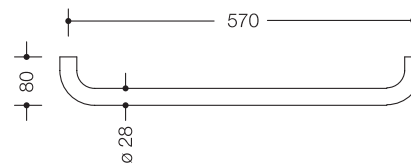
**HEWI Bath towel rail**

- 570 mm wide (c to c), 85 mm deep, ø 28 mm, roses ø 60 mm

- made of high-quality polyamide in 16 HEWI colours
- made of high-quality matt polyamide in 5 HEWI colours

**HEWI active+ Bath towel rail**

- in HEWI colour 98 (signal white), with active antimicrobial microsilver

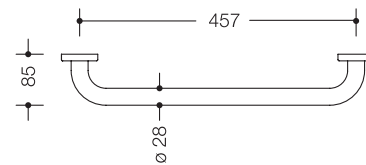


**477.30.110**  
**477.30B110**

**HEWI Bath towel rail without roses**

- 570 mm wide (c to c), 80 mm deep, ø 28 mm

- made of high-quality polyamide in 16 HEWI colours
- made of high-quality matt polyamide in 5 HEWI colours



**477.30.200**  
**477.30B200**

⊕ **477.30D200**

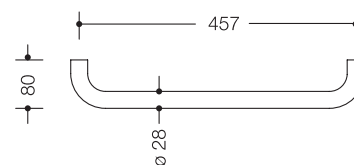
**HEWI Bath towel rail**

- 457 mm wide (c to c), 85 mm deep, ø 28 mm, roses ø 60 mm

- made of high-quality polyamide in 16 HEWI colours
- made of high-quality matt polyamide in 5 HEWI colours

**HEWI active+ Bath towel rail**

- in HEWI colour 98 (signal white), with active antimicrobial microsilver



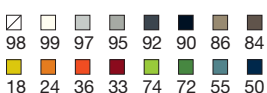
**477.30.210**  
**477.30B210**

**HEWI Bath towel rail without roses**

- 457 mm wide (c to c), 80 mm deep, ø 28 mm

- made of high-quality polyamide in 16 HEWI colours
- made of high-quality matt polyamide in 5 HEWI colours

**16 HEWI colours**



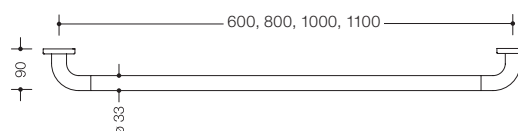
**5 matt HEWI colours**



Detailed information about the spare parts can be found here:  
[www.hewi.com/en/spare-parts](http://www.hewi.com/en/spare-parts)

Item Number

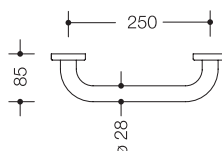
Dimensions in mm / Specification



**HEWI Bath towel rail**

- with corrosion-resistant steel insert
- 90 mm deep,  $\varnothing$  33 mm, roses  $\varnothing$  70 mm

c to c	made of high-quality polyamide in 16 HEWI colours	made of high-quality matt polyamide in 5 HEWI colours	⊕ <b>HEWI active<sup>+</sup></b> with active antimicrobial microsilver in HEWI colour 98 (signal white)
600 mm	<b>477.30.300</b>	<b>477.30B300</b>	<b>477.30D300</b>
800 mm	<b>477.30.310</b>	<b>477.30B310</b>	<b>477.30D310</b>
1000 mm	<b>477.30.320</b>	<b>477.30B320</b>	
1100 mm	<b>477.30.330</b>	<b>477.30B330</b>	
400 - 1100 mm	<b>477.30.3S</b>	<b>477.30B3S</b>	<b>477.30D3S</b>



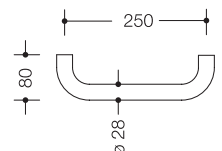
**HEWI Grab bar**

- 250 mm wide (c to c), 85 mm deep,  $\varnothing$  28 mm, roses  $\varnothing$  60 mm
- made of high-quality polyamide in 16 HEWI colours
- made of high-quality matt polyamide in 5 HEWI colours

**477.31.100**  
**477.31B100**  
 ⊕ **477.31D100**

**HEWI active<sup>+</sup> Grab bar**

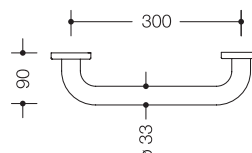
- in HEWI colour 98 (signal white), with active antimicrobial microsilver



**HEWI Grab bar without roses**

- 250 mm wide (c to c), 80 mm deep,  $\varnothing$  28 mm
- supplied with fixing material
- made of high-quality polyamide in 16 HEWI colours
- made of high-quality matt polyamide in 5 HEWI colours

**477.31.110**  
**477.31B110**



**HEWI Grab bar or towel rail**

- 300 mm wide (c to c), 90 mm deep,  $\varnothing$  33 mm, roses  $\varnothing$  70 mm
- made of high-quality polyamide in 16 HEWI colours
- made of high-quality matt polyamide in 5 HEWI colours

**477.31.200**  
**477.31B200**

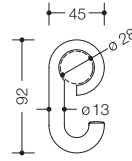
**5 matt HEWI colours**



Item Number

Dimensions in mm / Specification

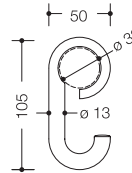
Range 477/801



**HEWI Hook**

- fits on to bath towel rails and grab bars  $\varnothing$  28 mm
- can be moved anywhere on rail as required
- 92 mm high, 45 mm deep,  $\varnothing$  13 mm
- made of high-quality polyamide in 16 HEWI colours
- made of high-quality matt polyamide in 5 HEWI colours

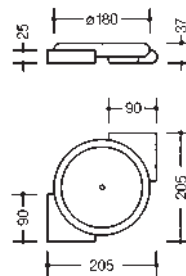
**477.30.E01**  
**477.30B010**



**HEWI Hook**

- fits on to bath towel rails and grab bars  $\varnothing$  33 mm
- can be moved anywhere on rail as required, recom. min. distance 75 mm
- 105 mm high, 50 mm deep,  $\varnothing$  13 mm
- made of high-quality polyamide in 16 HEWI colours
- made of high-quality matt polyamide in 5 HEWI colours

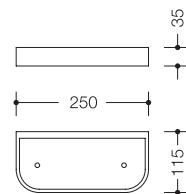
**477.30.020**  
**477.30B020**



**HEWI Corner shelf**

- round dish with drain hole, fitted between two holders either at right angles or parallel to one another
- for mounting on walls or in corners ( $80^{\circ}$ - $135^{\circ}$ )
- 205 mm wide, 205 mm deep and 37 mm high
- shelf area  $\varnothing$  150 mm, holders 90 mm wide and deep
- made of high-quality polyamide in 16 HEWI colours
- made of high-quality matt polyamide in 5 HEWI colours

**477.32.100**  
**477.32B100**

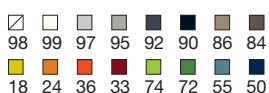


**HEWI Storage dish**

- elongated dish with flat bottom and two drain holes
- fits on wall in wall-mounted holder
- removable, 250 mm wide, 35 mm high and 115 mm deep
- made of high-quality polyamide in 16 HEWI colours
- made of high-quality matt polyamide in 5 HEWI colours

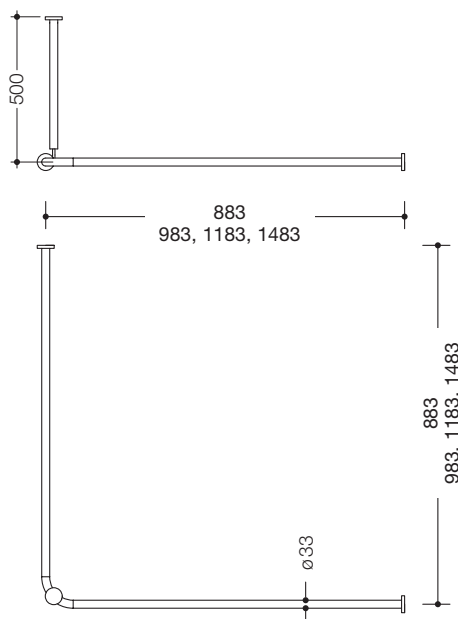
**477.03.300**  
**477.03B300**

**16 HEWI colours**



Item Number

Dimensions in mm / Specification



**HEWI Shower curtain rail with ceiling support**

- with aluminum core
- length at ends can be shortened on site to 220 mm
- rails ø 33 mm, roses ø 70 mm
- ceiling support 500 mm long, length can be adjusted by 10 mm and can be shortened at the rose by a maximum of 100 mm

**for shower tray 900 x 900 mm**

- c to c 883 x 883 mm, with 18 curtain rings
- recommended HEWI standard width (F) 2500 mm
- made of high-quality polyamide in 16 HEWI colours
- made of high-quality matt polyamide in 5 HEWI colours

**for shower tray 1000 x 1000 mm**

- c to c 983 x 983 mm, with 20 curtain rings
- recommended HEWI standard width (F) 2900 mm
- made of high-quality polyamide in 16 HEWI colours
- made of high-quality matt polyamide in 5 HEWI colours

**for shower tray 1200 x 1200 mm**

- c to c 1183 x 1183 mm, with 24 curtain rings
- recommended HEWI standard width (F) 3500 mm
- made of high-quality polyamide in 16 HEWI colours
- made of high-quality matt polyamide in 5 HEWI colours

**for shower tray 1500 x 1500 mm**

- c to c 1483 x 1483 mm, with 28 curtain rings
- recommended HEWI standard width (F) 4000 mm
- made of high-quality polyamide in 16 HEWI colours
- made of high-quality matt polyamide in 5 HEWI colours

**HEWI Curtain rings, packing unit 5 pcs.**

**HEWI Curtain rings, packing unit 5 pcs., matt**

801.34.1461  
801.34B1461

801.34.1061  
801.34B1061

801.34.1161  
801.34B1161

801.34.1261  
801.34B1261

801.34.E01  
68560

**5 matt HEWI colours**



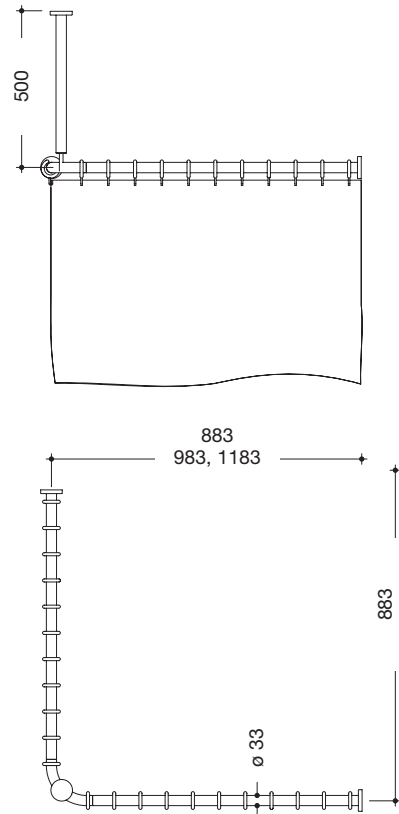
**Fixing material BM210** included in delivery page 742

**HEWI Shower curtain** see register Shower curtains  
more HEWI shower curtain rails pages 114-118

Item Number

Dimensions in mm / Specification

Range 477/801



**HEWI Shower curtain rail with ceiling support and shower curtain**

- made of high-quality polyamide with aluminum core
- length at ends can be shortened on site to 220 mm
- rails  $\varnothing$  33 mm, roses  $\varnothing$  70 mm
- ceiling support 500 mm long, length can be adjusted by 10 mm and can be shortened at the rose by a maximum of 100 mm
- shower curtain made of 100 % polyester, with stainless steel roll seam and top edge with punched stainless steel eyelets, shower proof, washable at 30 °C

**for shower tray 900 x 900 mm**

- c to c 883 x 883 mm, with 18 curtain rings
- curtain 2500 mm wide, 2000 mm high

- made of high-quality polyamide in 16 HEWI colours
- made of high-quality matt polyamide in 5 HEWI colours

**801.34.1462**  
**801.34B1462**

**for shower tray 1000 x 1000 mm**

- c to c 983 x 983 mm, with 20 curtain rings
- curtain 3000 mm wide, 2000 mm high

- made of high-quality polyamide in 16 HEWI colours
- made of high-quality matt polyamide in 5 HEWI colours

**801.34.1062**  
**801.34B1062**

**for shower tray 1200 x 1200 mm**

- c to c 1183 x 1183 mm, with 24 curtain rings
- curtain 3500 mm wide, 2000 mm high

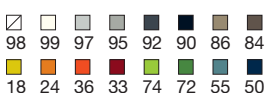
- made of high-quality polyamide in 16 HEWI colours
- made of high-quality matt polyamide in 5 HEWI colours

**801.34.1162**  
**801.34B1162**

**801.34.E01**  
**68560**

**HEWI Curtain rings, packing unit 5 pcs.**  
**HEWI Curtain rings, packing unit 5 pcs., matt**

**16 HEWI colours**



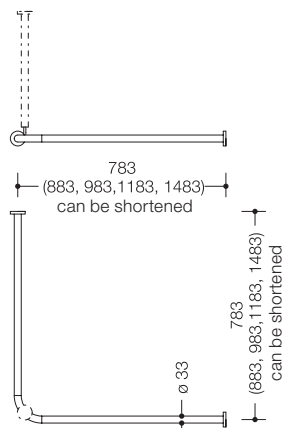
**Fixing material BM210** included in delivery page 742

**HEWI Shower curtain** see register Shower curtains  
more HEWI shower curtain rails pages 114-118

Detailed information about the spare parts can be found here:  
[www.hewi.com/en/spare-parts](http://www.hewi.com/en/spare-parts)

Item Number

Dimensions in mm / Specification



**HEWI Shower curtain rail**

- with aluminum core
- length at ends can be shortened on site to 220 mm
- rails ø 33 mm, roses ø 70 mm
- ceiling support required (to be ordered separately)
- made of high-quality polyamide in 16 HEWI colours
- made of high-quality matt polyamide in 5 HEWI colours

**801.34...**  
**801.34B...**

**for shower tray 800 x 800 mm**

- c to c 783 x 783 mm, with 16 curtain rings
- recommended HEWI standard width (F) 2300 mm

**801.34.130**  
**801.34B130**

**for shower tray 900 x 900 mm**

- c to c 883 x 883 mm, with 18 curtain rings
- recommended HEWI standard width (F) 2500 mm

**801.34.140**  
**801.34B140**

**for shower tray 1000 x 1000 mm**

- c to c 983 x 983 mm, with 20 curtain rings
- recommended HEWI standard width (F) 2900 mm

**801.34.100**  
**801.34B100**

**for shower tray 1200 x 1200 mm**

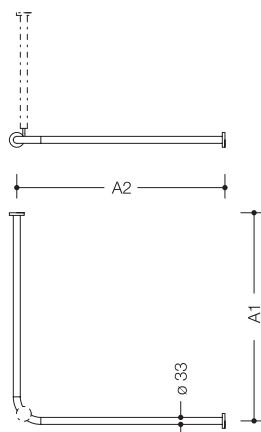
- c to c 1183 x 1183 mm, with 24 curtain rings
- recommended HEWI standard width (F) 3500 mm

**801.34.110**  
**801.34B110**

**for shower tray 1500 x 1500 mm**

- c to c 1483 x 1483 mm, with 28 curtain rings
- recommended HEWI standard width (F) 4000 mm

**801.34.120**  
**801.34B120**



**HEWI Shower curtain rail, special lengths**

- do., with suitable number of curtain rings, length to order

	A1	A2
min.	220 mm	220 mm
max.	1983 mm	1983 mm

Please advise A1 and A2 when ordering.

**801.34.1S**  
**801.34B1S**

5 matt HEWI colours



**801.34.E01**  
**68560**

**HEWI Curtain rings, packing unit 5 pcs.**

**HEWI Curtain rings, packing unit 5 pcs., matt**

**Fixing material BM210** included in delivery page 742

**HEWI Ceiling support** to be ordered separately see page 119

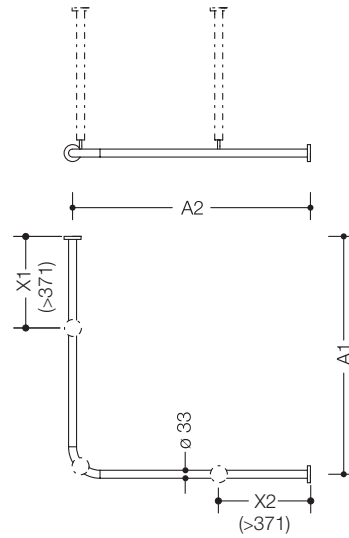
**HEWI Shower curtain** see register Shower curtains

more HEWI shower curtain rails pages 112-118

Item Number

Dimensions in mm / Specification

Range 477/801



**801.34.14S**

**HEWI Shower curtain rail, special lengths**

- do., with preparation for ceiling support in bend and additionally on one or both sides A1/A2
- from a side length A1/A2 = 1984 mm or longer always requires an additional ceiling support on the side, optional up to a length of 1983 mm
- distance between wall and preparation of ceiling support X1/X2 min. 371 mm
- distance to connecting bend min. 211 mm
- with suitable number of curtain rings, length to order
- made of high-quality polyamide in 16 HEWI colours

	A2	220-1900 mm	1901-3383 mm
A1			
	220-1900 mm		
	1901-3383 mm		

**801.34B14S**

- made of high-quality matt polyamide in 5 HEWI colours

	A2	220-1900 mm	1901-3383 mm
A1			
	220-1900 mm		
	1901-3383 mm		

When ordering, please specify side lengths A1/A2 and drilling dimensions for preparation of ceiling support X1 and X2. Please note that from a side length of 1901 mm, the rails will be executed with multiple parts, so that the positioning of the ceiling support is limited.

**801.34.E01**  
**68560**

**HEWI Curtain rings, packing unit 5 pcs.**

**HEWI Curtain rings, packing unit 5 pcs., matt**

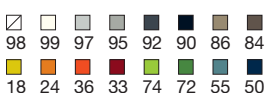
**Fixing material BM210** included in delivery page 742

**HEWI Ceiling support** to be ordered separately see page 119

**HEWI Shower curtain** see register Shower curtains

more HEWI shower curtain rails pages 112-118

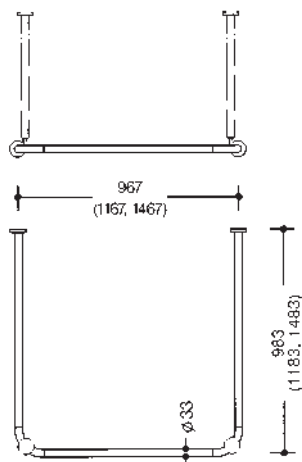
**16 HEWI colours**



Detailed information about the spare parts can be found here:  
[www.hewi.com/en/spare-parts](http://www.hewi.com/en/spare-parts)

Item Number

Dimensions in mm / Specification



801.34.3...  
801.34B3...  
801.34.300  
801.34B300

**HEWI Shower curtain rail**

- with aluminum core, two ceiling supports required
- length at ends can be shortened on site to 220 mm
- middle rail not shortenable, rails ø 33 mm, roses ø 70 mm
- made of high-quality polyamide in 16 HEWI colours
- made of high-quality matt polyamide in 5 HEWI colours

**for shower tray 1000 x 1000 mm**

- c to c 983 x 967 x 983 mm, with 28 curtain rings
- recommended HEWI standard width (F) 4000 mm

**for shower tray 1200 x 1200 mm**

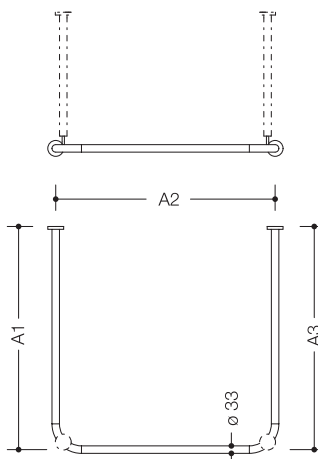
- c to c 1183 x 1167 x 1183 mm, with 34 curtain rings
- recommended HEWI standard width (F) 5000 mm

801.34.310  
801.34B310

**for shower tray 1500 x 1500 mm**

- c to c 1483 x 1467 x 1483 mm, with 46 curtain rings

801.34.320  
801.34B320



801.34.3S  
801.34B3S

**HEWI Shower curtain rail, special lengths**

- with aluminum core, two ceiling supports required
- can be shortened at the roses on site
- with suitable number of curtain rings
- length to order, rails ø 33 mm, roses ø 70 mm
- made of high-quality polyamide in 16 HEWI colours
- made of high-quality matt polyamide in 5 HEWI colours

	A1	A2	A3
min.	220 mm	320 mm	220 mm
max.	1683 mm	1667 mm	1683 mm

5 matt HEWI colours



801.34.E01  
68560

**HEWI Curtain rings, packing unit 5 pcs.**

**HEWI Curtain rings, packing unit 5 pcs., matt**

**Fixing material BM210** included in delivery page 742

**HEWI Ceiling support** to be ordered separately see page 119

**HEWI Shower curtain** see register Shower curtains

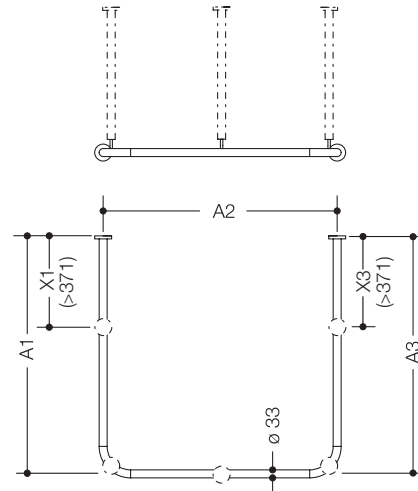
more HEWI shower curtain rails pages 112-118



Item Number

Dimensions in mm / Specification

Range 477/801



**HEWI Shower curtain rail, special lengths**

- do., middle rail not shortenable, with suitable number of curtain rings
- with preparation for ceiling support in bend and additionally on one or up to three sides A1/A2/A3
- from a side length A1/A2/A3 = 1984 mm or longer always requires an additional ceiling support on the side, optional up to a length of 1983 mm
- position of preparation for ceiling support X1/X3 on sides A1/A3 freely selectable
- distance between wall and preparation of ceiling support X1/X3 min. 371 mm
- distance to connecting bend min. 211 mm
- preparation of ceiling support on side A2 centrally positioned
- made of high-quality polyamide in 16 HEWI colours

**801.34.34S**

	A2	320-1844 mm		1845-3367 mm	
	A3	220-1900 mm	1901-3383 mm	220-1900 mm	1901-3383 mm
A1					
	220-1900 mm				
	1901-3383 mm				

**801.34B34S**

- made of high-quality matt polyamide in 5 HEWI colours

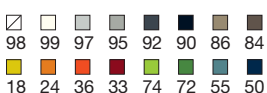
	A2	320-1844 mm		1845-3367 mm	
	A3	220-1900 mm	1901-3383 mm	220-1900 mm	1901-3383 mm
A1					
	220-1900 mm				
	1901-3383 mm				

When ordering, please specify side lengths A1/A2 and drilling dimensions for preparation of ceiling support X1 and X3. Please note that from a side length of 1901 mm, the rails will be executed with multiple parts, so that the positioning of the ceiling support is limited.

**801.34.E01  
68560**

- HEWI Curtain rings, packing unit 5 pcs.**
- HEWI Curtain rings, packing unit 5 pcs., matt**
- Fixing material BM210** included in delivery page 742
- HEWI Ceiling support** to be ordered separately see page 119
- HEWI Shower curtain** see register Shower curtains more HEWI shower curtain rails pages 112-118

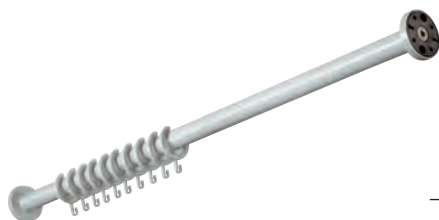
**16 HEWI colours**



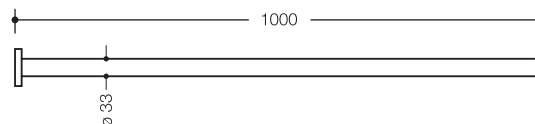
Detailed information about the spare parts can be found here: [www.hewi.com/en/spare-parts](http://www.hewi.com/en/spare-parts)

Item Number

Dimensions in mm / Specification



801.34.400  
801.34B400



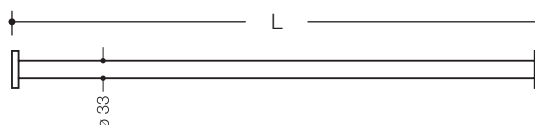
**HEWI Shower curtain rail**

- made of high-quality polyamide with aluminum core
- with 10 curtain rings
- 1000 mm long, can be shortened on site to 200 mm
- ø 33 mm, roses ø 70 mm

- made of high-quality polyamide in 16 HEWI colours
- made of high-quality matt polyamide in 5 HEWI colours

Recommended HEWI standard curtain width (F) 1200 mm.

801.34.4S  
801.34B4S



**HEWI Shower curtain rail, special length**

- made of high-quality polyamide with aluminum core
- can be shortened on site to 200 mm
- without ceiling support, with suitable number of curtain rings
- ø 33 mm, roses ø 70 mm

- length to order from min. 400 mm to max. 1700 mm
- made of high-quality polyamide in 16 HEWI colours
- made of high-quality matt polyamide in 5 HEWI colours

- length to order from min. 1701 mm to max. 3400 mm
- from 2001 mm (optional up to 2000 mm) with centrally positioned preparation for ceiling support

801.34.44S

- made of high-quality polyamide in 16 HEWI colours

	without preparation for ceiling support	with preparation for ceiling support
length L		
1701-2000 mm		
2001-2500 mm		
2501-3400 mm		

801.34B44S

- made of high-quality matt polyamide in 5 HEWI colours

	without preparation for ceiling support	with preparation for ceiling support
length L		
1701-2000 mm		
2001-2500 mm		
2501-3400 mm		

Other dimensions, only with HEWI ceiling support, available upon request.

**Fixing material BM210** included in delivery page 742

801.34.E01  
68560

**HEWI Curtain rings, packing unit 5 pcs.**  
**HEWI Curtain rings, packing unit 5 pcs., matt**

5 matt HEWI colours

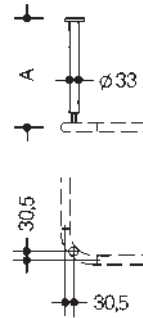


**HEWI Shower curtain** see register Shower curtains  
more HEWI shower curtain rails pages 112-117

Item Number

Dimensions in mm / Specification

Range 477/801



**HEWI Ceiling support**

- with aluminum core
- fitted to ceiling with rose fixing
- length adjustable by 10 mm and can be shortened at rose by max. 100 mm
- rail ø 33 mm, rose ø 70 mm

c to c A  
(curtain rail - ceiling axle)

made of high-quality polyamide  
in 16 HEWI colours

made of high-quality matt  
polyamide in 5 HEWI colours

length L

300 mm

**801.34.019**

**801.34B019**

400 mm

**801.34.020**

**801.34B020**

500 mm

**801.34.021**

**801.34B021**

600 mm

**801.34.022**

**801.34B022**

85 mm - 299 mm (non-shortenable)

**801.34.01S**

**801.34B01S**

301 mm - 1500 mm  
(shortenable from A = 341 mm)

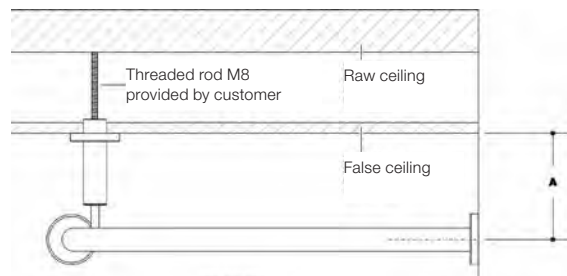
**801.34.02S**

**801.34B02S**

**Fixing material BM214** included in delivery page 742



**801.34.03S**



**HEWI Ceiling support for suspended ceilings**

- with aluminum core
- serves to fix curtain rails to suspended ceilings
- fixing directly to threaded rod M8 provided by customer
- length to order from 150 to max. 1500 mm
- rail ø 33 mm, rose ø 70 mm
- made of high-quality polyamide in 16 HEWI colours

c to c A  
(curtain rail - ceiling axle)

150 mm - 299 mm

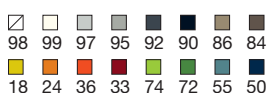
300 mm - 999 mm

1000 mm - 1500 mm

Please advise A when ordering.

**Fixing material BM214** included in delivery page 742

**16 HEWI colours**



Detailed information about the spare parts can be found here:  
[www.hewi.com/en/spare-parts](http://www.hewi.com/en/spare-parts)

# Range 477/801 Accessibility

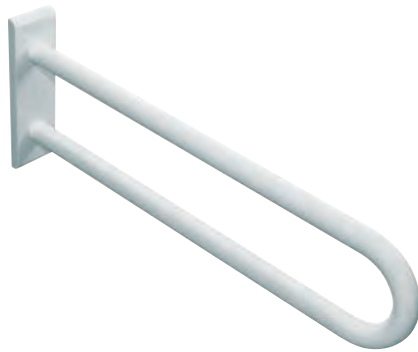


Item Number

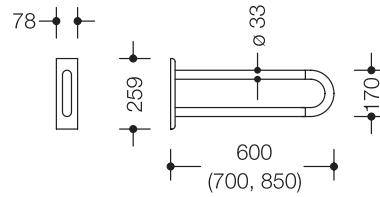
Dimensions in mm / Specification



Range 477/801

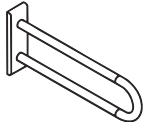
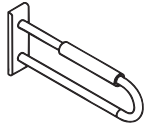



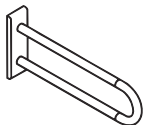
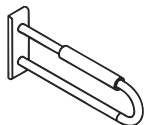
Drill hole



**HEWI Stationary support rail**

- loading capacity according to DIN 18040 up to 100 kg
- with continuous, corrosion resistant steel core and wall plate made of polyamide with integrated steel core
- covered, non-corrosive and tested HEWI fixing material for different wall constructions (to be ordered separately)
- 78 mm wide and 259 mm high, rails  $\varnothing$  33 mm
- sealing tape for sealing the fixing points included in delivery

			
<b>projection</b>	made of high-quality polyamide in 14 HEWI colours	do., with foam grip made of black PUR, 295 mm long	with active antimicrobial micro-silver in HEWI colour 98 (signal white)
600 mm	<b>801.50.300</b>	<b>801.50.301</b>	<b>801.50D300</b>
700 mm	<b>801.50.310</b>	<b>801.50.311</b>	<b>801.50D310</b>
750 mm	<b>801.50.340</b>	<b>801.50.341</b>	<b>801.50D340</b>
850 mm	<b>801.50.320</b>	<b>801.50.321</b>	<b>801.50D320</b>

		
<b>projection</b>	made of high-quality matt polyamide in 5 HEWI colours	do., with foam grip made of black PUR, 295 mm long
600 mm	<b>801.50B300</b>	<b>801.50B301</b>
700 mm	<b>801.50B310</b>	<b>801.50B311</b>
750 mm	<b>801.50B340</b>	<b>801.50B341</b>
850 mm	<b>801.50B320</b>	<b>801.50B321</b>

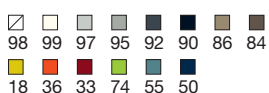
**5 matt HEWI colours**



**39006**  
**68556**  
**62853**

**HEWI Masking cap**  
**HEWI Masking cap, matt**  
**HEWI active+ Masking cap**

**14 HEWI colours**



**BM10.2 – BM18.2**

**HEWI Fixing material for hinged support rails**

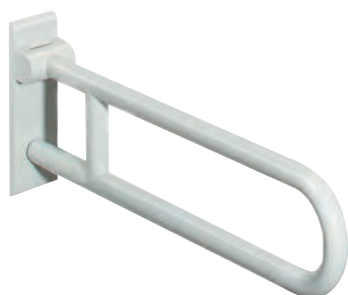
to be ordered separately page 738

**Upgrade products for hinged support rails** see pages 131, 136-141

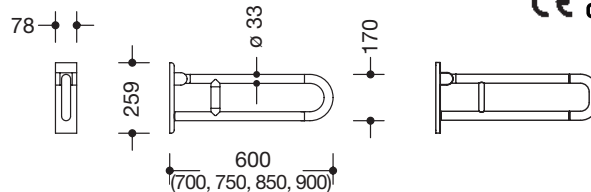
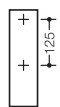
Detailed information about the spare parts can be found here:  
[www.hewi.com/en/spare-parts](http://www.hewi.com/en/spare-parts)

Item Number

Dimensions in mm / Specification



Drill hole

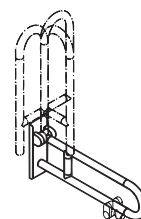
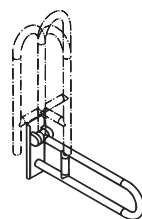
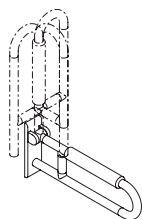
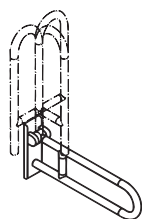


with steel core

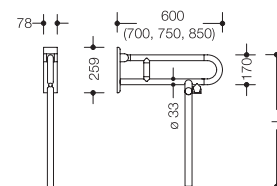
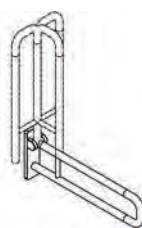
with aluminum core

**HEWI Hinged support rail, rotatable**

- loading capacity according to DIN 18040 up to 100 kg
- can be folded upwards and, with friction device downwards a turn to left or right locks support in vertical position
- with wall plate made of polyamide with integrated steel core
- covered, non-corrosive and tested HEWI fixing material for different wall constructions (to be ordered separately)
- 78 mm wide and 259 mm high, rails  $\varnothing$  33 mm
- made of high-quality polyamide
- sealing tape for sealing the fixing points included in delivery



projection	with corrosion resistant <b>steel core</b> in 14 HEWI colours	do., with foam grip made of black PUR, 295 mm long	⊕ <b>HEWI active+</b> with active antimicrobial microsilver in HEWI colour 98 (signal white)	do., with floor support in 14 HEWI colours
600 mm	<b>801.50.100</b>	<b>801.50.101</b>	<b>801.50D100</b>	<b>801.50.104S</b>
700 mm	<b>801.50.110</b>	<b>801.50.111</b>	<b>801.50D110</b>	<b>801.50.114S</b>
750 mm	<b>801.50.140</b>	<b>801.50.141</b>	<b>801.50D140</b>	<b>801.50.144S</b>
850 mm	<b>801.50.120</b>	<b>801.50.121</b>	<b>801.50D120</b>	<b>801.50.124S</b>
900 mm	<b>801.50.130</b>	<b>801.50.131</b>	<b>801.50D130</b>	<b>801.50.134S</b>



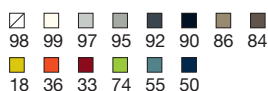
Please specify dimension L when ordering.

projection	with <b>aluminum core</b> in 14 HEWI colours
600 mm	<b>801.50.106</b>
700 mm	<b>801.50.116</b>
750 mm	<b>801.50.146</b>
850 mm	<b>801.50.126</b>
900 mm	<b>801.50.136</b>

39006  
⊕ 62853

**HEWI Masking cap**  
**HEWI active+ Masking cap**

**14 HEWI colours**



Detailed information about the spare parts can be found here:  
[www.hewi.com/en/spare-parts](http://www.hewi.com/en/spare-parts)

Item Number

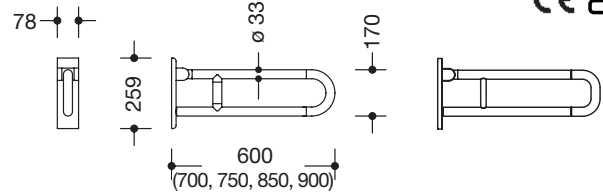
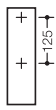
Dimensions in mm / Specification



Range 477/801



Drill hole

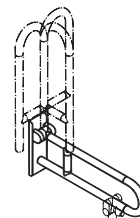
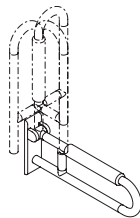
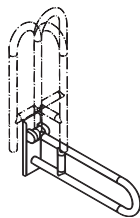


with steel core

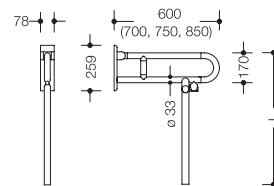
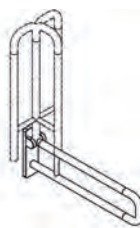
with aluminum core

**HEWI Hinged support rail, rotatable**

- loading capacity according to DIN 18040 up to 100 kg
- can be folded upwards and, with friction device downwards a turn to left or right locks support in vertical position
- with wall plate made of matt polyamide with integrated steel core
- covered, non-corrosive and tested HEWI fixing material for different wall constructions (to be ordered separately)
- 78 mm wide and 259 mm high, rails  $\varnothing$  33 mm
- made of high-quality matt polyamide
- sealing tape for sealing the fixing points included in delivery



projection	with corrosion resistant <b>steel core</b> in 5 matt HEWI colours	do., with foam grip made of black PUR, 295 mm long	do., with floor support in 5 matt HEWI colours
600 mm	<b>801.50B100</b>	<b>801.50B101</b>	<b>801.50B104S</b>
700 mm	<b>801.50B110</b>	<b>801.50B111</b>	<b>801.50B114S</b>
750 mm	<b>801.50B140</b>	<b>801.50B141</b>	<b>801.50B144S</b>
850 mm	<b>801.50B120</b>	<b>801.50B121</b>	<b>801.50B124S</b>
900 mm	<b>801.50B130</b>	<b>801.50B131</b>	<b>801.50B134S</b>



Please specify dimension L when ordering.

projection	with <b>aluminum core</b> in 5 matt HEWI colours
600 mm	<b>801.50B106</b>
700 mm	<b>801.50B116</b>
750 mm	<b>801.50B146</b>
850 mm	<b>801.50B126</b>
900 mm	<b>801.50B136</b>

68556

HEWI Masking cap, matt

5 matt HEWI colours



BM10.2 – BM18.2

HEWI Fixing material for hinged support rails

to be ordered separately page 738

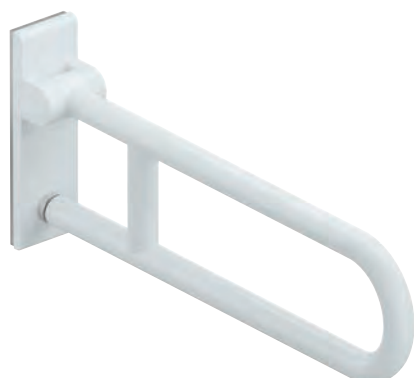
**Upgrade products for hinged support rails** see pages 131, 136-141

**HEWI Height adjustable plate** see page 319

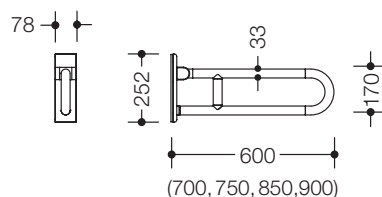
**Ordering aid for height adjustable plate** see online catalogue

Item Number

Dimensions in mm / Specification

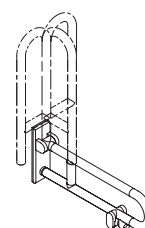
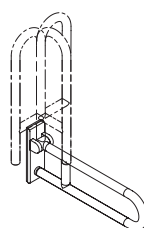
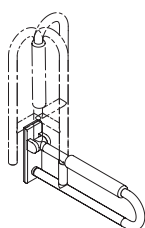
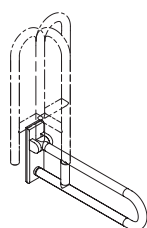


Drill hole

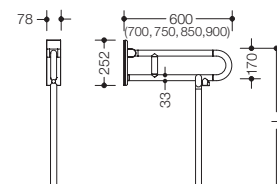


**HEWI Mobile hinged support rail, rotatable**

- two parallel bars running one above the other joined by a connecting bend
- loading capacity according to DIN 18040 up to 100 kg
- can be folded upwards and, with friction device downwards a turn to left or right locks support in vertical position
- for mobile use, for easy and flexible retrofitting on pre-assembled HEWI mounting plate 950.50.016 (to be ordered separately, see page 130)
- toolless and quick installation by simple attachment of the mobile hinged support rail
- secured by fixing screw to prevent unintentional removal
- covered, non-corrosive and tested HEWI fixing material for different wall constructions (to be ordered separately)
- 78 mm wide and 252 mm high, rails  $\varnothing$  33 mm
- made of high-quality polyamide



projection	with corrosion resistant steel core in 14 HEWI colours	do., with foam grip made of black PUR, 295 mm long	⊕ HEWI active+ with active antimicrobial microsilver in HEWI colour 98 (signal white)	do., with floor support in 14 HEWI colours
600 mm	<b>801.50.107</b>	<b>801.50.108</b>	<b>801.50D107</b>	<b>801.50.105S</b>
700 mm	<b>801.50.117</b>	<b>801.50.118</b>	<b>801.50D117</b>	<b>801.50.115S</b>
750 mm	<b>801.50.147</b>	<b>801.50.148</b>	<b>801.50D147</b>	<b>801.50.145S</b>
850 mm	<b>801.50.127</b>	<b>801.50.128</b>	<b>801.50D127</b>	<b>801.50.125S</b>
900 mm	<b>801.50.137</b>	<b>801.50.138</b>	<b>801.50D137</b>	<b>801.50.135S</b>



Please specify dimension L when ordering.

Ordering aid for mobile hinged support rails see online catalogue

14 HEWI colours



Detailed information about the spare parts can be found here:  
[www.hewi.com/en/spare-parts](http://www.hewi.com/en/spare-parts)



Item Number

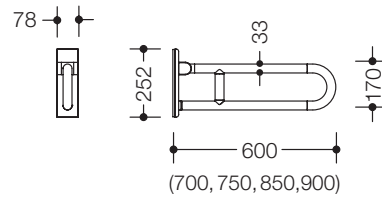
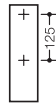
Dimensions in mm / Specification



Range 477/801

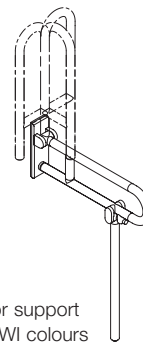
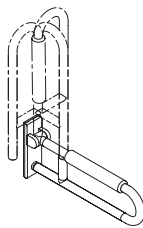
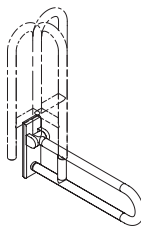


Drill hole

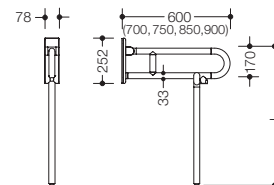


**HEWI Mobile hinged support rail, rotatable**

- two parallel bars running one above the other joined by a connecting bend
- loading capacity according to DIN 18040 up to 100 kg
- can be folded upwards and, with friction device downwards a turn to left or right locks support in vertical position
- for mobile use, for easy and flexible retrofitting on pre-assembled HEWI mounting plate 950.50.016 (to be ordered separately, see page 130)
- toolless and quick installation by simple attachment of the mobile hinged support rail
- secured by fixing screw to prevent unintentional removal
- covered, non-corrosive and tested HEWI fixing material for different wall constructions (to be ordered separately)
- 78 mm wide and 252 mm high, rails  $\varnothing$  33 mm
- made of high-quality matt polyamide in HEWI colours 99 (pure white), 98 (signal white), 97 (light grey), 95 (stone grey) and 92 (anthracite grey)



projection	with corrosion resistant steel core in 5 matt HEWI colours	do., with foam grip made of black PUR, 295 mm long	do., with floor support in 5 matt HEWI colours
600 mm	<b>801.50B107</b>	<b>801.50B108</b>	<b>801.50B105S</b>
700 mm	<b>801.50B117</b>	<b>801.50B118</b>	<b>801.50B115S</b>
750 mm	<b>801.50B147</b>	<b>801.50B148</b>	<b>801.50B145S</b>
850 mm	<b>801.50B127</b>	<b>801.50B128</b>	<b>801.50B125S</b>
900 mm	<b>801.50B137</b>	<b>801.50B138</b>	<b>801.50B135S</b>



Please specify dimension L when ordering.

**Ordering aid for mobile hinged support rails** see online catalogue

**5 matt HEWI colours**



**BM10.2 – BM18.2**

**HEWI Fixing material for hinged support rails**

to be ordered separately page 738

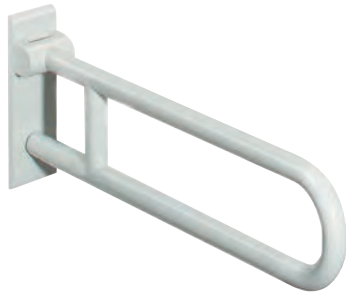
**Upgrade products for hinged support rails** see pages 131, 136-141

**HEWI Height adjustable plate** see page 319

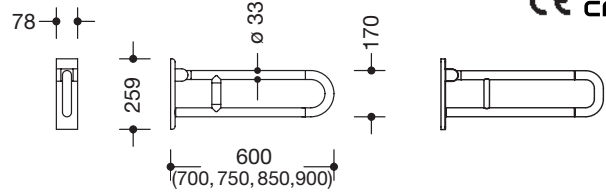
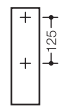
**Ordering aid for height adjustable plate** see online catalogue

Item Number

Dimensions in mm / Specification



Drill hole

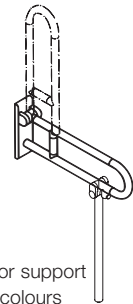
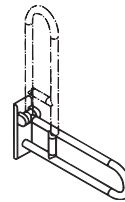
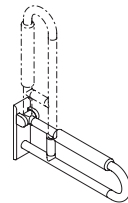
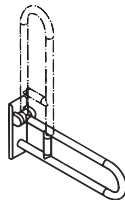


with steel core

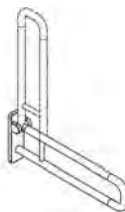
with aluminum core

**HEWI Hinged support rail**

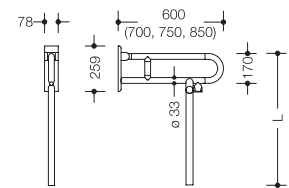
- loading capacity according to DIN 18040 up to 100 kg
- can be folded upwards and, with friction device, downwards
- with wall plate made of polyamide with integrated steel core
- covered, non-corrosive and tested HEWI fixing material for different wall constructions (to be ordered separately)
- 78 mm wide and 259 mm high, rails  $\varnothing$  33 mm
- made of high-quality polyamide
- sealing tape for sealing the fixing points included in delivery



projection	with corrosion resistant <b>steel core</b> in 14 HEWI colours	do., with foam grip made of black PUR, 295 mm long	⊕ <b>HEWI active+</b> with active antimicrobial microsilver in HEWI colour 98 (signal white)	do., with floor support in 14 HEWI colours
600 mm	<b>801.50.200</b>	<b>801.50.201</b>	<b>801.50D200</b>	<b>801.50.204S</b>
700 mm	<b>801.50.210</b>	<b>801.50.211</b>	<b>801.50D210</b>	<b>801.50.214S</b>
750 mm	<b>801.50.240</b>	<b>801.50.241</b>	<b>801.50D240</b>	<b>801.50.244S</b>
850 mm	<b>801.50.220</b>	<b>801.50.221</b>	<b>801.50D220</b>	<b>801.50.224S</b>
900 mm	<b>801.50.230</b>	<b>801.50.231</b>	<b>801.50D230</b>	<b>801.50.234S</b>



projection	with <b>aluminum core</b> in 16 HEWI colours
600 mm	<b>801.50.206</b>
700 mm	<b>801.50.216</b>
750 mm	<b>801.50.246</b>
850 mm	<b>801.50.226</b>
900 mm	<b>801.50.236</b>

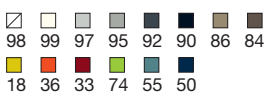


Please specify dimension L when ordering.

39006  
⊕ 62853

**HEWI Masking cap**  
**HEWI active+ Masking cap**

**14 HEWI colours**



Detailed information about the spare parts can be found here:  
[www.hewi.com/en/spare-parts](http://www.hewi.com/en/spare-parts)

Item Number

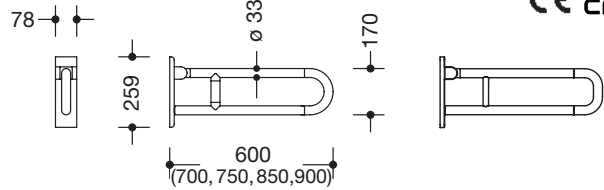
Dimensions in mm / Specification



Range 477/801



Drill hole

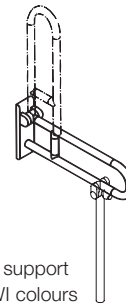
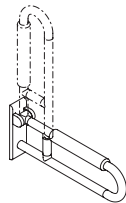
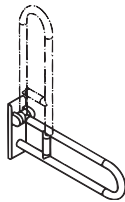


with steel core

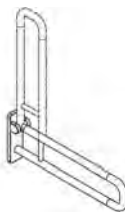
with aluminum core

**HEWI Hinged support rail**

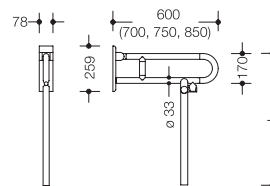
- loading capacity according to DIN 18040 up to 100 kg
- can be folded upwards and, with friction device, downwards
- with wall plate made of matt polyamide with integrated steel core
- covered, non-corrosive and tested HEWI fixing material for different wall constructions (to be ordered separately)
- 78 mm wide and 259 mm high, rails  $\varnothing$  33 mm
- made of high-quality matt polyamide
- sealing tape for sealing the fixing points included in delivery



projection	with corrosion resistant <b>steel core</b> in 5 matt HEWI colours	do., with foam grip made of black PUR, 295 mm long	do., with floor support in 5 matt HEWI colours
600 mm	<b>801.50B200</b>	<b>801.50B201</b>	<b>801.50B204S</b>
700 mm	<b>801.50B210</b>	<b>801.50B211</b>	<b>801.50B214S</b>
750 mm	<b>801.50B240</b>	<b>801.50B241</b>	<b>801.50B244S</b>
850 mm	<b>801.50B220</b>	<b>801.50B221</b>	<b>801.50B224S</b>
900 mm	<b>801.50B230</b>	<b>801.50B231</b>	<b>801.50B234S</b>



projection	with <b>aluminum core</b> in 5 matt HEWI colours
600 mm	<b>801.50B206</b>
700 mm	<b>801.50B216</b>
750 mm	<b>801.50B246</b>
850 mm	<b>801.50B226</b>
900 mm	<b>801.50B236</b>



Please specify dimension L when ordering.

68556

HEWI Masking cap, matt

5 matt HEWI colours



BM10.2 – BM18.2

HEWI Fixing material for hinged support rails

to be ordered separately page 738

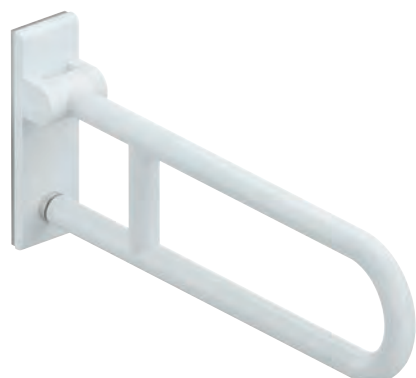
**Upgrade products for hinged support rails** see pages 131, 136-141

**HEWI Height adjustable plate** see page 319

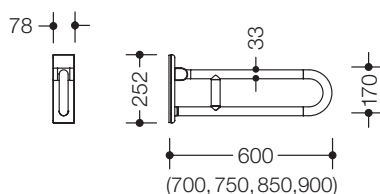
**Ordering aid for height adjustable plate** see online catalogue

Item Number

Dimensions in mm / Specification

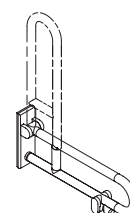
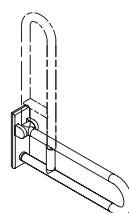
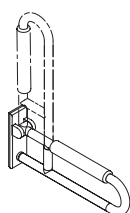
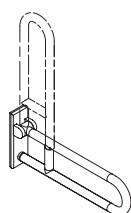


Drill hole

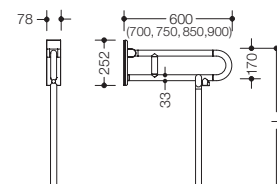


**HEWI Mobile hinged support rail**

- two parallel bars running one above the other joined by a connecting bend
- loading capacity according to DIN 18040 up to 100 kg
- can be folded upwards and, with friction device, downwards
- for mobile use, for easy and flexible retrofitting on pre-assembled HEWI mounting plate 950.50.016 (to be ordered separately, see page 130)
- toolless and quick installation by simple attachment of the mobile hinged support rail
- secured by fixing screw to prevent unintentional removal
- covered, non-corrosive and tested HEWI fixing material for different wall constructions (to be ordered separately)
- 78 mm wide and 252 mm high, rails  $\varnothing$  33 mm
- made of high-quality polyamide



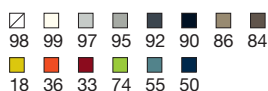
projection	with corrosion resistant steel core in 14 HEWI colours	do., with foam grip made of black PUR, 295 mm long	⊕ HEWI active+ with active antimicrobial microsilver in HEWI colour 98 (signal white)	do., with floor support in 14 HEWI colours
600 mm	<b>801.50.207</b>	<b>801.50.208</b>	<b>801.50D207</b>	<b>801.50.205S</b>
700 mm	<b>801.50.217</b>	<b>801.50.218</b>	<b>801.50D217</b>	<b>801.50.215S</b>
750 mm	<b>801.50.247</b>	<b>801.50.248</b>	<b>801.50D247</b>	<b>801.50.245S</b>
850 mm	<b>801.50.227</b>	<b>801.50.228</b>	<b>801.50D227</b>	<b>801.50.225S</b>
900 mm	<b>801.50.237</b>	<b>801.50.238</b>	<b>801.50D237</b>	<b>801.50.235S</b>



Please specify dimension L when ordering.

**Ordering aid for mobile hinged support rails** see online catalogue

**14 HEWI colours**



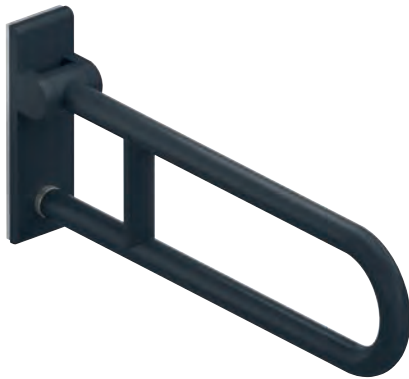
Detailed information about the spare parts can be found here:  
[www.hewi.com/en/spare-parts](http://www.hewi.com/en/spare-parts)

Item Number

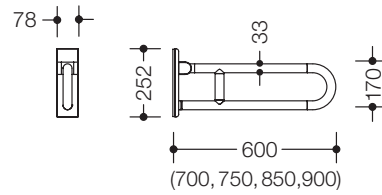
Dimensions in mm / Specification



Range 477/801

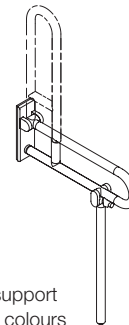
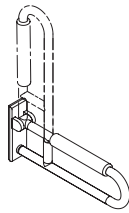
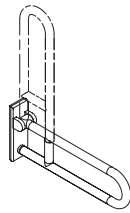


Drill hole

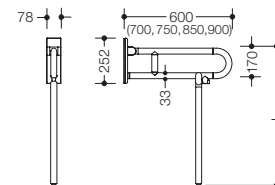


**HEWI Mobile hinged support rail**

- two parallel bars running one above the other joined by a connecting bend
- loading capacity according to DIN 18040 up to 100 kg
- can be folded upwards and, with friction device, downwards
- for mobile use, for easy and flexible retrofitting on pre-assembled HEWI mounting plate 950.50.016 (to be ordered separately, see page 130)
- toolless and quick installation by simple attachment of the mobile hinged support rail
- secured by fixing screw to prevent unintentional removal
- covered, non-corrosive and tested HEWI fixing material for different wall constructions (to be ordered separately)
- 78 mm wide and 252 mm high, rails  $\varnothing$  33 mm
- made of high-quality matt polyamide in HEWI colours 99 (pure white), 98 (signal white), 97 (light grey), 95 (stone grey) and 92 (anthracite grey)



projection	with corrosion resistant steel core in 5 matt HEWI colours	do., with foam grip made of black PUR, 295 mm long	do., with floor support in 5 matt HEWI colours
600 mm	<b>801.50B207</b>	<b>801.50B208</b>	<b>801.50B205S</b>
700 mm	<b>801.50B217</b>	<b>801.50B218</b>	<b>801.50B215S</b>
750 mm	<b>801.50B247</b>	<b>801.50B248</b>	<b>801.50B245S</b>
850 mm	<b>801.50B227</b>	<b>801.50B228</b>	<b>801.50B225S</b>
900 mm	<b>801.50B237</b>	<b>801.50B238</b>	<b>801.50B235S</b>



Please specify dimension L when ordering.

**Ordering aid for mobile hinged support rails** see online catalogue

**5 matt HEWI colours**



**BM10.2 – BM18.2**

**HEWI Fixing material for hinged support rails**

to be ordered separately page 738

**Upgrade products for hinged support rails** see pages 131, 136-141

**HEWI Height adjustable plate** see page 319

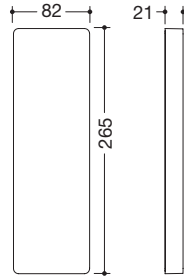
**Ordering aid for height adjustable plate** see online catalogue

Item Number

Dimensions in mm / Specification



Drill hole



950.50.10190

**HEWI Mounting plate with cover**

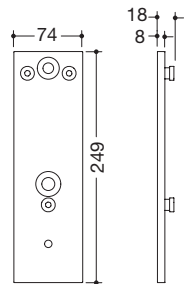
- 82 mm wide, 265 mm high, 21 mm deep
- mounting plate made of stainless steel, satin finished
- for mounting with corrosion-free and tested HEWI fixing material for different wall constructions
- sealing tape for sealing the fixing points included in delivery
- cover made of high-quality synthetic material in HEWI colours 98 (signal white) or 99 (pure white)

**Fixing material BM10.2 to BM18.2** to be ordered separately see page 738

- Mounting plate
- Cover



Drill hole



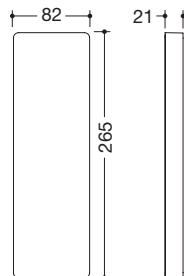
950.50.016

**HEWI Mounting plate**

- 74 mm wide, 249 mm high, 18 mm deep
- made of stainless steel, satin finished
- for mounting with corrosion-free and tested HEWI fixing material for different wall constructions
- sealing tape for sealing the fixing points included in delivery

**Fixing material BM10.2 to BM18.2** to be ordered separately see page 738

- 



950.50.01790

**HEWI Cover for mounting plate**

- for cover of the mounting plate by simple replacement
- 82 mm wide, 265 mm high, 21 mm deep
- cover made of high-quality synthetic material in HEWI colours 98 (signal white) or 99 (pure white)

- Cover

**5 matt HEWI colours**

- 98
- 99
- 97
- 95
- 92

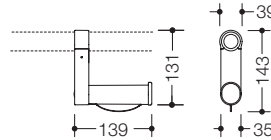
**HEWI Height adjustable plate** see page 319

**Ordering aid for height adjustable plate** see online catalogue

Item Number

Dimensions in mm / Specification

Range 477/801



**801.50.011**  
**801.50B011**

⊕ **801.50D011**

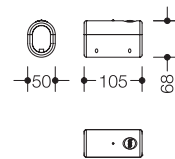
**HEWI Upgrade kit toilet roll holder**

- right angle-shaped toilet roll holder
- with integrated soft, flexible roll brake for commercial toilet paper rolls
- for simple installation and for retrofitting with hinged support rail 801...
- 39 mm wide, 143 mm high, 139 mm deep

- made of high-quality polyamide in 14 HEWI colours
- made of high-quality matt polyamide in 5 HEWI colours

**HEWI active+ Upgrade kit toilet roll holder**

- in HEWI colour 98 (signal white), with active antimicrobial microsilver
- with integrated soft, flexible roll brake for commercial toilet paper rolls



**801.50.060**  
**801.50B060**

⊕ **801.50D060**

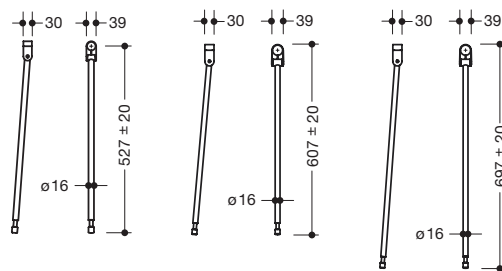
**HEWI Upgrade kit WC flushing mechanism (radio-controlled)**

- WC flushing mechanism (radio-controlled) for easy installation and for retrofitting with HEWI hinged support rails 801.50...
- 50 mm wide, 68 mm high, 105 mm long, transmission frequ. 868,4 MHz
- suitable for radio-controlled WC flushing systems of Geberit, Mepa, Viega, Sanit, Friatec, TECE and Grohe

- made of high-quality polyamide in 14 HEWI colours
- made of high-quality matt polyamide in 5 HEWI colours

**HEWI active+ Upgrade kit WC flushing mechanism (radio-contr.)**

- in HEWI colour 98 (signal white), with active antimicrobial microsilver



**950.50.027XA**  
**950.50B027XA**

**950.50.021XA**  
**950.50B021XA**

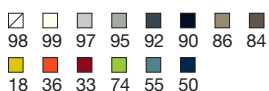
**950.50.023XA**  
**950.50B023XA**

**HEWI Floor support**

- vertical floor support for retrofitting on hinged support rails and stationary support rails 801.50..., easy installation
- support made of high-quality stainless steel, satin finished
- height adjustment possible within range of ± 20 mm
- vertical length 527 mm, for mounting height 680 mm
- connection made of high-quality polyamide in 14 HEWI colours
- connection made of high-quality matt polyamide in 5 HEWI colours
- fulfils height adjustment requirements according to DIN 18040
- vertical length 607 mm, for mounting height 760 mm
- connection made of high-quality polyamide in 14 HEWI colours
- connection made of high-quality matt polyamide in 5 HEWI colours
- fulfils height adjustment requirements acc. to ÖNORM B 1600/1601
- vertical length 697 mm, for mounting height 850 mm
- connection made of high-quality polyamide in 14 HEWI colours
- connection made of high-quality matt polyamide in 5 HEWI colours

☑ Floor support  
Connection in 14 HEWI colours  
or 5 matt HEWI colours

**14 HEWI colours**

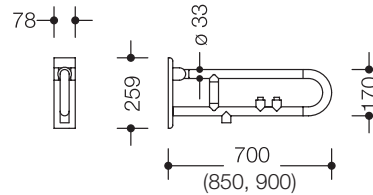


Item Number

Dimensions in mm / Specification



Drill hole

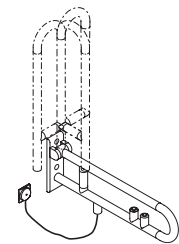
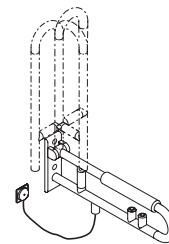
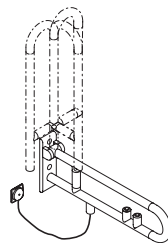


Yellow function button

**HEWI Hinged support rail, rotatable, model E, flush release / function button**

- loading capacity according to DIN 18040 up to 100 kg
- can be folded upwards and, with friction device, downwards, a turn to left or right locks support in vertical position
- with continuous, corrosion resistant steel core and wall plate made of polyamide with integrated steel core
- covered, non-corrosive and tested HEWI fixing material for different wall constructions (to be ordered separately)
- 78 mm wide and 259 mm high, rails  $\varnothing$  33 mm
- button with blue ring to release flush
- button with yellow/red ring for a specific function as required
- the function button does not meet the requirements for an emergency call according to DIN VDE 0834-1
- spiral cable with free wire ends for wall connection
- including white cover for flush-mounted box
- control voltage max. 30V = SELV, PELV, switching current up to max. 2A
- suitable for all standard concealed cisterns with electrical control
- sealing tape for sealing the fixing points included in delivery

**Attention:** cistern must be prepared for electric control.



projection	made of high-quality polyamide in 14 HEWI colours button with yellow ring	do., with foam grip made of black PUR, 295 mm long button with yellow ring	made of high-quality polyamide in 14 HEWI colours button with red ring
700 mm	<b>801.50.500</b>	<b>801.50.501</b>	<b>801.50.505</b>
850 mm	<b>801.50.510</b>	<b>801.50.511</b>	<b>801.50.515</b>
900 mm	<b>801.50.520</b>		<b>801.50.525</b>

projection	made of high-quality matt polyamide in 5 HEWI colours button with yellow ring	do., with foam grip made of black PUR, 295 mm long button with yellow ring	made of high-quality matt polyamide in 5 HEWI colours button with red ring
700 mm	<b>801.50B500</b>	<b>801.50B501</b>	<b>801.50B505</b>
850 mm	<b>801.50B510</b>	<b>801.50B511</b>	<b>801.50B515</b>
900 mm	<b>801.50B520</b>		<b>801.50B525</b>

39006  
68556

**HEWI Masking cap**  
**HEWI Masking cap, matt**

**5 matt HEWI colours**

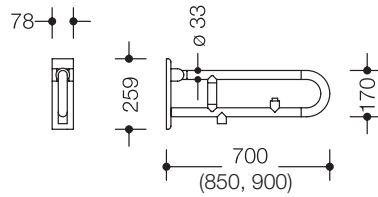


Detailed information about the spare parts can be found here:  
[www.hewi.com/en/spare-parts](http://www.hewi.com/en/spare-parts)





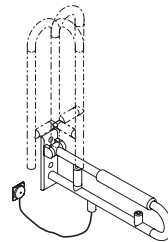
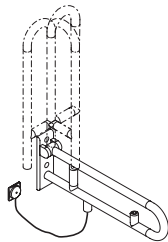
Drill hole



**HEWI Hinged support rail, rotatable, model E, flush release button**

- loading capacity according to DIN 18040 up to 100 kg
- can be folded upwards and, with friction device, downwards, a turn to left or right locks support in vertical position
- with continuous, corrosion resistant steel core and wall plate made of polyamide with integrated steel core
- covered, non-corrosive and tested HEWI fixing material for different wall constructions (to be ordered separately)
- 78 mm wide and 259 mm high, rails  $\varnothing$  33 mm
- button with blue ring to release flush
- spiral cable with free wire ends for wall connection
- including white cover for flush-mounted box
- control voltage max. 30V = SELV, PELV, switching current up to max. 2A
- suitable for all standard concealed cisterns with electrical control
- sealing tape for sealing the fixing points included in delivery

**Attention:** cistern must be prepared for electric control.



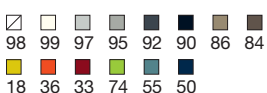
projection	made of high-quality polyamide in 14 HEWI colours	do., with foam grip made of black PUR, 295 mm long
700 mm	<b>801.50.550</b>	<b>801.50.551</b>
850 mm	<b>801.50.560</b>	<b>801.50.561</b>
900 mm	<b>801.50.570</b>	

projection	made of high-quality matt polyamide in 5 HEWI colours	do., with foam grip made of black PUR, 295 mm long
700 mm	<b>801.50B550</b>	<b>801.50B551</b>
850 mm	<b>801.50B560</b>	<b>801.50B561</b>
900 mm	<b>801.50B570</b>	

**39006**  
**68556**

**HEWI Masking cap**  
**HEWI Masking cap, matt**

**14 HEWI colours**



**BM10.2 – BM18.2**

**HEWI Fixing material for hinged support rails** to be ordered separately page 738

**Upgrade products for hinged support rails** see pages 131, 136-141

**HEWI Height adjustable plate** see page 319

**Ordering aid for height adjustable plate** see online catalogue

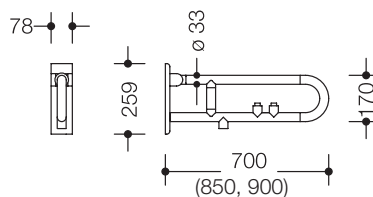
Item Number

Dimensions in mm / Specification



Yellow function button

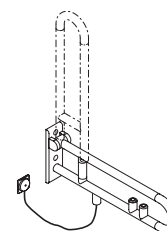
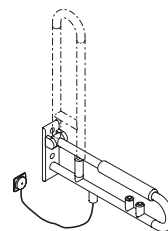
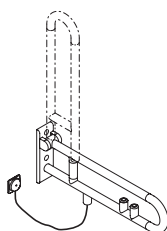
Drill hole



**HEWI Hinged support rail, model E, flush release / function button**

- loading capacity according to DIN 18040 up to 100 kg
- can be folded upwards and, with friction device, downwards
- with continuous, corrosion resistant steel core and wall plate made of polyamide with integrated steel core
- covered, non-corrosive and tested HEWI fixing material for different wall constructions (to be ordered separately)
- 78 mm wide and 259 mm high, rails  $\varnothing$  33 mm
- button with blue ring to release flush
- button with yellow/red ring for a specific function as required
- the function button does not meet the requirements for an emergency call according to DIN VDE 0834-1
- spiral cable with free wire ends for wall connection
- including white cover for flush-mounted box
- control voltage max. 30V = SELV, PELV, switching current up to max. 2A
- suitable for all standard concealed cisterns with electrical control
- sealing tape for sealing the fixing points included in delivery

**Attention:** cistern must be prepared for electric control.



<b>projection</b>	made of high-quality polyamide in 14 HEWI colours button with yellow ring	do., with foam grip made of black PUR, 295 mm long button with yellow ring	made of high-quality polyamide in 14 HEWI colours button with red ring
700 mm	<b>801.50.700</b>	<b>801.50.701</b>	<b>801.50.705</b>
850 mm	<b>801.50.710</b>	<b>801.50.711</b>	<b>801.50.715</b>
900 mm	<b>801.50.720</b>		<b>801.50.725</b>

<b>projection</b>	made of high-quality matt polyamide in 5 HEWI colours button with yellow ring	do., with foam grip made of black PUR, 295 mm long button with yellow ring	made of high-quality matt polyamide in 5 HEWI colours button with red ring
700 mm	<b>801.50B700</b>	<b>801.50B701</b>	<b>801.50B705</b>
850 mm	<b>801.50B710</b>	<b>801.50B711</b>	<b>801.50B715</b>
900 mm	<b>801.50B720</b>		<b>801.50B725</b>

39006  
68556

**HEWI Masking cap**  
**HEWI Masking cap, matt**

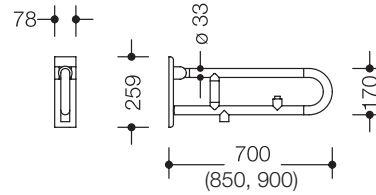
**5 matt HEWI colours**



Detailed information about the spare parts can be found here:  
[www.hewi.com/en/spare-parts](http://www.hewi.com/en/spare-parts)



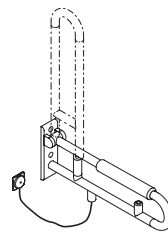
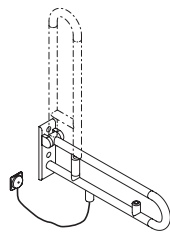
Drill hole



**HEWI Hinged support rail, model E, flush release button**

- loading capacity according to DIN 18040 up to 100 kg
- can be folded upwards and, with friction device, downwards
- with continuous, corrosion resistant steel core and wall plate made of polyamide with integrated steel core
- covered, non-corrosive and tested HEWI fixing material for different wall constructions (to be ordered separately)
- 259 mm high and 78 mm wide, rails  $\varnothing$  33 mm
- button with blue ring to release flush
- spiral cable with free wire ends for wall connection
- including white cover for flush-mounted box
- control voltage max. 30V = SELV, PELV, switching current up to max. 2A
- suitable for all standard concealed cisterns with electrical control
- sealing tape for sealing the fixing points included in delivery

**Attention:** cistern must be prepared for electric control.



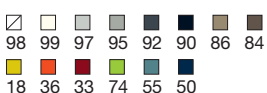
projection	made of high-quality polyamide in 14 HEWI colours	do., with foam grip made of black PUR, 295 mm long
700 mm	<b>801.50.750</b>	<b>801.50.751</b>
850 mm	<b>801.50.760</b>	<b>801.50.761</b>
900 mm	<b>801.50.770</b>	

projection	made of high-quality matt polyamide in 5 HEWI colours	do., with foam grip made of black PUR, 295 mm long
700 mm	<b>801.50B750</b>	<b>801.50B751</b>
850 mm	<b>801.50B760</b>	<b>801.50B761</b>
900 mm	<b>801.50B770</b>	

**39006**  
**68556**

**HEWI Masking cap**  
**HEWI Masking cap, matt**

**14 HEWI colours**



**BM10.2 – BM18.2**

**HEWI Fixing material for hinged support rails** to be ordered separately page 738

**Upgrade products for hinged support rails** see pages 131, 136-141

**HEWI Height adjustable plate** see page 319

**Ordering aid for height adjustable plate** see online catalogue

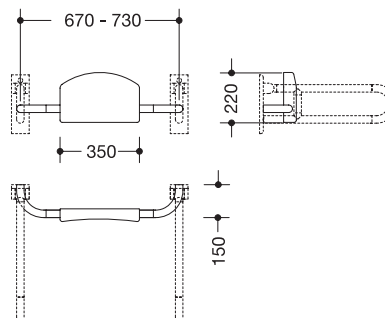
Item Number

Dimensions in mm / Specification



801.51.900  
801.51B900

⊕ 801.51D900



**HEWI Backrest rail**

- padded backrest with right-angled mounting bars on each side
- with continuous, corrosion resistant steel core
- for fitting to hinged / stationary support rails with wall mounting plate of Range 801
- fulfils the requirements acc. to DIN 18040 and ÖNORM B 1600/1601
- c to c from 670 to 730 mm, adjustable on site
- 150 mm deep, rails ø 33 mm
- backrest 350 mm wide and 220 mm high
- padding made of black PUR
- rails made of high-quality polyamide in 14 HEWI colours
- rails made of high-quality matt polyamide in 5 HEWI colours

**HEWI active+ Backrest rail**

- in HEWI colour 98 (signal white), with active antimicrobial microsilver

The HEWI backrest rail 801.51...900 can only be installed in combination with supports of range 801. To supply the right fixing material for the backrest rail, it's necessary to know the support's fixing material.

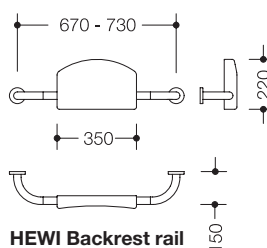
**Attention:** Fixing material for backrest rail BM1...2.1 according to the table on the right to be ordered separately

If the backrest rail is to be mounted individually, use 801.51...910 with roses.

Supplied only with HEWI fixing material.

BM1151

**HEWI Fixing kit**



**HEWI Backrest rail**

- padded backrest with a right-angled mounting bar on each side and rose fixings
- with continuous, corrosion resistant steel core
- for wall mounting with fixing material from HEWI
- fulfils the requirements acc. to DIN 18040 and ÖNORM B 1600/1601
- c to c from 670 to 730 mm, adjustable on site
- 150 mm deep, rails ø 33 mm, roses ø 70 mm
- backrest 350 mm wide and 220 mm high
- padding made of black PUR
- supplied with fixing material BM211 (see page 742)
- rails made of high-quality polyamide in 14 HEWI colours
- rails made of high-quality matt polyamide in 5 HEWI colours



801.51.910  
801.51B910

⊕ 801.51D910

801.51.911

**HEWI active+ Backrest rail**

- in HEWI colour 98 (signal white), with active antimicrobial microsilver

· do., c to c 435 mm, fulfils the requirements acc. to BS-Standard BS 8300:2009+A1:2010/Doc M

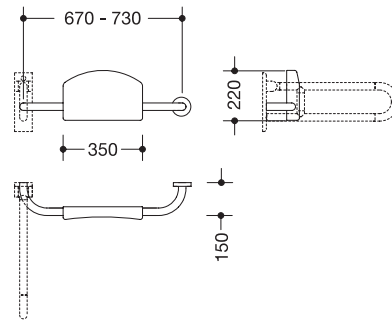
**5 matt HEWI colours**



Detailed information about the spare parts can be found here:  
[www.hewi.com/en/spare-parts](http://www.hewi.com/en/spare-parts)



right handed version



**HEWI Backrest rail**

- padded backrest with right-angled fixing rails on each side and rose fixing on one side
- with continuous, corrosion resistant steel core
- one-sided wall mounting with rose
- one-sided mounting on hinged or stationary support rail with wall mounting plate
- fulfils the requirements according to DIN 18040
- c to c from 670 to 730 mm, adjustable on site
- backrest 350 mm wide and 220 mm high
- 150 mm deep, rails  $\varnothing$  33 mm, rose  $\varnothing$  70 mm
- padding made of black PUR

**right handed version** (from users point of view)

- rail right, rose left
- rails made of high-quality polyamide in 14 HEWI colours
- rails made of high-quality matt polyamide in 5 HEWI colours

801.51.920R  
801.51B920R

**left handed version**

- rail left, rose right
- rails made of high-quality polyamide in 14 HEWI colours
- rails made of high-quality matt polyamide in 5 HEWI colours

801.51.920L  
801.51B920L

**HEWI active<sup>+</sup> Backrest rail**

- do., in HEWI colour 98 (signal white), with active antimicrobial microsilver

⊕ 801.51D920R

**right handed version** (from users point of view)

- rail right, rose left

**left handed version**

- rail left, rose right

⊕ 801.51D920L

**Attention:** Fixing material for backrest rail BM1...2.2 on handle side order separately according to table below  
Supplied only with HEWI fixing material.

BM1151  
10856  
68524

**HEWI Fixing kit**  
**HEWI Rose cap**  
**HEWI Rose cap, matt**

**Fixing material for backrest rail on hinged support rail** see pages 738 and 741

**Hinged support rail**

BM10.2, BM17.2  
BM11.2, BM18.2  
BM12.2  
BM13.2

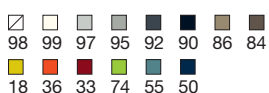
**Backrest rail**

both sides (for 801.51...900)  
**BM10.2.1**  
**BM11.2.1**  
**BM12.2.1**  
**BM13.2.1**

**Backrest rail**

one-sided (for 801.51...920L/R)  
**BM10.2.2**  
**BM11.2.2**  
**BM12.2.2**  
**BM13.2.2**

**14 HEWI colours**



**HEWI Hinged support rails** see pages 122-135

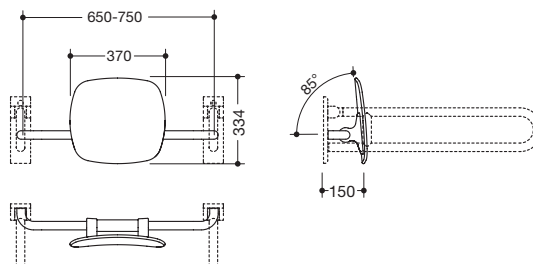
Item Number

Dimensions in mm / Specification



801.51.9061  
801.51.9062  
801.51.9063

801.51B9061  
801.51B9062  
801.51B9063



**HEWI Backrest rail**

- padded backrest with right-angled mounting bars on each side
- with continuous, corrosion resistant steel core
- for fitting onto hinged support rails or stationary supports with wall mounting plate Range 801
- c to c from 650 to 750 mm, adjustable on site
- 150 mm deep, rails ø 33 mm, backrest 370 mm wide and 334 mm high
- fulfils the requirements acc. to DIN 18040 and ÖNORM B 1600/1601

- rails made of high-quality polyamide in 14 HEWI colours
- backrest made of synthetic material in HEWI colour 98 (signal white)
- backrest made of synthetic material in HEWI colour 92 (anthracite grey)
- backrest made of synthetic material in HEWI colour 90 (jet black)

- rails made of high-quality matt polyamide in 5 HEWI colours
- backrest made of synthetic material in HEWI colour 98 (signal white)
- backrest made of synthetic material in HEWI colour 92 (anthracite grey)
- backrest made of synthetic material in HEWI colour 90 (jet black)

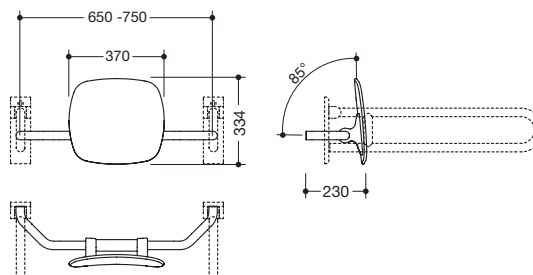
**Attention:** Fixing material for backrest rail BM1...2.1 to be ordered separately according to the table (see page 137)

If the backrest rail is to be mounted individually, use 801.51...916... with roses (see right). Supplied only with HEWI fixing material. Supplied only with HEWI fixing material.



801.51.9071  
801.51.9072  
801.51.9073

801.51B9071  
801.51B9072  
801.51B9073



**HEWI Backrest rail**

- with right-angled fixing rails on each side
- user-friendly wall distance of 230 mm
- with continuous, corrosion resistant steel core
- for fitting onto hinged support rails or stationary supports with wall mounting plate Range 801
- c to c from 650 to 750 mm, adjustable on site
- 230 mm deep, rails ø 33 mm, backrest 370 mm wide and 334 mm high

- rails made of high-quality polyamide in 14 HEWI colours
- backrest made of synthetic material in HEWI colour 98 (signal white)
- backrest made of synthetic material in HEWI colour 92 (anthracite grey)
- backrest made of synthetic material in HEWI colour 90 (jet black)

- rails made of high-quality matt polyamide in 5 HEWI colours
- backrest made of synthetic material in HEWI colour 98 (signal white)
- backrest made of synthetic material in HEWI colour 92 (anthracite grey)
- backrest made of synthetic material in HEWI colour 90 (jet black)

**Attention:** Fixing material for backrest rail BM1...2.1 to be ordered separately according to the table (see page 137)

If the backrest rail is to be mounted individually, use 801.51...917... with roses (see right). Supplied only with HEWI fixing material.

**5 matt HEWI colours**



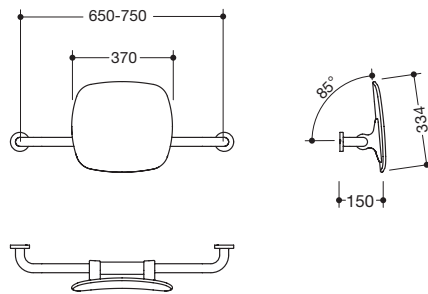
**HEWI Hinged support rails** see pages 122-135

**Ordering aid** see online catalogue

Item Number

Dimensions in mm / Specification

Range 477/801



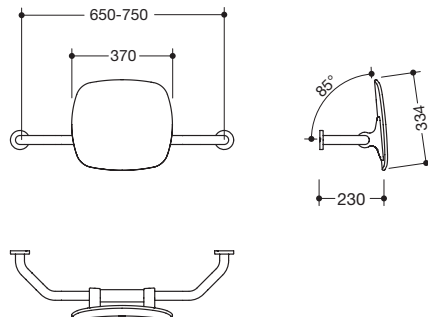
**HEWI Backrest rail**

- padded backrest with a right-angled mounting bar on each side and rose fixings
- with continuous, corrosion resistant steel core
- wall mounting with roses
- c to c from 650 to 750 mm, adjustable on site
- 150 mm deep, rails ø 33 mm, roses ø 70 mm
- backrest 370 mm wide and 334 mm high
- fulfils the requirements acc. to DIN 18040 and ÖNORM B 1600/1601
- supplied with fixing material BM211

**801.51.9161**  
**801.51.9162**  
**801.51.9163**

**801.51B9161**  
**801.51B9162**  
**801.51B9163**

- rails made of high-quality polyamide in 14 colours
- backrest made of synthetic material in HEWI colour 98 (signal white)
- backrest made of synthetic material in HEWI colour 92 (anthracite grey)
- backrest made of synthetic material in HEWI colour 90 (jet black)
- rails made of high-quality matt polyamide in 5 HEWI colours
- backrest made of synthetic material in HEWI colour 98 (signal white)
- backrest made of synthetic material in HEWI colour 92 (anthracite grey)
- backrest made of synthetic material in HEWI colour 90 (jet black)



**HEWI Backrest rail**

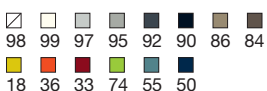
- with right-angled fixing rails on each side and rose fixings
- user-friendly wall distance of 230 mm
- with continuous, corrosion resistant steel core
- wall mounting with roses
- c to c from 650 to 750 mm, adjustable on site
- 230 mm deep, rails ø 33 mm, roses ø 70 mm
- backrest 370 mm wide and 334 mm high
- supplied with fixing material BM211

**801.51.9171**  
**801.51.9172**  
**801.51.9173**

**801.51B9171**  
**801.51B9172**  
**801.51B9173**

- rails made of high-quality polyamide in 14 colours
- backrest made of synthetic material in HEWI colour 98 (signal white)
- backrest made of synthetic material in HEWI colour 92 (anthracite grey)
- backrest made of synthetic material in HEWI colour 90 (jet black)
- rails made of high-quality matt polyamide in 5 HEWI colours
- backrest made of synthetic material in HEWI colour 98 (signal white)
- backrest made of synthetic material in HEWI colour 92 (anthracite grey)
- backrest made of synthetic material in HEWI colour 90 (jet black)

**14 HEWI colours**



**HEWI Hinged support rails** see pages 122-135

Item Number

Dimensions in mm / Specification



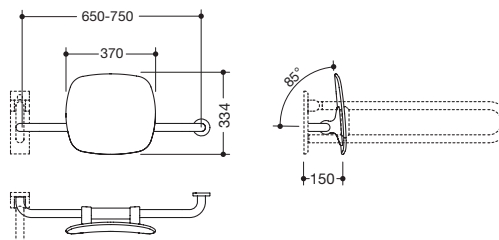
left handed version

**801.51.9261R**  
**801.51.9262R**  
**801.51.9263R**

**801.51B9261R**  
**801.51B9262R**  
**801.51B9263R**

**801.51.9261L**  
**801.51.9262L**  
**801.51.9263L**

**801.51B9261L**  
**801.51B9262L**  
**801.51B9263L**



**HEWI Backrest rail**

- with right-angled fixing rails on each side and rose fixing on one side
- with continuous, corrosion resistant steel core
- one-sided wall mounting with rose
- one-sided mounting on hinged or stationary support rail with wall mounting plate
- c to c from 650 to 750 mm, adjustable on site
- 150 mm deep, rails  $\varnothing$  33 mm, rose  $\varnothing$  70 mm
- backrest 370 mm wide and 334 mm high
- fulfils the requirements acc. to DIN 18040 and ÖNORM B 1600/1601

**right handed version** (from users point of view)

- rail right, rose left
- rails made of high-quality polyamide in 14 colours
- backrest made of synthetic material in HEWI colour 98 (signal white)
- backrest made of synthetic material in HEWI colour 92 (anthracite grey)
- backrest made of synthetic material in HEWI colour 90 (jet black)

- rails made of high-quality matt polyamide in 5 HEWI colours
- backrest made of synthetic material in HEWI colour 98 (signal white)
- backrest made of synthetic material in HEWI colour 92 (anthracite grey)
- backrest made of synthetic material in HEWI colour 90 (jet black)

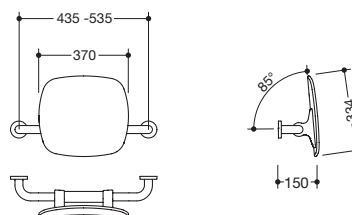
**left handed version**

- rail left, rose right
- rails made of high-quality polyamide in 14 colours
- backrest made of synthetic material in HEWI colour 98 (signal white)
- backrest made of synthetic material in HEWI colour 92 (anthracite grey)
- backrest made of synthetic material in HEWI colour 90 (jet black)

- rails made of high-quality matt polyamide in 5 HEWI colours
- backrest made of synthetic material in HEWI colour 98 (signal white)
- backrest made of synthetic material in HEWI colour 92 (anthracite grey)
- backrest made of synthetic material in HEWI colour 90 (jet black)

**Attention:** Fixing material for backrest rail BM1...2.2 on support side order separately according to the table (see page 137)

Supplied only with HEWI fixing material.



**HEWI Backrest rail**

- with right-angled fixing rails on each side and rose fixings, supplied with fixing material BM211
- with continuous, corrosion resistant steel core
- wall mounting with roses
- c to c from 435 to 535 mm, adjustable on site
- 150 mm deep, rails  $\varnothing$  33 mm, roses  $\varnothing$  70 mm
- backrest 370 mm wide and 334 mm high
- fulfils the BS-Standard BS 8300:2009+A1:2010/Doc M requirements

**801.51.9121**  
**801.51.9122**  
**801.51.9123**

- backrest made of synthetic material in HEWI colour 98 (signal white)
- backrest made of synthetic material in HEWI colour 92 (anthracite grey)
- backrest made of synthetic material in HEWI colour 90 (jet black)

**5 matt HEWI colours**



**HEWI Hinged support rails** see pages 122-135

**Ordering aid** see online catalogue



Item Number

Dimensions in mm / Specification

Range 477/801



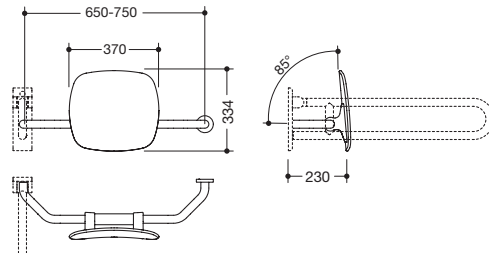
right handed version

801.51.9271R  
801.51.9272R  
801.51.9273R

801.51B9271R  
801.51B9272R  
801.51B9273R

801.51.9271L  
801.51.9272L  
801.51.9273L

801.51B9271L  
801.51B9272L  
801.51B9273L



**HEWI Backrest rail**

- with right-angled fixing rails on each side and rose fixing on one side
- user-friendly wall distance of 230 mm
- with continuous, corrosion resistant steel core
- one-sided wall mounting with rose
- one-sided mounting on hinged or stationary support rail with wall mounting plate
- c to c from 650 to 750 mm, adjustable on site
- 230 mm deep, rails  $\varnothing$  33 mm, rose  $\varnothing$  70 mm
- backrest 370 mm wide and 334 mm high

**right handed version** (from users point of view)

- rail right, rose left
- rails made of high-quality polyamide in 14 colours
- backrest made of synthetic material in HEWI colour 98 (signal white)
- backrest made of synthetic material in HEWI colour 92 (anthracite grey)
- backrest made of synthetic material in HEWI colour 90 (jet black)

- rails made of high-quality matt polyamide in 5 HEWI colours
- backrest made of synthetic material in HEWI colour 98 (signal white)
- backrest made of synthetic material in HEWI colour 92 (anthracite grey)
- backrest made of synthetic material in HEWI colour 90 (jet black)

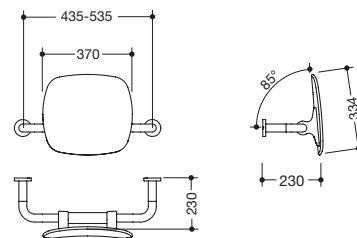
**left handed version**

- rail left, rose right
- rails made of high-quality polyamide in 14 colours
- backrest made of synthetic material in HEWI colour 98 (signal white)
- backrest made of synthetic material in HEWI colour 92 (anthracite grey)
- backrest made of synthetic material in HEWI colour 90 (jet black)

- rails made of high-quality matt polyamide in 5 HEWI colours
- backrest made of synthetic material in HEWI colour 98 (signal white)
- backrest made of synthetic material in HEWI colour 92 (anthracite grey)
- backrest made of synthetic material in HEWI colour 90 (jet black)

**Attention:** Fixing material for backrest rail BM1...2.2 on support side order separately according to the table (see page 137)

Supplied only with HEWI fixing material.



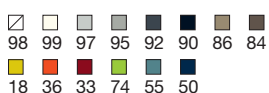
**HEWI Backrest rail**

- with right-angled fixing rails on each side and rose fixings, supplied with fixing material BM211
- with continuous, corrosion resistant steel core
- wall mounting with roses
- c to c from 435 to 535 mm, adjustable on site
- 230 mm deep, rails  $\varnothing$  33 mm, roses  $\varnothing$  70 mm
- backrest 370 mm wide and 334 mm high

801.51.9131  
801.51.9132  
801.51.9133

- backrest made of synthetic material in HEWI colour 98 (signal white)
- backrest made of synthetic material in HEWI colour 92 (anthracite grey)
- backrest made of synthetic material in HEWI colour 90 (jet black)

**14 HEWI colours**

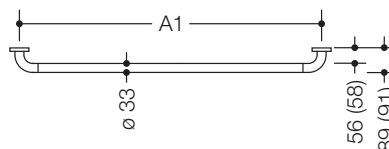


**HEWI Hinged support rails** see pages 122-135

**Ordering aid** see online catalogue

Item Number

Dimensions in mm / Specification



**HEWI Support rail**

- rail with right-angled bends at the ends
- for wall mounting with fixing material from HEWI
- rail ø 33 mm, roses ø 70 mm
- made of high-quality polyamide

<b>c to c</b>	with continuous, corrosion resistant <b>steel core</b> and <b>fixing roses made of steel</b> , in 14 HEWI colours, 89 mm deep	⊕ <b>HEWI active+</b> with active antimicrobial microsilver in HEWI colour 98 (signal white)	with <b>aluminum core</b> , steel rein-forced end bends and <b>fixing roses made of synthetic material</b> , in 14 HEWI colours, 91 mm deep
A1 = 300 mm	<b>801.36.100</b>	<b>801.36D100</b>	
A1 = 400 mm	<b>801.36.110</b>	<b>801.36D110</b>	<b>801.36.116</b>
A1 = 500 mm	<b>801.36.120</b>	<b>801.36D120</b>	<b>801.36.126</b>
A1 = 600 mm	<b>801.36.130</b>	<b>801.36D130</b>	<b>801.36.136</b>
A1 = 800 mm	<b>801.36.160</b>	<b>801.36D160</b>	
A1 = 900 mm	<b>801.36.140</b>	<b>801.36D140</b>	
A1 = 1000 mm	<b>801.36.170</b>	<b>801.36D170</b>	
A1 = 1100 mm	<b>801.36.150</b>	<b>801.36D150</b>	
A1 = 220 - 1100 mm	<b>801.36.1S*</b>	<b>801.36D1S*</b>	

<b>c to c</b>	with continuous, corrosion resistant <b>steel core</b> and <b>fixing roses made of steel</b> , made of high-quality matt polyamide in 5 HEWI colours, 89 mm deep	with <b>aluminum core</b> , steel rein-forced end bends and <b>fixing roses made of synthetic material</b> , made of high-quality matt polyamide in 5 HEWI colours, 91 mm deep
A1 = 300 mm	<b>801.36B100</b>	
A1 = 400 mm	<b>801.36B110</b>	<b>801.36B116</b>
A1 = 500 mm	<b>801.36B120</b>	<b>801.36B126</b>
A1 = 600 mm	<b>801.36B130</b>	<b>801.36B136</b>
A1 = 800 mm	<b>801.36B160</b>	
A1 = 900 mm	<b>801.36B140</b>	
A1 = 1000 mm	<b>801.36B170</b>	
A1 = 1100 mm	<b>801.36B150</b>	
A1 = 220 - 1100 mm	<b>801.36B1S*</b>	

**When using with removable hanging seats, please note!**

Compatibility testing required. A detailed list of the possible combinations of support rails, L-shaped support rails and shower head rails with matching removable hanging seats can be found in our online catalogue in the download area of the respective product.

\*From a horizontal length of A1 = 851 mm, the support rail has an additional centrally-positioned support. Please advise A1 when ordering.

**5 matt HEWI colours**



**801.50...011**  
**10856, 68524, 62800**  
**10862, 68552, 62737**

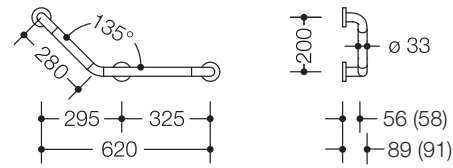
**Fixing material BM211** included in delivery page 742

**Upgrade kit toilet roll holder** to be ordered separately see page 131  
**HEWI Rose cap**  
**HEWI Rose cap, divided**

Item Number

Dimensions in mm / Specification

Range 477/801



801.22.200  
801.22B200

801.22.206  
801.22B206

801.50...011

⊕ 801.22D200

⊕ 801.50D011

10856, 68524, 62800  
10862, 68552, 62737

**HEWI L-shaped support rail**

- bars joined at a flat angle
- increased stability through 3 mounting supports
- not intended for hanging seats
- can be mounted in left hand or right hand position
- for wall mounting with fixing material from HEWI
- c to c 325 mm, 295 mm and 200 mm, angle 135°
- rails ø 33 mm, roses ø 70 mm

- with continuous, corrosion resistant steel core and fixing roses made of steel, 89 mm deep
- made of high-quality polyamide in 14 HEWI colours
- made of high-quality matt polyamide in 5 HEWI colours

- with aluminum core, steel reinforced end bends and fixing roses made of synthetic material, 91 mm deep
- made of high-quality polyamide in 14 HEWI colours
- made of high-quality matt polyamide in 5 HEWI colours

**Upgrade kit toilet roll holder** to be ordered separately page 131

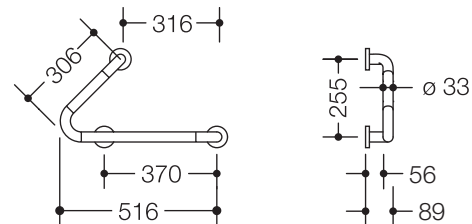
**HEWI active+ L-shaped support rail**

- do., in HEWI colour 98 (signal white), with active antimicrobial microsilver

**HEWI active+ Upgrade kit toilet roll holder**  
to be ordered separately page 131

**Fixing material BM211** included in delivery page 742

**HEWI Rose cap**  
**HEWI Rose cap, divided**



801.22.300  
801.22B300

801.50...011

10856, 68524  
10862, 68552

**HEWI L-shaped support rail**

- not intended for hanging seats
- with continuous, corrosion resistant steel core
- can be mounted in left hand or right hand position
- for wall mounting with fixing material from HEWI
- c to c 370 mm, 316 mm and 255 mm, angle 45°
- 89 mm deep, rails ø 33 mm, roses ø 70 mm

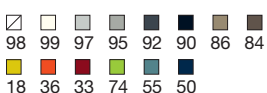
- made of high-quality polyamide in 14 HEWI colours
- made of high-quality matt polyamide in 5 HEWI colours

**Upgrade kit toilet roll holder** to be ordered separately page 131

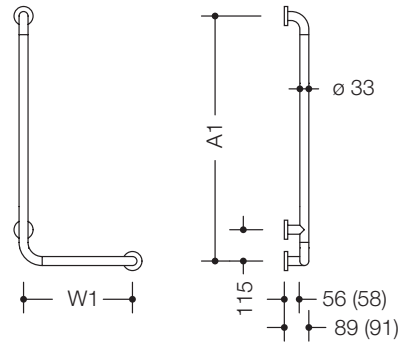
**Fixing material BM211** included in delivery page 742

**HEWI Rose cap**  
**HEWI Rose cap, divided**

**14 HEWI colours**



Detailed information about the spare parts can be found here:  
[www.hewi.com/en/spare-parts](http://www.hewi.com/en/spare-parts)



**HEWI L-shaped support rail**

- can be mounted in left hand or right hand position
- for wall mounting with fixing material from HEWI
- rails  $\varnothing$  33 mm, roses  $\varnothing$  70 mm

<b>c to c</b>	with continuous, corrosion resistant <b>steel core</b> and <b>fixing roses made of steel</b> , made of high-quality polyamide in 14 HEWI colours, 89 mm deep	⊕ <b>HEWI active+</b> with active antimicrobial microsilver, in HEWI colour 98 (signal white)	A1 with corrosion resistant <b>steel core</b> and W1 with <b>aluminum core</b> , steel reinforced end bends and <b>fixing roses made of synthetic material</b> , in 14 HEWI colours, 91 mm deep
A1 = 600 mm, W1 = 300 mm	<b>801.22.100</b>	<b>801.22D100</b>	<b>801.22.106</b>
A1 = 900 mm, W1 = 400 mm	<b>801.22.110</b>	<b>801.22D110</b>	
A1 = 255 mm, W1 = 255 mm	<b>801.22.120*</b>		
A1 = 750 mm, W1 = 500 mm	<b>801.22.130**</b>	<b>801.22D130**</b>	<b>801.22.136**</b>
A1 = 1000 mm, W1 = 500 mm	<b>801.22.140***</b>	<b>801.22D140***</b>	
A1 = 600 - 1100 mm W1 = 300 - 850 mm Please advise A1 and W1 when ordering	<b>801.22.1S</b>	<b>801.22D1S</b>	

<b>c to c</b>	with continuous, corrosion resistant <b>steel core</b> and <b>fixing roses made of steel</b> , made of high-quality matt polyamide in 5 HEWI colours, 89 mm deep	A1 with corrosion resistant <b>steel core</b> and W1 with <b>aluminum core</b> , steel reinforced end bends and <b>fixing roses made of synthetic material</b> , in 5 matt HEWI colours, 91 mm deep
A1 = 600 mm, W1 = 300 mm	<b>801.22B100</b>	<b>801.22B106</b>
A1 = 900 mm, W1 = 400 mm	<b>801.22B110</b>	
A1 = 255 mm, W1 = 255 mm	<b>801.22B120*</b>	
A1 = 750 mm, W1 = 500 mm	<b>801.22B130**</b>	<b>801.22B136**</b>
A1 = 1000 mm, W1 = 500 mm	<b>801.22B140***</b>	
A1 = 600 - 1100 mm W1 = 300 - 850 mm Please advise A1 and W1 when ordering	<b>801.22B1S</b>	

**801.50...011**  
⊕ **801.50D011**

**HEWI Upgrade kit toilet roll holder** to be ordered separately page 131  
**HEWI active+ Upgrade kit toilet roll holder** to be ordered separately page 131

\* without additional support, without steel core  
\*\* fulfils ÖNORM B 1600/1601  
\*\*\*fulfils SIA 500

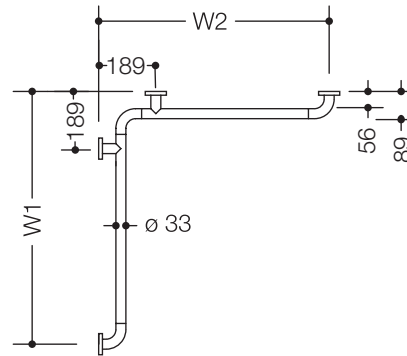
**10856, 68524, 62800**  
**10862, 68552, 62737**

**HEWI Rose cap**  
**HEWI Rose cap, divided**

**5 matt HEWI colours**



**Fixing material BM211** included in delivery page 742



**HEWI Support grab rail**

- for wall mounting with fixing material from HEWI
- can be mounted in left hand or right hand position
- 89 mm deep, rails ø 33 mm, roses ø 70 mm

c to c	with continuous, corrosion resistant <b>steel core</b> and <b>fixing roses made of steel</b> , made of high-quality polyamide in 14 HEWI colours	with continuous, corrosion resistant <b>steel core</b> and <b>fixing roses made of steel</b> , made of high-quality polyamide in 5 HEWI colours	⊕ <b>HEWI active<sup>+</sup></b> with active antimicrobial microsilver, in HEWI colour 98 (signal white)
W1 = 762 mm W2 = 474 mm	<b>801.35.100</b>	<b>801.35B100</b>	
W1 = 762 mm W2 = 762 mm	<b>801.35.110</b>	<b>801.35B110</b>	<b>801.35D110</b>
W1 = 962 mm W2 = 962 mm	<b>801.35.120</b>	<b>801.35B120</b>	
W1 = 475 - 1800 mm W2 = 475 - 1800 mm	<b>801.35.1S*</b>	<b>801.35B1S*</b>	<b>801.35D1S*</b>

**When using with removable hanging seats, please note!**

Compatibility testing required. A detailed list of the possible combinations of support rails, L-shaped support rails and shower head rails with matching removable hanging seats can be found in our online catalogue in the download area of the respective product.

\*Please advise W1 and W2 when ordering.

From a horizontal length of W1/W2 = 1200 mm, the support grab rail has an additional centrally positioned support.

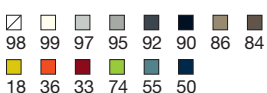
**802.03...200**  
**802.03...210**

**10856, 68524, 62800**  
**10862, 68552, 62737**

**HEWI Storage box** see page 161  
**HEWI Corner shelf** see page 161

**HEWI Rose cap**  
**HEWI Rose cap, divided**  
**Fixing material BM211** included in delivery page 742

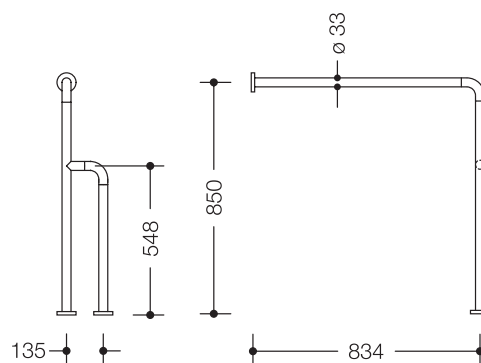
**14 HEWI colours**



Detailed information about the spare parts can be found here:  
[www.hewi.com/en/spare-parts](http://www.hewi.com/en/spare-parts)



801.22.400  
801.22B400  
801.50...011  
10856, 68524

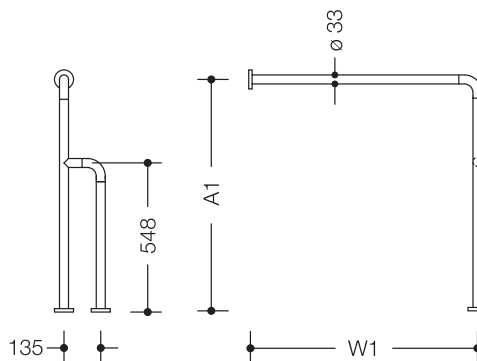


**HEWI Floor to wall stationary support**

- with continuous, corrosion resistant steel core
- can be mounted in left hand or right hand position
- for wall and floor mounting with fixing material from HEWI
- 834 mm wide, 850 mm high and 135 mm deep (c to c)
- rails  $\varnothing$  33 mm, roses  $\varnothing$  70 mm
- made of high-quality polyamide in 14 HEWI colours
- made of high-quality matt polyamide in 5 HEWI colours

**Upgrade kit toilet roll holder** to be ordered separately page 131

**HEWI Rose cap**



**HEWI Floor to wall stationary support, special lengths**

- with continuous, corrosion resistant steel core
- can be mounted in left hand or right hand position
- for wall and floor mounting with fixing material from HEWI
- 135 mm deep, rails  $\varnothing$  33 mm, roses  $\varnothing$  70 mm
- made of high-quality polyamide in 14 HEWI colours
- made of high-quality matt polyamide in 5 HEWI colours

801.22.4S  
801.22B4S

	A1	W1
min.	670 mm	300 mm
max.	950 mm	834 mm

Please advise A1 and W1 when ordering.

801.50...011  
10856, 68524

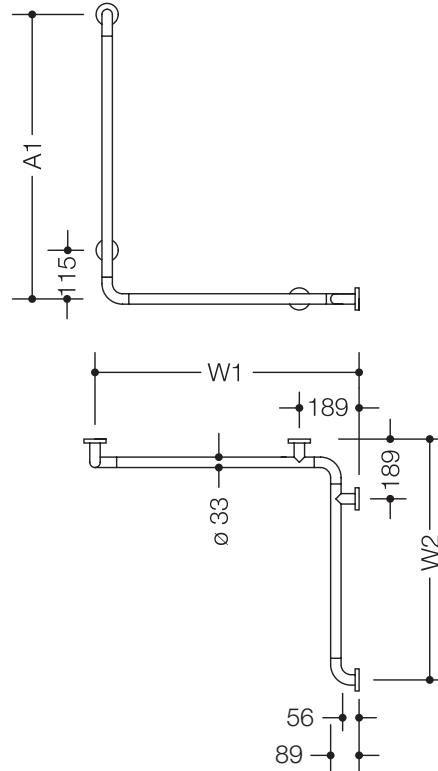
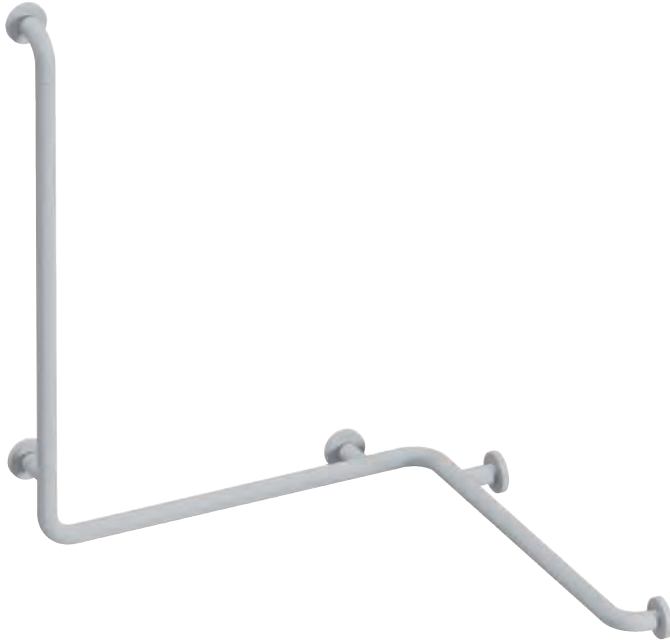
**Upgrade kit toilet roll holder** to be ordered separately page 131

**HEWI Rose cap**

**5 matt HEWI colours**



**Fixing material BM211** included in delivery page 742



**HEWI Support grab rail**

- for wall mounting with fixing material from HEWI
- can be mounted in left hand or right hand position
- 89 mm deep, rails  $\varnothing$  33 mm, roses  $\varnothing$  70 mm

c to c	with continuous, corrosion resistant <b>steel core</b> and <b>fixing roses made of steel</b> , made of high-quality polyamide in 14 HEWI colours	with continuous, corrosion resistant <b>steel core</b> and <b>fixing roses made of steel</b> , made of high-quality matt polyamide in 5 HEWI colours
A1 = 900 mm W1 = 762 mm W2 = 762 mm	<b>801.35.200</b>	<b>801.35B200</b>
A1 = 600 - 1250 mm* W1 = 475 - 1800 mm* W2 = 475 - 1800 mm*	<b>801.35.2S*</b>	<b>801.35B2S*</b>

**When using with removable hanging seats, please note!**

Compatibility testing required. A detailed list of the possible combinations of support rails, L-shaped support rails and shower head rails with matching removable hanging seats can be found in our online catalogue in the download area of the respective product.

\*Please advise A1, W1 and W2 when ordering.

From a horizontal length of W1/W2 = 1200 mm, the shower grab rail has a centrally positioned, additional wall mounting.

**802.03...200**  
**802.03...210**

**10856, 68524**  
**10862, 68552**

**HEWI Storage box** see page 161

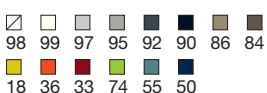
**HEWI Corner shelf** see page 161

**HEWI Rose cap**

**HEWI Rose cap, divided**

**Fixing material BM211** included in delivery page 742

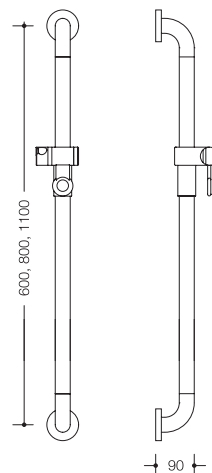
**14 HEWI colours**



Detailed information about the spare parts can be found here:  
[www.hewi.com/en/spare-parts](http://www.hewi.com/en/spare-parts)

Item Number

Dimensions in mm / Specification



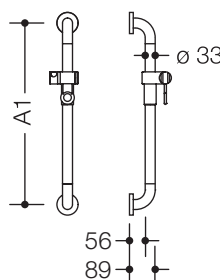
**HEWI Rail with shower head holder**

- rail system with shower head holder and rose fixings
- with corrosion-resistant steel insert
- suitable for various manufacturers' shower heads
- shower head holder adjustable to required angle and height
- 90 mm deep, rail  $\varnothing$  33 mm, roses  $\varnothing$  70 mm

**Please note**  
**477.33B...**

Functional area of shower head holder is glossy.

c to c	made of high-quality polyamide in 14 HEWI colours	made of high-quality matt polyamide in 5 HEWI colours
1100 mm	<b>477.33.100</b>	<b>477.33B100</b>
800 mm	<b>477.33.110</b>	<b>477.33B110</b>
600 mm	<b>477.33.120</b>	<b>477.33B120</b>



**HEWI Rail with shower head holder**

- shower head holder adjustable to required angle and height
- conical adapter on shower head holder facilitates accommodation of handspray
- for wall mounting with fixing material from HEWI
- 89 mm deep, rail  $\varnothing$  33 mm, roses  $\varnothing$  70 mm

**Please note**  
**801.33B...**

Functional area of shower head holder is glossy.

c to c A1	with continuous, corrosion resistant <b>steel core</b> and <b>fixing roses made of steel</b> , made of high-quality polyamide in 14 HEWI colours	with continuous, corrosion resistant <b>steel core</b> and <b>fixing roses made of steel</b> , made of high-quality matt polyamide in 5 HEWI colours	⊕ <b>HEWI active+</b> with active antimicrobial microsilver in HEWI colour 98 (signal white)
600 mm	<b>801.33.100</b>	<b>801.33B100</b>	<b>801.33D100</b>
900 mm	<b>801.33.110</b>	<b>801.33B110</b>	<b>801.33D110</b>
1100 mm	<b>801.33.120</b>	<b>801.33B120</b>	<b>801.33D120</b>
600 - 1250 mm*	<b>801.33.1S</b>	<b>801.33B1S</b>	<b>801.33D1S</b>

\*Please advise A1 when ordering.

**5 matt HEWI colours**



**61979, 68563**  
**950.33...E0190**  
**10856, 68524, 62800**  
**950.33.E03...**  
**950.33.E05...**

**HEWI Shower hose holder** see page 155

**HEWI Shower head holder**

**HEWI Rose cap**

**HEWI Handspray** to be ordered separately page 702

**HEWI Shower hose** to be ordered separately page 703

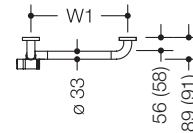
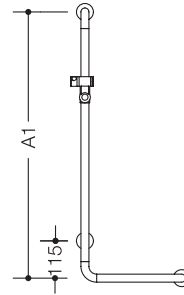
**Fixing material BM211** included in delivery page 742



Item Number

Dimensions in mm / Specification

Range 477/801



**HEWI L-shaped support rail with shower head holder**

- shower head holder adjustable to required angle and height
- conical adapter on shower head holder facilitates accommodation of handspray
- for wall mounting with fixing material from HEWI
- can be mounted in left hand or right hand position
- rails  $\varnothing$  33 mm, roses  $\varnothing$  70 mm

	with continuous, corrosion resistant <b>steel core</b> and <b>fixing roses made of steel</b> , made of high-quality polyamide in 14 HEWI colours, 89 mm deep	⊕ <b>HEWI active<sup>+</sup></b> with active antimicrobial microsilver in HEWI colour 98 (signal white)	A1 with corrosion resistant <b>steel core</b> and W1 with <b>aluminum core</b> , steel reinforced end bends and <b>fixing roses made of synthetic material</b> , made of high-quality polyamide in 14 HEWI colours, 91 mm deep
<b>c to c</b>			
A1 = 1100 mm W1 = 600 mm	<b>801.33.210</b>	<b>801.33D210</b>	<b>801.33.216</b>
A1 = 1250 mm W1 = 600 mm	<b>801.33.220</b>	<b>801.33D220</b>	<b>801.33.226</b>
A1 = 600 - 1250 mm W1 = 300 - 850 mm*	<b>801.33.2S*</b>	<b>801.33D2S*</b>	
	with continuous, corrosion resistant <b>steel core</b> and <b>fixing roses made of steel</b> , made of high-quality matt polyamide in 5 HEWI colours, 89 mm deep	A1 with corrosion resistant <b>steel core</b> and W1 with <b>aluminum core</b> , steel reinforced end bends and <b>fixing roses made of synthetic material</b> , made of high-quality matt polyamide in 5 HEWI colours, 91 mm deep	
<b>c to c</b>			
A1 = 1100 mm W1 = 600 mm	<b>801.33B210</b>	<b>801.33B216</b>	
A1 = 1250 mm W1 = 600 mm	<b>801.33B220</b>	<b>801.33B226</b>	
A1 = 600 - 1250 mm W1 = 300 - 850 mm*	<b>801.33B2S*</b>		

**Please note**

**801.33B...**

Functional area of shower head holder is glossy.

**61979, 68563**  
**802.03...200**

**When using with removable hanging seats, please note!**

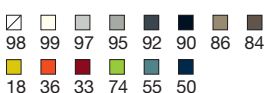
Compatibility testing required. A detailed list of the possible combinations of support rails, L-shaped support rails and shower head rails with matching removable hanging seats can be found in our online catalogue in the download area of the respective product.

\*Please advise A1 and W1 when ordering.

**HEWI Shower hose holder** see page 155

**HEWI Storage box** see page 161

**14 HEWI colours**



**950.33...E0190**

**10856, 68524, 62800**

**10862, 68552, 62737**

**950.33.E03...**

**950.33.E05...**

**HEWI Shower head holder**

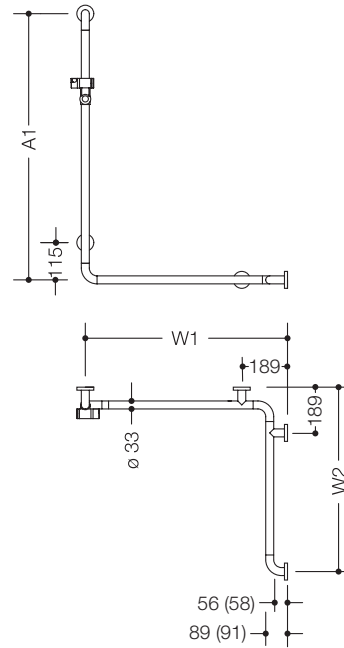
**HEWI Rose cap**

**HEWI Rose cap, divided**

**HEWI Handspray** to be ordered separately page 702

**HEWI Shower hose** to be ordered separately page 703

**Fixing material BM211** included in delivery page 742



**HEWI Rail with vertical support bar and shower head holder**

- shower head holder adjustable to required angle and height
- conical adapter on shower head holder facilitates accommodation of handspray
- for wall mounting with fixing material from HEWI
- can be mounted in left hand or right hand position
- rails  $\varnothing$  33 mm, roses  $\varnothing$  70 mm

c to c	with continuous, corrosion resistant <b>steel core</b> and <b>fixing roses made of steel</b> , made of high-quality polyamide in 14 HEWI colours, 89 mm deep	⊕ <b>HEWI active<sup>+</sup></b> with active antimicrobial microsilver in HEWI colour 98 (signal white)	A1 with corrosion resistant <b>steel core</b> and W1/W2 with <b>aluminum core</b> , steel reinforced end bends and <b>fixing roses made of synthetic material</b> , made of high-quality polyamide in 14 HEWI colours, 91 mm deep
A1 = 1100 mm W1/ W2 = 762 mm	<b>801.35.210</b>	<b>801.35D210</b>	<b>801.35.216</b>
A1 = 1250 mm W1/ W2 = 762 mm	<b>801.35.220</b>	<b>801.35D220</b>	<b>801.35.226</b>
A1 = 1100 mm W1 = 762 mm, W2 = 962 mm	<b>801.35.230**</b>		<b>801.35.236**489,10</b> <b>New</b>
A1 = 1250 mm W1 = 762 mm, W2 = 962 mm	<b>801.35.240**</b>		<b>801.35.246**489,10</b> <b>New</b>
A1 = 600-1250 mm W1/ W2 = 475 -1800 mm*	<b>801.35.21S*</b>	<b>801.35D21S*</b>	

**When using with removable hanging seats, please note!**

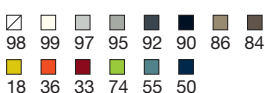
Compatibility testing required. A detailed list of the possible combinations of support rails, L-shaped support rails and shower head rails with matching removable hanging seats can be found in our online catalogue in the download area of the respective product.

\*Please advise A1, W1/W2 when ordering.

From a horizontal length of W1/W2 = 1200 mm, the shower grab rail has a centrally positioned, additional wall mounting.

\*\*fulfils ÖNORM B 1600/160

**14 HEWI colours**



**61979**  
**950.33...E0190**  
**10856, 62800, 10862, 62737**  
**950.33.E03...**  
**950.33.E05...**

**HEWI Shower hose holder** see page 155

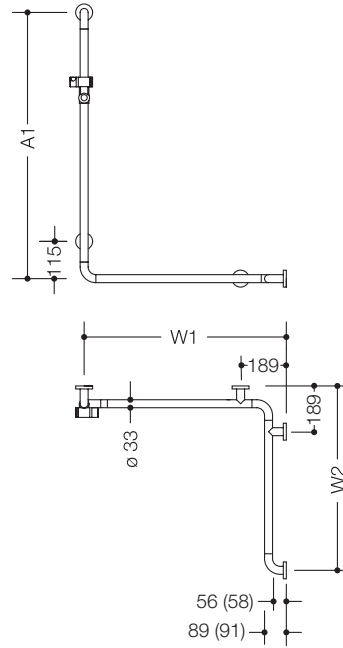
**HEWI Shower head holder**

**HEWI Rose cap**

**HEWI Handspray** to be ordered separately page 702

**HEWI Shower hose** to be ordered separately page 703

**Fixing material BM211** included in delivery page 742



**HEWI Rail with vertical support bar and shower head holder**

- shower head holder adjustable to required angle and height
- conical adapter on shower head holder facilitates accommodation of handspray
- for wall mounting with fixing material from HEWI
- can be mounted in left hand or right hand position
- rails  $\varnothing$  33 mm, roses  $\varnothing$  70 mm

c to c	with continuous, corrosion resistant <b>steel core</b> and <b>fixing roses made of steel</b> , made of high-quality matt polyamide in 5 HEWI colours, 89 mm deep	A1 with corrosion resistant <b>steel core</b> and W1/W2 with <b>aluminum core</b> , steel reinforced end bends and <b>fixing roses made of synthetic material</b> , made of high-quality matt polyamide in 5 HEWI colours, 91 mm deep
A1 = 1100 mm W1/ W2 = 762 mm	<b>801.35B210</b>	<b>801.35B216</b>
A1 = 1250 mm W1/ W2 = 762 mm	<b>801.35B220</b>	<b>801.35B226</b>
A1 = 1100 mm W1 = 762 mm, W2 = 962 mm	<b>801.35B230**</b>	
A1 = 1250 mm W1 = 762 mm, W2 = 962 mm	<b>801.35B240**</b>	
A1 = 600-1250 mm W1/ W2 = 475 -1800 mm*	<b>801.35B21S*</b>	

**Please note**

**801.35B...**

Functional area of shower head holder is glossy.

\*\*fulfils ÖNORM B 1600/1601

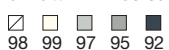
**When using with removable hanging seats, please note!**

Compatibility testing required. A detailed list of the possible combinations of support rails, L-shaped support rails and shower head rails with matching removable hanging seats can be found in our online catalogue in the download area of the respective product.

\*Please advise A1, W1/W2 when ordering.

From a horizontal length of W1/W2 = 1200 mm, the shower grab rail has a centrally positioned, additional wall mounting.

**5 matt HEWI colours**



- 68563
- 950.33BE0190
- 68524, 68552
- 950.33.E03...
- 950.33.E05...

**HEWI Shower hose holder** see page 155

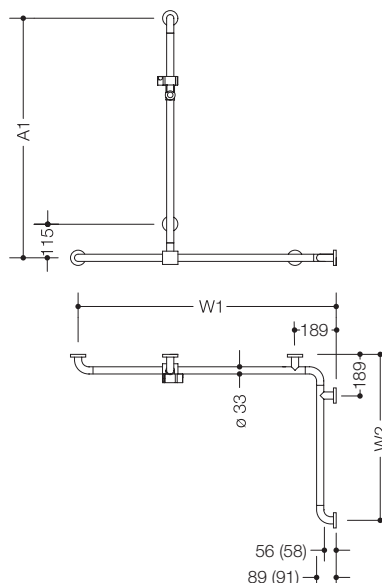
**HEWI Shower head holder**

**HEWI Rose cap**

**HEWI Handspray** to be ordered separately page 702

**HEWI Shower hose** to be ordered separately page 703

**Fixing material BM211** included in delivery page 742



**HEWI Rail with vertical support bar and shower head holder**

- do., with sideways adjustable vertical support bar (for installation)
- rails  $\varnothing$  33 mm, roses  $\varnothing$  70 mm
- made of high-quality polyamide, can be mounted in left hand or right hand position

Note during installation: max. horizontal mounting distance 850 mm.

c to c	with continuous, corrosion resistant <b>steel core, fixing roses made of steel</b> , in 14 HEWI colours, 89 mm deep	☺ <b>HEWI active+</b> with active antimicrobial micro-silver in HEWI colour 98 (signal white)	with <b>aluminum core</b> , steel reinforced end bends, <b>fixing roses made of synthetic material</b> , in 14 HEWI colours, 91 mm deep
A1 = 1100 mm W1 = 1185 mm, W2 = 762 mm	<b>801.35.300</b>		
A1 = 1100 mm W1/W2 = 762 mm	<b>801.35.310</b>	<b>801.35D310</b>	<b>801.35.316</b>
A1 = 1100 mm W1/W2 = 962 mm	<b>801.35.320</b>	<b>801.35D320</b>	
A1 = 1250 mm W1 = 1185 mm, W2 = 762 mm	<b>801.35.330</b>		
A1 = 1250 mm W1/W2 = 762 mm	<b>801.35.340</b>	<b>801.35D340</b>	<b>801.35.346</b>
A1 = 1250 mm W1/W2 = 962 mm	<b>801.35.350</b>	<b>801.35D350</b>	
A1 = 1100 mm W1 = 762 mm, W2 = 962 mm	<b>801.35.360</b> <b>New</b>		<b>801.35.366</b> <b>New</b>
A1 = 1250 mm W1 = 762 mm, W2 = 962 mm	<b>801.35.370</b> <b>New</b>		<b>801.35.376</b> <b>New</b>
A1 = 600-1250 mm W1/W2 = 475-1800 mm*	<b>801.35.3S*</b>	<b>801.35D3S*</b>	

**When using with removable hanging seats, please note!**

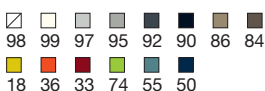
Compatibility testing required. A detailed list of the possible combinations of support rails, L-shaped support rails and shower head rails with matching removable hanging seats can be found in our online catalogue in the download area of the respective product.

\*Please advise A1, W1/W2 when ordering.

From a horizontal length of W1/W2 = 1200 mm, the rail has an additional centrally-positioned support.

A1 can only be fixed with W1.

**14 HEWI colours**



**61979**  
**950.33.E0190, 950.33DE0190**  
**10856, 62800, 10862, 62737**  
**950.33.E03, 950.33.E04**  
**950.33.E05...**

**HEWI Shower hose holder** see page 155

**HEWI Shower head holder**

**HEWI Rose cap**

**HEWI Handspray** to be ordered separately page 702

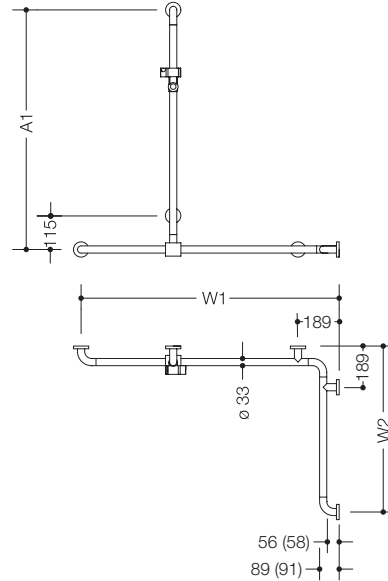
**HEWI Shower hose** to be ordered separately page 703

**Fixing material BM211** included in delivery page 742

Item Number

Dimensions in mm / Specification

Range 477/801



**HEWI Rail with vertical support bar and shower head holder**

· do., made of high-quality matt polyamide

c to c	with continuous, corrosion resistant <b>steel core</b> and <b>fixing roses made of steel</b> , in 5 HEWI colours, 89 mm deep	with <b>aluminum core</b> , steel reinforced end bends, <b>fixing roses made of synthetic material</b> , in 5 HEWI colours, 91 mm deep
A1 = 1100 mm W1 = 1185 mm, W2 = 762 mm	<b>801.35B300</b>	
A1 = 1100 mm W1/W2 = 762 mm	<b>801.35B310</b>	<b>801.35B316</b>
A1 = 1100 mm W1/W2 = 962 mm	<b>801.35B320</b>	
A1 = 1250 mm W1 = 1185 mm, W2 = 762 mm	<b>801.35B330</b>	
A1 = 1250 mm W1/W2 = 762 mm	<b>801.35B340</b>	<b>801.35B346</b>
A1 = 1250 mm W1/W2 = 962 mm	<b>801.35B350</b>	
A1 = 600 - 1250 mm W1/W2 = 475 - 1800 mm*	<b>801.35B3S*</b>	

**801.35B...**

Functional area of shower head holder is glossy.

**5 matt HEWI colours**



**68563**  
**950.33BE0190**  
**68524, 68552**  
**950.33.E03...**  
**950.33.E05...**

**HEWI Shower hose holder** see page 155

**HEWI Shower head holder**

**HEWI Rose cap**

**HEWI Handspray** to be ordered separately page 702

**HEWI Shower hose** to be ordered separately page 703

**Fixing material BM211** included in delivery page 742

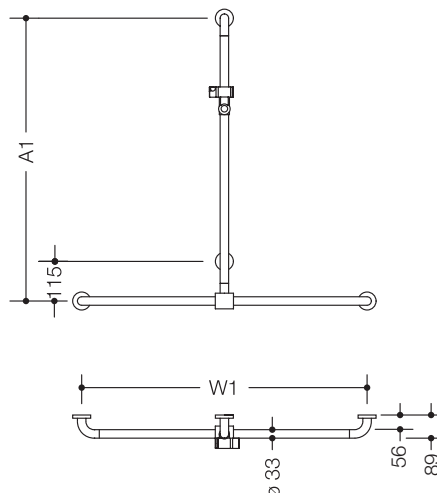
**When using with removable hanging seats, please note!**

Compatibility testing required. A detailed list of the possible combinations of support rails, L-shaped support rails and shower head rails with matching removable hanging seats can be found in our online catalogue in the download area of the respective product.

\*Please advise A1, W1/W2 when ordering.

From a horizontal length of W1/W2 = 1200 mm, the rail has an additional centrally-positioned support.

A1 can only be fixed with W1.



**HEWI Rail with vertical support bar and shower head holder**

- with sideways adjustable vertical support bar (for installation)
- shower head holder adjustable to required angle and height
- conical adapter on shower head holder facilitates accommodation of handspray
- for wall mounting with fixing material from HEWI
- rails  $\varnothing$  33 mm, roses  $\varnothing$  70 mm

c to c	with continuous, corrosion resistant <b>steel core</b> and <b>fixing roses made of steel</b> , made of high-quality polyamide in 14 HEWI colours, 89 mm deep	with continuous, corrosion resistant <b>steel core</b> and <b>fixing roses made of steel</b> , made of high-quality matt polyamide in 5 HEWI colours	⊕ <b>HEWI active+</b> with active antimicrobial microsilver in HEWI colour 98 (signal white)
A1 = 1100 mm W1 = 762 mm	<b>801.35.420</b>	<b>801.35B420</b>	<b>801.35D420</b>
A1 = 1100 mm W1 = 962 mm	<b>801.35.410</b>	<b>801.35B410</b>	<b>801.35D410</b>
A1 = 1100 mm W1 = 1184 mm	<b>801.35.430</b>	<b>801.35B430</b>	<b>801.35D430</b>
A1 = 1250 mm W1 = 762 mm	<b>801.35.450</b>	<b>801.35B450</b>	<b>801.35D450</b>
A1 = 1250 mm W1 = 962 mm	<b>801.35.440</b>	<b>801.35B440</b>	<b>801.35D440</b>
A1 = 1250 mm W1 = 1184 mm	<b>801.35.460</b>	<b>801.35B460</b>	<b>801.35D460</b>
A1 = 600 - 1250 mm W1 = 300 - 1500 mm*	<b>801.35.4S*</b>	<b>801.35B4S*</b>	<b>801.35D4S*</b>

c to c	with <b>aluminum core</b> , steel reinforced end bends and <b>fixing roses made of synthetic material</b> , in 5 HEWI colours, 91 mm deep
A1 = 1100 mm W1 = 762 mm	<b>801.35.426</b> <b>New</b>

**When using with removable hanging seats, please note!**

Compatibility testing required. A detailed list of the possible combinations of support rails, L-shaped support rails and shower head rails with matching removable hanging seats can be found in our online catalogue in the download area of the respective product.

\*Note during installation: max. horizontal mounting distance 850 mm. Please advise A1 and W1 when ordering.

**801.35B...**

Functional area of shower head holder is glossy.

- 61979, 68563
- 950.33...E0190
- 10856, 68524, 62800
- 10862, 68552, 62737

- HEWI Shower hose holder** see right
- HEWI Shower head holder**
- HEWI Rose cap**
- HEWI Rose cap, divided**

**5 matt HEWI colours**



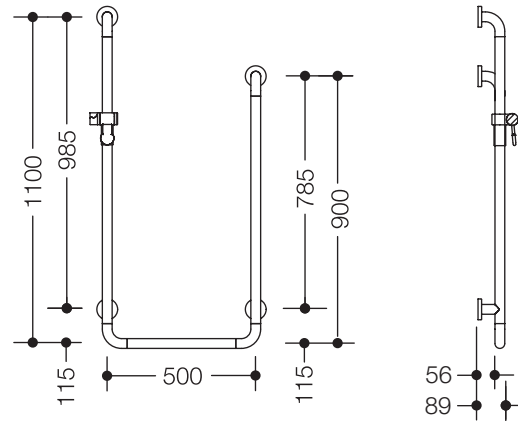
- 950.33.E03...
- 950.33.E05...

- HEWI Handspray** to be ordered separately page 702
- HEWI Shower hose** to be ordered separately page 703
- Fixing material BM211** included in delivery page 742

Item Number

Dimensions in mm / Specification

Range 477/801



801.35.500  
801.35B500

61979, 68563  
950.33...E0190  
10856, 10862, 68524, 68552

**HEWI Rail with vertical sup. bar, U-shaped**

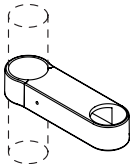
- shower head holder adjustable to required angle and height
- conical adapter on shower head holder facilitates accommodation of handspray
- with continuous, corrosion resistant steel core
- for wall mounting with fixing material from HEWI
- can be mounted in left hand or right hand position
- vertical lengths 1100 and 900 mm, horizontal length 500 mm
- 89 mm deep, rails  $\varnothing$  33 mm, roses  $\varnothing$  70 mm
- made of high-quality polyamide in 14 HEWI colours
- made of high-quality matt polyamide in 5 HEWI colours

**HEWI Shower hose holder** see below

**HEWI Shower head holder**

**HEWI Rose cap**

**Fixing material BM211** included in delivery page 742



61979  
68563

**HEWI Shower hose holder**

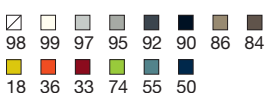
- for retrofitting on HEWI Shower holder rods and shower and bath handrails Range 477 and 801
- is used to hold the shower hose to the shower head holder
- 131 mm long, 38 mm wide, 25 mm high
- suitable for shower hoses to  $\varnothing$  29 mm
- made of high-quality polyamide in 14 HEWI colours
- made of high-quality matt polyamide in 5 HEWI colours

950.33.E03...  
950.33.E05...

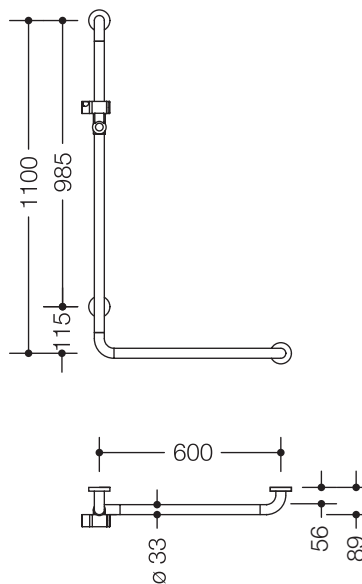
**HEWI Handspray** to be ordered separately page 702

**HEWI Shower hose** to be ordered separately page 703

**14 HEWI colours**



Detailed information about the spare parts can be found here:  
[www.hewi.com/en/spare-parts](http://www.hewi.com/en/spare-parts)



**HEWI L-shaped support rail with shower head holder  
incl. hand shower and shower hose**

consisting of:

**L-shaped support rail with shower head holder 801.33.210**

- vertical and horizontal bars joined to form an L-shape with **fixing roses made of steel** and shower head holder
- vertical length 1100 mm, horizontal length 600 mm
- 89 mm deep, clear distance to the wall 56 mm
- rails ø 33 mm, roses ø 70 mm
- shower head holder adjustable to required angle and height by pressing and pulling a large lever
- conical adapter on shower head holder facilitates accommodation of handspray
- with continuous, corrosion resistant **steel core**
- for wall mounting with special fixing material and roses from HEWI
- can be mounted in left hand or right hand position
- suitable for all HEWI removable hanging seats
- **made of high-quality polyamide in HEWI colour 99 (pure white)**
- fulfils the requirements acc. to ÖNORM B 1600/1601 and SIA 500 and

**1-jet hand shower 950.33.E031 with shower hose 950.33.E0...**

- made of synthetic material in colour white
- hand shower with soft-clean anti-calcium knobs
- jet type: Rain
- shower head ø 105 mm
- spray plate made of synthetic material in colour white
- knobs and ring made of light grey synthetic material
- flow rate at 3 bar: 14 l/min
- rinsable dirt filter
- connection thread G 1/2, connection size: DN 15
- kink-protected
- rotary cone protects against twisting of the shower hose
- metal rotary cone / metal knurled knob, chrome-plated
- hand shower tested according to KTW and W270
- shower hose tested according to EN 1113 and KTW

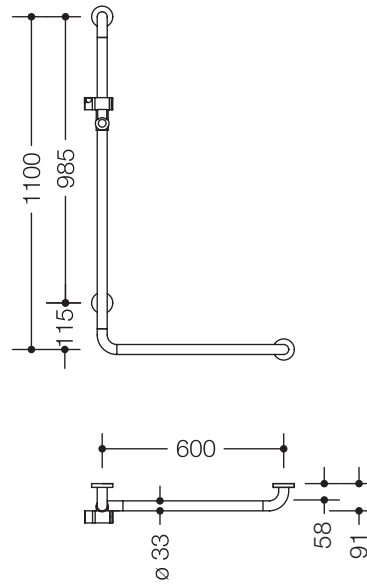
801.33.211  
801.33.212

- hose length 1600 mm (950.33.E054)
- hose length 2000 mm (950.33.E062)

950.33.E031  
950.33.E054  
950.33.E062

**HEWI Handspray** see page 702  
**HEWI Shower hose** see page 703  
**HEWI Shower hose** see page 703





**HEWI L-shaped support rail with shower head holder  
incl. hand shower and shower hose**

consisting of:

**L-shaped support rail with shower head holder 801.33.216**

- vertical and horizontal bars joined to form an L-shape with **fixing roses made of synthetic material** and shower head holder
- vertical length 1100 mm, horizontal length 600 mm
- 91 mm deep, clear distance to the wall 58 mm
- rails  $\varnothing$  33 mm, roses  $\varnothing$  70 mm
- shower head holder adjustable to required angle and height by pressing and pulling a large lever
- conical adapter on shower head holder facilitates accommodation of handspray
- with **aluminium-/steel core** and stainless steel reinforced end bends
- for wall mounting with special fixing material and roses from HEWI
- can be mounted in left hand or right hand position
- suitable for all HEWI removable hanging seats
- **made of high-quality polyamide in HEWI colour 99 (pure white)**
- fulfils the requirements acc. to ÖNORM B 1600/1601 and SIA 500 and

**1-jet hand shower 950.33.E031 with shower hose 950.33.E0...**

- made of synthetic material in colour white
- hand shower with soft-clean anti-calcium knobs
- jet type: Rain
- shower head  $\varnothing$  105 mm
- spray plate made of synthetic material in colour white
- knobs and ring made of light grey synthetic material
- flow rate at 3 bar: 14 l/min
- rinsable dirt filter
- connection thread G 1/2, connection size: DN 15
- kink-protected
- rotary cone protects against twisting of the shower hose
- metal rotary cone / metal knurled knob, chrome-plated
- hand shower tested according to KTW and W270
- shower hose tested according to EN 1113 and KTW

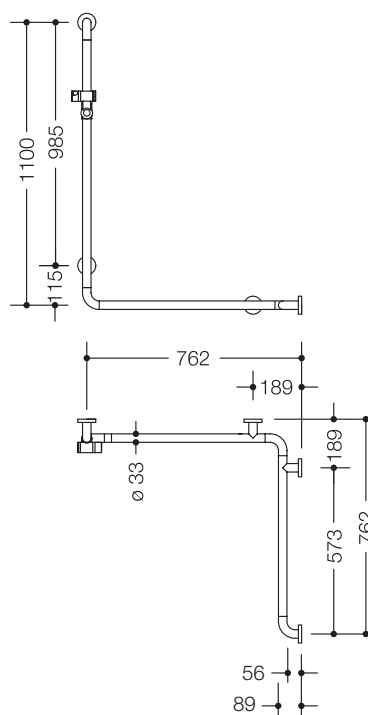
**801.33.217**  
**801.33.218**

- hose length 1600 mm (950.33.E054)
- hose length 2000 mm (950.33.E062)

**HEWI colours**

□  
99

Detailed information about the spare parts can be found here:  
[www.hewi.com/en/spare-parts](http://www.hewi.com/en/spare-parts)



**HEWI Rail with vertical support bar and shower head holder incl. hand shower and shower hose**

consisting of:

**Rail with vertical support bar and shower head holder 801.35.210**

- vertical and horizontal bars joined to form an L-shape with **fixing roses made of steel** and shower head holder
- vertical length 1100 mm, horizontal lengths 762 mm
- 89 mm deep, clear distance to the wall 56 mm
- rails  $\varnothing$  33 mm, roses  $\varnothing$  70 mm
- shower head holder adjustable to required angle and height by pressing and pulling a large lever
- conical adapter on shower head holder facilitates accommodation of handspray
- with continuous, corrosion resistant **steel core**
- for wall mounting with special fixing material and roses from HEWI
- can be mounted in left hand or right hand position
- suitable for all HEWI removable hanging seats, removable hanging seats 801.51...110 and 801.51...115 only on W1
- **made of high-quality polyamide in HEWI colour 99 (pure white)** and

**1-jet hand shower 950.33.E031 with shower hose 950.33.E0...**

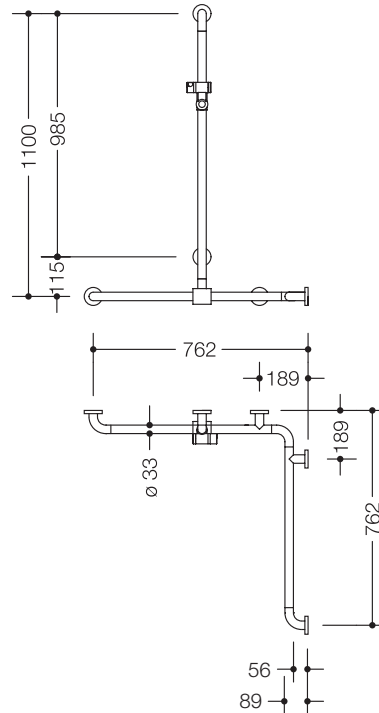
- made of synthetic material in colour white
- hand shower with soft-clean anti-calcium knobs
- jet type: Rain, shower head  $\varnothing$  105 mm
- spray plate made of synthetic material in colour white
- knobs and ring made of light grey synthetic material
- flow rate at 3 bar: 14 l/min
- rinsable dirt filter
- connection thread G 1/2, connection size: DN 15
- kink-protected, rotary cone protects against twisting of the shower hose
- metal rotary cone / metal knurled knob, chrome-plated
- hand shower tested according to KTW and W270
- shower hose tested according to EN 1113 and KTW

801.35.211  
801.35.212

- hose length 1600 mm (950.33.E054)
- hose length 2000 mm (950.33.E062)

950.33.E031  
950.33.E054  
950.33.E062

**HEWI Handspray** see page 702  
**HEWI Shower hose** see page 703  
**HEWI Shower hose** see page 703



**HEWI Rail with sideways adjustable vertical support bar and shower head holder incl. hand shower and shower hose**

consisting of:

**Rail with sideways adjustable vertical support bar and shower head holder 801.35.310**

- vertical and horizontal bars joined to form an L-shape with **fixing roses made of steel** and shower head holder
- with sideways adjustable vertical support bar (for installation) with shower head holder
- vertical length 1100 mm, horizontal lengths 762 mm
- 89 mm deep, clear distance to the wall 56 mm
- rails  $\varnothing 33$  mm, roses  $\varnothing 70$  mm
- shower head holder adjustable to required angle and height by pressing and pulling a large lever
- conical adapter on shower head holder facilitates accommodation of handspray
- with continuous, corrosion resistant **steel core**
- for wall mounting with special fixing material and roses from HEWI
- can be mounted in left hand or right hand position
- suitable for HEWI removable hanging seats 900.51..., 950.51..., 802.51... and 801.51...100 (only on W2)
- **made of high-quality polyamide in HEWI colour 99 (pure white)** and

**1-jet hand shower 950.33.E031 with shower hose 950.33.E0...**

- made of synthetic material in colour white
- hand shower with soft-clean anti-calcium knobs
- jet type: Rain, shower head  $\varnothing 105$  mm
- spray plate made of synthetic material in colour white
- knobs and ring made of light grey synthetic material
- flow rate at 3 bar: 14 l/min
- rinsable dirt filter
- connection thread G 1/2, connection size: DN 15
- kink-protected, rotary cone protects against twisting of the shower hose
- metal rotary cone / metal knurled knob, chrome-plated
- hand shower tested according to KTW and W270
- shower hose tested according to EN 1113 and KTW

**801.35.311**

**801.35.312**

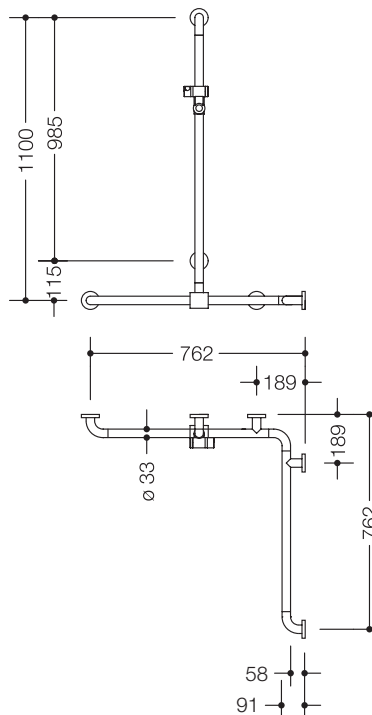
· hose length 1600 mm (950.33.E054)

· hose length 2000 mm (950.33.E062)

**HEWI colours**

□  
99

Detailed information about the spare parts can be found here:  
[www.hewi.com/en/spare-parts](http://www.hewi.com/en/spare-parts)



**HEWI Rail with sideways adjustable vertical support bar and shower head holder incl. hand shower and shower hose**

consisting of:

**Rail with sideways adjustable vertical support bar and shower head holder 801.35.316**

- vertical and horizontal bars joined to form an L-shape with **fixing roses made of synthetic material** and shower head holder
- with sideways adjustable vertical support bar (for installation) with shower head holder
- vertical length 1100 mm, horizontal lengths 762 mm
- 91 mm deep, clear distance to the wall 58 mm
- rails ø 33 mm, roses ø 70 mm
- shower head holder adjustable to required angle and height by pressing and pulling a large lever
- conical adapter on shower head holder facilitates accommodation of handspray
- with **aluminium-/steel core** and stainless steel reinforced end bends
- for wall mounting with special fixing material and roses from HEWI
- can be mounted in left hand or right hand position
- suitable for HEWI removable hanging seats 900.51....., 950.51..., 802.51... and 801.51...100 (only on W2)
- **made of high-quality polyamide in HEWI colour 99 (pure white)** and

**1-jet hand shower 950.33.E031 with shower hose 950.33.E0...**

- made of synthetic material in colour white
- hand shower with soft-clean anti-calcium knobs
- jet type: Rain, shower head ø 105 mm
- spray plate made of synthetic material in colour white
- knobs and ring made of light grey synthetic material
- flow rate at 3 bar: 14 l/min
- rinsable dirt filter
- connection thread G 1/2, connection size: DN 15
- kink-protected, rotary cone protects against twisting of the shower hose
- metal rotary cone / metal knurled knob, chrome-plated
- hand shower tested according to KTW and W270
- shower hose tested according to EN 1113 and KTW

**801.35.317**  
**801.35.318**

- hose length 1600 mm (950.33.E054)
- hose length 2000 mm (950.33.E062)

**HEWI colours**

□  
99

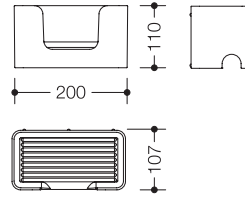
**950.33.E031**  
**950.33.E054**  
**950.33.E062**

**HEWI Handspray** see page 702  
**HEWI Shower hose** see page 703  
**HEWI Shower hose** see page 703

Item Number

Dimensions in mm / Specification

Range 477/801



802.03.200  
802.03B200

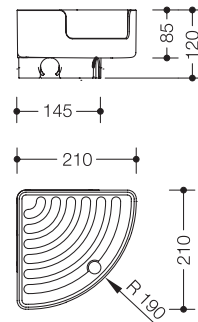
**HEWI Storage box**

- rectangular container with high sides and water run-off, opening to front
- anti-theft, non-slip storage surface
- for integration in the HEWI rail system  $\varnothing$  33 mm
- 200 mm wide, 110 mm high and 107 mm deep
- made of high-quality polyamide in 16 HEWI colours
- made of high-quality matt polyamide in 5 HEWI colours

⊕ 802.03D200

**HEWI active+ Storage box**

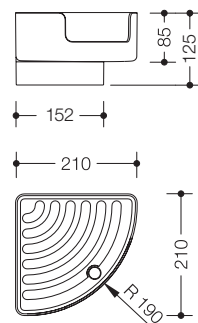
- in HEWI colour 98 (signal white), with active antimicrobial microsilver



802.03.210  
802.03B210

**HEWI Corner shelf**

- rectangular corner shelf with rounded front, high sides and water run-off, opening to front
- for integration in the HEWI rail system  $\varnothing$  33 mm
- base with drainage incline and non-slip design
- loading capacity 3 kg, side lengths 210 mm, 120 mm high
- made of high-quality polyamide in 16 HEWI colours
- made of high-quality matt polyamide in 5 HEWI colours



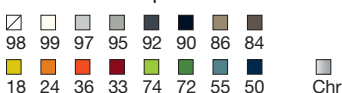
802.03.220  
802.03B220

**HEWI Corner shelf with with holder**

- do., 125 mm high
- for wall mounting, holder highly polished chrome
- made of high-quality polyamide in 16 HEWI colours
- made of high-quality matt polyamide in 5 HEWI colours

■ Holder

**16 HEWI colours | Surfaces**



**5 matt HEWI colours**



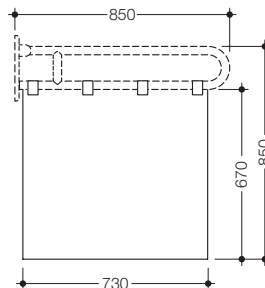
Detailed information about the spare parts can be found here:  
[www.hewi.com/en/spare-parts](http://www.hewi.com/en/spare-parts)

Item Number

Dimensions in mm / Specification



801.52.02030



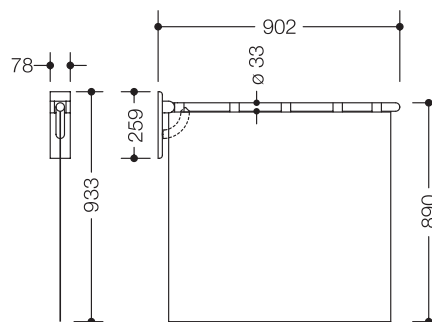
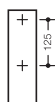
**HEWI active+ Shower spray guard curtain**

- curtain with hemmed sides, decor uni white
- made of 100 % Trevira CS, flame-resistant to DIN 4102/B1
- suitable for fixing onto hinged supports rails of Range 801/805 Classic
- washable at 40 °C and disinfected at 60 °C
- with st. steel tape rolled hem at bottom, top edge with Velcro fasteners
- shower proof, antistatic, special mould and mildew stain resistant finish, with antimicrobial finish based on silver
- 670 mm high and 730 mm wide, 850 mm projection

**HEWI Stationary support rails and hinged support rails** s. p. 121-135



Drill hole



**HEWI Shower spray guard light**

- can be folded upwards and, with friction device, downwards
- left and rightseitig verwendbar
- with continuous, corrosion resistant steel core
- wall mounting plate made of polyamide with integrated steel core
- covered, non-corrosive and tested HEWI fixing material for different wall constructions
- total height with curtain 890 mm
- incl. sealing tape for sealing the fixing points
- projection 902 mm, 78 mm wide, 259 mm high and  $\varnothing$  33 mm
- shower spray guard curtain (individually also see right side below)
  - seamed side edges, bottom edge with stainless steel roll seam
  - held in place on rail with Velcro fasteners
  - washable at 30 °C
  - 880 mm wide and 850 mm high
  - shower proof, made of 100 % polyester, decor uni white

801.52.20080

801.52B20080

39006, 68556

- made of high-quality polyamide in 14 HEWI colours
- made of high-quality matt polyamide in 5 HEWI colours

**HEWI Masking cap**

**Fixing material for shower spray guard to be ordered separately page 738**

for fixing on walls made of:

**BM17.2**

**BM10.2**

**BM11.2**

**BM12.2**

**BM13.2**

**BM18.2**

- concrete > C20/C25, national technical approval number: ETA-11/0493
- concrete > C20/C25
- autoclaved aerated concrete (> P2)
- lightweight walls with rear lining made of laminated timber boards ...
- lightweight walls with integrated steel plates ...
- hollow concrete block, vertically perforated bricks, solid bricks, ..., national technical approval number: ETA-13/1036

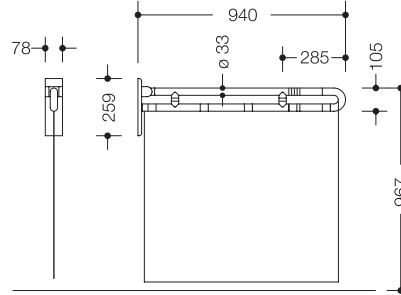
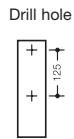
5 matt HEWI colours



Item Number

Dimensions in mm / Specification

Range 477/801



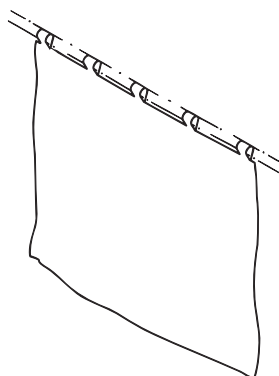
**HEWI Shower spray guard**

- can be folded upwards and, with friction device, downwards
- front section turns 45° to the left or the right
- with continuous, corrosion resistant steel core
- wall mounting plate made of polyamide with integrated steel core
- covered, non-corrosive and tested HEWI fixing material for different wall constructions
- projection 940 mm
- 78 mm wide, 259 mm high and ø 33 mm, mounting height 967 mm
- incl. sealing tape for sealing the fixing points
- shower spray guard curtain
  - seamed side edges, bottom edge with stainless steel roll seam
  - shower curtain held in place on lower rail with Velcro fasteners
  - washable at 40 °C and disinfectable at 60 °C, antistatic
  - microbial and bacterial resistant, shower proof
  - 880 mm wide and 850 mm high
  - curtain: made of Trevira CS with antimicrobial finish based on silver made of polyester, teflon-coated

- 801.52.10001**
- 801.52.10030**
- 801.52.10038**
- New 801.52.10039**
- New 801.52.10040**
- New 801.52.10041**

- 801.52B10001**
- 801.52B10030**
- 801.52B10038**
- New 801.52B10039**
- New 801.52B10040**
- New 801.52B10041**

- made of high-quality polyamide in 14 HEWI colours
- white/silver pattern, fire retardant to DIN 4102/B1, 100 % Trevira CS
- white pattern, fire retardant to DIN 4102/B1, 100 % Trevira CS
- squares umber/sand, fire retardant to DIN 4102/B1, 100 % Trevira CS
- pure wool white, made of 100 % polyester
- pure pebble grey, made of 100 % polyester
- pure grey green, made of 100 % polyester
- made of high-quality matt polyamide in 5 HEWI colours
- white/silver pattern, fire retardant to DIN 4102/B1, 100 % Trevira CS
- white pattern, fire retardant to DIN 4102/B1, 100 % Trevira CS
- squares umber/sand, fire retardant to DIN 4102/B1, 100 % Trevira CS
- pure wool white, made of 100 % polyester
- pure pebble grey, made of 100 % polyester
- pure grey green, made of 100 % polyester



- 801.52.01001**
- 801.52.01030**
- 801.52.01038**
- New 801.52.01039**
- New 801.52.01040**
- New 801.52.01041**

**801.52.01080**

**HEWI Shower spray guard curtain**

- for shower spray guard 801.52.100...
- seamed side edges and bottom edge with stainless steel roll seam
- top edge with Velcro fasteners
- washable at 40 °C and disinfectable at 60 °C, antistatic
- microbial and bacterial resistant, shower proof
- 880 mm wide and 850 mm high
- made of Trevira CS with antimicrobial finish based on silver made of polyester, teflon-coated

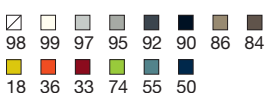
- white/silver pattern, fire retardant to DIN 4102/B1, 100 % Trevira CS
- white pattern, fire retardant to DIN 4102/B1, 100 % Trevira CS
- squares umber/sand, fire retardant to DIN 4102/B1, 100 % Trevira CS
- pure wool white, made of 100 % polyester
- pure pebble grey, made of 100 % polyester
- pure grey green, made of 100 % polyester

Special length available upon request.

**HEWI Shower spray guard curtain**

- for shower spray guard 801.52.20080
- seamed side edges and bottom edge with stainless steel roll seam
- top edge with Velcro fasteners, washable at 30 °C, shower proof
- 880 mm wide and 850 mm high, decor uni white, 100 % polyester

**14 HEWI colours**



**39006, 68556**

**HEWI Masking cap**

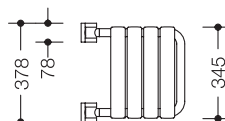
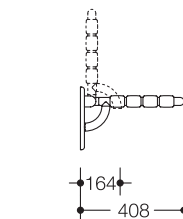
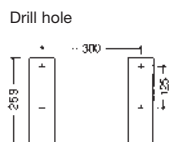
**Fixing material for shower spray guard** see bottom left

**Pattern HEWI curtain decor** see register Shower curtains

Detailed information about the spare parts can be found here:  
[www.hewi.com/en/spare-parts](http://www.hewi.com/en/spare-parts)

Item Number

Dimensions in mm / Specification



**HEWI Hinged seat**

- can be folded up
- inclination of seat adjustable
- with continuous, corrosion resistant steel core
- wall mounting plate made of polyamide with integrated steel core
- maximum loading capacity 150 kg
- covered, non-corrosive and tested HEWI fixing material for different wall constructions (to be ordered separately)
- seat 345 mm wide and 408 mm deep
- seat slats 55 mm wide

**801.51.200**  
**801.51B200**

- made of high-quality polyamide in 14 HEWI colours
- made of high-quality matt polyamide in 5 HEWI colours

⊕ **801.51D200**

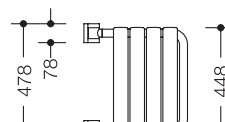
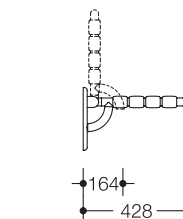
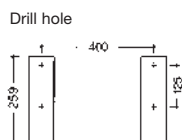
**HEWI active+ Hinged seat**

- in HEWI colour 98 (signal white), with active antimicrobial microsilver

**39006, 68556**  
⊕ **62853**

**HEWI Masking cap**

**HEWI active+ Masking cap**



**HEWI Hinged seat**

- can be folded up
- inclination of seat adjustable
- with continuous, corrosion resistant steel core
- wall mounting plate made of polyamide with integrated steel core
- maximum loading capacity 150 kg
- covered, non-corrosive and tested HEWI fixing material for different wall constructions (to be ordered separately)
- seat 448 mm wide and 428 mm deep
- seat slats 60 mm wide

**801.51.210**  
**801.51B210**

- made of high-quality polyamide in 14 HEWI colours
- made of high-quality matt polyamide in 5 HEWI colours

⊕ **801.51D210**

**HEWI active+ Hinged seat**

- in HEWI colour 98 (signal white), with active antimicrobial microsilver

**39006, 68556**  
⊕ **62853**

**HEWI Masking cap**

**HEWI active+ Masking cap**

5 matt HEWI colours



BM20.4 – BM28.4

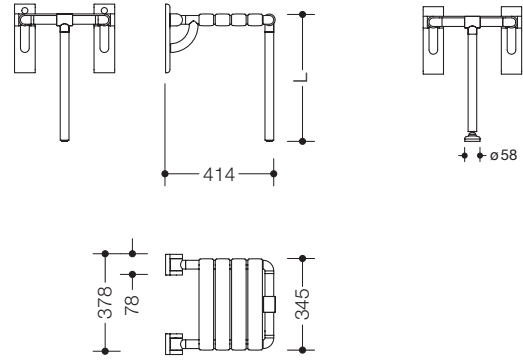
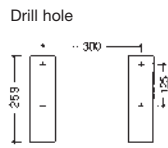
Fixing material for hinged seats to be ordered separately  
see page 739



Item Number

Dimensions in mm / Specification

Range 477/801



**HEWI Hinged seat**

- can be folded up
- inclination of seat adjustable
- with continuous, corrosion resistant steel core
- wall mounting plate made of polyamide with integrated steel core
- maximum loading capacity 150 kg
- covered, non-corrosive and tested HEWI fixing material for different wall constructions (to be ordered separately)
- seat 345 mm wide and 414 mm deep
- seat slats 55 mm wide
- floor support made-to-measure for seat heights to 672 mm

**801.51.202S**  
**801.51B202S**

- with floor support to absorb vertical forces
- made of high-quality polyamide in 14 HEWI colours
- made of high-quality matt polyamide in 5 HEWI colours

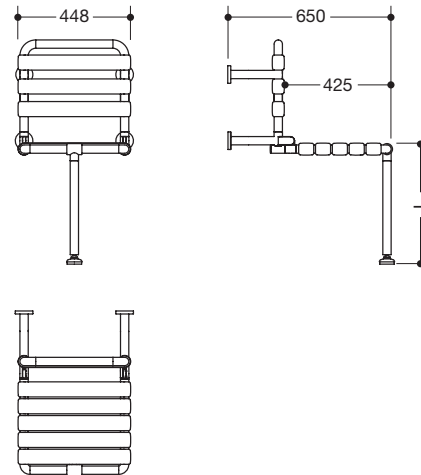
**801.51.203S**  
**801.51B203S**

- with floor support with wide floor buffer to protect soft floor coverings
- made of high-quality polyamide in 14 HEWI colours
- made of high-quality matt polyamide in 5 HEWI colours

Please specify dimension L when ordering.

**39006, 68556**

**HEWI Masking cap**



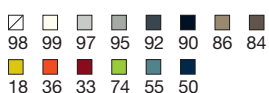
**801.51.216S**

**HEWI Hinged seat - especially for UK**

- do., wall mounting with roses and HEWI wall-specific fixing material, concealed fixing
- with space-saving fold-up seat
- fulfils the BS-Standard BS 8300:2009+A1:2010/Doc M requirements
- seat 448 mm wide and 425 mm deep
- made of high-quality polyamide in 14 HEWI colours

Please specify dimension L when ordering.

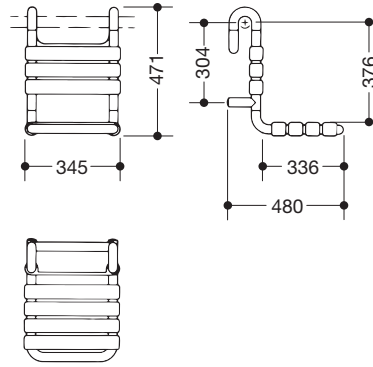
**14 HEWI colours**



Detailed information about the spare parts can be found here:  
[www.hewi.com/en/spare-parts](http://www.hewi.com/en/spare-parts)

Item Number

Dimensions in mm / Specification



**HEWI Removable hanging seat**

- for hanging from shower grab rails or support rails with rails  $\varnothing$  33 mm
- with continuous, corrosion resistant steel core
- seat maximum loading capacity 150 kg
- 345 mm wide, 471 mm high and 480 mm deep
- centre axis - top edge of seat: 376 mm
- seat 336 mm deep, seat slats 55 mm wide

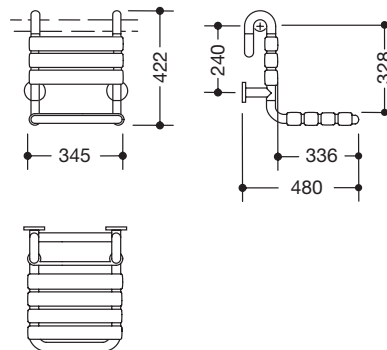
**801.51.100**  
**801.51B100**

- made of high-quality polyamide in 14 HEWI colours
- made of high-quality matt polyamide in 5 HEWI colours

⊕ **801.51D100**

**HEWI active+ Removable hanging seat**

- in HEWI colour 98 (signal white), with active antimicrobial microsilver



**HEWI Removable hanging seat – especially for France**

- for hanging from shower grab rails or support rails with rails  $\varnothing$  33 mm
- with continuous, corrosion resistant steel core
- seat maximum loading capacity 150 kg
- 345 mm wide, 422 mm high and 480 mm deep
- centre axis - top edge of seat: 328 mm
- seat 336 mm deep, seat slats 55 mm wide
- with large roses to avoid pressure points on the wall

**801.51FR101**  
**801.51BFR101**

- made of high-quality polyamide in 14 HEWI colours
- made of high-quality matt polyamide in 5 HEWI colours

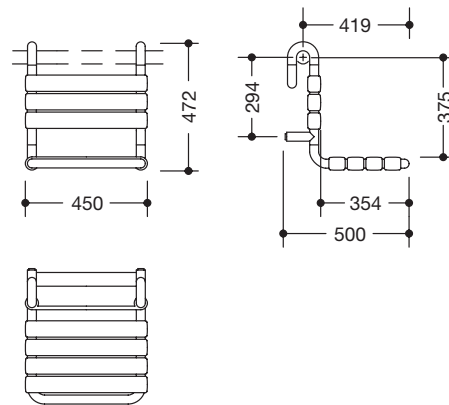
**5 matt HEWI colours**



Item Number

Dimensions in mm / Specification

Range 477/801



801.51.110  
801.51B110

⊕ 801.51D110

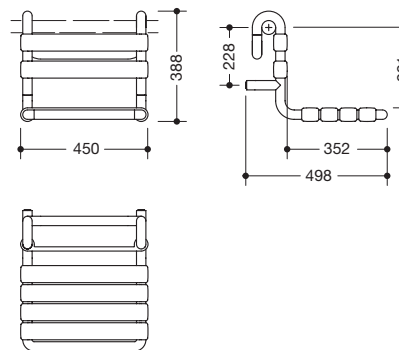
**HEWI Removable hanging seat**

- for hanging from shower grab rails or support rails with rails  $\varnothing$  33 mm
- with continuous, corrosion resistant steel core
- 450 mm wide, 472 mm high and 500 mm deep
- centre axis - top edge of seat: 375 mm, max. loading capacity 150 kg
- seat 354 mm deep, seat slats 60 mm wide

- made of high-quality polyamide in 14 HEWI colours
- made of high-quality matt polyamide in 5 HEWI colours

**HEWI active+ Removable hanging seat**

- in HEWI colour 98 (signal white), with active antimicrobial microsilver



801.51CH110  
801.51BCH110

⊕ 801.51DCH110

**HEWI Removable hanging seat – especially for Switzerland**

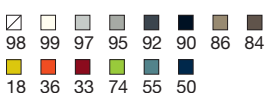
- for hanging from shower grab rails or support rails with rails  $\varnothing$  33 mm
- with continuous, corrosion resistant steel core
- 450 mm wide, 388 mm high, 498 mm deep
- centre axis - top edge of seat: 291 mm, max. loading capacity 150 kg
- seat 352 mm deep, seat slats 60 mm wide
- fulfils the SIA 500 requirements

- made of high-quality polyamide in 14 HEWI colours
- made of high-quality matt polyamide in 5 HEWI colours

**HEWI active+ Removable hanging seat – especially for Switzerland**

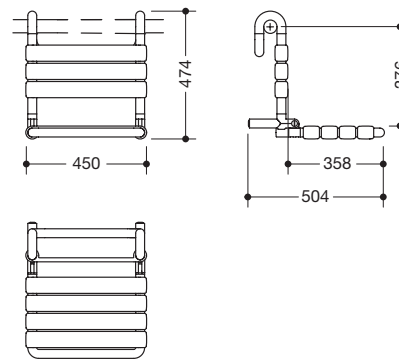
- in HEWI colour 98 (signal white), with active antimicrobial microsilver

14 HEWI colours



Item Number

Dimensions in mm / Specification



801.51.115  
801.51B115

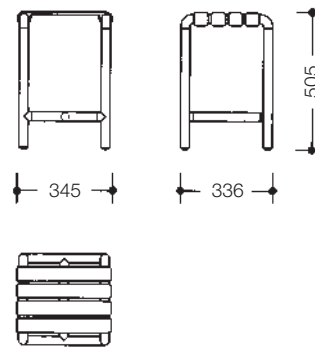
+ 801.51D115

**HEWI Removable hanging seat, hinged**

- for hanging from shower grab rails or support rails with rails  $\varnothing$  33 mm
- with continuous, corrosion resistant steel core
- with space-saving fold-up seat
- 450 mm wide, 474 mm high, 504 mm deep
- centre axis - top edge of seat: 376 mm, max. loading capacity 150 kg
- seat 358 mm deep, seat slats 60 mm wide
- made of high-quality polyamide in 14 HEWI colours
- made of high-quality matt polyamide in 5 HEWI colours

**HEWI active+ Removable hanging seat**

- in HEWI colour 98 (signal white), with active antimicrobial microsilver



801.51.300  
801.51B300

+ 801.51D300

**HEWI Shower stool**

- with continuous, corrosion resistant steel core
- seat maximum loading capacity 150 kg
- 345 mm wide, 505 mm high and 336 mm deep, seat slats 55 mm wide
- weight 7,8 kg

- made of high-quality polyamide in 14 HEWI colours
- made of high-quality matt polyamide in 5 HEWI colours

**HEWI active+ Shower stool**

- in HEWI colour 98 (signal white), with active antimicrobial microsilver

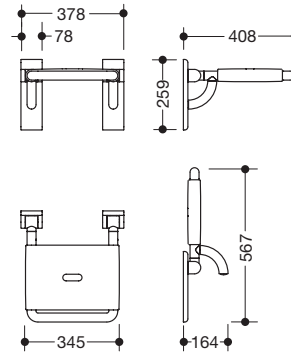
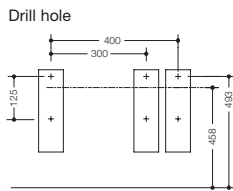
5 matt HEWI colours



Item Number

Dimensions in mm / Specification

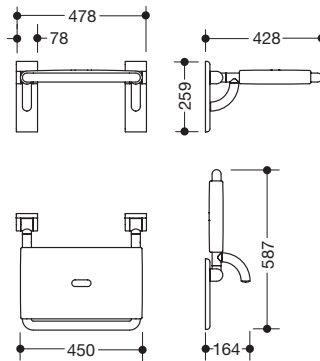
Range 477/801



801.51.207

**HEWI Hinged seat**

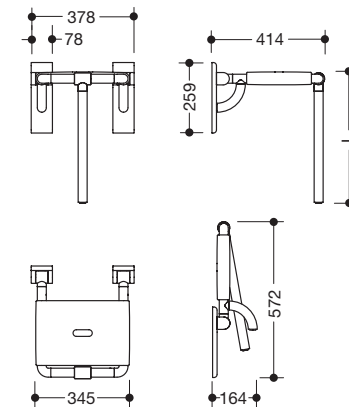
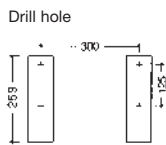
- with space-saving fold-up seat
- with corrosion resistant steel core
- maximum loading capacity 150 kg
- covered, non-corrosive and tested HEWI fixing material for different wall constructions (to be ordered separately)
- 378 mm wide, 408 mm deep, seat 345 mm wide
- made of high-quality polyamide in 14 HEWI colours
- wall plates made of polyamide with integrated steel core



801.51.217

**HEWI Hinged seat**

- do., seat 450 mm wide and 428 mm deep



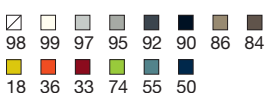
801.51.207S

**HEWI Hinged seat with floor support**

- do., with floor support to absorb vertical forces
- floor support made-to-measure for seat heights to 672 mm

Please specify dimension L when ordering.

**14 HEWI colours**



BM20.4 – BM28.4

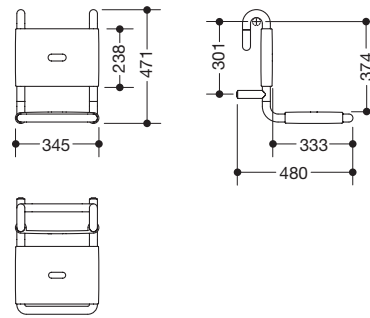
**Fixing material for hinged seats** to be ordered separately see page 739

Item Number

Dimensions in mm / Specification



801.51.106

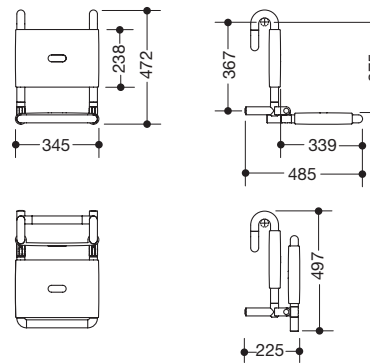


**HEWI Removable hanging seat**

- for hooking into shower handrails and grab bars ø 30, 32 and 33 mm
- with corrosion resistant steel core
- maximum loading capacity 150 kg
- 345 mm wide, 471 mm high and 480 mm deep
- centre axis - top edge of seat: 376 mm
- seat 345 mm wide, 333 mm deep
- made of high-quality polyamide in 14 HEWI colours



801.51.107



**HEWI Removable hanging seat, hinged**

- for hooking into shower handrails and grab bars ø 30, 32 and 33 mm
- with corrosion resistant steel core
- maximum loading capacity 150 kg
- with space-saving fold-up seat
- 345 mm wide, 472 mm high, 485 mm deep
- seat 345 mm wide, 339 mm deep
- made of high-quality polyamide in 14 HEWI colours

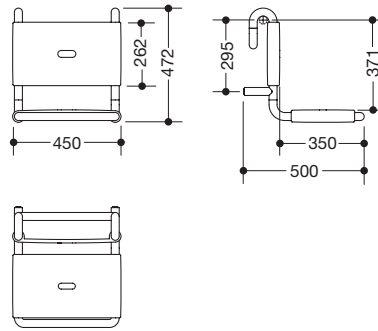
Item Number

Dimensions in mm / Specification

Range 477/801



801.51.116

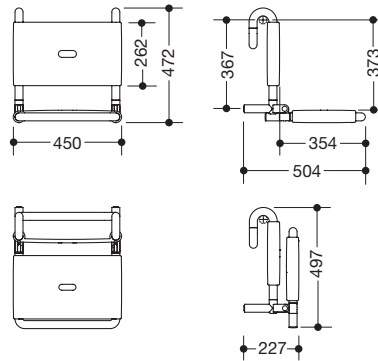


**HEWI Removable hanging seat**

- for hooking into shower handrails and grab bars  $\varnothing$  30, 32 and 33 mm
- with corrosion resistant steel core
- maximum loading capacity 150 kg
- 450 mm wide, 472 mm high and 500 mm deep
- seat 450 mm wide, 350 mm deep
- made of high-quality polyamide in 14 HEWI colours



801.51.117

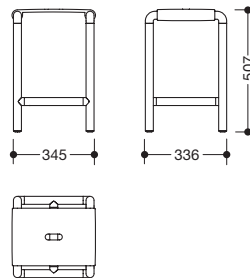


**HEWI Removable hanging seat, hinged**

- for hooking into shower handrails and grab bars  $\varnothing$  30, 32 and 33 mm
- with corrosion resistant steel core
- maximum loading capacity 150 kg
- with space-saving fold-up seat
- 450 mm wide, 472 mm high, 504 mm deep
- seat 450 mm wide, 354 mm deep
- made of high-quality polyamide in 14 HEWI colours



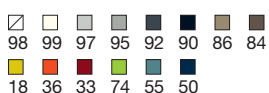
801.51.306



**HEWI Shower stool**

- with continuous, corrosion resistant steel core
- maximum loading capacity 150 kg
- 345 mm wide, 507 mm high, 336 mm deep
- for mobile use
- made of high-quality polyamide in 14 HEWI colours

**14 HEWI colours**



## System 900 Q

### PRODUCT CHARACTERISTICS

- The design variant S 900 Q convinces with square forms and defined radii
- Puristic design combined with high functionality
- Variety of materials and surfaces allows freedom of design
- Hygienic surfaces
- Durable quality

### RECOMMENDED APPLICATION AREAS

Public, Home, Hotel





# System 900 Q

## DESIGN

HEWI, Bad Arolsen

## MATERIAL AND SURFACES

Stainless steel satin finished, high-quality chrome-plated or powder-coated in 3 colours with inserts made of satin crystal glass.

## ACCESSORIES

Product range Public	174
Product range Home, Hotel	176
Basin area	178 – 182
Toilet area	183 – 186
Shower and bath area	187

## ACCESSIBILITY

Matching products	175, 177
-------------------	----------



ACCESSORIES



**Soap dispenser**  
 900.06.004... page 202  
 900.06.00... HEWI SENSORIC page 202



**Paper towel dispenser**  
 900.06.009... page 207



**Waste paper bin | with lid**  
 900.05.001... | 900.05.002.. page 208  
 900.05.003.. | 900.05.004.. page 209



**Disinfectant dispenser column**  
 900.06.014... page 206



**New**  
**Shelf with glass panel**  
 900Q03.007... | 600 mm page 182  
     Holder  
 Shelf plate



**New**  
**Towel rail**  
 900Q09.000... page 182



**New**  
**Towel rail | Bath towel rail**  
 900Q30.000... | 250 mm p. 182, 187  
 900Q30.001... | 600 mm page 187  
 900Q30.002... | 800 mm page 187



**New**  
**Single hook | Double hook**  
 900Q90.000... page 180  
 900Q90.001XA page 181  
     Single hook  
 Double hook



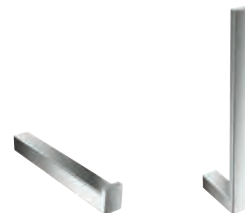
**New**  
**Toilet roll holder**  
 900Q21.000... page 184



**New**  
**Toilet roll holder with lid**  
 900Q21.001... page 184



**New**  
**Toilet roll holder with shelf**  
 900Q21.002... page 184



**New**  
**Spare roll holder**  
 900Q21.003... page 185  
 900Q21.004... page 185



**New**  
**Toilet brush unit**  
 900Q20.001... page 186



**New**  
**Toilet brush unit with lid**  
 900Q20.002... page 186



**Hygiene bag dispenser**  
 900.06.011... page 216



**Hygiene waste bin | combination**  
 900.05.005... page 217  
 900.05.006... page 217

- ...60 DX powder-coated matt white (RAL 9003)
- ...60 SC powder-coated matt dark grey pearl mica
- ...60 DC powder-coated matt black (RAL 9005)

**MATCHING PRODUCTS**

System 900 Q can be supplemented with the following products.

System 900 Q



**Hinged support rail Mono, Design A**  
900.50.1... | 600 mm page 230  
900.50.4... | mobil page 236



**Hinged support rail Duo, Design A**  
900.50... from page 230  
900.50.4... | mobil from page 236



**Support rail**  
900.36.0... from page 250



**L-shaped support rail | with toilet roll holder**  
900.22.3... from page 252



**L-shaped support rail | with toilet roll holder**  
900.22.1... from page 254



**Support grab rail**  
900.35.1... from page 258



**Rail with shower head holder**  
900.33.0... from page 260



**L-shaped support rail with shower head holder**  
900.33.2... from page 262



**Shower curtain rail**  
900.34.400... from page 224



**Hinged seat**  
950.51.20... page 526  
950.51.40... | mobil page 526



**Shower stool | Bath chair**  
950.51.3... from page 520



**Universal products** from page 691



**Fittings** from page 569



**Washbasins** from page 589



**Mirrors** from page 641



**Universal products** from page 691

ACCESSORIES



**New**  
**Glass tumbler with holder**  
 900Q04.000.. page 179

- Holder
- Tumbler



**New**  
**Soap dispenser with holder**  
 900Q06.000.. page 179

- Holder
- Soap dispenser



**New**  
**Shelf with soap dispenser**  
 900Q03.002... | 200 mm page 180

- Shelf
- Soap dispenser



**New**  
**Shelf**  
 900Q03.000... | 200 mm page 180

- 



**New**  
**Shelf with glass panel**  
 900Q03.007... | 600 mm page 182

- Holder
- Shelf plate



**New**  
**Single hook**  
 900Q90.000... page 180

- 



**New**  
**Double hook**  
 900Q90.002... page 181

- 



**New**  
**Hook strip**  
 900Q90.003... page 181

- 



**New**  
**Towel rail**  
 900Q09.000... page 182

- 



**New**  
**Towel rail | Bath towel rail**  
 900Q30.000... | 250 mm p. 182, 187  
 900Q30.001... | 600 mm page 187  
 900Q30.002... | 800 mm page 187

- 



**New**  
**Spare roll holder, single**  
 900Q21.003... page 185

- 



**New**  
**Spare roll holder, double**  
 900Q21.004... page 185

- 



**New**  
**Toilet roll holder**  
 900Q21.000... page 184

- 



**New**  
**Toilet roll holder with lid**  
 900Q21.001... page 184

- 



**New**  
**Toilet roll holder with shelf**  
 900Q21.002... page 184

- 



**New**  
**Toilet brush unit**  
 900Q20.000... page 185

- Holder
- Brush container

- ...60 DX powder-coated matt white (RAL 9003)
- ...60 SC powder-coated matt dark grey pearl mica
- ...60 DC powder-coated matt black (RAL 9005)

**MATCHING PRODUCTS**

System 900 Q can be supplemented with the following products.



**Hinged support rail Mono, Design A**  
900.50.1... | 600 mm page 230  
900.50.4... | mobil page 236



**Hinged support rail Duo, Design A**  
900.50... from page 230  
900.50.4... | mobil from page 236



**Support rail**  
900.36.0... from page 250



**L-shaped support rail | with toilet roll holder**  
900.22.3... from page 252



**Rail with shower head holder**  
900.33M0... page 261



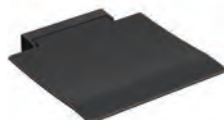
**L-shaped support rail with shower head holder**  
900.33M2... page 263



**Support grab rail**  
900.35.1... from page 258



**Shower basket**  
900.03.001... page 220



**Hinged seat**  
950.51.21... page 527  
950.51.41... | mobil page 527



**Shower stool | Bath chair**  
950.51.3... from page 520



**Universal products** from page 691



**Universal products** from page 691



**Fittings** from page 569



**Washbasins** from page 589



**Mirrors** from page 641



**Dispenser products** from page 202

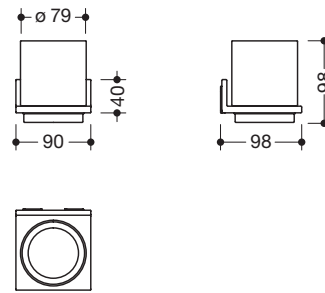
# System 900 Q Accessories



Item Number

Dimensions in mm / Specification

System 900 Q



**HEWI Glass tumbler with holder**

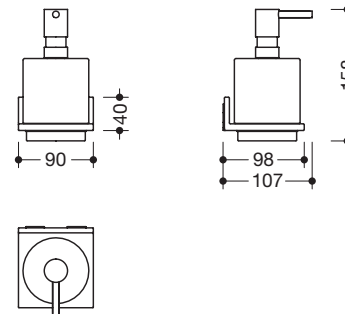
- holder made of metal
- with protective film on the inside for a secure, defined position and to protect the insert from damage
- 90 mm wide, 98 mm high, 98 mm deep
- cylindrical tumbler made of high-quality, satin crystal glass
- for wall mounting, concealed fixing
- including non-corrosive HEWI fixing material
- holder high-quality chrome-plated
- holder powder-coated in HEWI colours DX (matt white), SC (matt dark grey pearl mica) and DC (matt black)

**New** 900Q04.00040  
**New** 900Q04.00060

- ■ ■ ■ Holder
- Tumbler

100.04.E01

**HEWI Glass tumbler**



**HEWI Soap or disinfectant dispenser with holder**

- to be filled with standard liquid soap, disinfectants and gels
- holder made of metal
- with protective film on the inside for a secure, defined position and to protect the insert from damage
- 90 mm wide, 158 mm high, 98 mm deep
- soap dispenser made of high-quality, satin crystal glass
- capacity ca. 250 ml
- for wall mounting, concealed fixing
- including non-corrosive HEWI fixing material
- holder and pump head high-quality chrome-plated
- holder powder-coated in HEWI colours DX (matt white) with pump head in matt white or DC (matt black) and SC (matt dark grey pearl mica) with pump head in matt black

**New** 900Q06.00040  
**New** 900Q06.00060

- ■ ■ ■ Holder
- ■ ■ Pump head
- Soap dispenser

100.06.E01  
100.03.E02  
950.06.E02  
950.06.E05

**HEWI Glass container**

- HEWI Pump head, chrome**
- HEWI Pump head, matt black**
- HEWI Pump head, matt white**

**HEWI Surfaces**

- □ □ ... **DX** matt white
- Chr Glass ■ ... **SC** matt dark grey pearl mica
- ... **DC** matt black

Detailed information about the spare parts can be found here:  
[www.hewi.com/en/spare-parts](http://www.hewi.com/en/spare-parts)

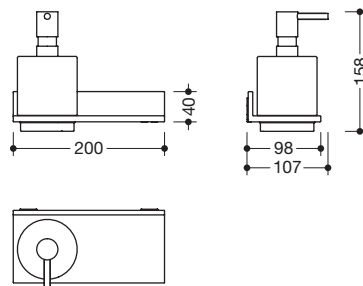
Item Number

Dimensions in mm / Specification



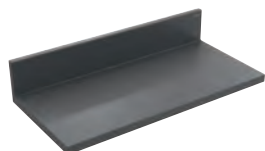
- ■ ■ ■ Shelf
- ■ ■ Pump head
- Soap dispenser

**New** 900Q03.00240  
**New** 900Q03.00260



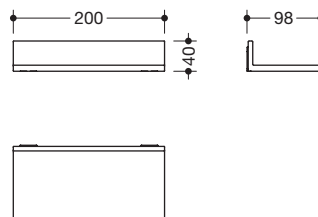
**HEWI Shelf with soap or disinfectant dispenser**

- to be filled with standard liquid soap, disinfectants and gels
- with protective insert made of synthetic material for a secure, defined position and to protect the insert from damage
- 200 mm wide, 158 mm high, 98 mm deep
- soap dispenser made of high-quality, satin crystal glass
- capacity ca. 250 ml
- for wall mounting, concealed fixing
- including non-corrosive HEWI fixing material
- shelf and pump head high-quality chrome-plated
- shelf powder-coated in HEWI colours DX (matt white) with pump head in matt white or DC (matt black) and SC (matt dark grey pearl mica) with pump head in matt black



- ■ ■ ■ Shelf

**New** 900Q03.00040  
**New** 900Q03.00060



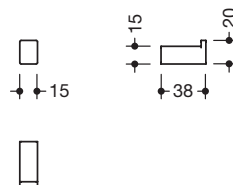
**HEWI Shelf**

- made of metal
- 200 mm wide, 40 mm high, 98 mm deep
- for wall mounting, concealed fixing
- including non-corrosive HEWI fixing material
- high-quality chrome-plated
- powder-coated in HEWI colours DX (matt white), SC (matt dark grey pearl mica) and DC (matt black)



- ■ ■ ■ Shelf

**New** 900Q90.000XA  
**New** 900Q90.00040  
**New** 900Q90.00060



**HEWI Single hook**

- made of high-quality stainless steel
- 15 mm wide, 20 mm high and 38 mm deep
- for wall mounting, concealed fixing
- including non-corrosive HEWI fixing material
- satin finished
- high-quality chrome-plated
- powder-coated in HEWI colours DX (matt white), SC (matt dark grey pearl mica) and DC (matt black)

100.06.E01  
 100.03.E02  
 950.06.E02  
 950.06.E05

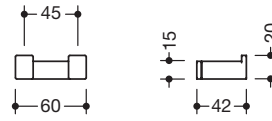
**HEWI Glass container**  
**HEWI Pump head, chrome**  
**HEWI Pump head, matt black**  
**HEWI Pump head, matt white**



Item Number

Dimensions in mm / Specification

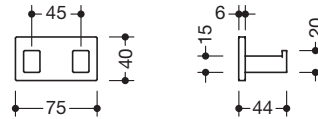
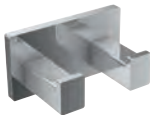
System 900 Q



**New** 900Q90.001XA

**HEWI Double hook**

- made of high-quality stainless steel, satin finished
- 60 mm wide, 20 mm high and 42 mm deep
- for wall mounting, concealed fixing
- including non-corrosive HEWI fixing material



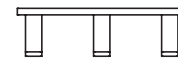
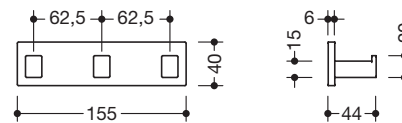
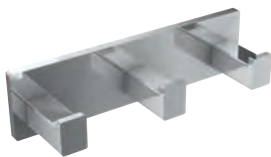
**New** 900Q90.00240  
**New** 900Q90.00260

**HEWI Double hook**

- made of high-quality stainless steel
- 75 mm wide, 40 mm high, 44 mm deep
- for wall mounting, concealed fixing
- including non-corrosive HEWI fixing material



- high-quality chrome-plated
- powder-coated in HEWI colours DX (matt white), SC (matt dark grey pearl mica) and DC (matt black)



**New** 900Q90.00340  
**New** 900Q90.00360

**HEWI Hook strip**

- with 3 hooks
- made of high-quality stainless steel
- 155 mm wide, 40 mm high, 44 mm deep
- for wall mounting, concealed fixing
- including non-corrosive HEWI fixing material



- high-quality chrome-plated
- powder-coated in HEWI colours DX (matt white), SC (matt dark grey pearl mica) and DC (matt black)

**HEWI Surfaces**

- ☒ ... DX matt white
- ☐ XA Chr Glass
- ... SC matt dark grey pearl mica
- ... DC matt black

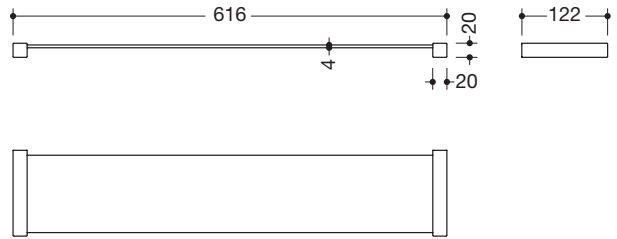
Detailed information about the spare parts can be found here:  
[www.hewi.com/en/spare-parts](http://www.hewi.com/en/spare-parts)

Item Number

Dimensions in mm / Specification



- New** 900Q03.007XA
- New** 900Q03.00740
- New** 900Q03.00760

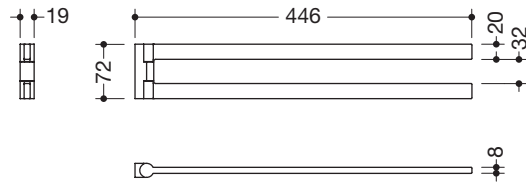


**HEWI Shelf with glass panel**

- shelf comprising side holder elements and a glass panel
- shelf panel made of ESG glass (4 mm), satin-finish on underside
- 616 mm wide, 20 mm high, 122 mm deep
- for wall mounting, concealed fixing
- including non-corrosive HEWI fixing material
- satin finished
- high-quality chrome-plated
- powder-coated in HEWI colours DX (matt white), SC (matt dark grey pearl mica) and DC (matt black)



- New** 900Q09.000XA
- New** 900Q09.00040
- New** 900Q09.00060

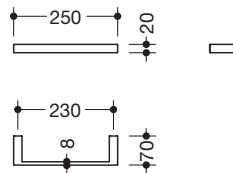


**HEWI Towel rail**

- the arms can be swivelled 180° independently of each other
- made of high-quality stainless steel
- 446 mm long, 72 mm high and 19 mm wide
- for wall mounting, concealed fixing
- including non-corrosive HEWI fixing material
- satin finished
- high-quality chrome-plated
- powder-coated in HEWI colours DX (matt white), SC (matt dark grey pearl mica) and DC (matt black)



- New** 900Q30.000XA
- New** 900Q30.00040
- New** 900Q30.00060



**HEWI Towel rail**

- made of high-quality stainless steel
- 250 mm wide, 20 mm high and 70 mm deep, c to c 230 mm
- for wall mounting, concealed fixing
- including non-corrosive HEWI fixing material
- satin finished
- high-quality chrome-plated
- powder-coated in HEWI colours DX (matt white), SC (matt dark grey pearl mica) and DC (matt black)

**HEWI Surfaces**

- ☑ ... DX matt white
- XA Chr Glass ... SC matt dark grey pearl mica
- ... DC matt black

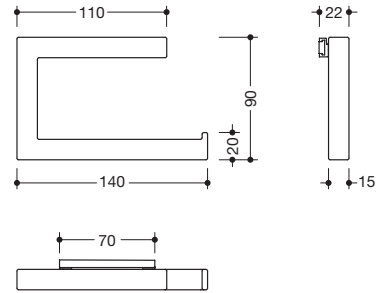


Item Number

Dimensions in mm / Specification



- New** 900Q21.000XA
- New** 900Q21.00040
- New** 900Q21.00060

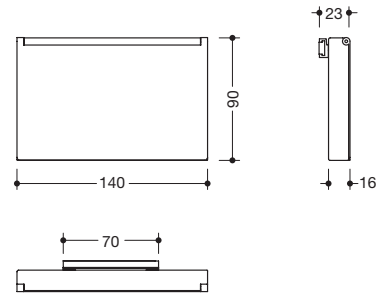


**HEWI Toilet roll holder**

- hinged, made of stainless steel, for toilet rolls of up to 120 mm in width
- 140 mm wide, 90 mm high and 22 mm deep
- for wall mounting, concealed fixing
- including non-corrosive HEWI fixing material
- satin finished
- high-quality chrome-plated
- powder-coated in HEWI colours DX (matt white), SC (matt dark grey pearl mica) and DC (matt black)



- New** 900Q21.001XA
- New** 900Q21.00140
- New** 900Q21.00160

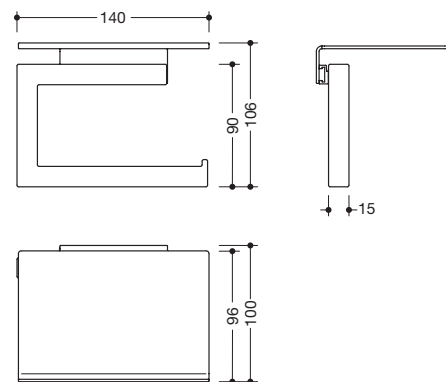


**HEWI Toilet roll holder with lid**

- do., 140 mm wide, 90 mm high and 23 mm deep
- satin finished
- high-quality chrome-plated
- powder-coated in HEWI colours DX (matt white), SC (matt dark grey pearl mica) and DC (matt black)



- New** 900Q21.002XA
- New** 900Q21.00240
- New** 900Q21.00260



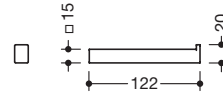
**HEWI Toilet roll holder with shelf**

- do., 140 mm wide, 106 mm high and 100 mm deep
- satin finished
- high-quality chrome-plated
- powder-coated in HEWI colours DX (matt white), SC (matt dark grey pearl mica) and DC (matt black)

Detailed information about the spare parts can be found here:  
[www.hewi.com/en/spare-parts](http://www.hewi.com/en/spare-parts)

Item Number

Dimensions in mm / Specification



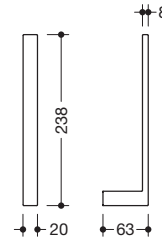
**HEWI Spare roll holder**

- made of stainless steel, 15 mm wide, 20 mm high and 122 mm deep
- for wall mounting, concealed fixing
- including non-corrosive HEWI fixing material
- satin finished
- high-quality chrome-plated
- powder-coated in HEWI colours DX (matt white), SC (matt dark grey pearl mica) and DC (matt black)

- New** 900Q21.003XA
- New** 900Q21.00340
- New** 900Q21.00360



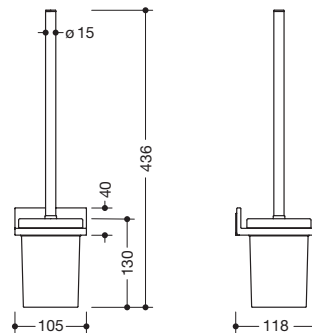
System 900 Q



**HEWI Spare roll holder, double**

- made of stainless steel, 20 mm wide, 238 mm high and 63 mm deep
- for wall mounting, concealed fixing
- including non-corrosive HEWI fixing material
- satin finished
- high-quality chrome-plated
- powder-coated in HEWI colours DX (matt white), SC (matt dark grey pearl mica) and DC (matt black)

- New** 900Q21.004XA
- New** 900Q21.00440
- New** 900Q21.00460



**HEWI Toilet brush unit**

- holder made of metal, with protective insert made of synthetic material for a secure, defined position and to protect the insert from damage
- brush container made of high-quality, satin crystal glass, can be removed for cleaning
- brush head can be replaced due to bayonet fixing
- 105 mm wide, 436 mm high and 118 mm deep
- for wall mounting, concealed fixing
- including non-corrosive HEWI fixing material
- holder and brush handle high-quality chrome-plated
- holder and brush handle powder-coated in HEWI colours DX (matt white), SC (matt dark grey pearl mica) and DC (matt black)

- New** 900Q20.00040
- New** 900Q20.00060

- Holder, brush handle
- Brush container

**HEWI Surfaces**

- DX matt white
- XA Chr Glass
- SC matt dark grey pearl mica
- DC matt black

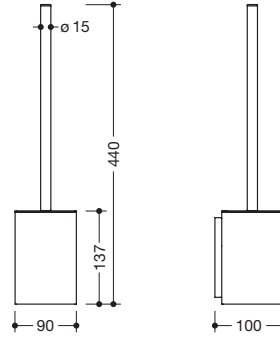
- 63500
- 100.20.01040
- 900.20.01060
- 921050
- 921051
- 921052

**HEWI Brush container**

- HEWI Toilet brush, chrome-plated**
- HEWI Toilet brush, powder-coated**
- HEWI Brush head, packing unit 1**
- HEWI Brush head, packing unit 5**
- HEWI Brush head, packing unit 25**

Item Number

Dimensions in mm / Specification



**HEWI Toilet brush unit**

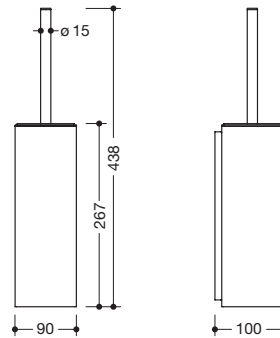
- holder made of high-quality stainless steel
- insert made of matt black synthetic material, can be removed for cleaning
- brush head can be replaced due to bayonet fixing
- 90 mm wide, 440 mm high and 100 mm deep
- for wall mounting, concealed fixing
- including non-corrosive HEWI fixing material
- holder and brush handle satin finished
- holder and brush handle powder-coated in HEWI colours DX (matt white), SC (matt dark grey pearl mica) and DC (matt black)

**New** 900Q20.001XA  
**New** 900Q20.00160

900Q20.E001  
 805.20.020  
 900.20.01060



**HEWI Insert toilet brush unit**  
**HEWI Toilet brush, satin finished**  
**HEWI Toilet brush, powder-coated**



**HEWI Toilet brush unit with lid**

- holder made of high-quality stainless steel
- insert made of matt black synthetic material, can be removed for cleaning
- brush head can be replaced due to bayonet fixing
- 90 mm wide, 438 mm high and 100 mm deep
- for wall mounting, concealed fixing
- including non-corrosive HEWI fixing material
- holder and brush handle satin finished
- holder and brush handle powder-coated in HEWI colours DX (matt white), SC (matt dark grey pearl mica) and DC (matt black)

**New** 900Q20.002XA  
**New** 900Q20.00260

900Q20.E002  
 900.20.020XA  
 900.20.02060



**HEWI Insert toilet brush unit with lid**  
**HEWI Toilet brush with lid, satin finished**  
**HEWI Toilet brush with lid, powder-coated**

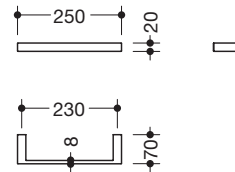
921050  
 921051  
 921052

**HEWI Brush head, packing unit 1**  
**HEWI Brush head, packing unit 5**  
**HEWI Brush head, packing unit 25**

Item Number

Dimensions in mm / Specification

System 900 Q

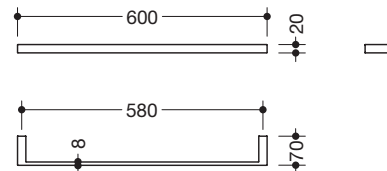


**HEWI Towel rail**

- made of high-quality stainless steel
- 250 mm wide, 20 mm high and 70 mm deep, c to c 230 mm
- for wall mounting, concealed fixing
- including non-corrosive HEWI fixing material

- New** 900Q30.000XA
- New** 900Q30.00040
- New** 900Q30.00060

- satin finished
- high-quality chrome-plated
- powder-coated in HEWI colours DX (matt white), SC (matt dark grey pearl mica) and DC (matt black)

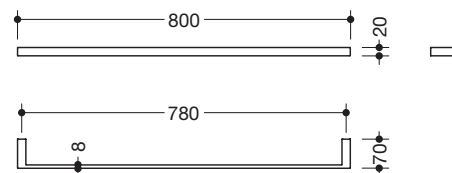


**HEWI Bath towel rail**

- made of high-quality stainless steel
- 600 mm wide, 20 mm high and 70 mm deep, c to c 580 mm
- for wall mounting, concealed fixing
- including non-corrosive HEWI fixing material

- New** 900Q30.001XA
- New** 900Q30.00140
- New** 900Q30.00160

- satin finished
- high-quality chrome-plated
- powder-coated in HEWI colours DX (matt white), SC (matt dark grey pearl mica) and DC (matt black)



**HEWI Bath towel rail**

- made of high-quality stainless steel
- 800 mm wide, 20 mm high and 70 mm deep, c to c 780 mm
- for wall mounting, concealed fixing
- including non-corrosive HEWI fixing material

- New** 900Q30.002XA
- New** 900Q30.00240
- New** 900Q30.00260

- satin finished
- high-quality chrome-plated
- powder-coated in HEWI colours DX (matt white), SC (matt dark grey pearl mica) and DC (matt black)



**HEWI Surfaces**

- ☒ ...60 DX matt white
- ☐ XA Chr
- ...60 SC matt dark grey pearl mica
- ...60 DC matt black

Detailed information about the spare parts can be found here:  
[www.hewi.com/en/spare-parts](http://www.hewi.com/en/spare-parts)

## System 900



### PRODUCT CHARACTERISTICS

- System 900 has been designed for applications in the professional care sector
- Puristic design in conjunction with a high degree of functionality
- Unique product range depth
- Material variety enables design freedom
- Hygienic surface finish
- Long-lasting quality

### RECOMMENDED APPLICATION AREAS

Professional Care, Hotel, Public





# System 900

## DESIGN

NOA Produktdesign, Aachen

## MATERIAL AND SURFACES

Stainless steel satin finished or high-quality chrome-plated with inserts made of satin crystal glass or polyamide in colours 98 (signal white) and 92 (anthracite grey).

Stainless steel powder-coated in 3 colours with inserts made of satin crystal glass or matt polyamide in the colours signal white or jet black.

## ACCESSORIES

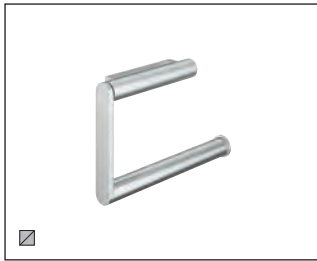
Product range	192 – 193
Basin area	196 – 213
Toilet area	213 – 219
Shower and bath area	220 – 225

## ACCESSIBILITY

Product range	194 – 195
Support	226 – 247
Grip	248 – 273
Sit	274 – 301



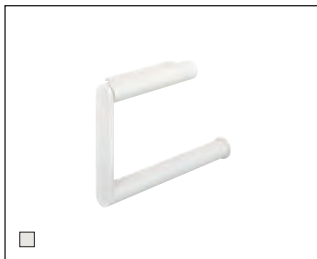
SURFACES



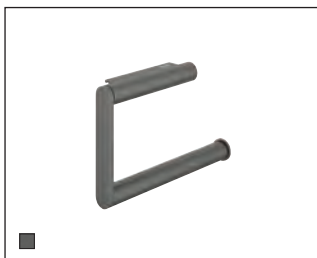
**....XA**  
· stainless steel satin finished



**....40**  
· metal chrome-plated



**....60 DX**  
· metal powder-coated in matt white

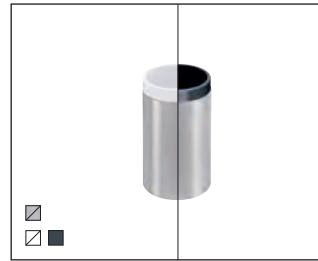


**....60 SC**  
· metal powder-coated in matt dark grey pearl mica

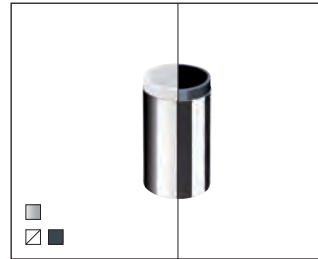


**....60 DC**  
· metal powder-coated in matt black

... WITH MATERIAL COMBINATION POLYAMIDE/  
SYNTHETIC MATERIAL



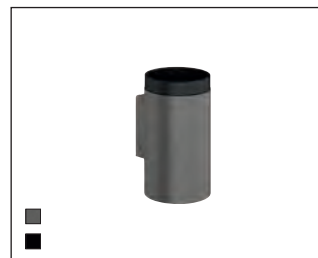
**....XA 98 or 92**  
· stainless steel satin finished  
· high-gloss polyamide in HEWI colours 98 (signal white) or 92 (anthracite grey)



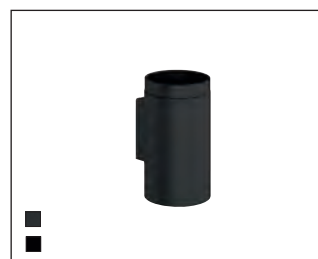
**....40 98 or 92**  
· metal chrome-plated  
· high-gloss polyamide in HEWI colours 98 (signal white) or 92 (anthracite grey)



**....60 AS**  
· metal powder-coated in matt white  
· polyamide/synthetic material matt white



**....60 ER**  
· metal powder-coated in matt dark grey pearl mica  
· polyamide/synthetic material matt black

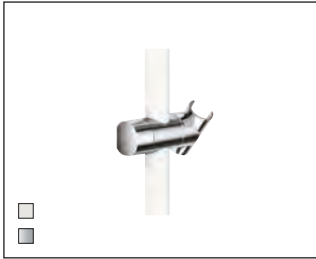


**....60 CV**  
· metal powder-coated in matt black  
· polyamide/synthetic material matt black

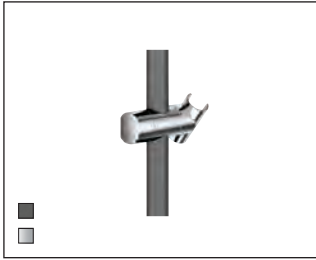


**....60 VH**  
· metal powder-coated in matt white  
· polyamide/synthetic material matt light grey

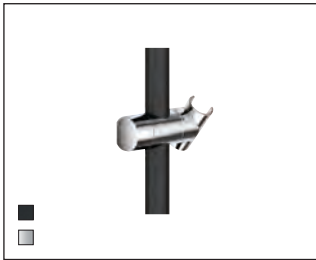
**... WITH MATERIAL COMBINATION CHROME**



**....60 WD**  
 · metal powder-coated in matt white and chrome



**....60 DD**  
 · metal powder-coated in matt dark grey pearl mica and chrome



**....60 JK**  
 · metal powder-coated in matt black and chrome

**MATERIAL COMBINATIONS FOR REMOVABLE HANGING SEATS**



**....60 AS**  
 · metal powder-coated in matt white  
 · matt white synthetic material



**....60 AF**  
 · metal powder-coated in matt anthracite  
 · matt anthracite synthetic material



**....60 CV**  
 · metal powder-coated in matt black  
 · matt black synthetic material

**SURFACES**

- ...40 chrome (Chr)
  - ...XA stainless steel, satin finished
  - White powder-coated (W)
  - ...60 DX powder-coated matt white (RAL 9003)
  - ...60 SC powder-coated matt dark grey pearl mica
  - ...60 DC powder-coated matt black (RAL 9005)
- Special colours see separate document PUSOFASANINT

**ACCESSORIES**



**Tumbler with holder**  
 162.04.110... page 198  
 900.04.000... page 198

- Holder
- Tumbler



**Soap dispenser with holder**  
 900.06.001... page 199  
 900.06.000... page 199

- Holder
- Soap dispen.



**Disinfectant or soap dispenser**  
 900.06.002... | 1000 ml page 200  
 900.06.003... | 500 ml page 201

- Basic body
- Front cover



**Soap dispenser**  
 900.06.004... page 202  
 900.06.00... **HEWI SENSORIC** page 202

- 



**Paper towel dispenser**  
 900.06.009... page 207

- 



**Electronic paper roll dispenser**  
 900.06.010... page 207

- 



**Waste paper bin | with lid**  
 900.05.001... | 900.05.002.. page 208  
 900.05.003.. | 900.05.004.. page 209

- 



**Waste bin, operation by knee**  
 900.05.000... page 217

- 



**Disinfectant dispenser column**  
 900.06.012... p. 204  
 900.06.013... | **HEWI SENSORIC** p. 205

- 



**Disinfectant dispenser column**  
 900.06.014... page 206

- 



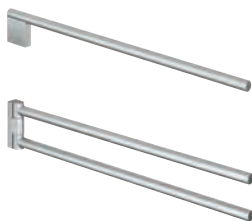
**Disinfectant dispenser**  
 900.06.01560 page 203  
 900.06.01660 page 203

- 



**Shelf | with support rail**  
 162.03.11... page 210  
 900.03.000... page 210

- Holder
- Shelf



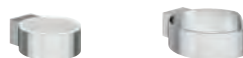
**Towel rail**  
 900.09.001... page 211  
 162.09.100... page 211

- 



**Towel ring**  
 900.09.002... page 211

- 



**Hair dryer- | Walking aid holder**  
 900.00.000... page 212  
 900.90.001... page 212

- Holder
- Insert



**Hook | Double hook**  
 162.90.010... page 213  
 162.90.030... page 213

-



SURFACES

☐ ...40 chrome (Chr)

☒ ...XA stainless steel, satin finished

☐ ...60 DX powder-coated matt white (RAL 9003)

☒ ...60 SC powder-coated matt dark grey pearl mica

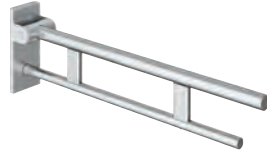
☐ ...60 DC powder-coated matt black (RAL 9005)

Special colours see separate document PUSOFASANINT

ACCESSIBILITY



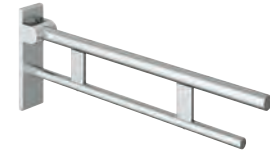
**Hinged support rail Mono, Design A**  
900.50.1... | 600 mm page 230  
900.50.4... | mobile page 236



**Hinged support rail Duo, Design A**  
900.50... from page 230  
900.50.4... | mobile from page 236



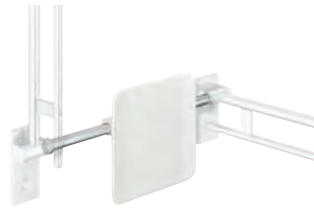
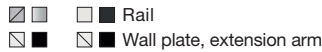
**Hinged support rail Mono, Design B**  
900.50.215... page 231



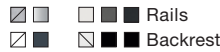
**Hinged support rail Duo, Design B**  
900.50... from page 231



**Hinged support rail**  
900.50... page 240



**Backrest rail**  
900.51.901... | ...006... page 241



**Backrest rail**  
900.51.902... | ...03... page 244  
900.51.91... | mobile page 244



**Backrest rail**  
900.51.900... page 242  
900.51.911... | mobile page 242  
900.51.905... page 243  
900.51.914... | mobile page 243  
900.51.904... | ...909... page 245



**Support rail**  
900.36.0... from page 250



**L-shaped support rail | with toilet roll holder**  
900.22.3... from page 252



**L-shaped support rail | with toilet roll holder**  
900.22.1... from page 254



**Support grab rail**  
900.35.1... from page 258



**New**  
**Rail with shower head holder**  
900.33M0... from page 260



**New**  
**L-shaped support rail with shower head holder**  
900.33M2... from page 262



**New**  
**Rail with adjustable vertical support bar and shower head holder**  
900.35M3... from page 264



**New**  
**Rail with adjustable vertical support bar and shower head holder**  
900.35M4... from page 270



**HEWI COLOURS**

- ☒ 98 (signal white)
- ☐ 97 (light grey)
- 92 (anthracite grey)

- ☒ Signal white matt
- Jet black matt



**Hinged seat**

900.51.2... from page 276  
900.51.4... | mobile page 280

- ☐ ☐ ☐ Wall bracket
- ☒ ☐ ☐ Seat



**Hinged seat with hygiene cutout**

900.51.2... from page 277  
900.51.4... | mobile page 281

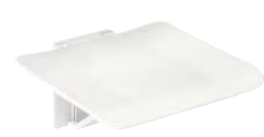
- ☐ ☐ ☐ Wall bracket
- ☒ ☐ ☐ Seat



**Hinged seat**

900.51B21590 page 284

- ☒ ☐ ☐



**Hinged seat**

900.51B21690 page 285

- ☒ ☐ ☐



**Removable hanging seat**

900.51.1...60 from page 286

- ☐ ☐ ☐ Hanging device
- ☒ ☐ ☐ Seat, backrest



**Removable hanging seat with hygiene cutout**

900.51.1...60 from page 288

- ☐ ☐ ☐ Hanging device
- ☒ ☐ ☐ Seat, backrest



**Removable hanging seat with armrests**

900.51.1...60 from page 287

- ☐ ☐ ☐ Hanging device
- ☒ ☐ ☐ Seat, backrest, armrests



**Removable hanging seat with armrests and hygiene cutout**

900.51.1...60 from page 289

- ☐ ☐ ☐ Hanging device
- ☒ ☐ ☐ Seat, backrest, armrests



**Shower stool**

950.51.300... page 296  
950.51.4...60 **New** from page 520

- ☐ ☐ ☐ Frame
- ☒ ☐ ☐ Seat



**Shower- | Bathtub seat**

900.51.2... from page 298

- ☒ ☐ ☐

**MATCHING PRODUCTS**

System 900 can be supplemented with the following products.



**Fittings**

from page 569



**Washbasins**

from page 589



**Universal products**

from page 691



**Universal products**

from page 691

# System 900

## Accessories

---

### DESIGN

- Puristic
- Timeless design language
- Developed together with the design agency NOA, Aachen



---


### RELIABLE QUALITY

- Durable
- Tested for use in highly frequented sanitary rooms
- Only high-quality materials
- Precise workmanship

### MATERIAL OPTIONS

- Optional available in satin finished stainless steel, high-quality chrome-plated or powder-coated
- Can be combined with elements made of polyamide or satin finished crystal glass





· **VERSATILE**

- Unique assortment depth
- Compatible, uncompromising accessible design

---

**CONSISTENT DESIGN**

- Can be combined with HEWI hardware System 162
- ENTRO handrails of range circum supplement the System 900

---

**CLEANING-FRIENDLY | HYGIENE**

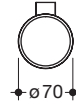
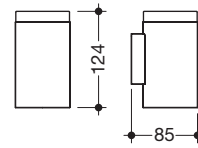
- Smooth surfaces facilitate cleaning
- Resistance to cleaning products
- Minimum joints

Item Number

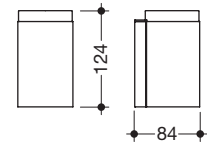
Dimensions in mm / Specification



- Holder
- Tumbler



satin finished  
powder-coated



chrome-plated

**HEWI Tumbler with holder**

- cylindrical wall holder
- with protective film on the inside for a secure, defined position and to protect the insert from damage
- ø 70 mm, 124 mm high and 85 mm deep (for stainless steel satin finished and powder-coated)
- ø 71 mm, 124 mm high and 84 mm deep (for metal, chrome-plated)
- for wall mounting, concealed fixing
- including non-corrosive HEWI fixing material



- Holder
- Tumbler

<b>holder stainless steel</b>	cylindrical tumbler made of high-quality polyamide	cylindrical tumbler made of satin finish crystal glass
<b>satin finished</b>	<b>162.04.110XA 98</b> tumbler signal white	<b>900.04.000XA</b>
<b>satin finished</b>	<b>162.04.110XA 92</b> tumbler anthracite grey	



- Holder
- Tumbler

<b>holder metal</b>	cylindrical tumbler made of high-quality polyamide	cylindrical tumbler made of satin finish crystal glass
<b>chrome-plated</b>	<b>162.04.11040 98</b> tumbler signal white	<b>900.04.00040</b>
<b>chrome-plated</b>	<b>162.04.11040 92</b> tumbler anthracite grey	

<b>holder stainless steel, powder-coated</b>	cylindrical tumbler made of high-quality matt polyamide	cylindrical tumbler made of satin finish crystal glass
matt white	<b>162.04.11060 AS</b> tumbler signal white matt	<b>900.04.00060 DX</b>
matt dark grey pearl mica	<b>162.04.11060 ER</b> tumbler jet black matt	<b>900.04.00060 SC</b>
matt black	<b>162.04.11060 CV</b> tumbler jet black matt	<b>900.04.00060 DC</b>

800.04.010  
800.04B010  
800.04.E01

**HEWI Tumbler**  
**HEWI Tumbler, matt**  
**HEWI Glass tumbler**

**HEWI Powder coating | Material combinations with synthetic material**

- ...60 AS matt white | polyamide signal white matt
- ...60 ER matt dark grey pearl mica | polyamide jet black matt
- ...60 CV matt black | polyamide jet black matt

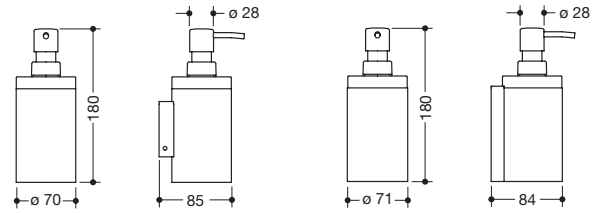
Item Number

Dimensions in mm / Specification

System 900



- ☒ Holder, pump head
- ☒ ■ □ Soap dispenser



satin finished powder-coated



chrome-plated

**HEWI Soap dispenser with holder**

- cylindrical wall holder
- with protective film on the inside for a secure, defined position and to protect the insert from damage
- ø 70 mm, 180 mm high and 85 mm deep, incl. pump (for stainless steel satin finished and powder-coated)
- ø 71 mm, 180 mm high and 84 mm deep, incl. pump (for metal, chrome-plated)
- capacity approx. 200 ml
- for wall mounting, concealed fixing
- including non-corrosive HEWI fixing material



- ☒ Holder, pump head
- ☒ ■ □ Soap dispenser

**holder stainless steel**

soap dispenser made of high-quality polyamide  
pump head stainless steel look

soap dispenser made of satin finish crystal glass  
pump head stainless steel look

**satin finished**

**900.06.001XA 98**  
soap dispenser signal white

**900.06.000XA**

**satin finished**

**900.06.001XA 92**  
soap dispenser anthracite grey



- ☒ ■ □ Holder
- ☒ ■ □ Soap dispenser
- ☒ □ Pump head

**holder metal**

soap dispenser made of high-quality polyamide  
pump head chrome-plated

soap dispenser made of satin finish crystal glass  
pump head chrome-plated

**chrome-plated**

**900.06.00140 98**  
soap dispenser signal white

**900.06.00040**

**chrome-plated**

**900.06.00140 92**  
soap dispenser anthracite grey

**holder stainless steel, powder-coated**

soap dispenser made of high-quality matt polyamide  
pump head chrome-plated

soap dispenser made of satin finish crystal glass  
pump head chrome-plated

**matt white**

**900.06.00160 AS**  
soap dispenser signal white matt

**900.06.00060 DX**

**matt dark grey pearl mica**

**900.06.00160 ER**  
soap dispenser jet black matt

**900.06.00060 SC**

**matt black**

**900.06.00160 CV**  
soap dispenser jet black matt

**900.06.00060 DC**

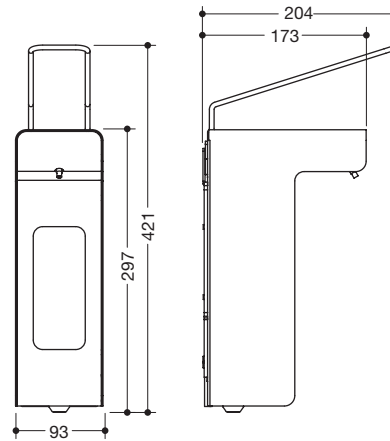
- 800.06.E02**
- 67738**
- 815.06.E01**
- 66988**
- 66989**
- 63907**
- 63910**

- HEWI Container for soap dispenser, polyamide**
- HEWI Container for soap dispenser, polyamide matt**
- HEWI Glass container**
- HEWI Pump head, stainless steel look (for 900.06.000XA)**
- HEWI Pump head, stainless steel look (for 900.06.001XA)**
- HEWI Pump head, chrome-plated (for 900.06.00140, 900.06.00160)**
- HEWI Pump head, chrome-plated (for 900.06.00040, 900.06.00060)**

**HEWI Colours | Surfaces**

- ☒ ■ □ ...60 DX matt white
- ☒ ■ □ 98 92 XA Chr Glass ■ ...60 SC matt dark grey pearl mica
- ☒ ■ □ ...60 DC matt black

Detailed information about the spare parts can be found here:  
[www.hewi.com/en/spare-parts](http://www.hewi.com/en/spare-parts)



**900.06.002XA**  
**900.06.00261**  
**900.06.00260**

**HEWI Disinfectant or soap dispenser 1000 ml**

- front cover made of high-quality stainless steel, with viewing window
- for dispensing controlled quantities of alcohol-based hand disinfectants or liquid soaps
- for 1000 ml Euro standard bottles
- the disposable bottle are easy to replace from the front
- dispenser with long lever, lockable
- dosing quantity adjustable in several steps: 0,7 ml, 1,0 ml, 1,2 ml, 1,5 ml (depending on the viscosity of the product)
- dosing pump made of stainless steel
- compatible with hygienic packaging (collapsing bottle with disposable pump)
- dispenser and pump dishwasher safe and autoclavable up to 134 °C, 3 bar
- 93 mm wide, 421 mm high, 204 mm deep
- incl. 1000 ml empty container for free refilling
- including non-corrosive HEWI fixing material
- basic body made of high-quality stainless steel, satin finished
- basic body made of high-quality stainless steel, white powder coated
- basic body and front cover made of high-quality stainless steel, powder-coated in HEWI colours DX (matt white), SC (matt dark grey pearl mica) and DC (matt black)



**900.06.E0660**

**HEWI Drip tray**

- for collecting disinfectant and soap
- suitable for HEWI disinfectant or soap dispensers 900.06.00260, 900.06.00261, 900.06.002XA and HEWI disinfectant or soap dispenser columns 900.06.01260 and 900.06.012XA
- to hang in the dispenser
- made of metal, powder-coated in HEWI colours DX (matt white), DC (matt black), AY (matt light grey pearl mica) and SC (matt dark grey pearl mica)
- 93 mm wide, 51 mm high and 107 mm deep



Item Number

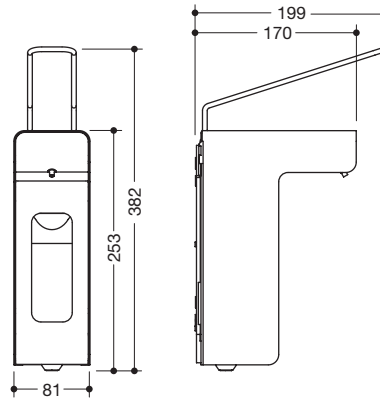
Dimensions in mm / Specification



- Basic body
- Front cover



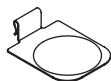
**900.06.003XA**  
**900.06.00361**  
**900.06.00360**



**HEWI Disinfectant or soap dispenser 500 ml**

- front cover made of high-quality stainless steel, with viewing window
- for dispensing controlled quantities of alcohol-based hand disinfectants or liquid soaps
- for 500 ml Euro standard bottles
- the disposable bottle are easy to replace from the front
- dispenser with long lever, lockable
- dosing quantity adjustable in several steps: 0,7 ml, 1,0 ml, 1,2 ml, 1,5 ml (depending on the viscosity of the product)
- dosing pump made of stainless steel
- compatible with hygienic packaging (collapsing bottle with disposable pump)
- dispenser and pump dishwasher safe and autoclavable up to 134 °C, 3 bar
- 81 mm wide, 382 mm high, 199 mm deep
- incl. 500 ml empty container for free refilling
- including non-corrosive HEWI fixing material
- basic body made of high-quality stainless steel, satin finished
- basic body made of high-quality stainless steel, white powder coated
- basic body and front cover made of high-quality stainless steel, powder-coated in HEWI colours DX (matt white), SC (matt dark grey pearl mica) and DC (matt black)

System 900



**900.06.E0560**

**HEWI Drip tray**

- for collecting disinfectant and soap
- suitable for HEWI disinfectant or soap dispensers 900.06.00360, 900.06.00361 and 900.06.003XA
- to hang in the dispenser
- made of metal, powder-coated in HEWI colours DX (matt white), DC (matt black), AY (matt light grey pearl mica) and SC (matt dark grey pearl mica)
- 81 mm wide, 29 mm high and 107 mm deep

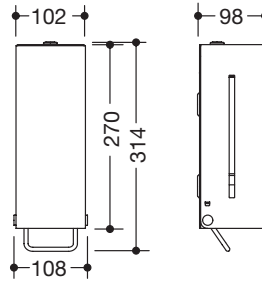


**HEWI Surfaces**

- ...60 DX matt white
- W XA    ...60 AY matt light grey pearl mica
- ...60 SC matt dark grey pearl mica
- ...60 DC matt black

Item Number

Dimensions in mm / Specification



**HEWI Soap dispenser**

- to be filled with standard liquid soap
- with inner container for free filling, capacity 600 ml
- inner container can be removed for cleaning, side level indicator
- for wall mounting, locking system as protection against misuse
- 102 mm wide, 270 mm high and 98 mm deep
- made of high-quality stainless steel
- including non-corrosive HEWI fixing material
- satin finished
- powder-coated in HEWI colours DX (matt white), SC (matt dark grey pearl mica) and DC (matt black)

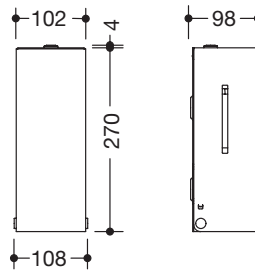
900.06.004XA  
900.06.00460



**HEWI SENSORIC**



**HEWI SENSORIC**



**HEWI SENSORIC Soap dispenser**

- to be filled with standard liquid soap
- with inner container for free filling, capacity 500 ml
- inner container can be removed for cleaning, side level indicator
- non-contact soap dispensing, with battery change indicator
- illumination of the output area when the sensor is activated (blue light)
- for wall mounting, locking system as protection against misuse
- 102 mm wide, 270 mm high and 98 mm deep, maintenance-free
- batteries (AA 1,5 V/4 pcs.) not included in delivery
- made of high-quality stainless steel
- including non-corrosive HEWI fixing material

900.06.005XA  
900.06.00560

- satin finished
- powder-coated in HEWI colours DX (matt white), SC (matt dark grey pearl mica) and DC (matt black)

**HEWI SENSORIC Foam soap dispenser**

- do., to be filled with standard foam soap
- satin finished
- powder-coated in HEWI colours DX (matt white), SC (matt dark grey pearl mica) and DC (matt black)

900.06.007XA  
900.06.00760

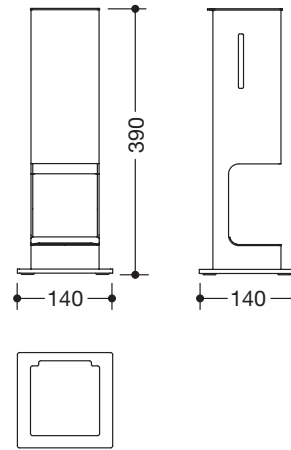
**HEWI SENSORIC Disinfectant dispenser**

- do., to be filled with standard disinfectant
- disinfectant is dispensed as a spray
- satin finished
- powder-coated in HEWI colours DX (matt white), SC (matt dark grey pearl mica) and DC (matt black)

900.06.008XA  
900.06.00860

Item Number

Dimensions in mm / Specification



900.06.01560

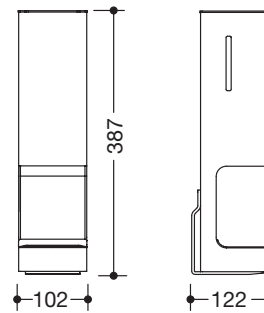
**HEWI SENSORIC Disinfectant dispenser, upright model**

- to be filled with standard disinfectant
- incl. base plate in dispenser colour
- screw connection to the counter/table possible (anti-theft protection)
- non-contact disinfectant dispensing
- disinfectant is dispensed as a spray
- illumination of the output area when the sensor is activated (blue light)
- with inner container for free filling, capacity 500 ml
- side level indicator
- removable drip tray made of synthetic material and inlay in HEWI colour 90 (jet black)
- locking position for removing the pump or changing the battery
- 390 mm high, 140 mm deep, 140 mm wide, weight approx. 4 kg
- made of high-quality stainless steel, powder-coated in HEWI colours DX (matt white), SC (matt dark grey pearl mica) and DC (matt black)
- batteries (AA 1,5 V/4 pcs.) not included in delivery

HEWI SENSORIC



System 900



900.06.01660

**HEWI SENSORIC Disinfectant dispenser, wall model**

- to be filled with standard disinfectant
- non-contact disinfectant dispensing
- disinfectant is dispensed as a spray
- illumination of the output area when the sensor is activated (blue light)
- with inner container for free filling, capacity 500 ml
- side level indicator, for wall mounting
- removable drip tray made of synthetic material and inlay in HEWI colour 90 (jet black)
- locking position for removing the pump or changing the battery
- 387 mm high, 122 mm deep, 102 mm wide, weight approx. 4 kg
- made of high-quality stainless steel, powder-coated in HEWI colours DX (matt white), SC (matt dark grey pearl mica) and DC (matt black)
- including non-corrosive HEWI fixing material
- batteries (AA 1,5 V/4 pcs.) not included in delivery

HEWI SENSORIC



**HEWI Surfaces**

- ...60 DX matt white
- ...60 AY matt light grey pearl mica
- ...60 SC matt dark grey pearl mica
- ...60 DC matt black

900.06.E02

900.06.E04

900.06.E03

900.06.E0160

**HEWI Soap tank and soap pump for 900.06.005...**

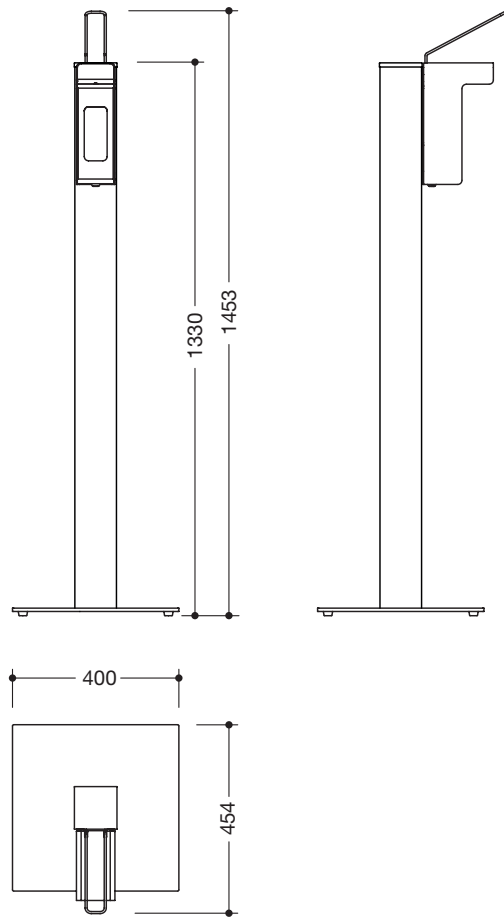
**HEWI Soap tank and foam pump for 900.06.007...**

**HEWI Soap tank and spray pump for 900.06.008...**

**HEWI Drip tray** see page 205



- Basic body
- Front cover



900.06.012XA

900.06.01260

**HEWI Disinfectant dispenser column**

- comprising disinfectant dispenser and column
- column with angular base body
- contains the disinfectant dispenser 900.06.002...
- front cover made of high-quality stainless steel, with viewing window
- for dispensing hand disinfectants containing alcohol or liquid soaps
- for 1000 ml Euro standard bottles
- the disposable bottle are easy to replace from the front
- dispenser with long lever, lockable
- dosing quantity adjustable in several steps: 0,7 ml, 1,0 ml, 1,2 ml, 1,5 ml (depending on the viscosity of the product)
- dosing pump made of stainless steel
- compatible with hygienic packaging (collapsing bottle with disposable pump)
- dispenser and pump dishwasher safe and autoclavable up to 134 °C, 3 bar
- incl. 1000 ml empty container for free refilling
- set: 1453 mm high, 454 mm deep, 400 mm wide
- including non-corrosive HEWI fixing material
- column made of high-quality stainless steel, satin finished, weight approx. 21 kg
- dispenser made of high-quality stainless steel, satin finished, front cover white powder-coated
- column made of aluminum, with steel base, powder-coated, weight approx. 15 kg
- basic body and dispenser front cover made of high-quality stainless steel, powder-coated in HEWI colours DX (matt white), SC (matt dark grey pearl mica) and DC (matt black)

900.06.E0660

HEWI Drip tray for 900.06.012... see page 200



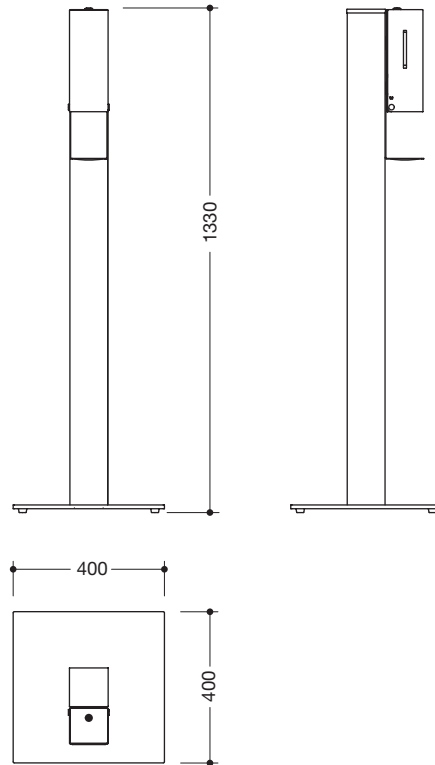
Item Number

Dimensions in mm / Specification



**HEWI SENSORIC**

- Basic body
- Drip tray



System 900



**HEWI SENSORIC**



**900.06.013XA**

**900.06.01360**

**HEWI SENSORIC Disinfectant dispenser column**

- comprising disinfectant dispenser, drip tray and column
- column with angular base body
- contains the disinfectant dispenser 900.06.008...
- with inner container for free filling, capacity 500 ml
- inner container can be removed for cleaning, side level indicator
- non-contact disinfectant dispensing, with battery change indicator
- disinfectant is dispensed as a spray
- illumination of the output area when the sensor is activated (blue light)
- locking system as protection against misuse, maintenance-free
- drip tray serves to collect dripping disinfectant
- set: 1330 mm high, 400 mm deep, 400 mm wide
- including non-corrosive HEWI fixing material
- batteries (AA 1,5 V/4 pcs.) not included in delivery

- column made of high-quality stainless steel, satin finished, weight approx. 21 kg
- dispenser made of high-quality stainless steel, satin finished
- drip tray powder-coated in HEWI colour AY (matt light grey pearl mica)
- column made of aluminum, with steel base, powder-coated, weight approx. 15 kg
- dispenser and drip tray made of high-quality stainless steel, powder-coated in HEWI colours DX (matt white), SC (matt dark grey pearl mica) and DC (matt black)



**900.06.E0160**

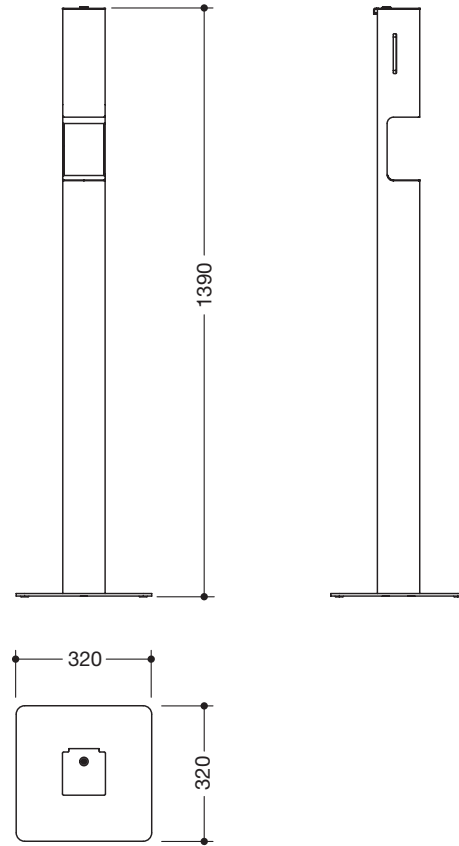
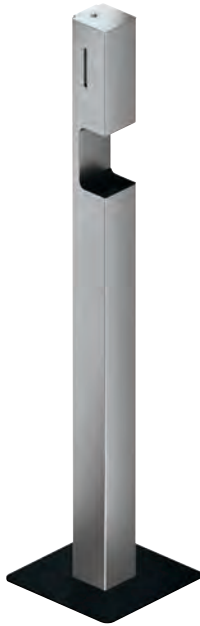
**HEWI Drip tray**

- serves to collect dripping disinfectant
- suitable for disinfectant dispenser columns 900.06.013..., disinfectant dispensers 900.06.008..., soap dispensers 900.06.005... and foam soap dispensers 900.06.007...
- 96 mm wide, 373 mm high and 102 mm deep
- fixed in place using the dispenser fixing points
- made of high-quality stainless steel, powder-coated in HEWI colours DX (matt white), AY (matt light grey pearl mica), SC (matt dark grey pearl mica) and DC (matt black)



**HEWI Surfaces**

- ...60 DX matt white
- W XA    ...60 AY matt light grey pearl mica
- ...60 SC matt dark grey pearl mica
- ...60 DC matt black



**HEWI SENSORIC**

- Basic body
- Drip tray, base plate



**HEWI SENSORIC**



**900.06.014XA**

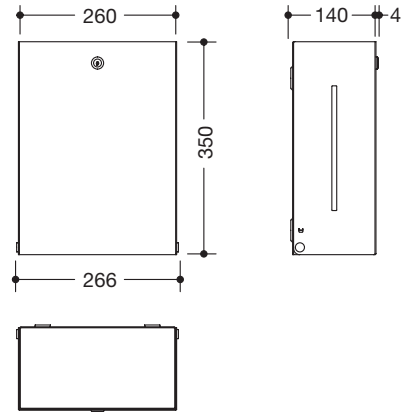
**900.06.01460**

**HEWI SENSORIC Disinfectant dispenser column**

- comprising column with integrated sensor dispenser
- column with angular base body
- with inner container for free filling, capacity 500 ml
- inner container can be removed for cleaning
- level indicator at the side
- non-contact disinfectant dispensing
- disinfectant is dispensed as a spray
- illumination of the output area when the sensor is activated (blue light)
- with battery change indicator
- maintenance-free
- removable drip tray made of synthetic material in HEWI colour 90 (jet black) serves to collect dripping disinfectant
- lockable lid which can be opened for refilling
- locking position for removing the pump or changing the battery
- 320 mm wide, 1390 mm high and 320 mm deep, weight approx. 18 kg
- batteries (AA 1,5 V/4 pcs.) not included in delivery
- made of high-quality stainless steel, satin finished
- base plate powder-coated in HEWI colour DC (matt black)
- made of high-quality stainless steel, powder-coated in HEWI colours DX (matt white), SC (matt dark grey pearl mica) and DC (matt black)

Item Number

Dimensions in mm / Specification



**HEWI Paper towel dispenser**

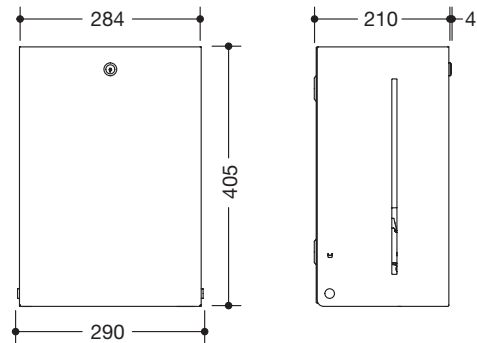
- to hold standard paper towels with different folds in the width 235 - 250 mm and folded length / depth of 80 - 110 mm (HEWI recommends paper towels with Z-fold)
- capacity approx. 300 - 450 paper towels
- side level indicator
- locking system as protection against misuse
- 260 mm wide, 350 mm high and 140 mm deep
- for wall mounting
- made of high-quality stainless steel
- including non-corrosive HEWI fixing material

**900.06.009XA**  
**900.06.00960**

- satin finished
- powder-coated in HEWI colours DX (matt white), SC (matt dark grey pearl mica) and DC (matt black)



System 900



**HEWI Electronic paper roll dispenser**

- to hold standard paper rolls with external unwinding, max. roll width 210 mm, max. roll diameter 200 mm, sleeve diameter 38 mm
- side level indicator, easy paper roll replacement
- with battery change indicator
- automatic paper output at the washbasin after the paper has been torn off, integrated tear-off edge
- locking system as protection against misuse, maintenance-free
- 284 mm wide, 405 mm high and 210 mm deep
- for wall mounting
- made of high-quality stainless steel
- including non-corrosive HEWI fixing material
- batteries (D-Mono-LR20-1,5 V/4 pcs.) not included in delivery
- can be converted to mains connection with 950.06.E01

**900.06.010XA**  
**900.06.01060**

- satin finished
- powder-coated in HEWI colours DX (matt white), SC (matt dark grey pearl mica) and DC (matt black)

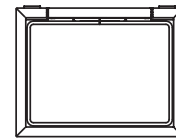
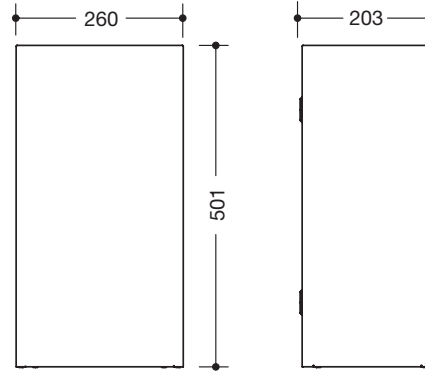


**HEWI Surfaces**

- ☒ ...60 DX matt white
- XA ☐ ...60 SC matt dark grey pearl mica
- ...60 DC matt black

Item Number

Dimensions in mm / Specification

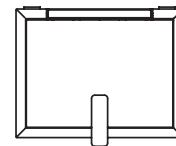
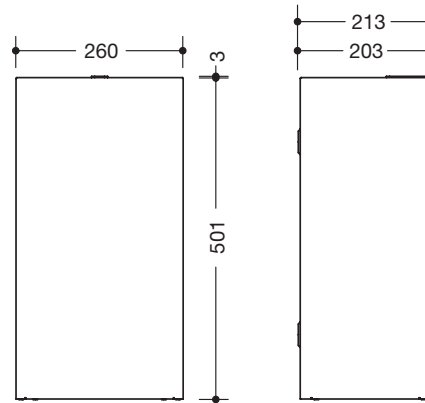


**HEWI Waste paper bin**

- capacity approx. 25 l
- invisible, integrated bag holder with pull-out function for easy insertion and removal of the bag
- 260 mm wide, 501 mm high and 203 mm deep
- for wall mounting
- made of high-quality stainless steel
- including non-corrosive HEWI fixing material

**900.05.001XA**  
**900.05.00160**

- satin finished
- powder-coated in HEWI colours DX (matt white), SC (matt dark grey pearl mica) and DC (matt black)



**HEWI Waste paper bin**

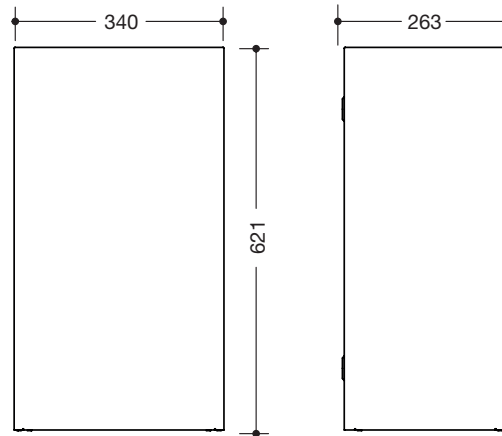
- do., with lid
- satin finished
- powder-coated in HEWI colours DX (matt white), SC (matt dark grey pearl mica) and DC (matt black)

**900.05.002XA**  
**900.05.00260**



Item Number

Dimensions in mm / Specification

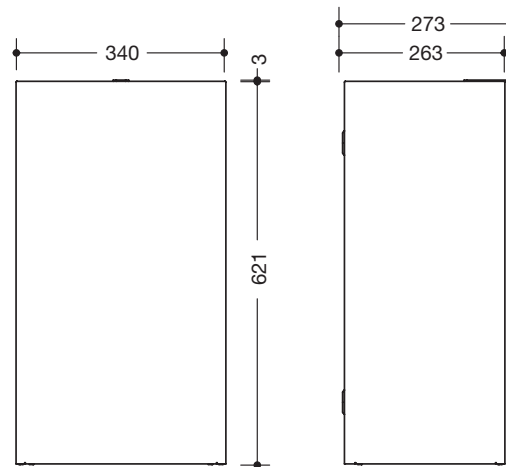


**HEWI Waste paper bin**

- capacity approx. 60 l
- invisible, integrated bag holder with pull-out function for easy insertion and removal of the bag
- 340 mm wide, 621 mm high and 263 mm deep
- for wall mounting
- made of high-quality stainless steel
- including non-corrosive HEWI fixing material
- satin finished
- powder-coated in HEWI colours DX (matt white), SC (matt dark grey pearl mica) and DC (matt black)

**900.05.003XA**  
**900.05.00360**

System 900



**HEWI Waste paper bin**

- do., with lid
- satin finished
- powder-coated in HEWI colours DX (matt white), SC (matt dark grey pearl mica) and DC (matt black)

**900.05.004XA**  
**900.05.00460**

**HEWI Surfaces**

- ☒ ...60 DX matt white
- XA ☐ ...60 SC matt dark grey pearl mica
- ...60 DC matt black

Item Number

Dimensions in mm / Specification



- Holder
- Shelf

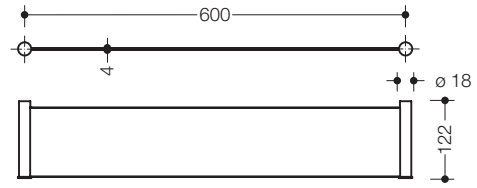


- Holder
- Shelf



- Holder
- Shelf

**162.03.1105XA**  
**162.03.110540**  
**162.03.11560**



**HEWI Shelf**

- consisting of two holding elements and glass shelf
- holder made of high-quality stainless steel ø 18 mm
- shelf made of glass (4 mm), matt sandblasted underside
- 600 mm wide (c to c), 122 mm deep
- for wall mounting, concealed fixing
- not suitable for use in the shower
- including non-corrosive HEWI fixing material

- satin finished
- chrome-plated
- powder-coated in HEWI colours DX (matt white), SC (matt dark grey pearl mica) and DC (matt black)



- Holder
- Shelf

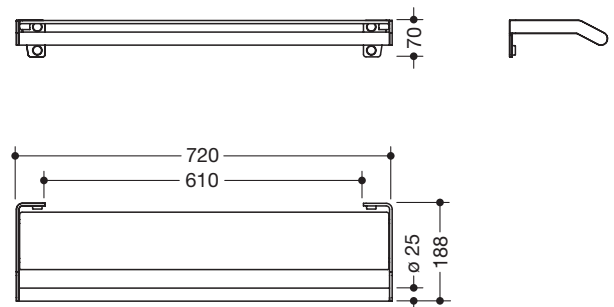


- Holder
- Shelf



- Holder
- Shelf

**900.03.000XA**  
**900.03.00040**  
**900.03.00060**



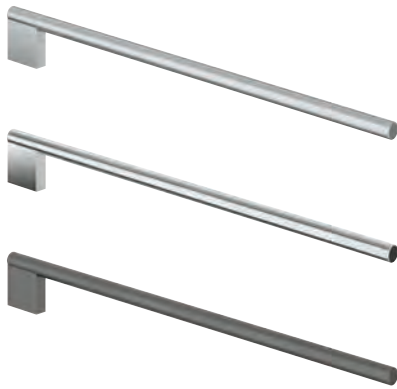
**HEWI Shelf with support rail**

- shelf with integrated support rail at the front
- continuous mirror solution possible
- holder made of high-quality stainless steel
- glass plate with anti-splinter film, white back-painted
- 720 mm wide, 70 mm high, 188 mm deep
- support rail ø 25 mm
- including non-corrosive HEWI fixing material

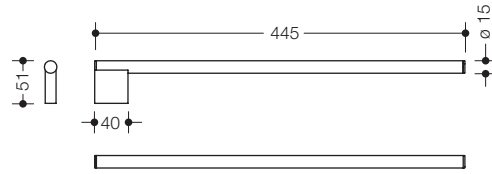
- satin finished
- chrome-plated
- powder-coated in HEWI colours DX (matt white), SC (matt dark grey pearl mica) and DC (matt black)

Item Number

Dimensions in mm / Specification



**900.09.001XA**  
**900.09.00140**  
**900.09.00160**

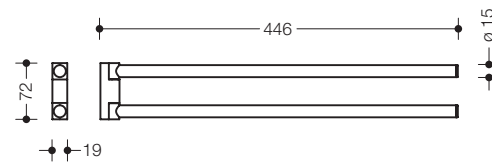


**HEWI Towel rail**

- towel rail with a cylindrical holding arm, fixed
- made of high-quality stainless steel
- 445 mm long, 51 mm high, holding arm ø 15 mm
- for wall mounting, concealed fixing
- including non-corrosive HEWI fixing material
- satin finished
- chrome-plated
- powder-coated in HEWI colours DX (matt white), SC (matt dark grey pearl mica) and DC (matt black)



**162.09.100XA**  
**162.09.10040**  
**162.09.10060**

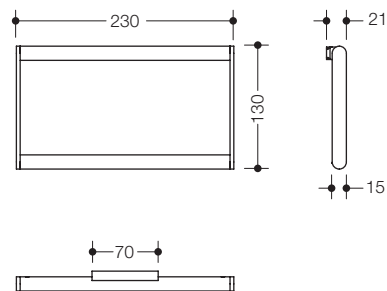


**HEWI Towel rail**

- towel rail with two cylindrical arms arranged above each other
- the arms can be swung to the side separately
- made of high-quality stainless steel
- 446 mm long, 72 mm high, holding arms ø 15 mm
- for wall mounting, concealed fixing
- including non-corrosive HEWI fixing material
- satin finished
- chrome-plated
- powder-coated in HEWI colours DX (matt white), SC (matt dark grey pearl mica) and DC (matt black)



**900.09.002XA**  
**900.09.00240**  
**900.09.00260**



**HEWI Towel ring**

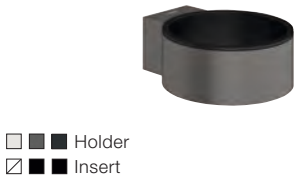
- closed towel ring, rectangular
- the ring can be swivelled
- made of high-quality stainless steel
- 230 mm wide, 130 mm high, ø 15 mm
- for wall mounting, concealed fixing
- including non-corrosive HEWI fixing material
- satin finished
- chrome-plated
- powder-coated in HEWI colours DX (matt white), SC (matt dark grey pearl mica) and DC (matt black)

**HEWI Surfaces**

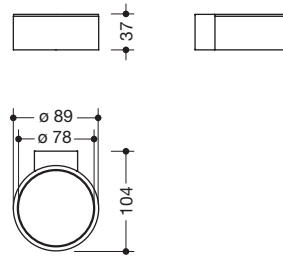
- XA Chr
- Glass
- ...60 DX matt white
- ...60 SC matt dark grey pearl mica
- ...60 DC matt black

Item Number

Dimensions in mm / Specification



**900.00.000XA**  
**900.00.00040**  
**900.00.00060**



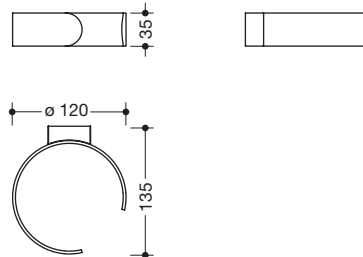
**HEWI Hair dryer holder**

- holder made of high-quality stainless steel
- with insert to protect against damage to the hairdryer
- insert made of high-quality synthetic material in HEWI colours 92 (anthracite grey) and 98 (signal white) resp. signal white matt and jet black matt
- inside 78 mm wide, 37 mm high, 104 mm deep
- for wall mounting, concealed fixing
- including non-corrosive HEWI fixing material
- satin finished
- chrome-plated
- powder-coated in HEWI colour AS (matt white) with insert made of matt white polyamide or powder-coated in HEWI colours CV (matt black) and ER (matt dark grey pearl mica) with insert made of matt black polyamide

Please advise colour of insert resp. colour combination when ordering.



**900.90.001XA**  
**900.90.00140**  
**900.90.00160**



**HEWI Walking aid holder**

- made of high-quality stainless steel
- 120 mm wide, 35 mm high, 135 mm deep
- for wall mounting, concealed fixing
- including non-corrosive HEWI fixing material
- satin finished
- chrome-plated
- powder-coated in HEWI colours DX (matt white), SC (matt dark grey pearl mica) and DC (matt black)

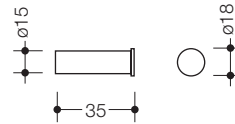
**HEWI Powder coating | Material combinations with synthetic material**

- ...60 AS matt white | polyamide signal white matt
- ...60 ER matt dark grey pearl mica | polyamide jet black matt
- ...60 CV matt black | polyamide jet black matt



Item Number

Dimensions in mm / Specification



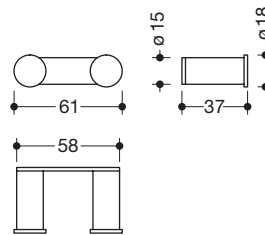
**HEWI Single hook**

- cylindrical hook made of high-quality stainless steel
- 35 mm long, ø 15 mm
- for wall mounting, concealed fixing
- including non-corrosive HEWI fixing material (BM1221, see register Fixings page 743)
- satin finished
- chrome-plated
- powder-coated in HEWI colours DX (matt white), SC (matt dark grey pearl mica) and DC (matt black)

**162.90.010XA**  
**162.90.01040**  
**162.90.01060**



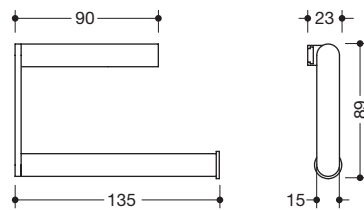
System 900



**HEWI Double hook**

- double hook with two cylindrical hook elements
- 61 mm wide, 18 mm high, 37 mm deep, hook parts ø 15 mm
- for wall mounting, concealed fixing
- including non-corrosive HEWI fixing material
- made of high-quality stainless steel, satin finished
- made of metal, high-quality chrome-plated
- made of high-quality stainless steel, powder-coated in HEWI colours DX (matt white), SC (matt dark grey pearl mica) and DC (matt black)

**162.90.030XA**  
**162.90.03040**  
**162.90.03060**



**HEWI Toilet roll holder**

- U-shaped holder, opened to the right
- made of high-quality stainless steel, hinged
- 135 mm wide, 89 mm high, ø 15 mm
- for wall mounting, concealed fixing
- including non-corrosive HEWI fixing material
- satin finished
- chrome-plated
- powder-coated in HEWI colours DX (matt white), SC (matt dark grey pearl mica) and DC (matt black)

**900.21.000XA**  
**900.21.00040**  
**900.21.00060**

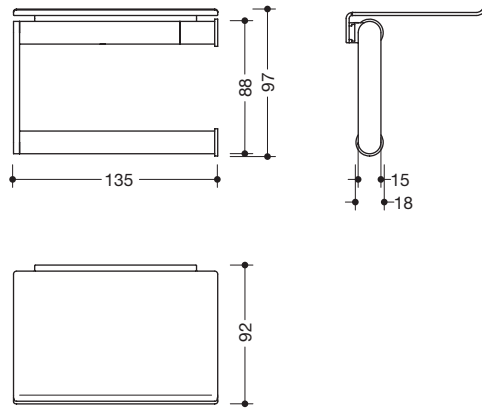


**HEWI Surfaces**

- ☒ ...60 DX matt white
- ☐ XA Chr
- ...60 SC matt dark grey pearl mica
- ...60 DC matt black

Item Number

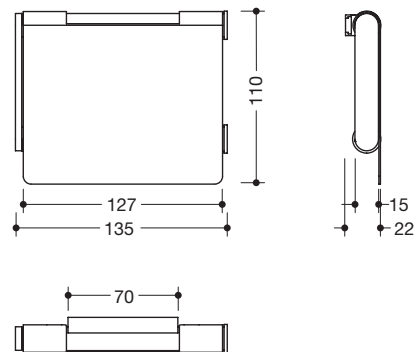
Dimensions in mm / Specification



**HEWI Toilet roll holder with shelf**

- U-shaped holder with shelf, opened to the right
- hinged
- made of high-quality stainless steel
- 135 mm wide, 97 mm high, ø 15 mm
- shelf 135 mm wide, 92 mm deep
- for wall mounting, concealed fixing
- including non-corrosive HEWI fixing material
- satin finished
- chrome-plated
- powder-coated in HEWI colours DX (matt white), SC (matt dark grey pearl mica) and DC (matt black)

900.21.004XA  
900.21.00440  
900.21.00460



**HEWI Toilet roll holder with lid**

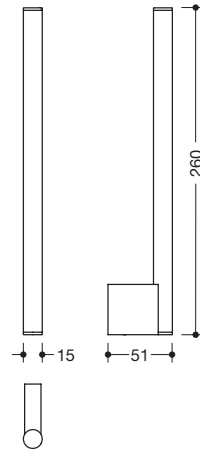
- U-shaped holder with lid, opened to the right
- hinged
- made of high-quality stainless steel
- 135 mm wide, 110 mm high, ø 15 mm
- for wall mounting, concealed fixing
- including non-corrosive HEWI fixing material
- satin finished
- chrome-plated
- powder-coated in HEWI colours DX (matt white), SC (matt dark grey pearl mica) and DC (matt black)

900.21.005XA  
900.21.00540  
900.21.00560



Item Number

Dimensions in mm / Specification



**HEWI Spare roll holder**

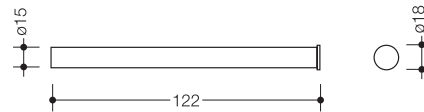
- cylindrical spare roll holder for holding two toilet rolls
- made of high-quality stainless steel
- 260 mm long, 51 mm deep, ø 15 mm
- for wall mounting, concealed fixing
- including non-corrosive HEWI fixing material

**900.21.006XA**  
**900.21.00640**  
**900.21.00660**



- satin finished
- chrome-plated
- powder-coated in HEWI colours DX (matt white), SC (matt dark grey pearl mica) and DC (matt black)

System 900



**HEWI Spare roll holder**

- cylindrical holder
- 122 mm long, ø 15 mm
- for wall mounting, concealed fixing
- including non-corrosive HEWI fixing material (BM1221, see register Fixings page 743)

**162.21.300XA**  
**162.21.30040**  
**162.21.30060**



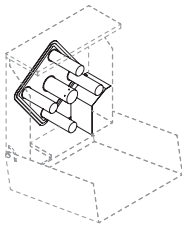
- made of high-quality stainless steel, satin finished
- made of metal, high-quality chrome-plated
- made of metal, powder-coated in HEWI colours DX (matt white), SC (matt dark grey pearl mica) and DC (matt black)

**HEWI Surfaces**

- ▣ ...60 DX matt white
- XA Chr ▣ ...60 SC matt dark grey pearl mica
- ▣ ...60 DC matt black

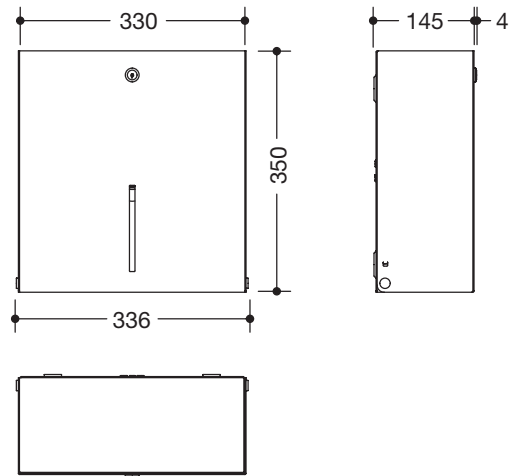
Item Number

Dimensions in mm / Specification



900.21.001XA  
900.21.00160

900.21.E01



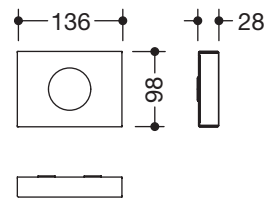
**HEWI Large toilet roll holder**

- for holding a standard large toilet roll in diameters from 250 - 320 mm
- level indicator at the front
- for wall mounting, locking system as protection against misuse
- 330 mm wide, 350 mm high and 145 mm deep
- made of high-quality stainless steel
- tear-off edge made of stainless steel
- extension possible with carousel 900.21.E01
- including non-corrosive HEWI fixing material

- satin finished
- powder-coated in HEWI colours DX (matt white), SC (matt dark grey pearl mica) and DC (matt black)

**HEWI Carousel**

- for conversion from large toilet roll holder to quadruple toilet roll holder
- optionally available



**HEWI Hygiene bag dispenser**

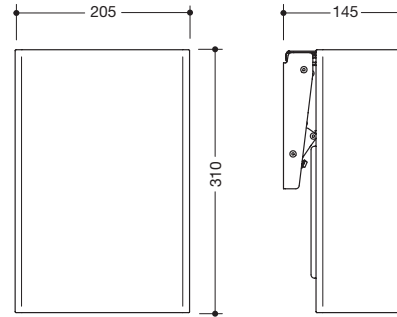
- holds and dispenses proprietary hygiene bags made of synthetic material (max. package size L 130 x B 90 x H 20 mm)
- for wall mounting
- 136 mm wide, 98 mm high and 28 mm deep
- made of high-quality stainless steel
- including non-corrosive HEWI fixing material

- satin finished
- powder-coated in HEWI colours DX (matt white), SC (matt dark grey pearl mica) and DC (matt black)

900.06.011XA  
900.06.01160

Item Number

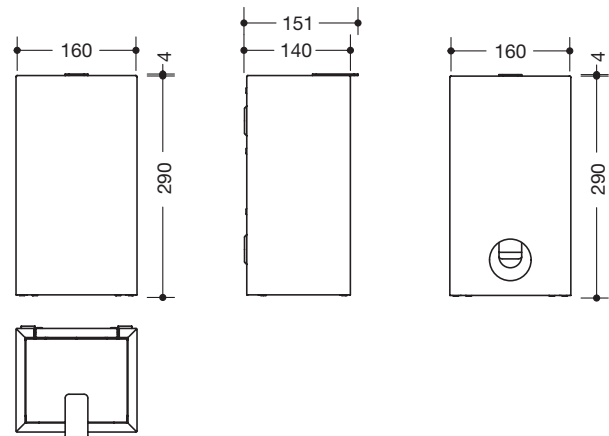
Dimensions in mm / Specification



**HEWI Waste bin, operation by knee**

- hygiene waste bin with hinged lid made of high-quality stainless steel
- removable
- lid can be opened by lightly pressing the knee against the bin, with soft-close
- with self-adhesive label with instructions for knee operation
- invisible, integrated bag holder
- only suitable for wall mounting
- capacity approx. 6 l
- 205 mm wide, 310 mm high and 145 mm deep
- including non-corrosive HEWI fixing material
- satin finished
- powder-coated in HEWI colours DX (matt white), SC (matt dark grey pearl mica) and DC (matt black)

System 900



**HEWI Hygiene waste bin**

- capacity approx. 6 l, for wall mounting
- invisible, integrated bag holder with pull-out function for easy insertion and removal of the bag
- lid with lifting flap
- 160 mm wide, 290 mm high and 140 mm deep
- made of high-quality stainless steel
- including non-corrosive HEWI fixing material

- satin finished
- powder-coated in HEWI colours DX (matt white), SC (matt dark grey pearl mica) and DC (matt black)



**900.05.005XA**  
**900.05.00560**

**900.05.006XA**  
**900.05.00660**

**HEWI Hygiene combination**

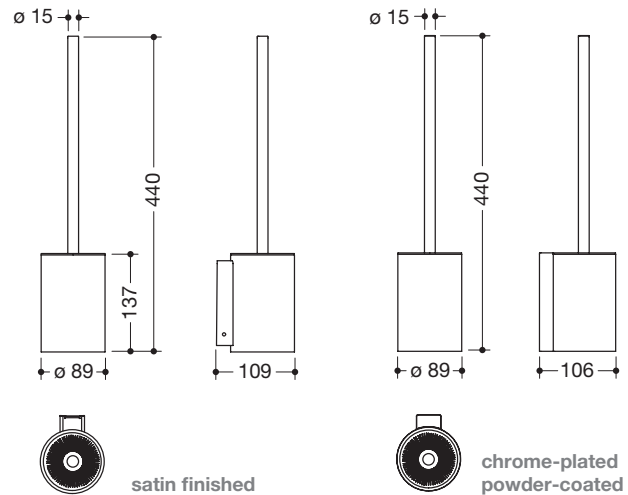
- do., with integrated holder for standard hygiene bags made of synthetic material (max. package size L 130 x B 90 x H 20 mm)
- satin finished
- powder-coated in HEWI colours DX (matt white), SC (matt dark grey pearl mica) and DC (matt black)

**HEWI Surfaces**

- ...60 DX matt white  
 XA Chr ...60 SC matt dark grey pearl mica  
 ...60 DC matt black

Item Number

Dimensions in mm / Specification



900.20.000XA

900.20.00040

900.20.00060



66823

**HEWI Toilet brush unit**

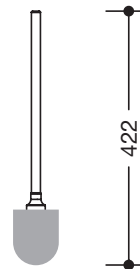
- consisting of holder, toilet brush container and toilet brush
- brush head can be replaced due to bayonet fixing
- black inner container can be removed for cleaning
- for wall mounting, concealed fixing
- including non-corrosive HEWI fixing material

- made of high-quality stainless steel, satin finished
- ø 89 mm, 440 mm high, 109 mm deep

- made of metal, high-quality chrome-plated
- ø 89 mm, 440 mm high, 106 mm deep

- made of metal, powder-coated in HEWI colours DX (matt white), SC (matt dark grey pearl mica) and DC (matt black)
- ø 89 mm, 440 mm high, 106 mm deep

**HEWI Insert for toilet brush unit**



805.20.020

100.20.01040

900.20.01060



921050

921051

921052

**HEWI Toilet brush**

- brush handle with replaceable brush head
- brush head easily replaceable by bayonet fixing
- 422 mm long, ø 76 mm

- brush handle made of high-quality stainless steel, satin finished
- brush handle chrome-plated

- brush handle powder-coated in HEWI colours DX (matt white), SC (matt dark grey pearl mica) and DC (matt black)

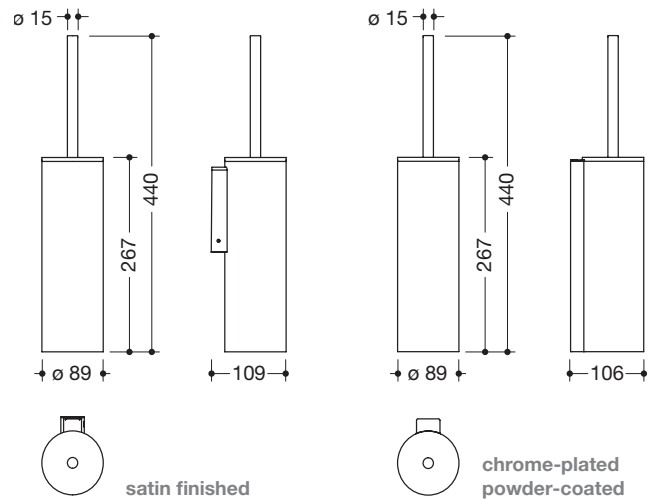
**HEWI Brush head, packing unit 1**

**HEWI Brush head, packing unit 5**

**HEWI Brush head, packing unit 25**

Item Number

Dimensions in mm / Specification



System 900

**900.20.001XA**

**900.20.00140**

**900.20.00160**



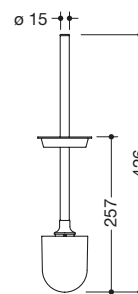
**HEWI Toilet brush unit with lid**

- consisting of holder, toilet brush container and toilet brush
- brush head can be replaced due to bayonet fixing
- inner container can be removed for cleaning
- for wall mounting, concealed fixing
- including non-corrosive HEWI fixing material

- made of high-quality stainless steel, satin finished
- ø 89 mm, 440 mm high, 109 mm deep

- made of metal, high-quality chrome-plated
- ø 89 mm, 440 mm high, 106 mm deep

- made of metal, powder-coated in HEWI colours DX (matt white), SC (matt dark grey pearl mica) and DC (matt black)
- ø 89 mm, 440 mm high, 106 mm deep



**900.20.020XA**

**900.20.02040**

**900.20.02060**



**HEWI Toilet brush**

- toilet brush with lid and replaceable brush head
- brush handle and lid made of high-quality stainless steel
- brush head easily replaceable by bayonet fixing
- brush head made of black polyamide with bristles in anthracite grey
- 426 mm long, brush head ø 76 mm

- satin finished
- chrome-plated
- powder-coated in HEWI colours DX (matt white), SC (matt dark grey pearl mica) and DC (matt black)

**921050**

**921051**

**921052**

- HEWI Brush head, packing unit 1**
- HEWI Brush head, packing unit 5**
- HEWI Brush head, packing unit 25**

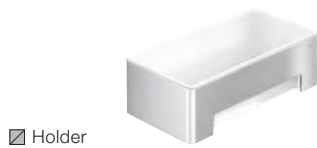
**HEWI Surfaces**

- XA Chr
- ...60 DX matt white
- ...60 SC matt dark grey pearl mica
- ...60 DC matt black

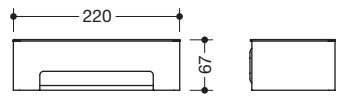
Detailed information about the spare parts can be found here:  
[www.hewi.com/en/spare-parts](http://www.hewi.com/en/spare-parts)

Item Number

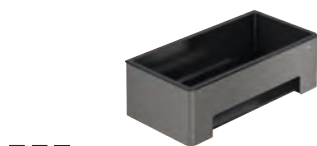
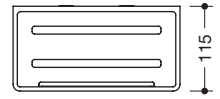
Dimensions in mm / Specification



- Holder
- Insert



- Holder
- Insert



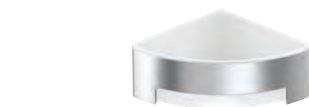
- ■ Holder
- ■ Insert

**900.03.001XA**  
**900.03.00140**  
**900.03.00160**

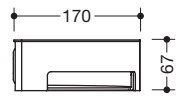
**HEWI Shower basket**

- made of high-quality stainless steel, for wall mounting
- insert made of high-quality synthetic material in HEWI colours 98 (signal white), 92 (anthracite grey) and 90 (jet black)
- 220 mm wide, 67 mm high and 115 mm deep
- including non-corrosive HEWI fixing material
- satin finished
- chrome-plated
- powder-coated in HEWI colours AS (matt white) with insert made of high-quality synthetic material in HEWI colour 98 (signal white) or powder-coated in HEWI colours CV (matt black) and ER (matt dark grey pearl mica) with insert made of high-quality synthetic material in HEWI colour 90 (jet black)

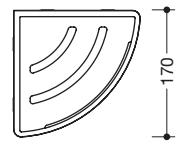
Please advise colour of insert resp. colour combination when ordering.



- Holder
- Insert



- Holder
- Insert



- ■ Holder
- ■ Insert

**900.03.002XA**  
**900.03.00240**  
**900.03.00260**

**HEWI Shower basket**

- made of high-quality stainless steel, for wall mounting
- insert made of high-quality synthetic material in HEWI colours 98 (signal white), 92 (anthracite grey) and 90 (jet black)
- 67 mm high, side lengths 170 mm
- including non-corrosive HEWI fixing material
- satin finished
- chrome-plated
- powder-coated in HEWI colours AS (matt white) with insert made of high-quality synthetic material in HEWI colour 98 (signal white) or powder-coated in HEWI colours CV (matt black) and ER (matt dark grey pearl mica) with insert made of high-quality synthetic material in HEWI colour 90 (jet black)

Please advise colour of insert resp. colour combination when ordering.

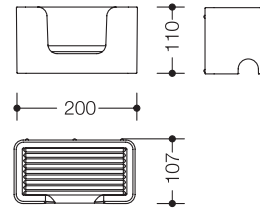
**HEWI Powder coating | Material combinations**

- ■ ...60 AS matt white | white synthetic material
- ■ ...60 ER matt dark grey pearl mica | black synthetic material
- ■ ...60 CV matt black | black synthetic material



Item Number

Dimensions in mm / Specification



**802.03.200**  
**802.03B200**

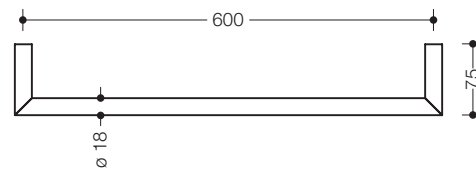
**HEWI Storage box**

- rectangular container with high sides and water run-off, opening to front
- anti-theft, non-slip storage surface
- for integration in the HEWI rail system  $\varnothing$  33 mm
- 200 mm wide, 110 mm high and 107 mm deep

- made of high-quality polyamide in 16 HEWI colours
- made of high-quality matt polyamide in 5 HEWI colours

Please advise colour when ordering.

System 900



**162.30.200XA**  
**162.30.20040**  
**162.30.20060**

**HEWI Bath towel rail**

- mitred tube
- c to c 600 mm, 75 mm deep,  $\varnothing$  18 mm
- for wall mounting, concealed fixing
- including non-corrosive HEWI fixing material

- made of high-quality stainless steel, satin finished
- made of metal, high-quality chrome-plated
- made of high-quality stainless steel, powder-coated in HEWI colours DX (matt white), SC (matt dark grey pearl mica) and DC (matt black)

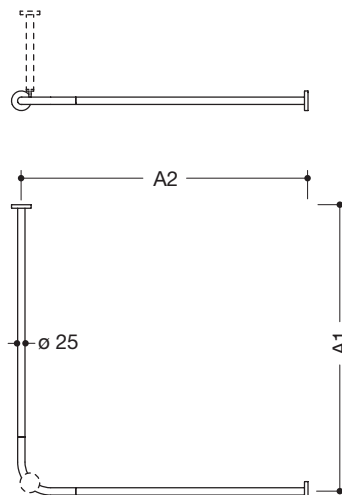
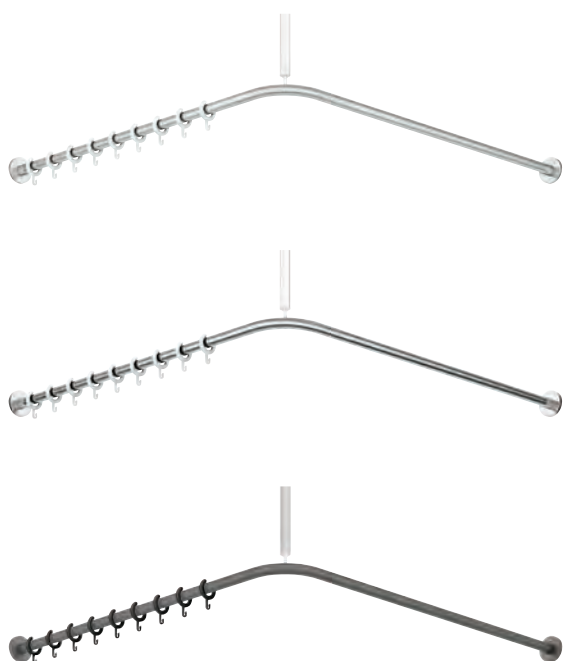


**HEWI Colours | Surfaces**

- |    |    |    |    |     |                                    |
|----|----|----|----|-----|------------------------------------|
|    |    |    |    |     | ...60 DX matt white                |
| 98 | 92 | 90 | XA | Chr | ...60 SC matt dark grey pearl mica |
|    |    |    |    |     | ...60 DC matt black                |

Item Number

Dimensions in mm / Specification



900.34.10..XA  
900.34.10..40  
900.34.10..60

900.34.100XA  
900.34.10040  
900.34.10060

900.34.101XA  
900.34.10140  
900.34.10160

900.34.102XA  
900.34.10240  
900.34.10260

900.34.103XA  
900.34.10340  
900.34.10360

900.34.104XA  
900.34.10440  
900.34.10460

900.34.10540  
900.34.10560

**New** 900.34.10SXA  
**New** 900.34.10S40  
900.34.10S60



**HEWI Shower curtain rail**

- rails made of high-quality stainless steel,  $\varnothing$  25 mm, roses  $\varnothing$  70 mm
- can be shortened at the ends to 320 mm on site
- fixing with roses to wall and ceiling, ceiling support required
- including non-corrosive and tested HEWI fixing material
- additional sealing of the drilling points possible with sealing tape (included in delivery)

- satin finished, white curtain rings
- chrome-plated, white curtain rings
- powder-coated in HEWI colours DX (matt white) with white curtain rings, SC (matt dark grey pearl mica) and DC (matt black) with black curtain rings

**for shower tray 800 x 800 mm**

- c to c 787 x 787 mm, with 16 curtain rings
- recommended HEWI standard width (F) 2300 mm

**for shower tray 900 x 900 mm**

- c to c 887 x 887 mm, with 18 curtain rings
- recommended HEWI standard width (F) 2500 mm

**for shower tray 1000 x 1000 mm**

- c to c 987 x 987 mm, with 20 curtain rings
- recommended HEWI standard width (F) 2900 mm

**for shower tray 1200 x 1200 mm**

- c to c 1187 x 1187 mm, with 24 curtain rings
- recommended HEWI standard width (F) 3500 mm

**for shower tray 1500 x 1500 mm**

- c to c 1487 x 1487 mm, with 28 curtain rings
- recommended HEWI standard width (F) 4000 mm

**for shower tray 2000 x 2000 mm**

- c to c 1987 x 1987 mm, with 36 curtain rings
- recommended HEWI standard width (F) 2 x 2500 mm

**HEWI Shower curtain rail, special lengths**

- do., with suitable number of curtain rings, length to order
- satin finished, white curtain rings
- chrome-plated, white curtain rings
- powder-coated in HEWI colours DX (matt white) with white curtain rings, SC (matt dark grey pearl mica) and DC (matt black) with black curtain rings

	A1	A2
min.	320 mm	320 mm
max.	1987 mm	1987 mm

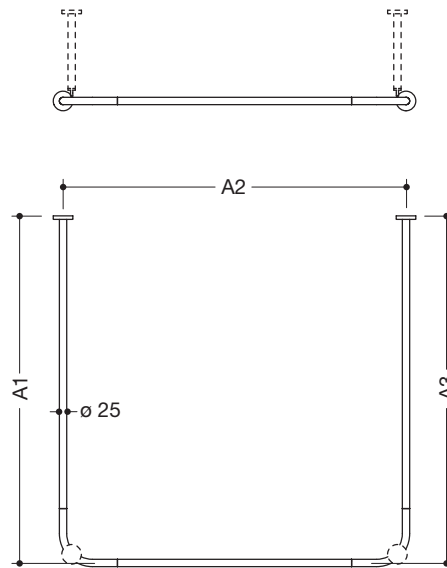
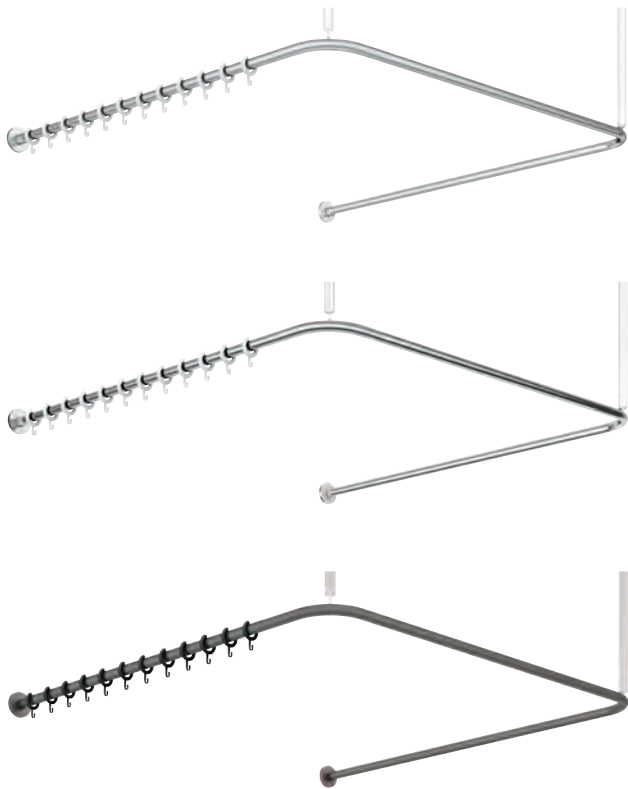
Please advise A1 and A2 when ordering.

921056  
921060  
6676..., 6797...  
900.34.0...

**HEWI Curtain rings, packing unit 5 pcs., white**  
**HEWI Curtain rings, packing unit 5 pcs., black**  
**HEWI Rose cap**  
**HEWI Ceiling support** to be ordered separately, see page 225  
**HEWI Shower curtain** see register Shower curtains

Item Number

Dimensions in mm / Specification



System 900

**HEWI Shower curtain rail**

- rails made of high-quality stainless steel,  $\varnothing$  25 mm, roses  $\varnothing$  70 mm
- can be shortened at the ends to 320 mm on site, middle rail not shortenable
- fixing with roses to wall and ceiling
- two ceiling supports required (max. 600 mm long)
- including non-corrosive and tested HEWI fixing material
- additional sealing of the drilling points possible with sealing tape (included in delivery)

- satin finished, white curtain rings
- chrome-plated, white curtain rings
- powder-coated in HEWI colours DX (matt white) with white curtain rings, SC (matt dark grey pearl mica) and DC (matt black) with black curtain rings

**for shower tray 1000 x 1000 mm**

- c to c 987 x 975 x 987 mm, with 28 curtain rings
- recommended HEWI standard width (F) 4000 mm

**for shower tray 1200 x 1200 mm**

- c to c 1187 x 1175 x 1187 mm, with 34 curtain rings
- recommended HEWI standard width (F) 5000 mm

**for shower tray 1500 x 1500 mm**

- c to c 1487 x 1475 x 1487 mm, with 46 curtain rings
- recommended HEWI standard width (F) 2 x 3000 mm

900.34.30..XA  
900.34.30..40  
900.34.30..60

900.34.300XA  
900.34.30040  
900.34.30060

900.34.301XA  
900.34.30140  
900.34.30160

900.34.302XA  
900.34.30240  
900.34.30260



900.34.30SXA

**HEWI Shower curtain rail, special lengths**

- do., with suitable number of curtain rings, length to order
- made of stainless steel, satin finished



	A1	A2	A3
min.	320 mm	525 mm	320 mm
max.	1700 mm	1675 mm	1700 mm

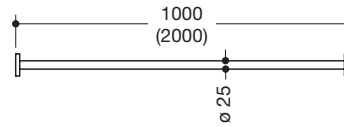
**HEWI Colours | Surfaces**

- 98 XA Chr ...60 DX matt white
- ...60 SC matt dark grey pearl mica
- ...60 DC matt black

Detailed information about the spare parts can be found here:  
[www.hewi.com/en/spare-parts](http://www.hewi.com/en/spare-parts)

Item Number

Dimensions in mm / Specification

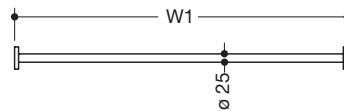


**HEWI Shower curtain rail**

- made of stainless steel, rail  $\varnothing$  25 mm, roses  $\varnothing$  70 mm
- can be shortened at the ends to 200 mm on site
- recommended curtain width 1200 mm
- including non-corrosive and tested HEWI fixing material for wall mounting, additional sealing of the drilling points possible with sealing tape (included in delivery)
- length 1000 mm, with 10 curtain rings
- satin finished, white curtain rings
- chrome-plated, white curtain rings
- powder-coated in HEWI colours DX (matt white) with white curtain rings, SC (matt dark grey pearl mica) and DC (matt black) with black curtain rings
- length 2000 mm, with 20 curtain rings
- chrome-plated, white curtain rings
- powder-coated in HEWI colours DX (matt white) with white curtain rings, SC (matt dark grey pearl mica) and DC (matt black) with black curtain rings

900.34.400XA  
900.34.40040  
900.34.40060

900.34.40340  
900.34.40360



**HEWI Shower curtain rail, special length**

- do., length to order from 400 mm to 2000 mm
- with suitable number of curtain rings
- satin finished, white curtain rings
- chrome-plated, white curtain rings
- powder-coated in HEWI colours DX (matt white) with white curtain rings, SC (matt dark grey pearl mica) and DC (matt black) with black curtain rings

**New** 900.34.40SXA  
**New** 900.34.40S40  
**New** 900.34.40S60

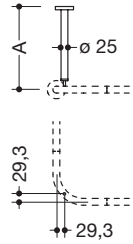


921056  
921060  
6676..., 6797...  
900.34.0...

**HEWI Curtain rings, packing unit 5 pcs., white**  
**HEWI Curtain rings, packing unit 5 pcs., black**  
**HEWI Rose cap**  
**HEWI Ceiling support** to be ordered separately, see right  
**HEWI Shower curtain** see register Shower curtains

Item Number

Dimensions in mm / Specification



**HEWI Ceiling support**

- made of stainless steel, rail ø 25 mm, rose ø 70 mm
- can be shortened at the rose to 200 mm on site
- fixed onto the ceiling with rose
- including non-corrosive and tested HEWI fixing material
- additional sealing of the drilling points possible with sealing tape (included in delivery)
- satin finished
- chrome-plated
- powder-coated in HEWI colours DX (matt white), SC (matt dark grey pearl mica) and DC (matt black)

**900.34.0...XA**  
**900.34.0...40**  
**900.34.0...60**

A = 300 mm (curtain rail - ceiling axle)

**900.34.000XA**  
**900.34.00040**  
**900.34.00060**

A = 400 mm (curtain rail - ceiling axle)

**900.34.001XA**  
**900.34.00140**  
**900.34.00160**

A = 500 mm (curtain rail - ceiling axle)

**900.34.002XA**  
**900.34.00240**  
**900.34.00260**

A = 600 mm (curtain rail - ceiling axle)

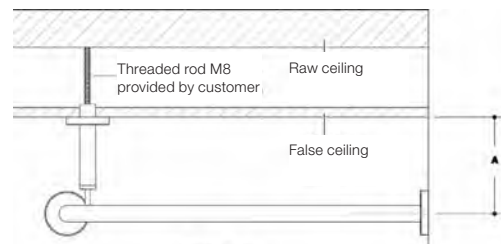
**900.34.003XA**  
**900.34.00340**  
**900.34.00360**

special length, A = min. 150 mm - 299 mm (non-shortenable)

**New** **900.34.00SXA**  
**New** **900.34.00S40**  
**900.34.00S60**

special length, A = 301 mm - max. 1500 mm

**New** **900.34.01SXA**  
**New** **900.34.01S40**  
**900.34.01S60**



**900.34.02SXA**

**HEWI Ceiling support for suspended ceilings**

- serves to fix curtain rails to suspended ceilings
- made of high-quality stainless steel, satin finished
- length to order from 150 mm to 1500 mm
- rail ø 25 mm, rose ø 70 mm
- fixing directly to threaded rod M8 provided by customer
- including non-corrosive HEWI fixing material der rose

c to c A (curtain rail - ceiling axle)	
150 mm - 299 mm	
300 mm - 999 mm	
1000 mm - 1500 mm	

Please indicate A when ordering.

**HEWI Colours | Surfaces**

- 98 XA Chr **...60 DX** matt white
- ...60 SC** matt dark grey pearl mica
- ...60 DC** matt black

Detailed information about the spare parts can be found here:  
[www.hewi.com/en/spare-parts](http://www.hewi.com/en/spare-parts)

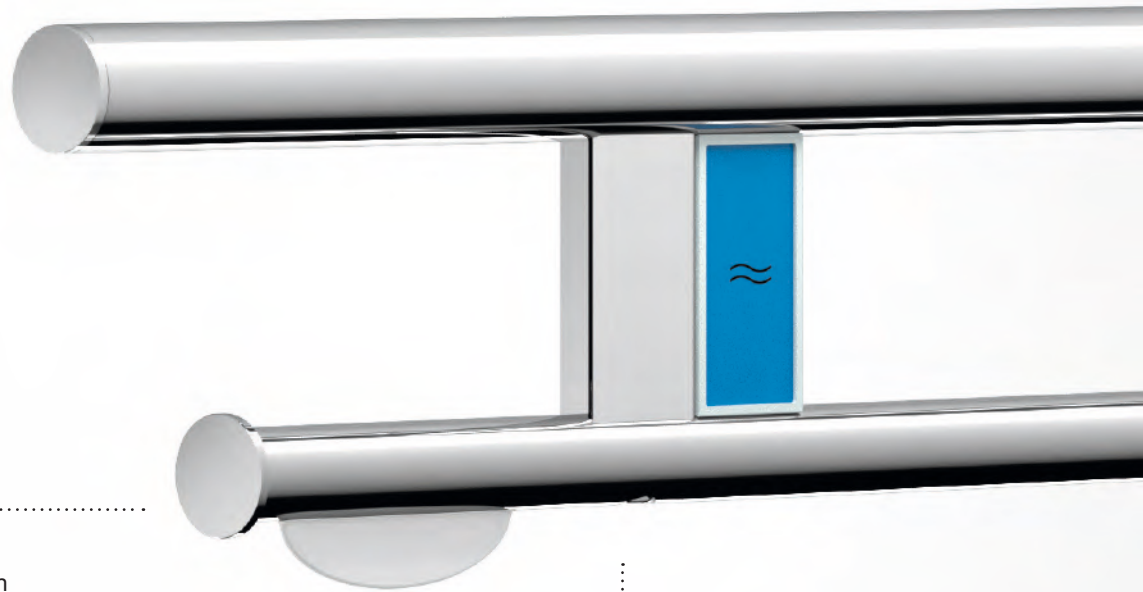
# System 900 Support

## MOBILE SOLUTION

- Mobile hinged support rail is clicked into position in a permanently mounted assembly plate as required
- Assembly and dismantling does not require any tools

## HYGIENIC DESIGN

- Minimum number of components, few joints
- Precise transitions thanks to laser technology
- Easy-care, leaning agent-resistant materials
- Pore-free surfaces
- Concealed fixing



## CONFIGURED

- Configured depending on requirements
- Assortment comprises minimalist Mono hinged support rail through to Duo hinged support rail with an integrated radio flushing solution and toilet roll holder

## INTEGRATED FUNCTIONS

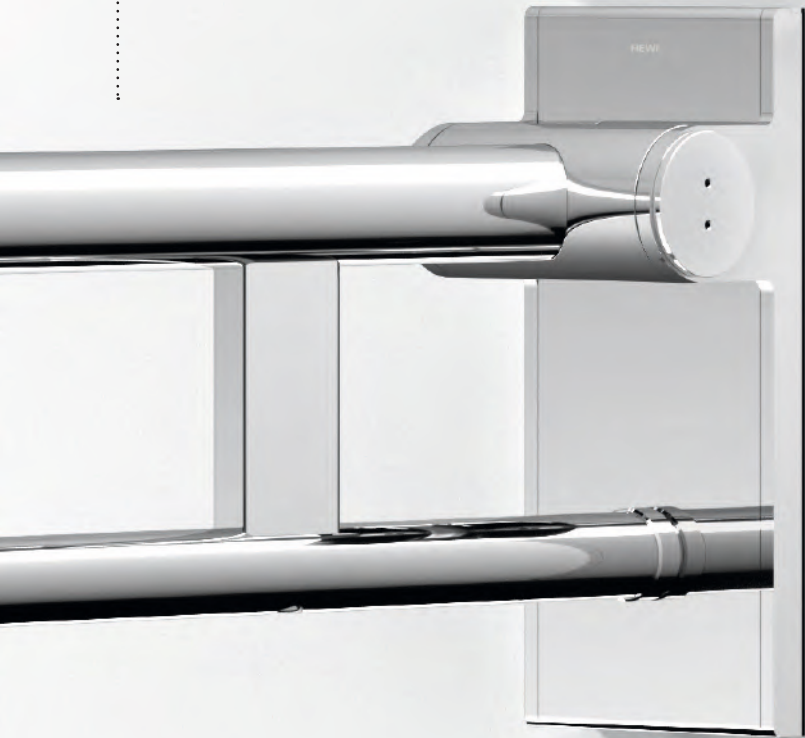
- Flushing solution, freely assignable function button and toilet roll holder are integrated into the hinged support rail as an option
- Easy cleaning
- No retrofitting necessary

**SECURE GRIP**

- Additional strengthening ensures extreme stability and reliable hold
- The cross-section is perfectly shaped for the human hand
- Round tube design offers a pleasant and secure hold

**WELL THOUGHT-THROUGH TECHNOLOGY**

- Maintenance-free brake softens the lowering of the hinged support rail and minimises the risk of injury
- The hinged support rail only lowers automatically at a setting of 45°
- Defined pre-set stopper supports the wall
- Maintenance-free, permanently smooth-running joint (pre-set ex works)



**DESIGN VARIANTS**

- 2 design variants

**EASY INSTALLATION**

- Proven fixing technology
- Safe and reliable
- Borehole tolerance allows compensation

**SEALING ELEMENT**

- wall plate can be supplemented with a sealing tape (included in the delivery scope)
- Seals the fixing element reliably toward the wall
- Compensates joints or unevenness on walls

## WALL PLATES



### Design A

- ideal implementation of the language of form of the System 900
- available as a mono and duo variant
- metallic stopper element ensures maximum product rigidity and offers the user a secure handling feeling
- maintenance-free, permanently smooth-running joint, pre-set ex works
- at a setting of 45°, the hinged support rail lowers automatically
- in the upper position (tilt < 45°) a defined friction force of the hinged support rail prevents unintentional lowering/triggering
- a defined stopper prevents the hinged support rail banging against the wall
- available as a tool-free mobile variant
- als werkzeuglose, mobile Variante available



### Design B

- streamlined design alternatives
- available as a mono and duo variant
- maintenance-free, permanently smooth-running joint, pre-set ex works
- at a setting of 45°, the hinged support rail lowers automatically
- in the upper position (tilt < 45°) a defined friction force of the hinged support rail prevents unintentional lowering/triggering



### Height adjustable plate

- is used to hold hinged support rails 802.50..., 900.50... and 801.50...
- height adjustment, in order to be able to adapt the required support height to the user
- adjustment downwards, pull out locking bolt, adjustment upwards possible without pulling out the locking bolt
- adjustment range 200 mm
- 153 mm wide, 537 mm high, 30 mm deep
- made of aluminium powder-coated in HEWI colours DX (matt signal white) and FV (matt pure white)
- fixing material BM10.2 to BM18.2, please order 2x each separately, see below and page 738

## FIXING MATERIAL

### HEWI Fixing material for hinged support rails Design A and Design B to be ordered separately

for fixing on walls made of:

#### BM17.2

· concrete > C20/C25, national technical approval number: ETA-11/0493

**Supplied with:** 2 stainless steel screws M 10 x 30,  
2 internal thread sleeves M 10 x 110

#### BM10.2

· concrete > C20/C25

**Supplied with:** 2 stainless steel countersunk bolts ø 10 x 95,  
2 plugs HILTI HUD 14 x 70

#### BM11.2

· autoclaved aerated concrete (> P2)

**Supplied with:** 2 stainless steel screws M10 x 30,  
2 mesh sleeves HIT-SC 22 x 85,  
2 internal thread sleeves HIT-IC

#### BM12.2

· lightweight walls with rear lining made of laminated timber boards ...

**Supplied with:** 2 stainless steel countersunk bolts ø 10 x 95

#### BM13.2

· lightweight walls with integrated steel plates ...

**Supplied with:** 2 stainless steel screws M10 x 60

#### BM18.2

· hollow concrete block, vertically perforated bricks, solid bricks,...,  
national technical approval number: ETA-13/1036

**Supplied with:** 2 stainless steel screws M10 x 30,  
2 mesh sleeves HIT-SC 18 x 85,  
2 internal thread sleeves HIT-IC



## INTEGRATED ADDITIONAL FUNCTIONS

**Toilet roll holder**

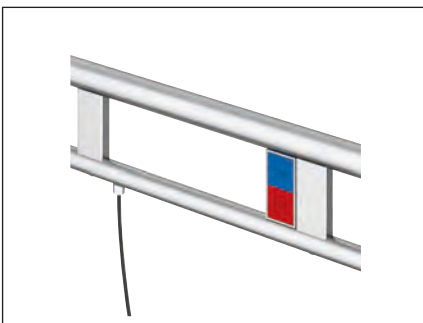
- with integrated rotation control

**WC flushing mechanism (radio-controlled)**

- blue button (wave symbol) serves to trigger the WC flush (convex, tangible pressure point)
- transmission frequency 868.4 MHz
- suitable for radio WC flushing systems by Geberit, Mepa, Viega, Sanit, Friatec, TECE and Grohe

**WC flushing mechanism (model E)**

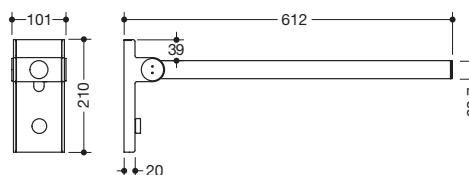
- blue button (wave symbol) serves to trigger the WC flush (convex, tangible pressure point)
- cable with free cable ends for wall connection
- incl. white cover for the flush-mounted socket
- control voltage max. 30 V = SELV, PELV, switching current up to max. 2 A
- suitable for all standard UP flushing cisterns with an electrical control unit

**Toilet flushing solution/function button (model E)**

- blue button (wave symbol) serves to trigger the WC flush, red button (bell symbol) serves to trigger a freely definable function (the function button does not meet the emergency call requirements according to DIN VDE 0834-1) (convex, tangible pressure points)
- cable with free cable ends for wall connection
- including white cover for flush-mounted box
- control voltage max. 30 V = SELV, PELV, switching current up to max. 2 A
- suitable for all standard concealed cisterns with electrical control

Item Number

Dimensions in mm / Specification



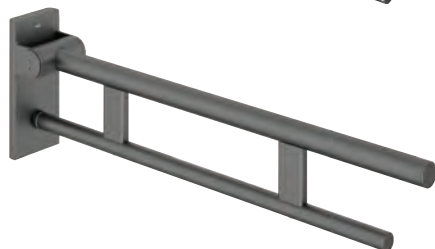
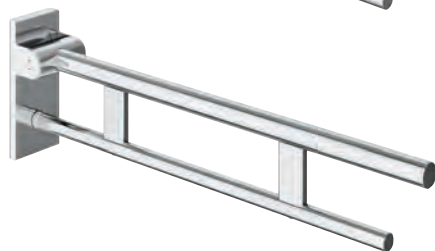
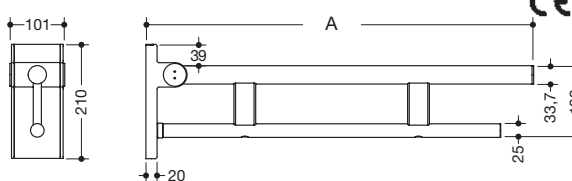
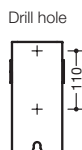
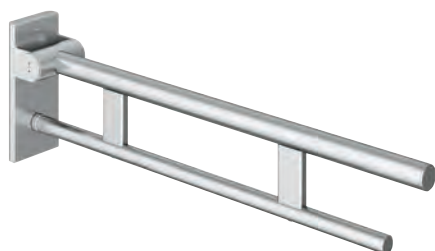
900.50.100XA  
900.50.10040  
900.50.10060



**HEWI Hinged support rail Mono, Design A, variant 600**

- with one horizontal, round gripping level
- can be folded upwards and, with friction device, downwards
- maintenance free, permanently smooth and easy moving joint, preset in the factory
- from 45° tilt the hinged support rail lowers automatically
- in the upper position (tilt < 45°) a defined friction force secures the hinged support rail against accidental lowering/release
- a defined stop prevents the hinged support rail from hitting the wall
- projection 612 mm, 210 mm high and 101 mm wide, rail  $\varnothing$  33,7 mm
- made of stainless steel, loading capacity 100 kg
- for wall mounting with non-corrosive and tested HEWI fixing material for different wall constructions (to be ordered separately)
- incl. sealing tape for sealing the fixing points
- fulfils highest cleaning product resistance and hygiene requirements
- fulfils the requirements according to DIN 18040

- satin finished
- chrome-plated
- powder-coated in HEWI colours DX (matt white), SC (matt dark grey pearl mica) and DC (matt black)



900.50...XA  
900.50...40  
900.50...60



**HEWI Hinged support rail Duo, Design A**

- two parallel, round gripping levels arranged on top of each other
- can be folded upwards and, with friction device, downwards
- maintenance free, permanently smooth and easy moving joint, preset in the factory
- from 45° tilt the hinged support rail lowers automatically
- in the upper position (tilt < 45°) a defined friction force secures the hinged support rail against accidental lowering/release
- a defined stop prevents the hinged support rail from hitting the wall
- maximum product stiffness increases stability and gives the user a secure grip feeling
- 210 mm high and 101 mm wide
- top rail  $\varnothing$  33,7 mm, bottom rail  $\varnothing$  25 mm
- made of stainless steel, loading capacity 100 kg
- for wall mounting with non-corrosive and tested HEWI fixing material for different wall constructions (to be ordered separately)
- incl. sealing tape for sealing the fixing points
- fulfils highest cleaning product resistance and hygiene requirements
- floor supports 900.50.020... and 900.50.021... can be retrofitted
- fulfils the requirements acc. to DIN 18040, ÖNORM B1600/1601 and SIA 500

- satin finished
- chrome-plated
- powder-coated in HEWI colours DX (matt white), SC (matt dark grey pearl mica) and DC (matt black)

All variants asee pages 232-237

**HEWI Fixing material BM10.2 to BM18.2 to be ordered separately**  
see pages 228 and 738

**HEWI Height adjustable plate** see pages 228 and 319

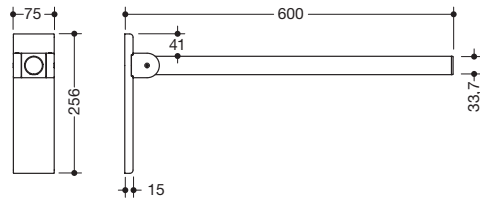
**Ordering aid for height adjustable plate** see online catalogue

Item Number

Dimensions in mm / Specification



Drill hole



900.50.215XA  
900.50.21540  
900.50.21560



**HEWI Hinged support rail Mono, Design B**

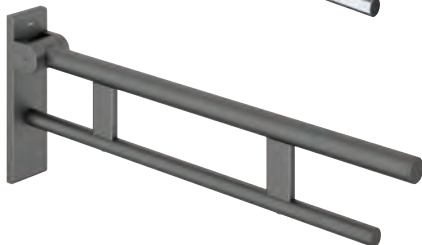
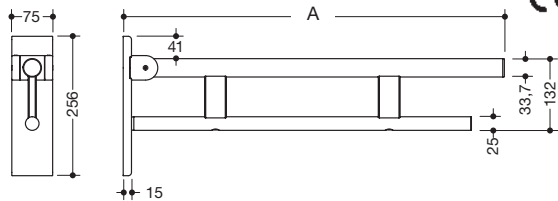
- with one horizontal, round gripping level
- can be folded upwards and, with friction device, downwards
- maintenance free, permanently smooth and easy moving joint, preset in the factory
- from 45° tilt the hinged support rail lowers automatically
- in the upper position (tilt < 45°) a defined friction force secures the hinged support rail against accidental lowering/release
- projection 600 mm, 256 mm high and 75 mm wide, rail ø 33,7 mm
- made of stainless steel, loading capacity 75 kg
- wall plate made of polyamide with integrated steel core and satin finished stainless steel cover
- for wall mounting with non-corrosive and tested HEWI fixing material for different wall constructions (to be ordered separately)
- incl. sealing tape for sealing the fixing points
- fulfils highest cleaning product resistance and hygiene requirements
- fulfils the requirements according to DIN 18040

- satin finished
- chrome-plated
- powder-coated in HEWI colours DX (matt white), SC (matt dark grey pearl mica) and DC (matt black)

System 900



Drill hole



900.50....XA  
900.50....40  
900.50....60



**HEWI Hinged support rail Duo, Design B**

- two parallel, round gripping levels arranged on top of each other
- can be folded upwards and, with friction device, downwards
- maintenance free, permanently smooth and easy moving joint, preset in the factory
- from 45° tilt the hinged support rail lowers automatically
- in the upper position (tilt < 45°) a defined friction force secures the hinged support rail against accidental lowering/release
- 256 mm high and 75 mm wide
- top rail ø 33,7 mm, bottom rail ø 25 mm
- made of stainless steel, loading capacity 100 kg
- wall plate made of polyamide with integrated steel core and satin finished stainless steel cover
- for wall mounting with non-corrosive and tested HEWI fixing material for different wall constructions (to be ordered separately)
- incl. sealing tape for sealing the fixing points
- fulfils highest cleaning product resistance and hygiene requirements
- floor supports 900.50.020... and 900.50.021... can be retrofitted
- fulfils the requirements acc. to DIN 18040, ÖNORM B1600/1601 and SIA 500

- satin finished
- chrome-plated
- powder-coated in HEWI colours DX (matt white), SC (matt dark grey pearl mica) and DC (matt black)

All variants a see pages 232-237

**HEWI Surfaces**





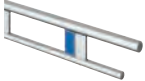


- ...60 DX matt white
- ...60 SC matt dark grey pearl mica
- ...60 DC matt black

**HEWI Fixing material BM10.2 to BM18.2 to be ordered separately** see pages 228 and 738

**HEWI Height adjustable plate** see pages 228 and 319





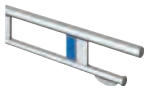
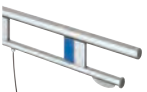

**Ordering aid for height adjustable plate** see online catalogue

HINGED SUPPORT RAIL DUO, DESIGN A

Function	Version (seen from user's view)	Variant	Wall plate Design A		
			 satin finished	 chrome-plated	 powder-coated
		600 (A = 612 mm)	900.50.101XA	900.50.10140	900.50.10160
		700 (A = 712 mm)	900.50.102XA	900.50.10240	900.50.10260
		750 (A = 762 mm)	900.50.103XA	900.50.10340	900.50.10360
		850 (A = 862 mm)	900.50.104XA	900.50.10440	900.50.10460
		900 (A = 912 mm)	900.50.105XA	900.50.10540	900.50.10560
	left	700 (A = 712 mm)	900.50.118XA	900.50.11840	900.50.11860
		750 (A = 762 mm)	900.50.119XA	900.50.11940	900.50.11960
		850 (A = 862 mm)	900.50.120XA	900.50.12040	900.50.12060
		900 (A = 912 mm)	900.50.121XA	900.50.12140	900.50.12160
	right	700 (A = 712 mm)	900.50.122XA	900.50.12240	900.50.12260
		750 (A = 762 mm)	900.50.123XA	900.50.12340	900.50.12360
		850 (A = 862 mm)	900.50.124XA	900.50.12440	900.50.12460
		900 (A = 912 mm)	900.50.125XA	900.50.12540	900.50.12560
	left	700 (A = 712 mm)	900.50.142XA	900.50.14240	900.50.14260
		750 (A = 762 mm)	900.50.143XA	900.50.14340	900.50.14360
		850 (A = 862 mm)	900.50.144XA	900.50.14440	900.50.14460
		900 (A = 912 mm)	900.50.145XA	900.50.14540	900.50.14560
	right	700 (A = 712 mm)	900.50.146XA	900.50.14640	900.50.14660
		750 (A = 762 mm)	900.50.147XA	900.50.14740	900.50.14760
		850 (A = 862 mm)	900.50.148XA	900.50.14840	900.50.14860
		900 (A = 912 mm)	900.50.149XA	900.50.14940	900.50.14960
	left	700 (A = 712 mm)	900.50.150XA	900.50.15040	900.50.15060
		750 (A = 762 mm)	900.50.151XA	900.50.15140	900.50.15160
		850 (A = 862 mm)	900.50.152XA	900.50.15240	900.50.15260
		900 (A = 912 mm)	900.50.153XA	900.50.15340	900.50.15360
	right	700 (A = 712 mm)	900.50.154XA	900.50.15440	900.50.15460
		750 (A = 762 mm)	900.50.155XA	900.50.15540	900.50.15560
		850 (A = 862 mm)	900.50.156XA	900.50.15640	900.50.15660
		900 (A = 912 mm)	900.50.157XA	900.50.15740	900.50.15760

HEWI Fixing material BM10.2 to BM18.2 to be ordered separately  
 see pages 228 and 738  
 HEWI Height adjustable plate see pages 228 and 319  
 Ordering aid for height adjustable plate see online catalogue

## HINGED SUPPORT RAIL DUO WITH TOILET ROLL HOLDER, DESIGN A

Function	Version (seen from user's view)	Variant	Wall plate Design A		
			 satin finished	 chrome-plated	 powder-coated
		700 (A = 712 mm)	900.50.106XA	900.50.10640	900.50.10660
		750 (A = 762 mm)	900.50.107XA	900.50.10740	900.50.10760
		850 (A = 862 mm)	900.50.108XA	900.50.10840	900.50.10860
		900 (A = 912 mm)	900.50.109XA	900.50.10940	900.50.10960
	left	700 (A = 712 mm)	900.50.110XA	900.50.11040	900.50.11060
		750 (A = 762 mm)	900.50.111XA	900.50.11140	900.50.11160
		850 (A = 862 mm)	900.50.112XA	900.50.11240	900.50.11260
		900 (A = 912 mm)	900.50.113XA	900.50.11340	900.50.11360
	right	700 (A = 712 mm)	900.50.114XA	900.50.11440	900.50.11460
		750 (A = 762 mm)	900.50.115XA	900.50.11540	900.50.11560
		850 (A = 862 mm)	900.50.116XA	900.50.11640	900.50.11660
		900 (A = 912 mm)	900.50.117XA	900.50.11740	900.50.11760
	left	700 (A = 712 mm)	900.50.126XA	900.50.12640	900.50.12660
		750 (A = 762 mm)	900.50.127XA	900.50.12740	900.50.12760
		850 (A = 862 mm)	900.50.128XA	900.50.12840	900.50.12860
		900 (A = 912 mm)	900.50.129XA	900.50.12940	900.50.12960
	right	700 (A = 712 mm)	900.50.130XA	900.50.13040	900.50.13060
		750 (A = 762 mm)	900.50.131XA	900.50.13140	900.50.13160
		850 (A = 862 mm)	900.50.132XA	900.50.13240	900.50.13260
		900 (A = 912 mm)	900.50.133XA	900.50.13340	900.50.13360
	left	700 (A = 712 mm)	900.50.134XA	900.50.13440	900.50.13460
		750 (A = 762 mm)	900.50.135XA	900.50.13540	900.50.13560
		850 (A = 862 mm)	900.50.136XA	900.50.13640	900.50.13660
		900 (A = 912 mm)	900.50.137XA	900.50.13740	900.50.13760
	right	700 (A = 712 mm)	900.50.138XA	900.50.13840	900.50.13860
		750 (A = 762 mm)	900.50.139XA	900.50.13940	900.50.13960
		850 (A = 862 mm)	900.50.140XA	900.50.14040	900.50.14060
		900 (A = 912 mm)	900.50.141XA	900.50.14140	900.50.14160

## HEWI Surfaces





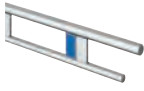
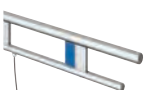

 ...60 DX matt white  
 XA Chr  ...60 SC matt dark grey pearl mica  
 ...60 DC matt black

HEWI Fixing material BM10.2 to BM18.2 to be ordered separately  
see pages 228 and 738

HEWI Height adjustable plate see pages 228 and 319






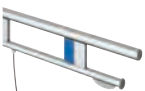
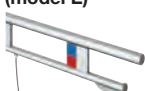
Ordering aid for height adjustable plate see online catalogue

HINGED SUPPORT RAIL DUO, DESIGN B

Function	Version (seen from user's view)	Projection A	Wall plate Design B		
			 satin finished	 chrome-plated	 powder-coated
		600 mm	900.50.158XA	900.50.15840	900.50.15860
		700 mm	900.50.159XA	900.50.15940	900.50.15960
		750 mm	900.50.160XA	900.50.16040	900.50.16060
		850 mm	900.50.161XA	900.50.16140	900.50.16160
		900 mm	900.50.162XA	900.50.16240	900.50.16260
	left	700 mm	900.50.175XA	900.50.17540	900.50.17560
		750 mm	900.50.176XA	900.50.17640	900.50.17660
		850 mm	900.50.177XA	900.50.17740	900.50.17760
		900 mm	900.50.178XA	900.50.17840	900.50.17860
	right	700 mm	900.50.179XA	900.50.17940	900.50.17960
		750 mm	900.50.180XA	900.50.18040	900.50.18060
		850 mm	900.50.181XA	900.50.18140	900.50.18160
		900 mm	900.50.182XA	900.50.18240	900.50.18260
	left	700 mm	900.50.199XA	900.50.19940	900.50.19960
		750 mm	900.50.200XA	900.50.20040	900.50.20060
		850 mm	900.50.201XA	900.50.20140	900.50.20160
		900 mm	900.50.202XA	900.50.20240	900.50.20260
	right	700 mm	900.50.203XA	900.50.20340	900.50.20360
		750 mm	900.50.204XA	900.50.20440	900.50.20460
		850 mm	900.50.205XA	900.50.20540	900.50.20560
		900 mm	900.50.206XA	900.50.20640	900.50.20660
	left	700 mm	900.50.207XA	900.50.20740	900.50.20760
		750 mm	900.50.208XA	900.50.20840	900.50.20860
		850 mm	900.50.209XA	900.50.20940	900.50.20960
		900 mm	900.50.210XA	900.50.21040	900.50.21060
	right	700 mm	900.50.211XA	900.50.21140	900.50.21160
		750 mm	900.50.212XA	900.50.21240	900.50.21260
		850 mm	900.50.213XA	900.50.21340	900.50.21360
		900 mm	900.50.214XA	900.50.21440	900.50.21460

HEWI Fixing material BM10.2 to BM18.2 to be ordered separately  
 see pages 228 and 738  
 HEWI Height adjustable plate see pages 228 and 319  
 Ordering aid for height adjustable plate see online catalogue

## HINGED SUPPORT RAIL DUO WITH TOILET ROLL HOLDER, DESIGN B

Function	Version (seen from user's view)	Projection A	Wall plate Design B		
			 satin finished	 chrome-plated	 powder-coated
		700 mm	900.50.163XA	900.50.16340	900.50.16360
		750 mm	900.50.164XA	900.50.16440	900.50.16460
		850 mm	900.50.165XA	900.50.16540	900.50.16560
		900 mm	900.50.166XA	900.50.16640	900.50.16660
	left	700 mm	900.50.167XA	900.50.16740	900.50.16760
		750 mm	900.50.168XA	900.50.16840	900.50.16860
		850 mm	900.50.169XA	900.50.16940	900.50.16960
		900 mm	900.50.170XA	900.50.17040	900.50.17060
	right	700 mm	900.50.171XA	900.50.17140	900.50.17160
		750 mm	900.50.172XA	900.50.17240	900.50.17260
		850 mm	900.50.173XA	900.50.17340	900.50.17360
		900 mm	900.50.174XA	900.50.17440	900.50.17460
	left	700 mm	900.50.183XA	900.50.18340	900.50.18360
		750 mm	900.50.184XA	900.50.18440	900.50.18460
		850 mm	900.50.185XA	900.50.18540	900.50.18560
		900 mm	900.50.186XA	900.50.18640	900.50.18660
	right	700 mm	900.50.187XA	900.50.18740	900.50.18760
		750 mm	900.50.188XA	900.50.18840	900.50.18860
		850 mm	900.50.189XA	900.50.18940	900.50.18960
		900 mm	900.50.190XA	900.50.19040	900.50.19060
	left	700 mm	900.50.191XA	900.50.19140	900.50.19160
		750 mm	900.50.192XA	900.50.19240	900.50.19260
		850 mm	900.50.193XA	900.50.19340	900.50.19360
		900 mm	900.50.194XA	900.50.19440	900.50.19460
	right	700 mm	900.50.195XA	900.50.19540	900.50.19560
		750 mm	900.50.196XA	900.50.19640	900.50.19660
		850 mm	900.50.197XA	900.50.19740	900.50.19760
		900 mm	900.50.198XA	900.50.19840	900.50.19860

## HEWI Surfaces

			...60 DX matt white
XA	Chr		...60 SC matt dark grey pearl mica
			...60 DC matt black

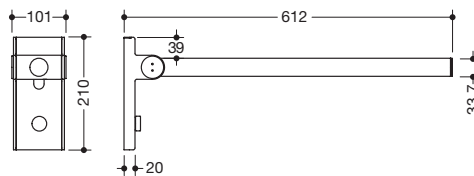
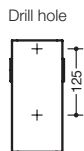
HEWI Fixing material BM10.2 to BM18.2 to be ordered separately  
see pages 228 and 738

HEWI Height adjustable plate see pages 228 and 319

Ordering aid for height adjustable plate see online catalogue

Item Number

Dimensions in mm / Specification



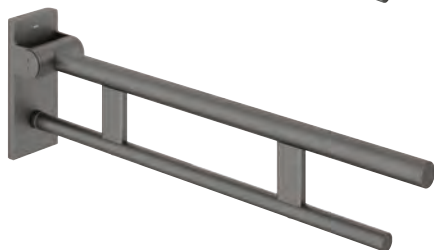
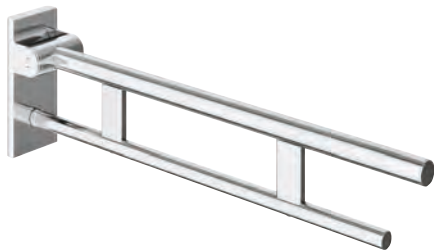
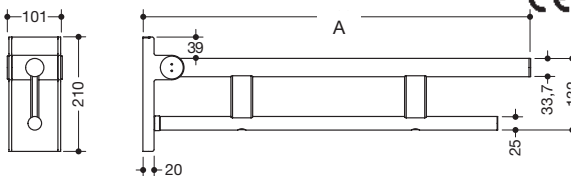
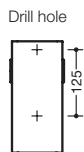
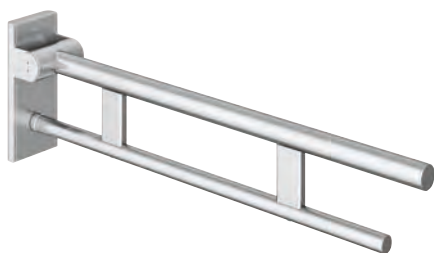
900.50.400XA  
900.50.40040  
900.50.40060



**HEWI Mobile hinged support rail Mono, Design A, variant 600**

- with one horizontal, round gripping level
- can be folded upwards and, with friction device, downwards
- maintenance free, permanently smooth and easy moving joint, preset in the factory
- from 45° tilt the hinged support rail lowers automatically
- in the upper position (tilt < 45°) a defined friction force secures the hinged support rail against accidental lowering/release
- a defined stop prevents the hinged support rail from hitting the wall
- made of stainless steel, for mobile use, loading capacity 100 kg
- for easy and flexible retrofitting on pre-assembled HEWI mounting plate (900.50.001..., to be ordered separately)
- toolless and quick installation by simple attachment of the mobile hinged support rail, additionally secured with fastening screw
- projection 612 mm, 210 mm high and 101 mm wide, rail ø 33,7 mm
- sealing tape for sealing the fixing points is included in the scope of supply of the mounting plate
- fulfils the requirements acc. to DIN 18040

- satin finished
- chrome-plated
- powder-coated in HEWI colours DX (matt white), SC (matt dark grey pearl mica) and DC (matt black)



900.50.4...XA  
900.50.4...40  
900.50.4...60



**HEWI Mobile hinged support rail Duo, Design A**

- two parallel, round gripping levels arranged on top of each other
- can be folded upwards and, with friction device, downwards
- maintenance free, permanently smooth and easy moving joint, preset in the factory
- from 45° tilt the hinged support rail lowers automatically
- in the upper position (tilt < 45°) a defined friction force secures the hinged support rail against accidental lowering/release
- a defined stop prevents the hinged support rail from hitting the wall
- maximum product stiffness increases stability and gives the user a secure grip feeling
- made of stainless steel, for mobile use, loading capacity 100 kg
- for easy and flexible retrofitting on pre-assembled HEWI mounting plate (900.50.001..., to be ordered separately)
- toolless and quick installation by simple attachment of the mobile hinged support rail, additionally secured with fastening screw
- 210 mm high and 101 mm wide
- top rail ø 33,7 mm, bottom rail ø 25 mm
- sealing tape for sealing the fixing points is included in the scope of supply of the mounting plate
- floor supports 900.50.020... and 900.50.021... can be retrofitted
- fulfils the requirements acc. to ÖNORM B1600/1601 and SIA 500

- satin finished
- chrome-plated
- powder-coated in HEWI colours DX (matt white), SC (matt dark grey pearl mica) and DC (matt black)

**All variants ansee right**

**HEWI Fixing material BM10.2 to BM18.2 to be ordered separately**

see pages 228 and 738

**HEWI Mounting plate, cover** see page 238, 239








**HEWI Height adjustable plate** see pages 228 and 319

**Ordering aid for mobile hinged support rails** see online catalogue

**Ordering aid for height adjustable plate** see online catalogue



## MOBILE HINGED SUPPORT RAIL DUO, DESIGN A

Function	Version (seen from user's view)	Variant	Wall plate Design A		
			 satin finished	 chrome-plated	 powder-coated
		600 (A = 612 mm)	900.50.401XA	900.50.40140	900.50.40160
		700 (A = 712 mm)	900.50.402XA	900.50.40240	900.50.40260
		750 (A = 762 mm)	900.50.403XA	900.50.40340	900.50.40360
		850 (A = 862 mm)	900.50.404XA	900.50.40440	900.50.40460
		900 (A = 912 mm)	900.50.405XA	900.50.40540	900.50.40560
		700 (A = 712 mm)	900.50.406XA	900.50.40640	900.50.40660
		750 (A = 762 mm)	900.50.407XA	900.50.40740	900.50.40760
		850 (A = 862 mm)	900.50.408XA	900.50.40840	900.50.40860
		900 (A = 912 mm)	900.50.409XA	900.50.40940	900.50.40960
	left	700 (A = 712 mm)	900.50.418XA	900.50.41840	900.50.41860
		750 (A = 762 mm)	900.50.419XA	900.50.41940	900.50.41960
		850 (A = 862 mm)	900.50.420XA	900.50.42040	900.50.42060
		900 (A = 912 mm)	900.50.421XA	900.50.42140	900.50.42160
	right	700 (A = 712 mm)	900.50.422XA	900.50.42240	900.50.42260
		750 (A = 762 mm)	900.50.423XA	900.50.42340	900.50.42360
		850 (A = 862 mm)	900.50.424XA	900.50.42440	900.50.42460
		900 (A = 912 mm)	900.50.425XA	900.50.42540	900.50.42560
	left	700 (A = 712 mm)	900.50.410XA	900.50.41040	900.50.41060
		750 (A = 762 mm)	900.50.411XA	900.50.41140	900.50.41160
		850 (A = 862 mm)	900.50.412XA	900.50.41240	900.50.41260
		900 (A = 912 mm)	900.50.413XA	900.50.41340	900.50.41360
	right	700 (A = 712 mm)	900.50.414XA	900.50.41440	900.50.41460
		750 (A = 762 mm)	900.50.415XA	900.50.41540	900.50.41560
		850 (A = 862 mm)	900.50.416XA	900.50.41640	900.50.41660
		900 (A = 912 mm)	900.50.417XA	900.50.41740	900.50.41760

## HEWI Surfaces

 ...60 DX matt white  
 XA Chr  ...60 SC matt dark grey pearl mica  
 ...60 DC matt black

Item Number

Dimensions in mm / Specification



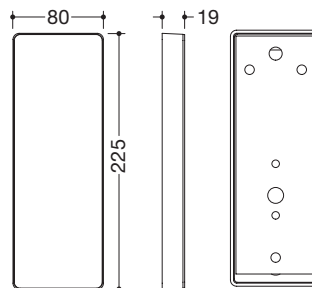
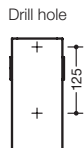
- Face plate
- Frame
- Mounting plate



- Face plate
- Frame
- Mounting plate



- Face plate
- Frame
- Mounting plate



**900.50.003XA**  
**900.50.00340**  
**900.50.00360**

**HEWI Mounting plate with cover**

- 80 mm wide, 225 mm high, 19 mm deep
- mounting plate made of stainless steel
- frame cover made of high-quality polyamide in HEWI colours 98 (signal white), 92 (anthracite grey) resp. matt white or matt black
- face plate of the cover made of high-quality stainless steel
- for wall-mounting with non-corrosive and tested HEWI fixing material for different wall constructions (to be ordered separately)
- incl. sealing tape for sealing the fixing points
- satin finished
- mounting plate chrome-plated, face plate mirror polished
- mounting plate powder-coated in HEWI colours CV (matt black) and ER (matt dark grey pearl mica) with frame made of matt black polyamide or powder-coated in HEWI colour AS (matt white) with frame made of matt white polyamide
- face plate in matching colour to frame, powder-coated in HEWI colours AS (matt white) and CV (matt black)

Please advise frame colour resp. colour combination when ordering.

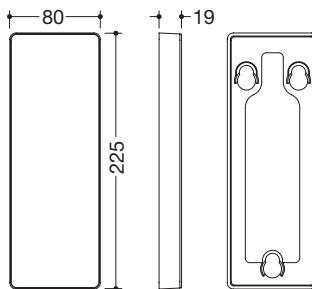
**HEWI Fixing material** see below



- Face plate
- Frame



- Face plate
- Frame



**900.50.002XA**  
**900.50.00240**  
**900.50.00260**

**HEWI Cover for mounting plate**

- for cover of the mounting plate by simple replacement
- 80 mm wide, 225 mm high, 19 mm deep
- frame cover made of high-quality polyamide in HEWI colours 98 (signal white), 92 (anthracite grey) resp. signal white matt or jet black matt
- face plate made of high-quality stainless steel
- satin finished
- mirror polished (for chrome version)
- powder-coated in HEWI colours AS (matt white) and CV (matt black)

Please advise frame colour resp. colour combination when ordering.

**HEWI Powder coating | Material combinations with synthetic material**

- ...60 AS matt white | polyamide signal white matt
- ...60 ER matt dark grey pearl mica | polyamide jet black matt
- ...60 CV matt black | polyamide jet black matt

**HEWI Fixing material BM10.2 to BM18.2 to be ordered separately** see pages 228 and 738

**HEWI Height adjustable plate** see pages 228 and 319

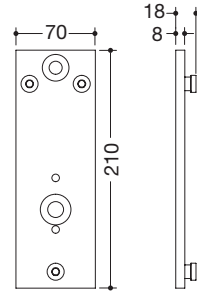
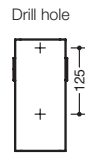
**Ordering aid for mobile hinged support rails** see online catalogue

**Ordering aid for height adjustable plate** see online catalogue

Item Number

Dimensions in mm / Specification

System 900



**HEWI Mounting plate**

- to hold and fix the mobile hinged support rails 900.50.4...
- 70 mm wide, 210 mm high, 18 mm deep, made of stainless steel
- for wall-mounting with non-corrosive and tested HEWI fixing material for different wall constructions (to be ordered separately)
- incl. sealing tape for sealing the fixing points

- 900.50.001XA
- 900.50.00140
- 900.50.00160

- satin finished
- chrome-plated
- powder-coated in HEWI colours DX (matt white), SC (matt dark grey pearl mica) and DC (matt black)



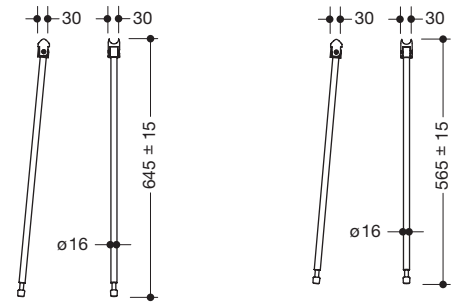
**HEWI Fixing material** see below



950.50.013

**HEWI Protection and storage bag**

- for storing the mobile hinged support rails 900.50...
- made of high-quality, tear-resistant white synthetic material sheeting
- high-quality fleece lining on the inside to protect the surfaces of the hinged support rails
- 1035 mm high, 335 mm wide
- with pull-cord for closing



**HEWI Floor support**

- for retrofitting on hinged support rails Duo 900.50...
- height adjustment within +/- 15 mm range possible
- made of high-quality stainless steel
- fulfils height adjustment requirements according to DIN 18040
- vertical length 645 mm, for mounting height 760 mm
- satin finished
- chrome-plated
- powder-coated in HEWI colours DX (matt white), SC (matt dark grey pearl mica) and DC (matt black)
- vertical length 565 mm, for mounting height 680 mm
- satin finished
- chrome-plated
- powder-coated in HEWI colours DX (matt white), SC (matt dark grey pearl mica) and DC (matt black)

- 900.50.020XA
- 900.50.02040
- 900.50.02060

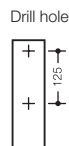
- 900.50.021XA
- 900.50.02140
- 900.50.02160



**HEWI Colours | Surfaces**

- 98 92 XA Chr ...60 DX matt white
- ...60 SC matt dark grey pearl mica
- ...60 DC matt black

**HEWI Fixing material BM10.2 to BM18.2 to be ordered separately**  
see pages 228 and 738



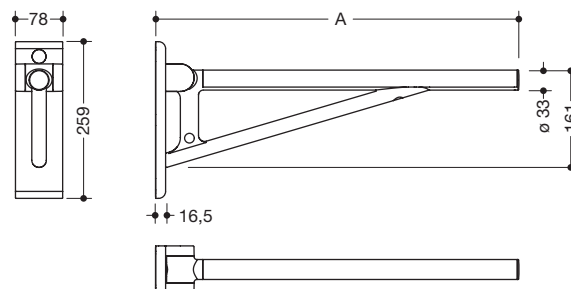
- Rail
- Wall plate, extension arm



- Rail
- Wall plate, extension arm



- Rail
- Wall plate, extension arm



**HEWI Hinged support rail**

- with one horizontal, round gripping level
- can be folded upwards and, with friction device, downwards
- permanently smooth-running, low-maintenance joint, preset in the factory
- 259 mm high and 78 mm wide, rail  $\varnothing$  33 mm
- loading capacity 100 kg
- wall plate and extension arm made of high-quality synthetic material
- for mounting with corrosion-free and tested HEWI fixing material for different wall constructions (to be ordered separately)
- sealing tape for sealing the fixing points included in delivery

**projection 600 mm, fulfils the requirements acc. to DIN 18040**

- rail made of metal in stainless steel look, wall plate and extension arm in HEWI colours 98 (signal white) and 92 (anthracite grey)
- rail made of metal in chrome look, wall plate and extension arm in HEWI colours 98 (signal white) and 92 (anthracite grey)
- rail made of metal, powder-coated in HEWI colours CV (matt black) in combination with black extension arm and wall plate and AS (matt white) in combination with white extension arm and wall plate

**700 mm projection**

- rail made of metal in stainless steel look, wall plate and extension arm in HEWI colours 98 (signal white) and 92 (anthracite grey)
- rail made of metal in chrome look, wall plate and extension arm in HEWI colours 98 (signal white) and 92 (anthracite grey)
- rail made of metal, powder-coated in HEWI colours CV (matt black) in combination with black extension arm and wall plate and AS (matt white) in combination with white extension arm and wall plate

**850 mm projection, fulfils the requirements acc. to DIN 18040, ÖNORM B1600/1601 and SIA 500**

**900.50B216XA**

**900.50B21640**

**900.50.21660**

**900.50B217XA**

**900.50B21740**

**900.50.21760**

**900.50B218XA**

**900.50B21840**

**900.50.21860**

**HEWI Powder coating | Material combinations with synthetic material**

- ...60 AS matt white | white synthetic material
- ...60 ER matt dark grey pearl mica | black synthetic material
- ...60 CV matt black | black synthetic material

**HEWI Fixing material BM10.2 to BM18.2 to be ordered separately**  
see pages 228 and 738

Item Number

Dimensions in mm / Specification



- ☒ Rails
- ☒ ■ Backrest

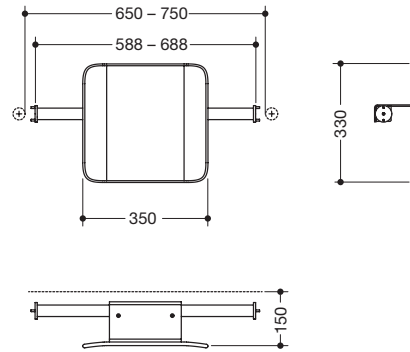


- ☒ Rails
- ☒ ■ Backrest



- ☒ ■ Rails
- ☒ ■ Backrest

**900.51.901XA**  
**900.51.90140**  
**900.51.90160**



**HEWI Backrest rail (for Design A)**

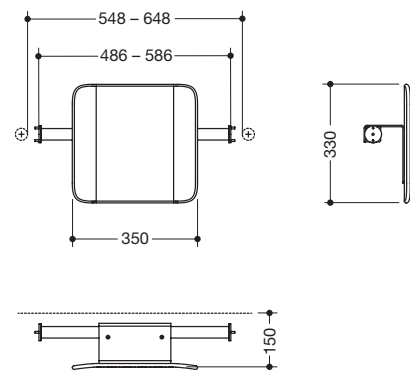
- backrest with fixing rails on both sides
- mounting with hinged support rails System 900, Design A
- 330 mm high and 150 mm deep, backrest 350 mm wide
- rails ø 32 mm, tube thickness 2 mm
- c to c from 588 to 688 mm (clear dimension between the rails of the hinged support rails 650-750 mm) adjustable on site
- backrest made of synthetic material in HEWI colours 98 (signal white) and 92 (anthracite grey)
- connection made of high-quality stainless steel
- fulfils the requirements acc. to DIN 18040 and ÖNORM B 1600/1601 including non-corrosive and tested HEWI fixing material

- satin finished
- chrome-plated
- powder-coated in HEWI colour AS (matt white) with white backrest or powder-coated in HEWI colours ER (matt dark grey pearl mica) and CV (matt black) with black backrest

The HEWI backrest rail 900.51.901.. can only be installed in combination with hinged support rails System 900 Design A.

If the backrest rail is to be mounted individually, use version 900.51.900.. with roses.

Please advise colour of backrest resp. colour combination when ordering.



**HEWI Backrest rail (for Design A)**

- do., c to c from 486 to 586 mm (clear dimension between the rails of the hinged support rails 548-648 mm) adjustable on site
- fulfils the requirements acc. to BS-Standard BS 8300:2009+A1:2010/ Doc M

- satin finished
- chrome-plated
- powder-coated in HEWI colour AS (matt white) with white backrest or powder-coated in HEWI colours ER (matt dark grey pearl mica) and CV (matt black) with black backrest

**HEWI Matt colours | Surfaces**

- ☒ 98 92 90
- ☒ XA Chr

**Ordering aid for backrest rail with mobile hinged support rails**

see online catalogue



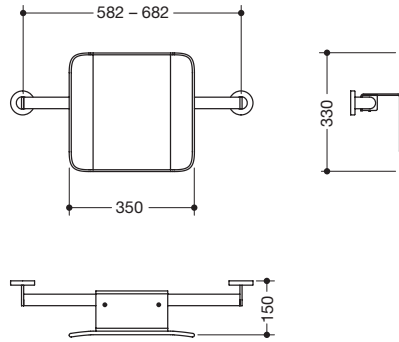
☑ Rails  
☑ ■ Backrest



☐ Rails  
☑ ■ Backrest



☐ ■ Rails  
☑ ■ Backrest



**HEWI Backrest rail (for Design A and B)**

- backrest with fixing rails on both sides and roses for wall mounting
- 330 mm high and 150 mm deep, backrest 350 mm wide
- rails ø 32 mm, tube thickness 2 mm
- c to c from 582 to 682 mm, adjustable on site
- backrest made of synthetic material in HEWI colours 98 (signal white) and 92 (anthracite grey)
- wall connection made of high-quality stainless steel
- fulfils the requirements acc. to DIN 18040 and ÖNORM B 1600/1601
- including non-corrosive and tested HEWI fixing material
- satin finished
- chrome-plated
- powder-coated in HEWI colour AS (matt white) with white backrest or powder-coated in HEWI colours ER (matt dark grey pearl mica) and CV (matt black) with black backrest

**HEWI Mobile backrest rail (for Design A and B)**

- do., for mobile use
- easy installation due to individually mountable stainless steel fixing plates for hanging the rail
- is secured with fastening screw (theft protection)
- satin finished
- chrome-plated
- powder-coated in HEWI colour AS (matt white) with white backrest or powder-coated in HEWI colours ER (matt dark grey pearl mica) and CV (matt black) with black backrest

Please advise colour of backrest resp. colour combination when ordering.

**900.51.900XA**  
**900.51.90040**  
**900.51.90060**

**New 900.51.911XA**  
**New 900.51.91140**  
**New 900.51.91160**

**HEWI Powder coating | Material combinations with synthetic material**

- ☐ ■ ...60 AS matt white | white synthetic material
- ■ ...60 ER matt dark grey pearl mica | black synthetic material
- ■ ...60 CV matt black | black synthetic material

**HEWI Mounting plate, cover** see page 247

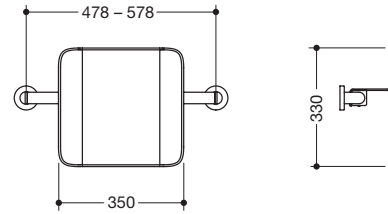
**Ordering aid for backrest rail with mobile hinged support rails**  
see online catalogue

Item Number

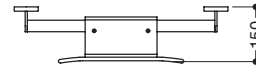
Dimensions in mm / Specification



☒ Rails  
☒ ■ Backrest



☐ Rails  
☒ ■ Backrest



☐ ■ Rails  
☒ ■ Backrest

**900.51.905XA**  
**900.51.90540**  
**900.51.90560**

**HEWI Backrest rail (for Design A and B)**

- backrest backrest with fixing rails on both sides and roses for wall mounting
- 330 mm high and 150 mm deep, backrest 350 mm wide
- rails ø 32 mm, tube thickness 2 mm
- c to c from 478 to 578 mm, adjustable on site
- backrest made of synthetic material in HEWI colours 98 (signal white) and 92 (anthracite grey)
- wall connection made of high-quality stainless steel
- fulfils the requirements acc. to DIN 18040 and ÖNORM B 1600/1601
- fulfils the requirements acc. to BS-Standard BS 8300:2009+A1:2010/Doc M
- including non-corrosive and tested HEWI fixing material
- satin finished
- chrome-plated
- powder-coated in HEWI colour AS (matt white) with white backrest or powder-coated in HEWI colours ER (matt dark grey pearl mica) and CV (matt black) with black backrest

**HEWI Mobile backrest rail (for Design A and B)**

- do., for mobile use
- easy installation due to individually mountable stainless steel fixing plates (included in delivery), for hanging the rail
- is secured with fastening screw (theft protection)
- satin finished
- chrome-plated
- powder-coated in HEWI colour AS (matt white) with white backrest or powder-coated in HEWI colours ER (matt dark grey pearl mica) and CV (matt black) with black backrest

Please advise colour of backrest resp. colour combination when ordering.

**New** 900.51.914XA  
**New** 900.51.91440  
**New** 900.51.91460

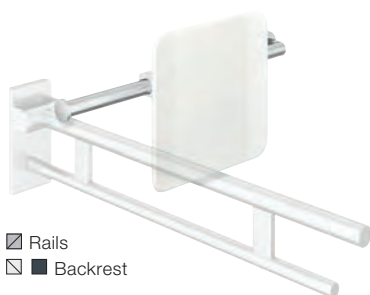
**HEWI Matt colours | Surfaces**

☐ ■ ■ Rails  
98 92 90 XA Chr  
☒ ■ ■ Backrest

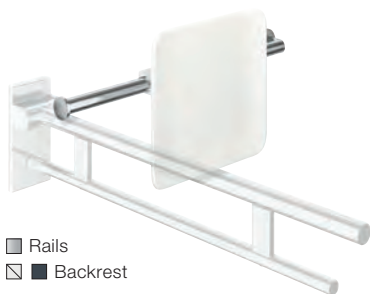
**HEWI Mounting plate, cover** see page 247

**Ordering aid for backrest rail with mobile hinged support rails**  
see online catalogue

System 900



- Rails
- Backrest



- Rails
- Backrest



- Rails
- Backrest

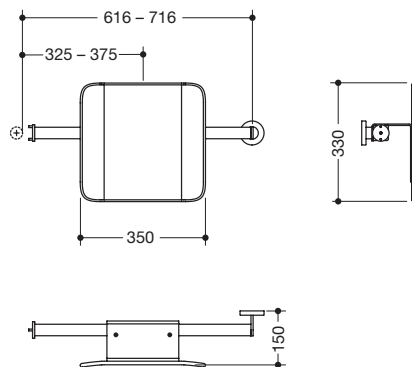
Version right

900.51.903XA  
900.51.90340  
900.51.90360

900.51.902XA  
900.51.90240  
900.51.90260

**New** 900.51.913XA  
**New** 900.51.91340  
**New** 900.51.91360

**New** 900.51.912XA  
**New** 900.51.91240  
**New** 900.51.91260



**HEWI Backrest rail (for Design A)**

- backrest with fixing rails on both sides
- one-sided wall mounting with roses
- one-sided mounting with hinged support rails System 900, Design A
- 330 mm high and 150 mm deep, backrest 350 mm wide
- rails ø 32 mm, tube thickness 2 mm
- c to c adjustable on site (clear dimension between top rail of hinged support rail and c to c of wall fixing 616-716 mm)
- backrest made of synthetic material in HEWI colours 98 (signal white) and 92 (anthracite grey)
- connection made of high-quality stainless steel
- fulfils the requirements acc. to DIN 18040 and ÖNORM B1600/1601
- including non-corrosive and tested HEWI fixing material

**Version right** (from users point of view)

- rail right, rose left
- satin finished
- chrome-plated
- powder-coated in HEWI colour AS (matt white) with white backrest or powder-coated in HEWI colours ER (matt dark grey pearl mica) and CV (matt black) with black backrest

**Version left** (from users point of view)

- rail left, rose right
- satin finished
- chrome-plated
- powder-coated in HEWI colour AS (matt white) with white backrest or powder-coated in HEWI colours ER (matt dark grey pearl mica) and CV (matt black) with black backrest

**HEWI Mobile backrest rail (for Design A and B)**

- do., for mobile use
- easy installation due to individually mountable stainless steel fixing plates for hanging the rail
- is secured with fastening screw (theft protection)

**Version right** (from users point of view)

- rail right, rose left
- satin finished
- chrome-plated
- powder-coated in HEWI colour AS (matt white) with white backrest or powder-coated in HEWI colours ER (matt dark grey pearl mica) and CV (matt black) with black backrest

**Version left** (from users point of view)

- rail left, rose right
- satin finished
- chrome-plated
- powder-coated in HEWI colour AS (matt white) with white backrest or powder-coated in HEWI colours ER (matt dark grey pearl mica) and CV (matt black) with black backrest

Please advise colour of backrest resp. colour combination when ordering.

**HEWI Powder coating | Material combinations with synthetic material**

- ...60 AS matt white | white synthetic material
- ...60 ER matt dark grey pearl mica | black synthetic material
- ...60 CV matt black | black synthetic material

**HEWI Fixing material BM10.2 to BM18.2 to be ordered separately**

see pages 228 and 738

**HEWI Mounting plate, cover** see page 247

**Ordering aid for backrest rail with mobile hinged support rails**

see online catalogue



Item Number

Dimensions in mm / Specification



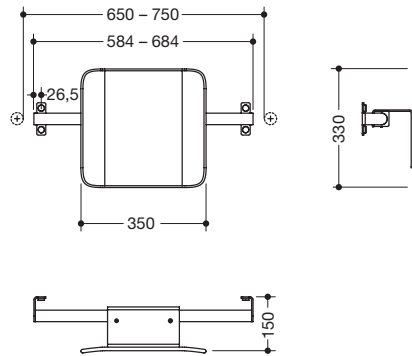
- ☒ Rails
- ☒ ■ Backrest



- ☒ Rails
- ☒ ■ Backrest



- ☒ ■ Rails
- ☒ ■ Backrest

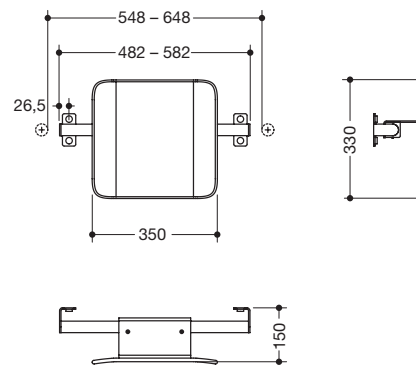


**HEWI Backrest rail (for Design B)**

- backrest with fixing rails on both sides
- for wall mounting next to hinged support rails System 900, Design B
- 330 mm high and 150 mm deep, backrest 350 mm wide
- rails ø 32 mm, tube thickness 2 mm
- c to c from 584 to 684 mm (clear dimension between the rails of the hinged support rails 650-750 mm) adjustable on site
- backrest made of synthetic material in HEWI colours 98 (signal white) and 92 (anthracite grey)
- wall connection made of high-quality stainless steel
- fulfils the requirements acc. to DIN 18040 and ÖNORM B1600/1601 including non-corrosive and tested HEWI fixing material
- satin finished
- chrome-plated
- powder-coated in HEWI colour AS (matt white) with white backrest or powder-coated in HEWI colours ER (matt dark grey pearl mica) and CV (matt black) with black backrest

Please advise colour of backrest resp. colour combination when ordering.

**900.51.904XA**  
**900.51.90440**  
**900.51.90460**



**HEWI Backrest rail (for Design A)**

- do., c to c from 482 to 582 mm (clear dimension between the rails of the hinged support rails 548-648 mm) adjustable on site
- fulfils the requirements acc. to DIN 18040 and ÖNORM B1600/1601
- fulfils the requirements acc. to BS-Standard BS 8300:2009+A1:2010/ Doc M
- satin finished
- chrome-plated
- powder-coated in HEWI colour AS (matt white) with white backrest or powder-coated in HEWI colours ER (matt dark grey pearl mica) and CV (matt black) with black backrest

**900.51.909XA**  
**900.51.90940**  
**900.51.90960**

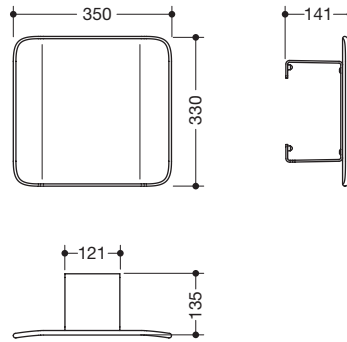
**HEWI Matt colours | Surfaces**

- ☒ ■ 98
- ☒ ■ 92
- ☒ ■ XA
- ☒ ■ Chr

System 900



900.51.91060






**HEWI Backrest**

- backrest with rear mounting brackets
- for wall mounting
- 350 mm wide, 330 mm high and 141 mm deep
- wall connection made of aluminum, powder-coated in HEWI colours AS (matt white), CV (matt black) and AF (matt anthracite grey)
- backrest made of structured synthetic material in colour of wall connection
- including non-corrosive and tested HEWI fixing material

**Please note:** Please advise colour when ordering.



**HEWI Powder coating | Material combinations with synthetic material**

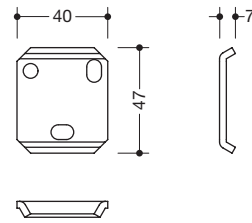
-  **...60 AS** matt white | white synthetic material
-  **...60 AF** anthracite grey matt | anthracite grey synthetic material
-  **...60 CV** matt black | black synthetic material

Item Number

Dimensions in mm / Specification



**New** 900.36.018XA



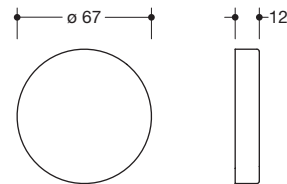
**HEWI Mounting plate for mobile support rails and backrest rails**

- to hold and fix mobile support rails 900.36... and mobile backrest rails 900.51.91..
- 40 mm wide, 47 mm high, 7 mm deep
- made of stainless steel
- for mounting with corrosion-free and tested HEWI fixing material for different wall constructions (to be ordered separately)

System 900



**New** 900.36.016XA  
**New** 900.36.01640  
**New** 900.36.01660

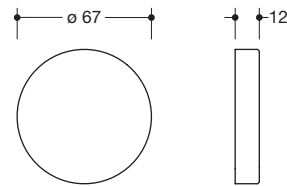


**HEWI Cover for mounting plate of mobile support rails and backrests**

- for cover of mounting plate by simple replacement
- is secured with fastening screw (theft protection)
- ø 70 mm, 12 mm deep
- satin finished
- chrome-plated
- powder-coated in HEWI colours DX (matt white), SC (matt dark grey pearl mica) and DC (matt black)



**New** 900.36.017XA  
**New** 900.36.01740  
**New** 900.36.01760



**HEWI Mounting plate with cover of mobile support rails and backrests**

- rectangular mounting plate with matching, round cover
- to hold mobile support rails 900.36... and mobile backrest rails 900.51.91..
- cover ø 70 mm, 12 mm deep
- cover made of high-quality stainless steel
- mounting plate made of stainless steel
- for mounting with corrosion-free and tested HEWI fixing material for different wall constructions (to be ordered separately)
- supplied per pair
- satin finished
- chrome-plated
- powder-coated in HEWI colours DX (matt white), SC (matt dark grey pearl mica) and DC (matt black)



**HEWI Surfaces**

- ☒ ...60 DX matt white
- ☐ ...60 SC matt dark grey pearl mica
- ☐ ...60 DC matt black

# System 900

## Grip

### INNOVATIPACKING UNIT MOUNTING TECHNOLOGY

- Faster, easier assembly
- Innovative corner connection only requires three instead of the usual four attachment points
- Innovative plug-click principle
- Precise joints thanks to laser technology
- Compensation of the angle tolerance in the corner of the room of up to  $\pm 2^\circ$  possible
- Proven assembly principles for the attachment roses allows borehole tolerance

### HANDLING COMFORT

- The cross-section is perfectly shaped for the human hand
- Round tube design offers a pleasant and secure hold

### HYGIENIC DESIGN

- Minimum number of components, few joints
- Precise transitions thanks to laser technology
- Easy-care, leaning agent-resistant materials
- Pore-free surfaces
- Concealed fixing

**DESIGN OPTIONS**

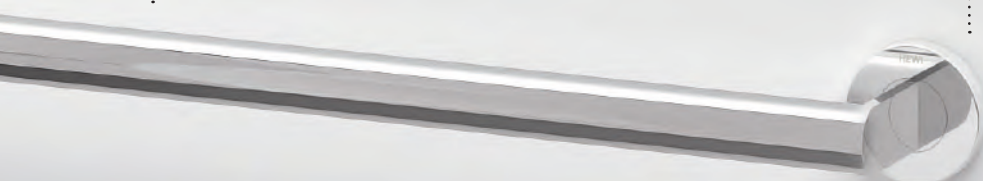
- Two diameters (support rails  $\varnothing$  32 or 30 mm, rails with shower head holder  $\varnothing$  32 or 25 mm)
- three surfaces (satin finished stainless steel, high-polished chrome or powder-coating)

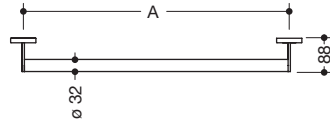
**CUSTOMISED**

- Customised holding and pole system made of satin finished stainless steel
- Available from a series of 1

**SEALING ELEMENT**

- Attachment roses can be supplemented with sealing tape (included in the delivery scope)
- Seals the fixing element reliably toward the wall
- Compensates joints or unevenness on walls





**HEWI Support rail ø 32 mm**

- rail ø 32 mm, 88 mm deep, tube thickness 2 mm, roses ø 70 mm
- made of high-quality stainless steel
- upgrade kit toilet roll holder can be retrofitted
- incl. non-corrosive and tested HEWI fixing material for wall mounting
- additional sealing of the drilling points possible with sealing tape (included in delivery)

A1 (in mm)	satin finished	chrome-plated	powder-coated
300	<b>900.36.000XA</b>	<b>900.36.00040</b>	<b>900.36.00060</b>
400	<b>900.36.001XA</b>	<b>900.36.00140</b>	<b>900.36.00160</b>
500	<b>900.36.002XA</b>	<b>900.36.00240</b>	<b>900.36.00260</b>
600	<b>900.36.003XA</b>	<b>900.36.00340</b>	<b>900.36.00360</b>
700	<b>900.36.004XA</b>	<b>900.36.00440</b>	<b>900.36.00460</b>
800	<b>900.36.005XA</b>	<b>900.36.00540</b>	<b>900.36.00560</b>
900	<b>900.36.006XA</b>	<b>900.36.00640</b>	<b>900.36.00660</b>
1000	<b>900.36.007XA</b>	<b>900.36.00740</b>	<b>900.36.00760</b>
220 - 1100*	<b>900.36.0S0XA</b>		

**HEWI Mobile support rail ø 32 mm**

- do., for mobile use
- easy installation due to individually mountable stainless steel fixing plates (included in delivery), for hanging the support rail
- is secured with fastening screw (theft protection)

New

A1 (in mm)	satin finished	chrome-plated	powder-coated
300	<b>900.36.008XA</b>	<b>900.36.00840</b>	<b>900.36.00860</b>
400	<b>900.36.009XA</b>	<b>900.36.00940</b>	<b>900.36.00960</b>
500	<b>900.36.010XA</b>	<b>900.36.01040</b>	<b>900.36.01060</b>
600	<b>900.36.011XA</b>	<b>900.36.01140</b>	<b>900.36.01160</b>
700	<b>900.36.012XA</b>	<b>900.36.01240</b>	<b>900.36.01260</b>
800	<b>900.36.013XA</b>	<b>900.36.01340</b>	<b>900.36.01360</b>
900	<b>900.36.014XA</b>	<b>900.36.01440</b>	<b>900.36.01460</b>
1000	<b>900.36.015XA</b>	<b>900.36.01540</b>	<b>900.36.01560</b>
220 - 1100*	<b>900.36.0S3XA</b>		

**Please note when using with removable hanging seats**

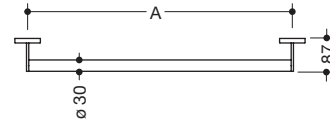
Compatibility check required. A detailed list of the possible combinations of support rails, L-shaped support rails and shower head rails with matching removable hanging seats can be found in our online catalogue in the download area of the respective product.

\*Please advise A1 when ordering. Suitable for HEWI hanging seats when c to c between 250 and 900 mm



66758, 66759, 67971  
66779  
68424  
68426  
67975

**HEWI Rose**  
**HEWI Tight round plate, packing unit 10 pcs.**  
**HEWI Upgrade kit toilet roll holder, satin finished**  
**HEWI Upgrade kit toilet roll holder, chrome-plated**  
**HEWI Upgrade kit toilet roll holder, powder-coated**  
**HEWI Mounting plate, cover** see page 247



**HEWI Support rail ø 30 mm**

- rail ø 30 mm, 87 mm deep, tube thickness 2 mm, roses ø 70 mm
- made of high-quality stainless steel
- upgrade kit toilet roll holder can be retrofitted
- incl. non-corrosive and tested HEWI fixing material for wall mounting
- additional sealing of the drilling points possible with sealing tape (included in delivery)

System 900

A1 (in mm)	chrome-plated	powder-coated
300	<b>900.36.03040</b>	<b>900.36.03060</b>
400	<b>900.36.03140</b>	<b>900.36.03160</b>
500	<b>900.36.03240</b>	<b>900.36.03260</b>
600	<b>900.36.03340</b>	<b>900.36.03360</b>
700	<b>900.36.03440</b>	<b>900.36.03460</b>
800	<b>900.36.03540</b>	<b>900.36.03560</b>
900	<b>900.36.03640</b>	<b>900.36.03660</b>
1000	<b>900.36.03740</b>	<b>900.36.03760</b>



**Please note when using with removable hanging seats**

Compatibility check required. A detailed list of the possible combinations of support rails, L-shaped support rails and shower head rails with matching removable hanging seats can be found in our online catalogue in the download area of the respective product.

**HEWI Surfaces**

- ☒ ...60 DX matt white
- XA Chr ...60 SC matt dark grey pearl mica
- ...60 DC matt black

**66763, 67972**

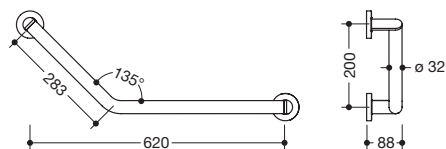
- 66779
- 68425
- 67976

**HEWI Rose**

- HEWI Tight round plate, packing unit 10 pcs.
- HEWI Upgrade kit toilet roll holder, chrome-plated
- HEWI Upgrade kit toilet roll holder, powder-coated

Item Number

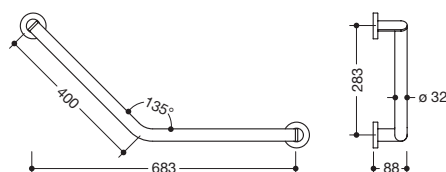
Dimensions in mm / Specification



**HEWI L-shaped support rail ø 32 mm**

- c to c 620 mm and 283 mm, angle 135°
- rails ø 32 mm, 88 mm deep, tube thickness 2 mm, roses ø 70 mm
- made of high-quality stainless steel
- upgrade kit toilet roll holder can be retrofitted
- incl. non-corrosive and tested HEWI fixing material for wall mounting
- additional sealing of the drilling points possible with sealing tape (included in delivery)

Version right, satin finished	Version left, satin finished
<b>900.22.300XA</b>	<b>900.22.301XA</b>
Version right, chrome-plated	Version left, chrome-plated
<b>900.22.30040</b>	<b>900.22.30140</b>
Version right, powder-coated	Version left, powder-coated
<b>900.22.30060</b>	<b>900.22.30160</b>

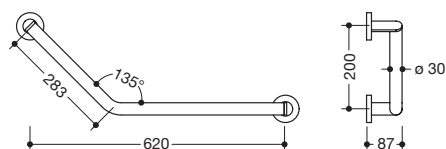


- do., c to c 683 mm and 400 mm
- satin finished
- chrome-plated
- powder-coated in HEWI colours DX (matt white), SC (matt dark grey pearl mica) and DC (matt black)

Version right



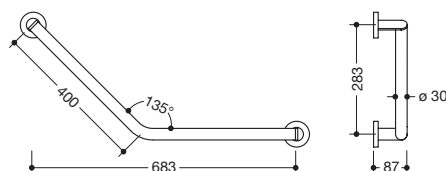
- New** 900.22.304XA
- New** 900.22.30440
- New** 900.22.30460



**HEWI L-shaped support rail ø 30 mm**

- do., c to c 620 mm and 283 mm, rails ø 30 mm, 87 mm deep

Version right, chrome-plated	Version left, chrome-plated
<b>900.22.33040</b>	<b>900.22.33140</b>
Version right, powder-coated	Version left, powder-coated
<b>900.22.33060</b>	<b>900.22.33160</b>



- do., c to c 683 mm and 400 mm
- chrome-plated
- powder-coated in HEWI colours DX (matt white), SC (matt dark grey pearl mica) and DC (matt black)

Version right



- New** 900.22.33440
- New** 900.22.33460

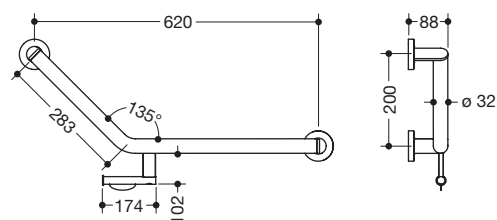
- 667..., 6797..., 66779, 68424, 68426, 68425, 67975, 67976

- HEWI Rose**
- HEWI Tight round plate, packing unit 10 pcs.**
- HEWI Upgrade kit toilet roll holder, satin finished**
- HEWI Upgrade kit toilet roll holder, chrome-plated**
- HEWI Upgrade kit toilet roll holder, powder-coated**



Item Number

Dimensions in mm / Specification



**HEWI L-shaped support rail ø 32 mm with toilet roll holder**

- with integrated toilet roll holder
- c to c 620 mm and 283 mm, angle 135°
- rails ø 32 mm, 88 mm deep, tube thickness 2 mm, roses ø 70 mm
- made of high-quality stainless steel
- incl. non-corrosive and tested HEWI fixing material for wall mounting
- additional sealing of the drilling points possible with sealing tape (included in delivery)

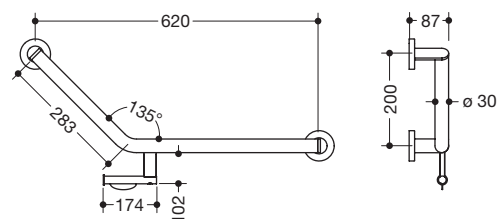


Version right



Version right, satin finished	Version left, satin finished
<b>900.22.302XA</b>	<b>900.22.303XA</b>
Version right, chrome-plated	Version left, chrome-plated
<b>900.22.30240</b>	<b>900.22.30340</b>
Version right, powder-coated	Version left, powder-coated
<b>900.22.30260</b>	<b>900.22.30360</b>

System 900



**HEWI L-shaped support rail ø 30 mm with toilet roll holder**

- do., rails ø 30 mm, 87 mm deep



Version right



Version right, chrome-plated	Version left, chrome-plated
<b>900.22.33240</b>	<b>900.22.33340</b>
Version right, powder-coated	Version left, powder-coated
<b>900.22.33260</b>	<b>900.22.33360</b>

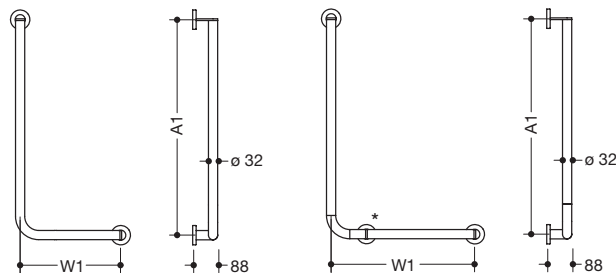
**HEWI Surfaces**

- XA Chr █ ...60 DX matt white
- █ ...60 SC matt dark grey pearl mica
- █ ...60 DC matt black

Detailed information about the spare parts can be found here:  
[www.hewi.com/en/spare-parts](http://www.hewi.com/en/spare-parts)



Version right



**HEWI L-shaped support rail  $\varnothing$  32 mm**

- rails  $\varnothing$  32 mm, 88 mm deep, tube thickness 2 mm, roses  $\varnothing$  70 mm
- made of high-quality stainless steel
- incl. non-corrosive and tested HEWI fixing material for wall mounting
- upgrade kit toilet roll holder can be retrofitted
- additional sealing of the drilling points possible with sealing tape (included in delivery)



Version right

A1 x W1 (in mm)	Version right, satin finished	Version left, satin finished
255 x 255	<b>900.22.100XA</b>	
600 x 300	<b>900.22.101XA</b>	<b>900.22.105XA</b>
750 x 500*	<b>900.22.102XA<sup>1)</sup></b>	<b>900.22.106XA<sup>1)</sup></b>
900 x 400*	<b>900.22.103XA</b>	<b>900.22.107XA</b>
1000 x 500*	<b>900.22.104XA<sup>2)</sup></b>	<b>900.22.108XA<sup>2)</sup></b>
600 - 1100** x 300 - 850	<b>900.22.1S0XA</b>	<b>900.22.1S2XA</b>

A1 x W1 (in mm)	Version right, chrome-plated	Version left, chrome-plated
255 x 255	<b>900.22.10040</b>	
600 x 300*	<b>900.22.10140</b>	<b>900.22.10540</b>
750 x 500*	<b>900.22.10240<sup>1)</sup></b>	<b>900.22.10640<sup>1)</sup></b>
900 x 400*	<b>900.22.10340</b>	<b>900.22.10740</b>
1000 x 500	<b>900.22.10440<sup>2)</sup></b>	<b>900.22.10840<sup>2)</sup></b>



Version right

A1 x W1 (in mm)	Version right, powder-coated	Version left, powder-coated
255 x 255	<b>900.22.10060</b>	
600 x 300*	<b>900.22.10160</b>	<b>900.22.10560</b>
750 x 500*	<b>900.22.10260<sup>1)</sup></b>	<b>900.22.10660<sup>1)</sup></b>
900 x 400*	<b>900.22.10360</b>	<b>900.22.10760</b>
1000 x 500	<b>900.22.10460<sup>2)</sup></b>	<b>900.22.10860<sup>2)</sup></b>

**Please note when using with removable hanging seats**

Compatibility check required. A detailed list of the possible combinations of support rails, L-shaped support rails and shower head rails with matching removable hanging seats can be found in our online catalogue in the download area of the respective product.

\*From A1 x W1 = 750 x 500 mm with 3. support.

\*\*Please advise A1 and W1 when ordering.

<sup>1)</sup> fulfils ÖNORM B 1600/1601

<sup>2)</sup> fulfils SIA 500

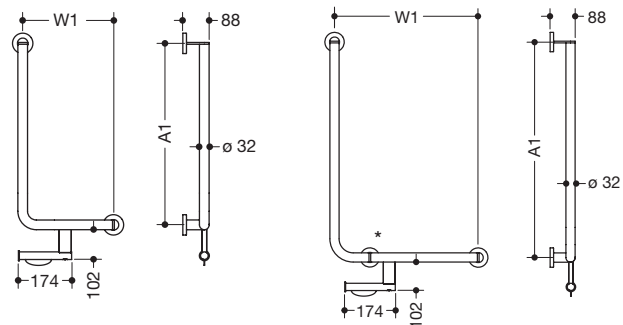


66758, 66759, 67971  
66779  
68424  
68426  
67975  
510640, 71830, 71831

**HEWI Rose**  
**HEWI Tight round plate, packing unit 10 pcs.**  
**HEWI Upgrade kit toilet roll holder, satin finished**  
**HEWI Upgrade kit toilet roll holder, chrome-plated**  
**HEWI Upgrade kit toilet roll holder, powder-coated**  
**HEWI Compensating washer for offset tiles**

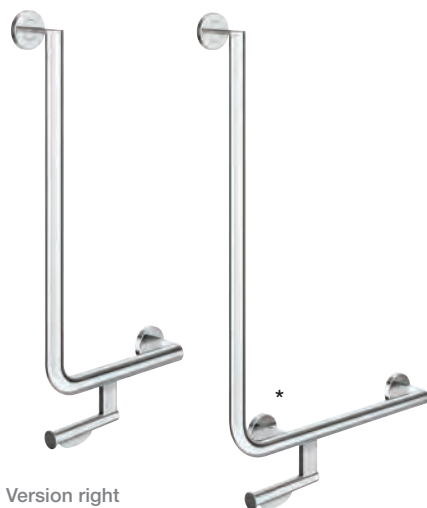


Version right



**HEWI L-shaped support rail ø 32 mm with toilet roll holder**

- with integrated toilet roll holder
- rails ø 32 mm, 88 mm deep, tube thickness 2 mm, roses ø 70 mm
- made of high-quality stainless steel
- incl. non-corrosive and tested HEWI fixing material for wall mounting
- additional sealing of the drilling points possible with sealing tape (included in delivery)



Version right

A1 x W1 (in mm)	Version right, satin finished	Version left, satin finished
600 x 300	<b>900.22.109XA</b>	<b>900.22.113XA</b>
750 x 500*	<b>900.22.110XA<sup>1)</sup></b>	<b>900.22.114XA<sup>1)</sup></b>
900 x 400*	<b>900.22.111XA</b>	<b>900.22.115XA</b>
1000 x 500*	<b>900.22.112XA<sup>2)</sup></b>	<b>900.22.116XA<sup>2)</sup></b>
600 - 1100** x 300 - 850	<b>900.22.1S3XA</b>	<b>900.22.1S4XA</b>

A1 x W1 (in mm)	Version right, chrome-plated	Version left, chrome-plated
600 x 300	<b>900.22.10940</b>	<b>900.22.11340</b>
750 x 500*	<b>900.22.11040<sup>1)</sup></b>	<b>900.22.11440<sup>1)</sup></b>
900 x 400*	<b>900.22.11140</b>	<b>900.22.11540</b>
1000 x 500*	<b>900.22.11240<sup>2)</sup></b>	<b>900.22.11640<sup>2)</sup></b>



Version right

A1 x W1 (in mm)	Version right, powder-coated	Version left, powder-coated
600 x 300	<b>900.22.10960</b>	<b>900.22.11360</b>
750 x 500*	<b>900.22.11060<sup>1)</sup></b>	<b>900.22.11460<sup>1)</sup></b>
900 x 400*	<b>900.22.11160</b>	<b>900.22.11560</b>
1000 x 500*	<b>900.22.11260<sup>2)</sup></b>	<b>900.22.11660<sup>2)</sup></b>



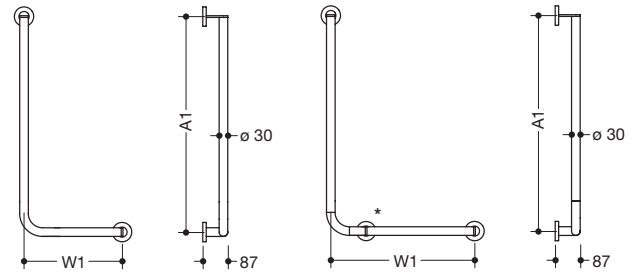
**HEWI Surfaces**

- ☐ ...60 DX matt white
- ☐ XA Chr ...60 SC matt dark grey pearl mica
- ☐ ...60 DC matt black

\*From A1 x W1 = 750 x 500 mm with 3. support.  
\*\*Please advise A1 and W1 when ordering.

<sup>1)</sup> fulfils ÖNORM B 1600/1601  
<sup>2)</sup> fulfils SIA 500

Detailed information about the spare parts can be found here:  
[www.hewi.com/en/spare-parts](http://www.hewi.com/en/spare-parts)



**HEWI L-shaped support rail ø 30 mm**

- rails ø 30 mm, 87 mm deep, tube thickness 2 mm, roses ø 70 mm
- made of high-quality stainless steel
- incl. non-corrosive and tested HEWI fixing material for wall mounting
- upgrade kit toilet roll holder can be retrofitted
- additional sealing of the drilling points possible with sealing tape (included in delivery)



A1 x W1 (in mm)	Version right, chrome-plated	Version left, chrome-plated
255 x 255	<b>900.22.13040</b>	
600 x 300	<b>900.22.13140</b>	<b>900.22.13540</b>
750 x 500*	<b>900.22.13240<sup>1)</sup></b>	<b>900.22.13640<sup>1)</sup></b>
900 x 400*	<b>900.22.13340</b>	<b>900.22.13740</b>
1000 x 500*	<b>900.22.13440<sup>2)</sup></b>	<b>900.22.13840<sup>2)</sup></b>

A1 x W1 (in mm)	Version right, powder-coated	Version left, powder-coated
255 x 255	<b>900.22.13060</b>	
600 x 300	<b>900.22.13160</b>	<b>900.22.13560</b>
750 x 500*	<b>900.22.13260<sup>1)</sup></b>	<b>900.22.13660<sup>1)</sup></b>
900 x 400*	<b>900.22.13360</b>	<b>900.22.13760</b>
1000 x 500*	<b>900.22.13460<sup>2)</sup></b>	<b>900.22.13860<sup>2)</sup></b>

Version right



**Please note when using with removable hanging seats**

Compatibility check required. A detailed list of the possible combinations of support rails, L-shaped support rails and shower head rails with matching removable hanging seats can be found in our online catalogue in the download area of the respective product.

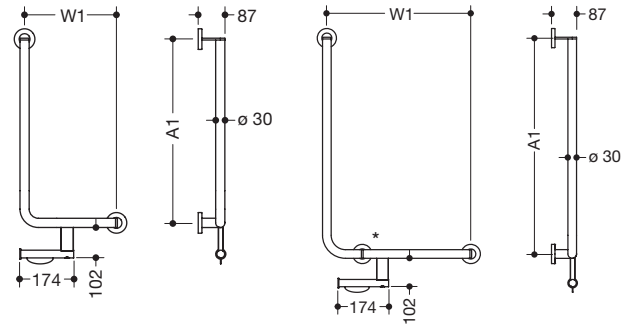
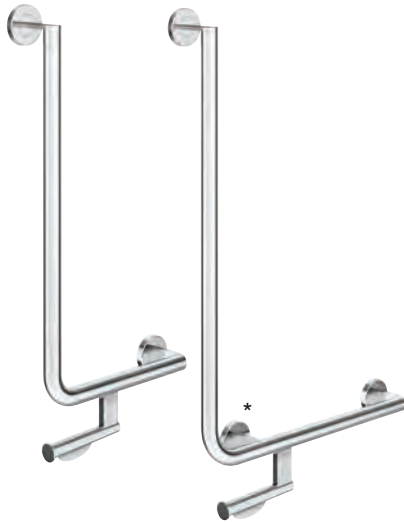
\*From A1 x W1 = 750 x 500 mm with 3. support.

<sup>1)</sup> fulfils ÖNORM B 1600/1601

<sup>2)</sup> fulfils SIA 500

66763, 67972  
66779  
68425  
67976  
510640, 71830, 71831

**HEWI Rose**  
**HEWI Tight round plate, packing unit 10 pcs.**  
**HEWI Upgrade kit toilet roll holder, chrome-plated**  
**HEWI Upgrade kit toilet roll holder, powder-coated**  
**HEWI Compensating washer for offset tiles**



**HEWI L-shaped support rail  $\varnothing$  30 mm with toilet roll holder**

- with integrated toilet roll holder
- rails  $\varnothing$  30 mm, 87 mm deep, tube thickness 2 mm, roses  $\varnothing$  70 mm
- made of high-quality stainless steel
- incl. non-corrosive and tested HEWI fixing material for wall mounting
- additional sealing of the drilling points possible with sealing tape (included in delivery)



Version right



A1 x W1 (in mm)	Version right, chrome-plated	Version left, chrome-plated
600 x 300	<b>900.22.13940</b>	<b>900.22.14340</b>
750 x 500*	<b>900.22.14040<sup>1)</sup></b>	<b>900.22.14440<sup>1)</sup></b>
900 x 400*	<b>900.22.14140</b>	<b>900.22.14540</b>
1000 x 500*	<b>900.22.14240<sup>2)</sup></b>	<b>900.22.14640<sup>2)</sup></b>

A1 x W1 (in mm)	Version right, powder-coated	Version left, powder-coated
600 x 300	<b>900.22.13960</b>	<b>900.22.14360</b>
750 x 500*	<b>900.22.14060<sup>1)</sup></b>	<b>900.22.14460<sup>1)</sup></b>
900 x 400*	<b>900.22.14160</b>	<b>900.22.14560</b>
1000 x 500*	<b>900.22.14260<sup>2)</sup></b>	<b>900.22.14660<sup>2)</sup></b>

\*From A1 x W1 = 750 x 500 mm with 3. support.

<sup>1)</sup> fulfils ÖNORM B 1600/1601  
<sup>2)</sup> fulfils SIA 500

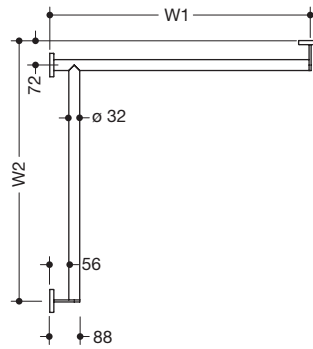
**HEWI Surfaces**

- Chr  ...60 DX matt white
- Chr  ...60 SC matt dark grey pearl mica
- Chr  ...60 DC matt black

Detailed information about the spare parts can be found here:  
[www.hewi.com/en/spare-parts](http://www.hewi.com/en/spare-parts)



Version left



**HEWI Shower grab rail ø 32 mm**

- rails ø 32 mm, 88 mm deep, tube thickness 2 mm, roses ø 70 mm
- made of high-quality stainless steel
- reduced number of mounting roses due to innovative corner connection
- compensation of angle tolerance in room corner up to +/- 2° possible
- incl. non-corrosive and tested HEWI fixing material for wall mounting
- additional sealing of the drilling points possible with sealing tape (included in delivery)



Version left

W1 x W2 (in mm)	Version right, satin finished	Version left, satin finished
765 x 475	<b>900.35.100XA</b>	<b>900.35.103XA</b>
765 x 765	<b>900.35.101XA</b>	<b>900.35.104XA</b>
965 x 965	<b>900.35.102XA</b>	<b>900.35.105XA</b>
475 - 1800* x 475 - 1800	<b>900.35.1S0XA</b>	<b>900.35.1S2XA</b>



Version right

W1 x W2 (in mm)	Version right, chrome-plated	Version left, chrome-plated
765 x 475	<b>900.35.10040</b>	<b>900.35.10340</b>
765 x 765	<b>900.35.10140</b>	<b>900.35.10440</b>
965 x 965	<b>900.35.10240</b>	<b>900.35.10540</b>



W1 x W2 (in mm)	Version right, powder-coated	Version left, powder-coated
765 x 475	<b>900.35.10060</b>	<b>900.35.10360</b>
765 x 765	<b>900.35.10160</b>	<b>900.35.10460</b>
965 x 965	<b>900.35.10260</b>	<b>900.35.10560</b>

**Please note when using with removable hanging seats**

Compatibility check required. A detailed list of the possible combinations of support rails, L-shaped support rails and shower head rails with matching removable hanging seats can be found in our online catalogue in the download area of the respective product.

\*Please advise W1 and W2 when ordering.

66758, 66759, 67971  
66779

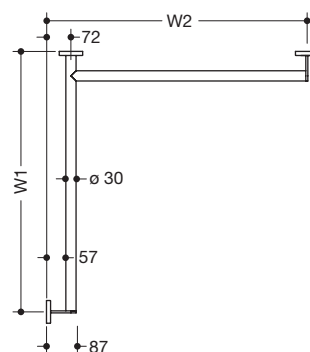
**HEWI Rose**  
**HEWI Tight round plate, packing unit 10 pcs.**



Version right



Version right



**HEWI Shower grab rail  $\phi 30$  mm**

- rails  $\phi 30$  mm, 87 mm deep, tube thickness 2 mm, roses  $\phi 70$  mm
- made of high-quality stainless steel
- reduced number of mounting roses due to innovative corner connection
- compensation of angle tolerance in room corner up to  $\pm 2^\circ$  possible
- incl. non-corrosive and tested HEWI fixing material for wall mounting
- additional sealing of the drilling points possible with sealing tape (included in delivery)

W1 x W2 (in mm)	Version right, chrome-plated	Version left, chrome-plated
765 x 475	<b>900.35.13040</b>	<b>900.35.13340</b>
765 x 765	<b>900.35.13140</b>	<b>900.35.13440</b>
965 x 965	<b>900.35.13240</b>	<b>900.35.13540</b>

W1 x W2 (in mm)	Version right, powder-coated	Version left, powder-coated
765 x 475	<b>900.35.13060</b>	<b>900.35.13360</b>
765 x 765	<b>900.35.13160</b>	<b>900.35.13460</b>
965 x 965	<b>900.35.13260</b>	<b>900.35.13560</b>



**HEWI Surfaces**

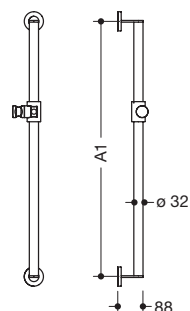
- XA Chr ...60 DX matt white
- ...60 SC matt dark grey pearl mica
- ...60 DC matt black

Detailed information about the spare parts can be found here: [www.hewi.com/en/spare-parts](http://www.hewi.com/en/spare-parts)

**Please note when using with removable hanging seats**  
Compatibility check required. A detailed list of the possible combinations of support rails, L-shaped support rails and shower head rails with matching removable hanging seats can be found in our online catalogue in the download area of the respective product.

Item Number

Dimensions in mm / Specification



**HEWI Rail with shower head holder ø 32 mm**

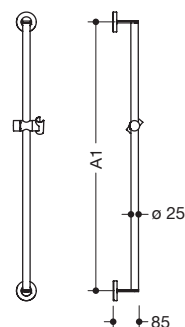
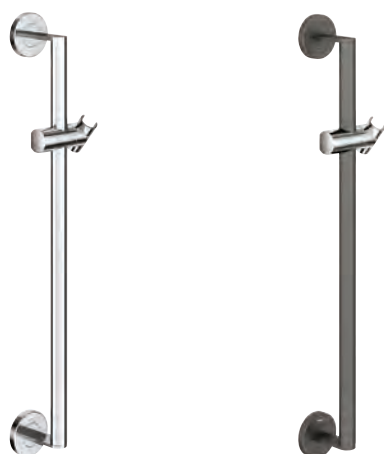
- rail ø 32 mm, 88 mm deep, tube thickness 2 mm, roses ø 70 mm
- made of high-quality stainless steel
- shower head holder made of high-quality matt polyamide in HEWI colours 98 (signal white), 92 (anthracite grey) and 90 (jet black)
- suitable for various manufacturers' shower heads
- shower head holder can be tilted continuously and, after pressing a large pushbutton, its height can be adjusted
- conical adapter on shower head holder facilitates accommodation of handspray
- incl. non-corrosive and tested HEWI fixing material for wall mounting
- additional sealing of the drilling points possible with sealing tape (included in delivery)
- upper mounting point (non-visible area) is accessible for easy replacement of shower head holder

For the satin finished or chrome-plated version please advise colour of shower head holder when ordering.

A1 (in mm)	satin finished	chrome-plated	powder-coated
600	<b>900.33.000XA</b>	<b>900.33.00040</b>	<b>900.33.00060</b>
900	<b>900.33.001XA</b>	<b>900.33.00140</b>	<b>900.33.00160</b>
1100	<b>900.33.002XA</b>	<b>900.33.00240</b>	<b>900.33.00260</b>
600 - 1250*	<b>900.33.0S0XA</b>		



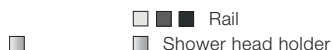
\*Please advise A1 when ordering.



**HEWI Rail with shower head holder ø 25 mm**

- do., rail ø 25 mm, 85 mm deep
- shower head holder made of synthetic material, chrome-plated

A1 (in mm)	chrome-plated	powder-coated
600	<b>900.33.03040</b>	<b>900.33.03060</b>
900	<b>900.33.03140</b>	<b>900.33.03160</b>
1100	<b>900.33.03240</b>	<b>900.33.03260</b>



**HEWI Powder coating | Material combinations with synthetic material**

- ☐ ...60 AS matt white | matt white synthetic material
- ...60 ER matt dark grey pearl mica | matt black synthetic material
- ...60 CV matt black | matt black synthetic material

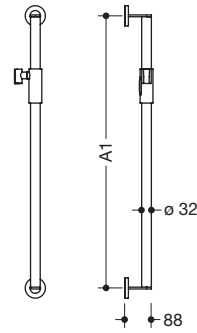
**HEWI Powder coating | Material combinations with chrome**

- ☐ ...60 WD matt white | chrome
- ...60 DD matt dark grey pearl mica | chrome
- ...60 JK matt black | chrome



Item Number

Dimensions in mm / Specification



**HEWI Rail with shower head holder ø 32 mm with magnetic shower holder**

- rail ø 32 mm, 88 mm deep, tube thickness 2 mm, roses ø 70 mm
- made of high-quality stainless steel
- with magnetic shower holder made of high-quality stainless steel
- suitable for various manufacturers' shower heads
- simple and intuitive one-hand operation
- shower head holder infinitely adjustable, automatically fixed in place by magnets
- wear-free clamping mechanism
- conical holder on shower holder can be adjusted to any angle
- incl. non-corrosive and tested HEWI fixing material for wall mounting
- additional sealing of the drilling points possible with sealing tape (included in delivery)

When ordering the satin finished or chrome-plated versions, please specify colour 90 additionally (e.g.: 900.33M000XA90)

**New**

A1 (in mm)	satin finished	chrome-plated	powder-coated
600	<b>900.33M000XA</b>	<b>900.33M00040</b>	<b>900.33M00060</b>
900	<b>900.33M001XA</b>	<b>900.33M00140</b>	<b>900.33M00160</b>
1100	<b>900.33M002XA</b>	<b>900.33M00240</b>	<b>900.33M00260</b>
600 - 1250*	<b>900.33M0S0XA</b>		



\*Please advise A1 when ordering.

**HEWI Powder coating | Material combinations**

- ☐ ...60 VH matt white | matt light grey synthetic material
- ...60 ER matt dark grey pearl mica | matt black synthetic material
- ...60 CV matt black | matt black synthetic material

**HEWI Colours | Surfaces**

- ☐ 98
- 92
- ☑ XA
- ☐ Chr

- 66771
- 66758, 66759, 67971
- 66766, 66778, 67974
- 66779
- 510640, 71830, 71831

- HEWI Shower head holder for ø 32 mm
- HEWI Rose
- HEWI Rose with hole
- HEWI Tight round plate, packing unit 10 pcs.
- HEWI Compensating washer for offset tiles

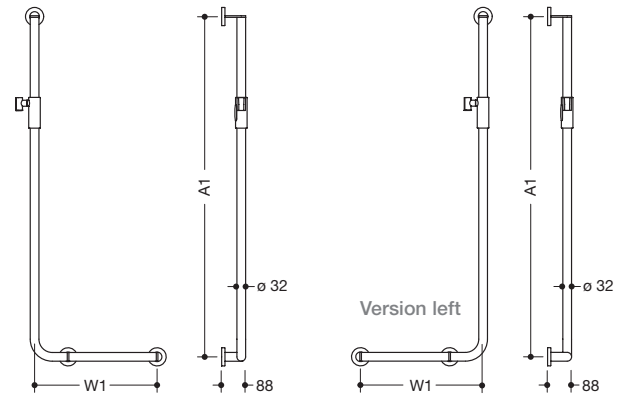


Item Number

Dimensions in mm / Specification



Version right



System 900

**HEWI L-shaped support rail ø 32 mm with magnetic shower holder**

- rails ø 32 mm, 88 mm deep, tube thickness 2 mm, roses ø 70 mm
- made of high-quality stainless steel
- with magnetic shower holder made of high-quality stainless steel
- suitable for various manufacturers' shower heads
- simple and intuitive one-hand operation
- shower head holder infinitely adjustable, automatically fixed in place by magnets
- wear-free clamping mechanism
- conical holder on shower holder can be adjusted to any angle
- for mounting on the wall with specific HEWI fixing material and roses
- incl. non-corrosive and tested HEWI fixing material for wall mounting
- additional sealing of the drilling points possible with sealing tape (included in delivery)

When ordering the satin finished or chrome-plated versions, please specify colour 90 additionally (e.g.: 900.33M200XA90)

**New**

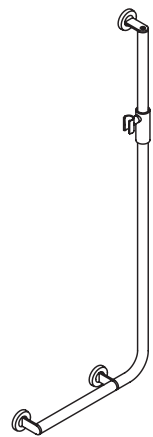
A1 x W1 (in mm)	Version right, satin finished	Version left, satin finished
1250 x 450	<b>900.33M200XA</b>	<b>900.33M202XA</b>
1250 x 600	<b>900.33M201XA</b>	<b>900.33M203XA</b>
600 - 1250 x 300 - 850*	<b>900.33M2S0XA</b>	<b>900.33M2S1XA</b>

**New**

A1 x W1 (in mm)	Version right, chrome-plated	Version left, chrome-plated
1250 x 450	<b>900.33M20040</b>	<b>900.33M20240</b>
1250 x 600	<b>900.33M20140</b>	<b>900.33M20340</b>

**New**

A1 x W1 (in mm)	Version right, powder-coated	Version left, powder-coated
1250 x 450	<b>900.33M20060</b>	<b>900.33M20260</b>
1250 x 600	<b>900.33M20160</b>	<b>900.33M20360</b>



Version left

**Please note when using with removable hanging seats**

Compatibility check required. A detailed list of the possible combinations of support rails, L-shaped support rails and shower head rails with matching removable hanging seats can be found in our online catalogue in the download area of the respective product.

\*Please advise A1 and W1 when ordering.

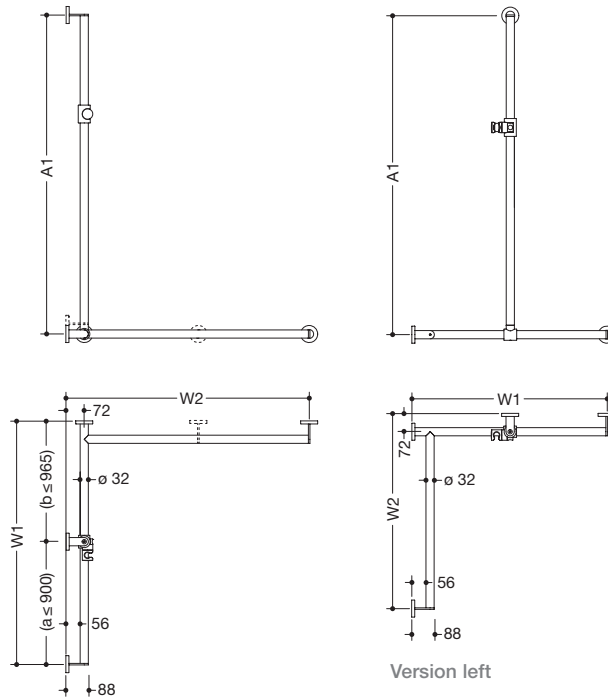
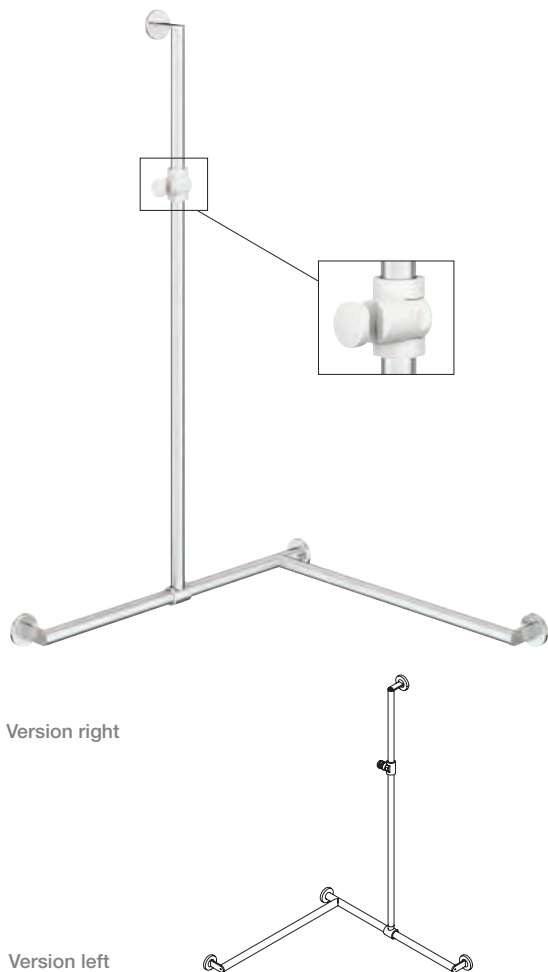
**HEWI Powder coating | Material combinations**

- ...60 VH matt white | matt light grey synthetic material
- ...60 ER matt dark grey pearl mica | matt black synthetic material
- ...60 CV matt black | matt black synthetic material

- 66771
- 66758, 66759, 67971
- 66766, 66778, 67974
- 66779
- 802.03...200
- 510640, 71830, 71831

**HEWI Shower head holder for ø 32 mm**

- HEWI Rose
- HEWI Rose with hole
- HEWI Tight round plate, packing unit 10 pcs.
- HEWI Storage box see page 221
- HEWI Compensating washer for offset tiles



**HEWI Rail with sideways adjustable vertical support bar and shower head holder ø 32**

- with shower head rail that can be moved to the side (for installation)
- rails ø 32 mm, tube thickness 2 mm, roses ø 70 mm, 88 mm deep
- made of high-quality stainless steel
- shower head holder made of high-quality matt polyamide in HEWI colours 98 (signal white) and 92 (anthracite grey)
- suitable for various manufacturers' shower heads
- shower head holder can be tilted continuously and, after pressing a large pushbutton, its height can be adjusted
- conical adapter on shower head holder facilitates accommodation of handspray
- reduced number of mounting roses due to innovative corner connection
- compensation of angle tolerance in room corner up to +/- 2° possible
- incl. non-corrosive and tested HEWI fixing material for wall mounting
- additional sealing of the drilling points possible with sealing tape (included in delivery)
- upper mounting point (non-visible area) is accessible for easy replacement of shower head holder

Please advise colour of shower head holder when ordering.

- ☒ ☐ Rails
- ☒ ■ Shower head holder

A1xW1xW2 (in mm)	Version right, satin finished	Version left satin finished	Version right chrome-plated	Version left, chrome-plated
1250 x 765 x 765	<b>900.35.300XA</b>	<b>900.35.303XA</b>	<b>900.35.30040</b>	<b>900.35.30340</b>
1250 x 965 x 965	<b>900.35.301XA*</b>	<b>900.35.304XA*</b>	<b>900.35.30140*</b>	<b>900.35.30440*</b>
1250 x 1185 x 765	<b>900.35.302XA</b>	<b>900.35.305XA</b>	<b>900.35.30240</b>	<b>900.35.30540</b>
1250 x 765 x 965	<b>900.35.306XA*</b>	<b>900.35.307XA*</b>	<b>900.35.30640*</b>	<b>900.35.30740*</b>
1250 x 965 x 1185	<b>900.35.308XA*</b>	<b>900.35.309XA*</b>	<b>900.35.30840*</b>	<b>900.35.30940*</b>
600-1250 x 475-1800 x 475-1800	<b>900.35.3S0XA**</b>	<b>900.35.3S2XA**</b>		

**HEWI Colours | Surfaces**

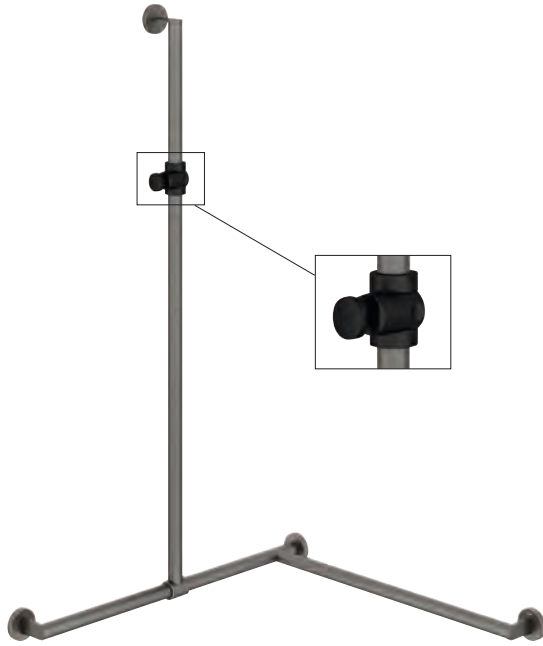
- ☒ ■ 98 92
- ☒ ■ XA Chr

- 66771
- 66758, 66759
- 66764, 66765
- 66779
- 802.03.200
- 510640, 71830, 71831

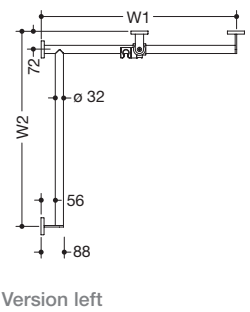
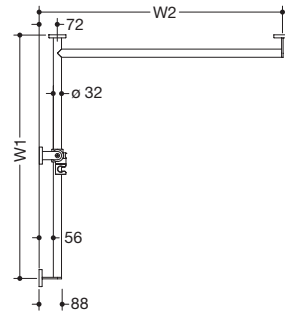
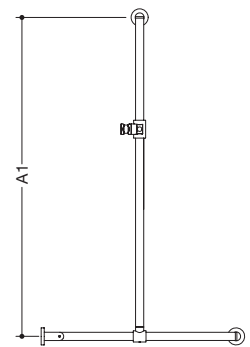
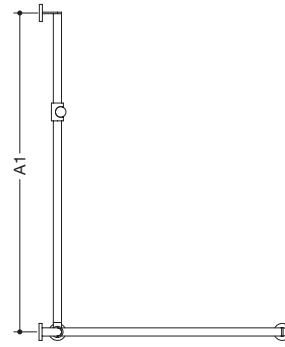
- HEWI Shower head holder for ø 32 mm**
- HEWI Rose**
- HEWI Rose with hole**
- HEWI Tight round plate, packing unit 10 pcs.**
- HEWI Storage box** see page 221
- HEWI Compensating washer for offset tiles**

Item Number

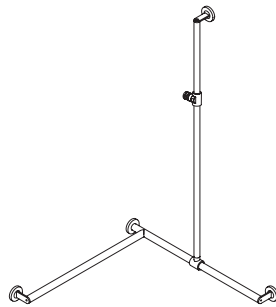
Dimensions in mm / Specification



Version right



Version left



- Rails
- Shower head holder

**HEWI Rail with sideways adjustable vertical support bar and shower head holder ø 32**

- with shower head rail that can be moved to the side (for installation)
- rails ø 32 mm, tube thickness 2 mm, roses ø 70 mm, 88 mm deep
- made of high-quality stainless steel, powder-coated in HEWI colours CV (matt black) and ER (matt dark grey pearl mica) with shower head holder made of matt black polyamide or powder-coated in HEWI colour AS (matt white) with shower head holder made of matt white polyamide
- suitable for various manufacturers' shower heads
- shower head holder can be tilted continuously and, after pressing a large pushbutton, its height can be adjusted
- conical adapter on shower head holder facilitates accommodation of handspray
- reduced number of mounting roses due to innovative corner connection
- compensation of angle tolerance in room corner up to +/- 2° possible
- incl. non-corrosive and tested HEWI fixing material for wall mounting
- additional sealing of the drilling points possible with sealing tape (included in delivery)
- upper mounting point (non-visible area) is accessible for easy replacement of shower head holder

**Please note when using with removable hanging seats**

Compatibility check required. A detailed list of the possible combinations of support rails, L-shaped support rails and shower head rails with matching removable hanging seats can be found in our online catalogue in the download area of the respective product.

\*fulfills ÖNORM B 1600/1601

\*\*From an external dimension of W2 > 965 mm the rail has a centrally positioned, additional wall mounting. From an external dimension of W1 > 1185 mm, A1 has an additional wall mounting.

Please advise A1, W1 and W2 when ordering.

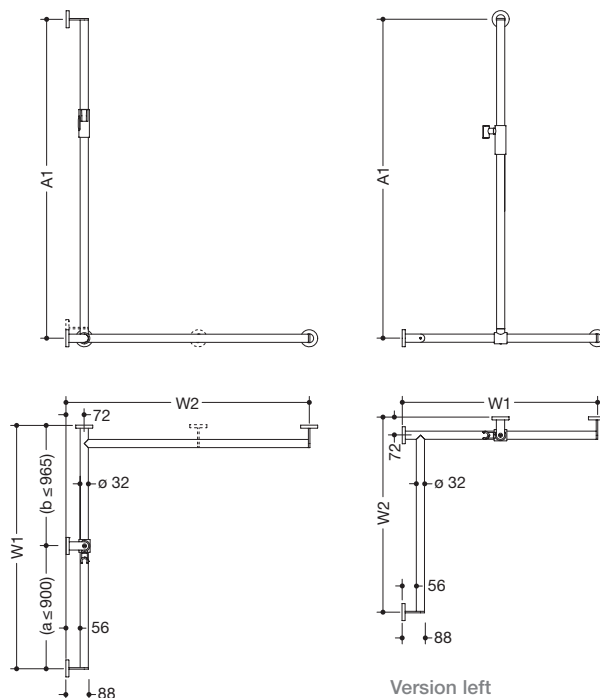
A1xW1xW2 (in mm)	Version right powder-coated	Version left powder-coated
1250 x 765 x 765	<b>900.35.30060</b>	<b>900.35.30360</b>
1250 x 965 x 965	<b>900.35.30160*</b>	<b>900.35.30460*</b>
1250 x 1185 x 765	<b>900.35.30260</b>	<b>900.35.30560</b>
1250 x 765 x 965	<b>900.35.30660*</b>	<b>900.35.30760*</b>
1250 x 965 x 1185	<b>900.35.30860*</b>	<b>900.35.30960*</b>

**HEWI Powder coating | Material combinations**

- ...60 AS matt white | matt white synthetic material
- ...60 ER matt dark grey pearl mica | matt black synthetic material
- ...60 CV matt black | matt black synthetic material

- 66771
- 67971
- 67974
- 66779
- 802.03B200
- 510640, 71830, 71831

- HEWI Shower head holder for ø 32 mm**
- HEWI Rose**
- HEWI Rose with hole**
- HEWI Tight round plate, packing unit 10 pcs.**
- HEWI Storage box** see page 221
- HEWI Compensating washer for offset tiles**



**HEWI Rail with sideways adjustable vertical support bar and magnetic shower head holder ø 32**

- with shower head rail that can be moved to the side (for installation)
- rails ø 32 mm, tube thickness 2 mm, roses ø 70 mm, 88 mm deep
- made of high-quality stainless steel
- with magnetic shower holder made of high-quality stainless steel
- suitable for various manufacturers' shower heads
- simple and intuitive one-hand operation
- shower head holder infinitely adjustable, automatically fixed in place by magnets, wear-free clamping mechanism
- conical holder on shower holder can be adjusted to any angle
- reduced number of mounting roses due to innovative corner connection
- compensation of angle tolerance in room corner up to +/- 2° possible
- incl. non-corrosive and tested HEWI fixing material for wall mounting
- additional sealing of the drilling points possible with sealing tape (included in delivery)
- upper mounting point (non-visible area) is accessible for easy replacement of shower head holder

**\*Attention:**

From an external dimension of W2 > 965 mm the rail has a centrally positioned, additional wall mounting.  
 From an external dimension of W1 > 1185 mm, A1 has an additional wall mounting.



When ordering the satin finished or chrome-plated versions, please specify colour 90 additionally (e.g.: 900.35M300XA90)

A1xW1xW2 (in mm)	Version right satin finished	Version left satin finished	Version right chrome-plated	Version left chrome-plated
1250 x 765 x 765	<b>900.35M300XA</b>	<b>900.35M303XA</b>	<b>900.35M30040</b>	<b>900.35M30340</b>
1250 x 965 x 965	<b>900.35M301XA*</b>	<b>900.35M304XA*</b>	<b>900.35M30140*</b>	<b>900.35M30440*</b>
1250 x 1185 x 765	<b>900.35M302XA</b>	<b>900.35M305XA</b>	<b>900.35M30240</b>	<b>900.35M30540</b>
1250 x 765 x 965	<b>900.35M306XA*</b>	<b>900.35M307XA*</b>	<b>900.35M30640*</b>	<b>900.35M30740*</b>
1250 x 965 x 1185	<b>900.35M308XA*</b>	<b>900.35M309XA*</b>	<b>900.35M30840*</b>	<b>900.35M30940*</b>
600-1250 x 475-1800 x 475-1800*	<b>900.35M3S0XA</b>	<b>900.35M3S2XA</b>		

**HEWI Surfaces**



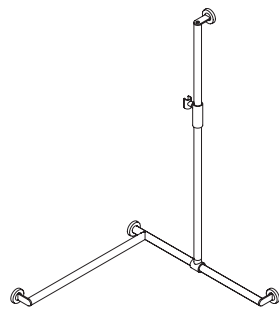
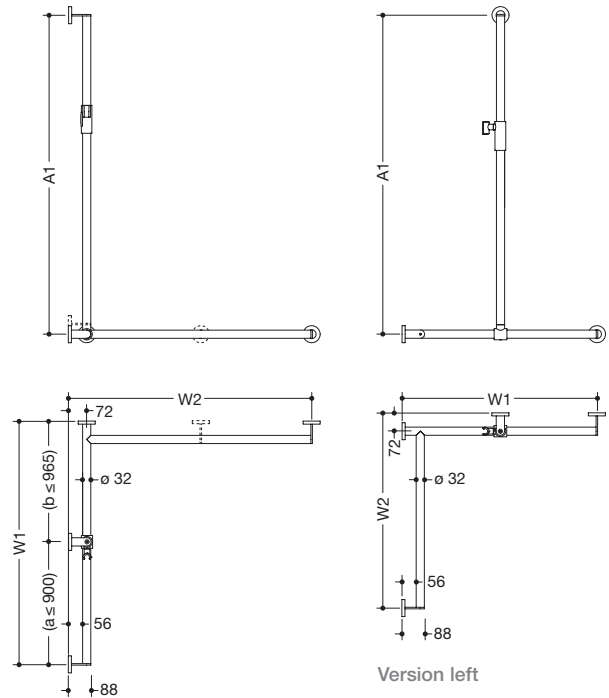
XA Chr

66758, 66759  
 66764, 66765  
 66779  
 802.03.200  
 510640, 71830, 71831

**HEWI Rose**  
**HEWI Rose with hole**  
**HEWI Tight round plate, packing unit 10 pcs.**  
**HEWI Storage box** see page 221  
**HEWI Compensating washer for offset tiles**



Version right



Version left



**HEWI Rail with sideways adjustable vertical support bar and magnetic shower head holder ø 32**

- with shower head rail that can be moved to the side (for installation)
- rails ø 32 mm, tube thickness 2 mm, roses ø 70 mm, 88 mm deep
- made of high-quality stainless steel, powder-coated in HEWI colours CV (matt black), ER (matt dark grey pearl mica) and VH (matt white) with powder-coated magnetic shower head holder in the same colour
- suitable for various manufacturers' shower heads
- simple and intuitive one-hand operation
- shower head holder infinitely adjustable, automatically fixed in place by magnets
- wear-free clamping mechanism
- conical holder on shower holder can be adjusted to any angle
- reduced number of mounting roses due to innovative corner connection
- compensation of angle tolerance in room corner up to +/- 2° possible
- incl. non-corrosive and tested HEWI fixing material for wall mounting
- additional sealing of the drilling points possible with sealing tape (included in delivery)
- upper mounting point (non-visible area) is accessible for easy replacement of shower head holder

**New**

A1xW1xW2 (in mm)	Version right powder-coated	Version left powder-coated
1250 x 765 x 765	<b>900.35M30060</b>	<b>900.35M30360</b>
1250 x 965 x 965	<b>900.35M30160*</b>	<b>900.35M30460*</b>
1250 x 1185 x 765	<b>900.35M30260</b>	<b>900.35M30560</b>
1250 x 765 x 965	<b>900.35M30660*</b>	<b>900.35M30760*</b>
1250 x 965 x 1185	<b>900.35M30860*</b>	<b>900.35M30960*</b>

**Please note when using with removable hanging seats**

Compatibility check required. A detailed list of the possible combinations of support rails, L-shaped support rails and shower head rails with matching removable hanging seats can be found in our online catalogue in the download area of the respective product.

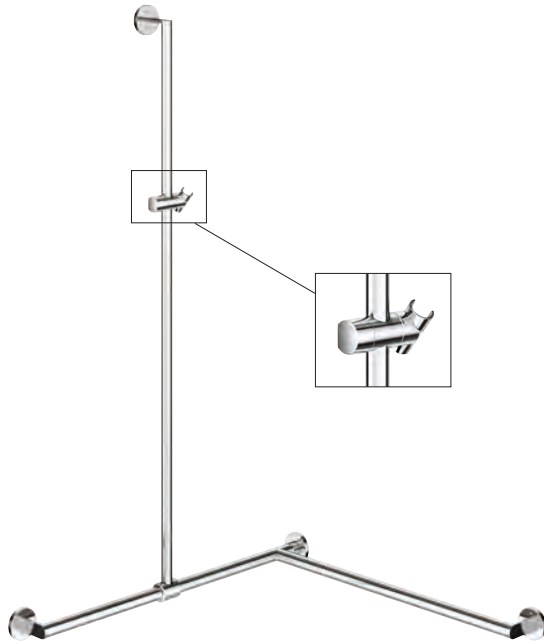
\*fulfils ÖNORM B 1600/1601

**HEWI Powder coating | Material combinations**

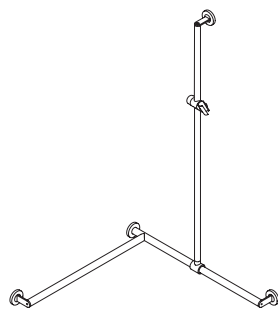
- ☐ ...60 VH matt white | matt light grey synthetic material
- ...60 ER matt dark grey pearl mica | matt black synthetic material
- ...60 CV matt black | matt black synthetic material

**67971**  
**67974**  
**66779**  
**802.03B200**  
**510640, 71830, 71831**

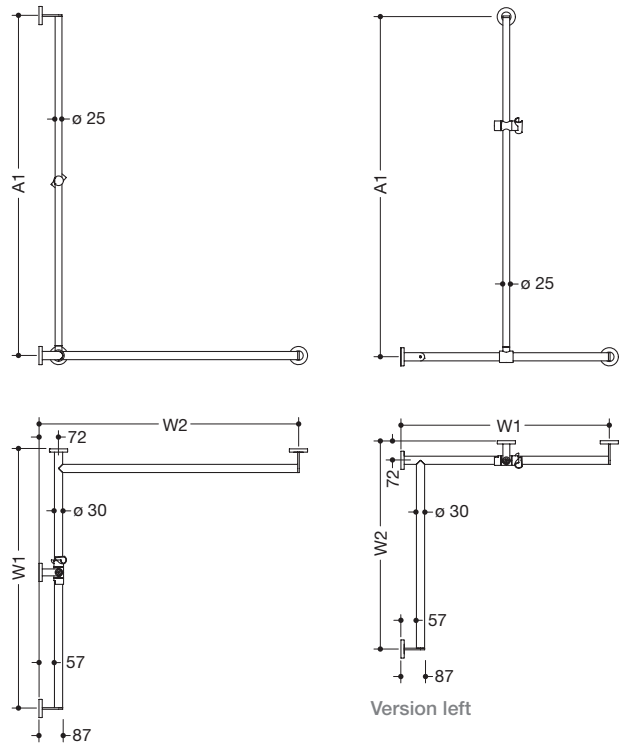
**HEWI Rose**  
**HEWI Rose with hole**  
**HEWI Tight round plate, packing unit 10 pcs.**  
**HEWI Storage box** see page 221  
**HEWI Compensating washer for offset tiles**



Version right



Version left



**HEWI Rail with sideways adjustable vertical support bar and shower head holder**

- with shower head rail that can be moved to the side (for installation)
- vertical rail  $\varnothing 25$  mm, horizontal rails  $\varnothing 30$  mm, tube thickness 2 mm, roses  $\varnothing 70$  mm, 87 mm deep
- made of high-quality stainless steel, chrome-plated
- shower head holder made of synthetic material, chrome-plated
- suitable for various manufacturers' shower heads
- shower head holder can be tilted continuously and, after pressing a large pushbutton, its height can be adjusted
- conical adapter on shower head holder facilitates accommodation of handspray
- reduced number of mounting roses due to innovative corner connection
- compensation of angle tolerance in room corner up to  $\pm 2^\circ$  possible
- incl. non-corrosive and tested HEWI fixing material for wall mounting
- additional sealing of the drilling points possible with sealing tape (included in delivery)
- upper mounting point (non-visible area) is accessible for easy replacement of shower head holder

A1xW1xW2 (in mm)	Version right chrome-plated	Version left chrome-plated
1250 x 765 x 765	<b>900.35.33040</b>	<b>900.35.33340</b>
1250 x 965 x 965	<b>900.35.33140*</b>	<b>900.35.33440*</b>
1250 x 1185 x 765	<b>900.35.33240</b>	<b>900.35.33540</b>
1250 x 765 x 965	<b>900.35.33640*</b>	<b>900.35.33740*</b>
1250 x 965 x 1185	<b>900.35.33840</b>	<b>900.35.33940</b>

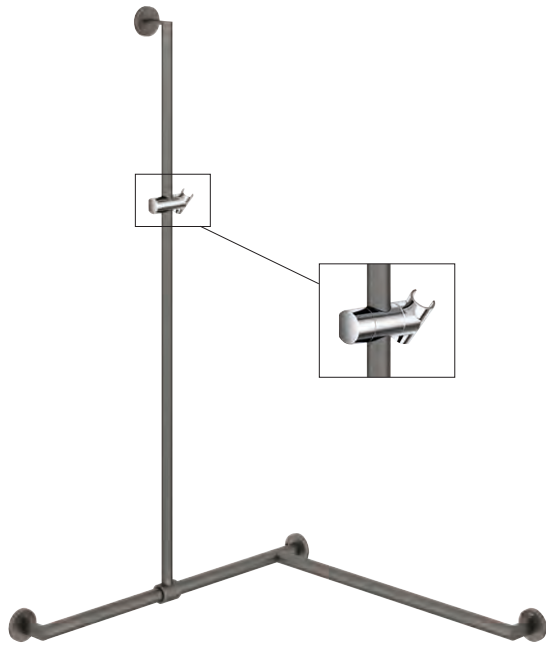
**HEWI Surfaces**

Chr

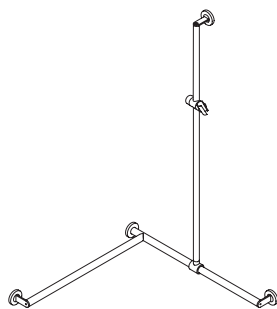
70899  
66759  
66763  
66779  
802.03.200  
510640, 71830, 71831

**HEWI Shower head holder for  $\varnothing 25$  mm**  
**HEWI Rose**  
**HEWI Rose with hole**  
**HEWI Tight round plate, packing unit 10 pcs.**  
**HEWI Storage box** see page 221  
**HEWI Compensating washer for offset tiles**



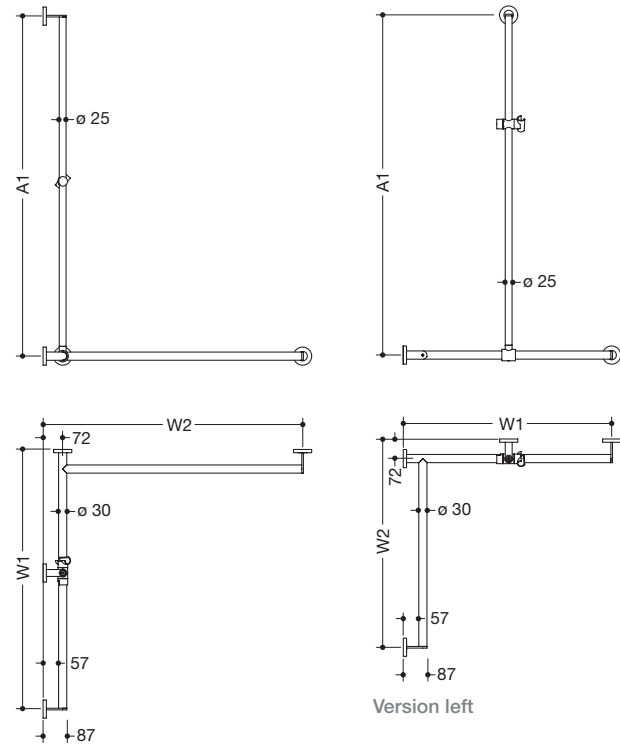


Version right



Version left

- ■ ■ Rails
- Shower head holder



System 900

**HEWI Rail with sideways adjustable vertical support bar and shower head holder**

- with shower head rail that can be moved to the side (for installation)
- vertical rail ø 25 mm, horizontal rails ø 30 mm, tube thickness 2 mm, roses ø 70 mm, 87 mm deep
- made of high-quality stainless steel, powder-coated in HEWI colours WD (matt white), JK (matt black) and DD (matt dark grey pearl mica)
- shower head holder made of synthetic material, chrome-plated
- suitable for various manufacturers' shower heads
- shower head holder can be tilted continuously and, after pressing a large pushbutton, its height can be adjusted
- conical adapter on shower head holder facilitates accommodation of handspray
- reduced number of mounting roses due to innovative corner connection
- compensation of angle tolerance in room corner up to +/- 2° possible
- incl. non-corrosive and tested HEWI fixing material for wall mounting
- additional sealing of the drilling points possible with sealing tape (included in delivery)
- upper mounting point (non-visible area) is accessible for easy replacement of shower head holder

**Please note when using with removable hanging seats**

Compatibility check required. A detailed list of the possible combinations of support rails, L-shaped support rails and shower head rails with matching removable hanging seats can be found in our online catalogue in the download area of the respective product.

\*fulfils ÖNORM B 1600/1601

A1xW1xW2 (in mm)	Version right powder-coated	Version left powder-coated
1250 x 765 x 765	<b>900.35.33060</b>	<b>900.35.33360</b>
1250 x 965 x 965	<b>900.35.33160*</b>	<b>900.35.33460*</b>
1250 x 1185 x 765	<b>900.35.33260</b>	<b>900.35.33560</b>
1250 x 765 x 965	<b>900.35.33660*</b>	<b>900.35.33760*</b>
1250 x 965 x 1185	<b>900.35.33860</b>	<b>900.35.33960</b>

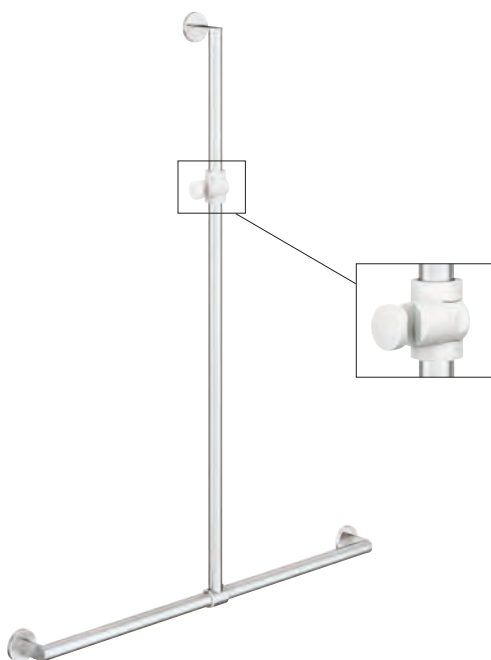
**HEWI Powder coating | Material combinations**

- ...60 WD matt white | chrome
- ...60 DD matt dark grey pearl mica | chrome
- ...60 JK matt black | chrome

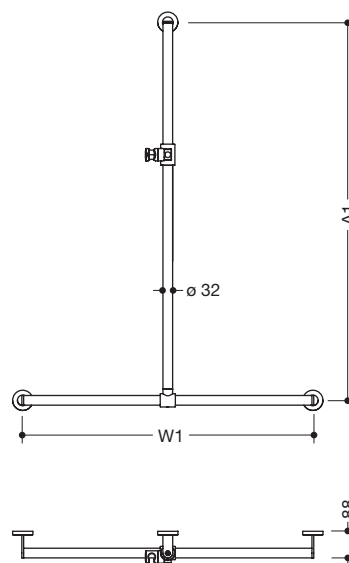
- 70899
- 67971
- 67972
- 66779
- 802.03B200
- 510640, 71830, 71831

**HEWI Shower head holder for ø 25 mm**

- HEWI Rose
- HEWI Rose with hole
- HEWI Tight round plate, packing unit 10 pcs.
- HEWI Storage box see page 221
- HEWI Compensating washer for offset tiles



- Rails
- Shower head holder



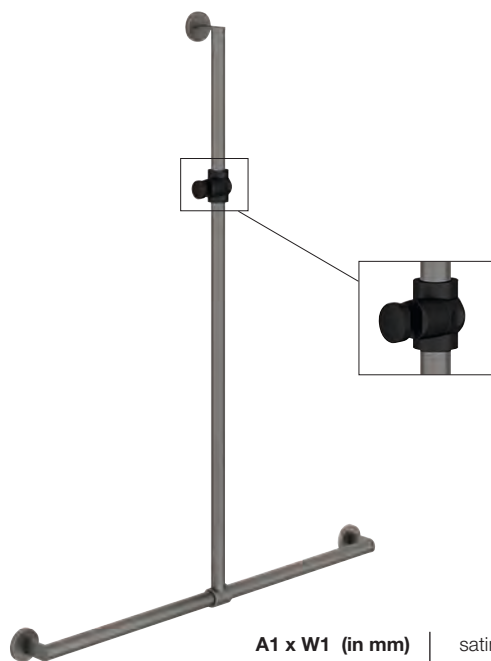
**HEWI Rail with sideways adjustable vertical support bar  $\varnothing$  32 mm and shower head holder**

- with shower head rail that can be moved to the side (for installation)
- rails  $\varnothing$  32 mm, tube thickness 2 mm, roses  $\varnothing$  70 mm, 88 mm deep
- made of high-quality stainless steel
- shower head holder made of high-quality matt polyamide in HEWI colours 98 (signal white), 92 (anthracite grey) and 90 (jet black)
- suitable for various manufacturers' shower heads
- shower head holder can be tilted continuously and, after pressing a large pushbutton, its height can be adjusted
- conical adapter on shower head holder facilitates accommodation of handspray
- incl. non-corrosive and tested HEWI fixing material for wall mounting
- additional sealing of the drilling points possible with sealing tape (included in delivery)
- upper mounting point (non-visible area) is accessible for easy replacement of shower head holder

For the satin finished or chrome-plated version please advise colour of shower head holder when ordering.

**Please note when using with removable hanging seats**

Compatibility check required. A detailed list of the possible combinations of support rails, L-shaped support rails and shower head rails with matching removable hanging seats can be found in our online catalogue in the download area of the respective product.



- Rails
- Shower head holder

A1 x W1 (in mm)	satin finished	chrome-plated	powder-coated
1250 x 765	<b>900.35.400XA</b>	<b>900.35.40040</b>	<b>900.35.40060</b>
1250 x 965	<b>900.35.401XA</b>	<b>900.35.40140</b>	<b>900.35.40160</b>
1250 x 1185	<b>900.35.402XA</b>	<b>900.35.40240</b>	<b>900.35.40260</b>
600 - 1250 x 300 - 1500*	<b>900.35.4S0XA</b>		

**\*Attention:**

From an external dimension of W1 > 1185 mm, A1 has an additional wall mounting. Please advise A1 and W1 when ordering.

**HEWI Powder coating | Material combinations with synthetic material**

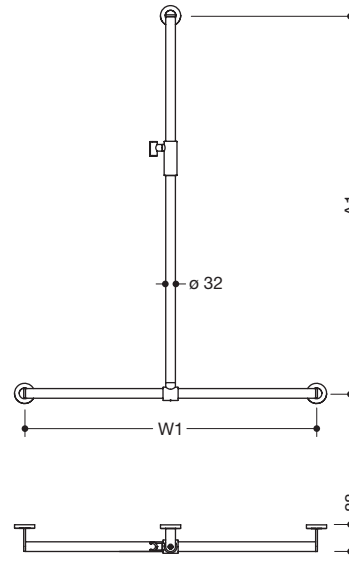
- ...60 AS matt white | matt white synthetic material
- ...60 ER matt dark grey pearl mica | matt black synthetic material
- ...60 CV matt black | matt black synthetic material

Item Number

Dimensions in mm / Specification



- Rails
- Shower head holder



System 900

**HEWI Rail with sideways adjustable vertical support bar ø 32 mm and magnetic shower head holder**

- with shower head rail that can be moved to the side (for installation)
- rails ø 32 mm, tube thickness 2 mm, roses ø 70 mm, 88 mm deep
- made of high-quality stainless steel
- with magnetic shower holder made of high-quality stainless steel
- suitable for various manufacturers' shower heads
- simple and intuitive one-hand operation
- shower head holder infinitely adjustable, automatically fixed in place by magnets
- wear-free clamping mechanism
- conical holder on shower holder can be adjusted to any angle
- incl. non-corrosive and tested HEWI fixing material for wall mounting
- additional sealing of the drilling points possible with sealing tape (included in delivery)
- upper mounting point (non-visible area) is accessible for easy replacement of shower head holder

When ordering the satin finished or chrome-plated versions, please specify colour 90 additionally (e.g.: 900.35M400XA90)

**Please note when using with removable hanging seats**

Compatibility check required. A detailed list of the possible combinations of support rails, L-shaped support rails and shower head rails with matching removable hanging seats can be found in our online catalogue in the download area of the respective product.



- Rails
- Shower head holder

**New**

A1 x W1 (in mm)	satin finished	chrome-plated	powder-coated
1250 x 765	<b>900.35M400XA</b>	<b>900.35M40040</b>	<b>900.35M40060</b>
1250 x 965	<b>900.35M401XA</b>	<b>900.35M40140</b>	<b>900.35M40160</b>
1250 x 1185	<b>900.35M402XA</b>	<b>900.35M40240</b>	<b>900.35M40260</b>
600 - 1250 x 300 - 1500*	<b>900.35M4S0XA</b>		

**HEWI Powder coating | Material combinations**

- ...60 VH matt white | matt light grey synthetic material
- ...60 ER matt dark grey pearl mica | matt black synthetic material
- ...60 CV matt black | matt black synthetic material

**\*Attention:**

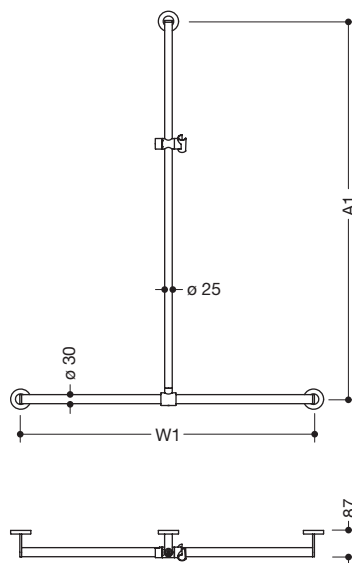
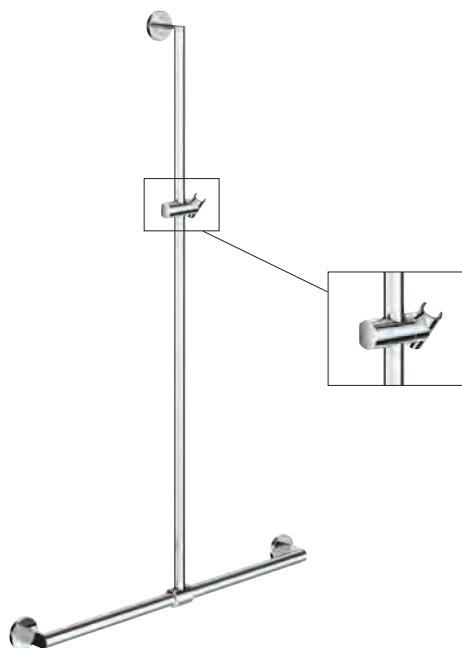
From an external dimension of W1 > 1185 mm, A1 has an additional wall mounting. Please advise A1 and W1 when ordering.

**HEWI Colours | Surfaces**

- 98
- 92
- XA
- Chr

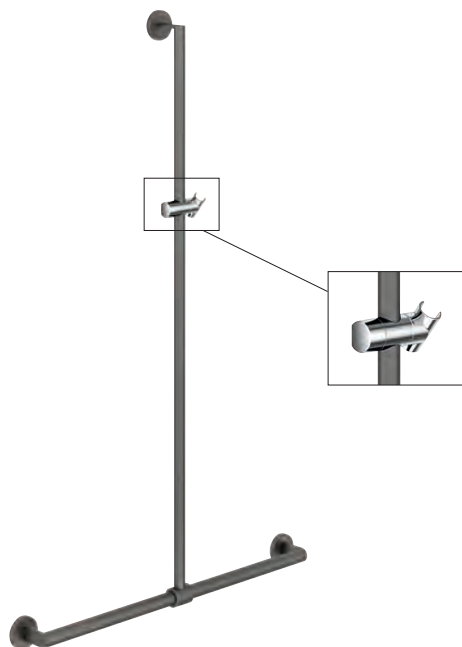
- 66771
- 66758, 66759, 67971
- 6676...
- 66779
- 802.03...200
- 510640, 71830, 71831

- HEWI Shower head holder for ø 32 mm**
- HEWI Rose**
- HEWI Rose with hole**
- HEWI Tight round plate, packing unit 10 pcs.**
- HEWI Storage box** see page 221
- HEWI Compensating washer for offset tiles**



**HEWI Rail with sideways adjustable vertical support bar and shower head holder**

- with shower head rail that can be moved to the side (for installation)
- vertical rail  $\varnothing$  25 mm, horizontal rail  $\varnothing$  30 mm, tube thickness 2 mm, roses  $\varnothing$  70 mm, 87 mm deep
- made of high-quality stainless steel
- shower head holder made of synthetic material, chrome-plated
- suitable for various manufacturers' shower heads
- shower head holder can be tilted continuously and, after pressing a large pushbutton, its height can be adjusted
- conical adapter on shower head holder facilitates accommodation of handspray
- incl. non-corrosive and tested HEWI fixing material for wall mounting
- additional sealing of the drilling points possible with sealing tape (included in delivery)
- upper mounting point (non-visible area) is accessible for easy replacement of shower head holder



A1 x W1 (in mm)	chrome-plated	powder-coated
1250 x 765	<b>900.35.43040</b>	<b>900.35.43060</b>
1250 x 965	<b>900.35.43140</b>	<b>900.35.43160</b>
1250 x 1185	<b>900.35.43240</b>	<b>900.35.43260</b>

- ■ ■ Rails
- Shower head holder

**Please note when using with removable hanging seats**

Compatibility check required. A detailed list of the possible combinations of support rails, L-shaped support rails and shower head rails with matching removable hanging seats can be found in our online catalogue in the download area of the respective product.

**HEWI Powder coating | Material combinations**

- ...60 WD matt white | chrome
- ...60 DD matt dark grey pearl mica | chrome
- ...60 JK matt black | chrome

- 70899
- 66759
- 66763
- 66779
- 802.03.200
- 510640, 71830, 71831

**HEWI Shower head holder for  $\varnothing$  25 mm**

- HEWI Rose
- HEWI Rose with hole
- HEWI Tight round plate, packing unit 10 pcs.
- HEWI Storage box see page 221
- HEWI Compensating washer for offset tiles

Item Number

Dimensions in mm / Specification

---

System 900

# System 900

## Sit

### VARIETY OF VARIANTS

- Extremely lightweight hanging seats
- Permanently installed hinged seats
- Mobile tool-free solutions

### COMFORT

- Pleasant, non-slip surface
- Slightly molded seat and the ergonomic backrest ensure stable positioning
- Plastic seat yields slightly, especially soft seats

### SEALING ELEMENT

- Assembly plate can be supplemented with sealing tape (included in the delivery scope)
- Seals the fixing element reliably toward the wall
- Compensates joints or unevenness on walls



---

#### MOBILE SOLUTION

- Shower seats are available as a mobile solution
- Mobile shower seat is clicked into position in a permanently mounted assembly plate as required
- Assembly and dismantling does not require any tools



·

#### RELIABLE TECHNOLOGY

- Pre-set brake absorbs seat lowering and minimises the risk of injury
- Reliable fixing and solid design improve stability

---

#### HYGIENIC DESIGN

- Seat surface made of thermoplastic (polypropylene) is resistant to cleaning and wound disinfectant (no discolouration)
- Minimum number of components, few joints
- Easy-care, leaning agent-resistant materials
- Concealed fixing
- No water stains

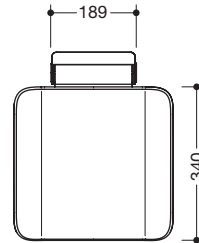
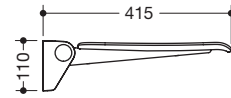
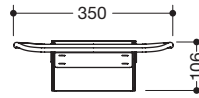
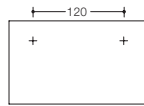
Item Number

Dimensions in mm / Specification

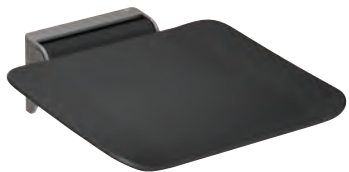


- Wall bracket
- Seat

Drill hole



- Wall bracket
- Seat



- Wall bracket
- Seat

**900.51.200XA**  
**900.51.20040**  
**900.51.20060**

**HEWI Hinged seat**

- slip-resistant, textured seat made of synthetic material in HEWI colours 98 (signal white), 92 (anthracite grey)
- seat can be folded up to save space
- reinforcement of the seat made of aluminum, powder-coated in colour of the seat, loading capacity 150 kg
- seat depth when folded up 77 mm
- aluminum seat bracket ensures stability and safety
- moulded seat defines the sitting position (lightly curved shape provides pleasant support)
- seat made of thermoplastic synthetic material (polypropylene) enables an extremely resistant, hygienic surface and particularly soft seat comfort
- maintenance free, permanently smooth and easy moving joint
- 350 mm wide, 415 mm deep and 110 mm high
- seat 350 mm wide and 340 mm deep
- for mounting with corrosion-free and tested HEWI fixing material for different wall constructions (to be ordered separately)
- additional sealing of the drilling points possible with sealing tape (included in delivery)
- wall bracket made of stainless steel, satin finished
- wall bracket made of stainless steel, chrome-plated
- wall bracket made of stainless steel, powder-coated in HEWI colour AS (matt white) with white seat or powder-coated in HEWI colours ER (matt dark grey pearl mica) and CV (matt black) with black seat

Please advise colour of seat resp. colour combination when ordering.

**Fixing material to be ordered separately page 738**

for fixing on walls made of:

- concrete > C20/C25, national technical approval number: ETA-11/0493
- concrete > C20/C25
- autoclaved aerated concrete (> P2)
- lightweight walls with rear lining made of laminated timber boards ...
- lightweight walls with integrated steel plates ...
- hollow concrete block, vertically perforated bricks, solid bricks, ..., national technical approval number: ETA-13/1036

- BM17.2**
- BM10.2**
- BM11.2**
- BM12.2**
- BM13.2**
- BM18.2**

**HEWI Powder coating | Material combinations with synthetic material**

- ...60 AS matt white | matt white synthetic material
- ...60 ER matt dark grey pearl mica | matt black synthetic material
- ...60 CV matt black | matt black synthetic material



Item Number

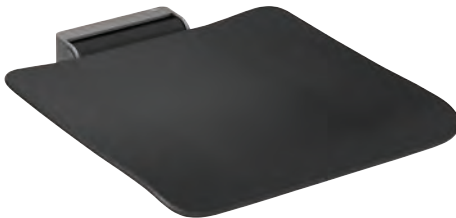
Dimensions in mm / Specification



- Wall bracket
- Seat



- Wall bracket
- Seat



- Wall bracket
- Seat



**900.51.202XA**  
**900.51.20240**  
**900.51.20260**



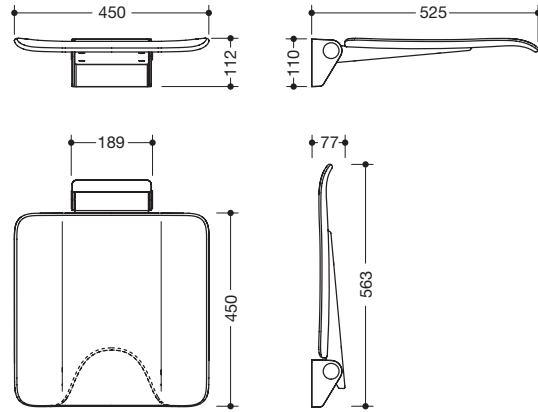
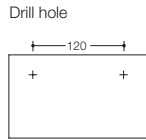
**900.51.204XA**  
**900.51.20440**  
**900.51.20460**



**BM17.2**  
**BM10.2**  
**BM11.2**  
**BM12.2**  
**BM13.2**  
**BM18.2**

**HEWI Matt colours | Surfaces**

- 98
- 92
- XA
- Chr



**HEWI Hinged seat**

- slip-resistant, textured seat made of synthetic material in HEWI colours 98 (signal white), 92 (anthracite grey)
- seat can be folded up to save space
- reinforcement of the seat made of aluminum, powder-coated in colour of the seat, loading capacity 150 kg
- seat depth when folded up 77 mm
- aluminum seat bracket ensures stability and safety
- moulded seat defines the sitting position (lightly curved shape provides pleasant support)
- seat made of thermoplastic synthetic material (polypropylene) enables an extremely resistant, hygienic surface and particularly soft seat comfort
- maintenance free, permanently smooth and easy moving joint
- 450 mm wide, 525 mm deep and 112 mm high
- seat 450 mm wide and 450 mm deep
- for mounting with corrosion-free and tested HEWI fixing material for different wall constructions (to be ordered separately)
- additional sealing of the drilling points possible with sealing tape (included in delivery)
- fulfils the requirements acc. to DIN 18040, ÖNORM B1600/1601 and SIA 500

- wall bracket made of stainless steel, satin finished
- wall bracket made of stainless steel, chrome-plated
- wall bracket made of stainless steel, powder-coated in HEWI colour AS (matt white) with white seat or powder-coated in HEWI colours ER (matt dark grey pearl mica) and CV (matt black) with black seat

**with hygiene cutout**

- wall bracket made of stainless steel, satin finished
- wall bracket made of stainless steel, chrome-plated
- wall bracket made of stainless steel, powder-coated in HEWI colour AS (matt white) with white seat or powder-coated in HEWI colours ER (matt dark grey pearl mica) and CV (matt black) with black seat

Please advise colour of seat resp. colour combination when ordering.

**Fixing material to be ordered separately page 738**

for fixing on walls made of:

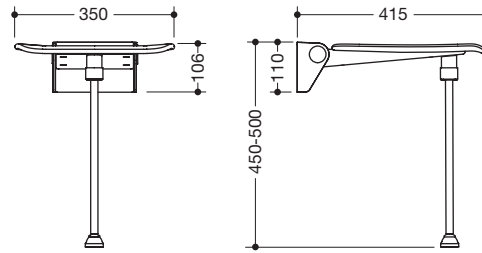
- concrete > C20/C25, national technical approval number: ETA-11/0493
- concrete > C20/C25
- autoclaved aerated concrete (> P2)
- lightweight walls with rear lining made of laminated timber boards ...
- lightweight walls with integrated steel plates ...
- hollow concrete block, vertically perforated bricks, solid bricks, ..., national technical approval number: ETA-13/1036

**HEWI Spare parts for hinged seats** find here:

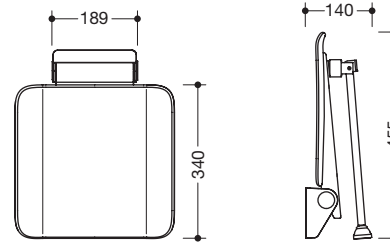
[www.hewi.com/en/spare-parts](http://www.hewi.com/en/spare-parts)



Wall bracket  
 Seat



Wall bracket  
 Seat



Wall bracket  
 Seat

**900.51.201XA**  
**900.51.20140**  
**900.51.20160**

**HEWI Hinged seat with floor support**

- slip-resistant, textured seat made of synthetic material in HEWI colours 98 (signal white) and 92 (anthracite grey)
- reinforcement of the seat made of aluminum, powder-coated in colour of the seat
- seat can be folded up to save space
- seat depth when folded up 77 mm
- loading capacity 150 kg
- with floor support for seat height 450-500 mm, powder-coated in colour of the seat
- 350 mm wide, 415 mm deep and 110 mm high
- seat 350 mm wide and 340 mm deep
- for mounting with corrosion-free and tested HEWI fixing material for different wall constructions (to be ordered separately)
- sealing tape for sealing the fixing points included in delivery
- wall bracket made of stainless steel, satin finished
- wall bracket made of stainless steel, chrome-plated
- wall bracket made of stainless steel, powder-coated in HEWI colour AS (matt white) with white seat or powder-coated in HEWI colours ER (matt dark grey pearl mica) and CV (matt black) with black seat

Please advise colour of seat resp. colour combination when ordering.

**Fixing material to be ordered separately page 738**

for fixing on walls made of:

- concrete > C20/C25, national technical approval number: ETA-11/0493
- concrete > C20/C25
- autoclaved aerated concrete (> P2)
- lightweight walls with rear lining made of laminated timber boards ...
- lightweight walls with integrated steel plates ...
- hollow concrete block, vertically perforated bricks, solid bricks, ..., national technical approval number: ETA-13/1036

- BM17.2**
- BM10.2**
- BM11.2**
- BM12.2**
- BM13.2**
- BM18.2**

**HEWI Powder coating | Material combinations with synthetic material**

- ...60 AS matt white | matt white synthetic material
- ...60 ER matt dark grey pearl mica | matt black synthetic material
- ...60 CV matt black | matt black synthetic material

Item Number

Dimensions in mm / Specification



Wall bracket  
Seat



Wall bracket  
Seat

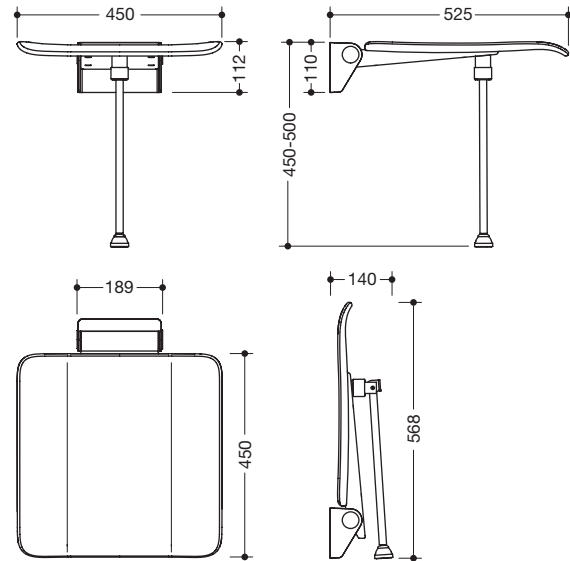


Wall bracket  
Seat



900.51.205XA  
900.51.20540  
900.51.20560

900.51.214XA  
900.51.21440  
900.51.21460



**HEWI Hinged seat with floor support**

- slip-resistant, textured seat made of synthetic material in HEWI colours 98 (signal white) and 92 (anthracite grey)
- reinforcement of the seat made of aluminum, powder-coated in colour of the seat
- wall bracket made of high-quality stainless steel, satin finished
- seat can be folded up to save space
- seat depth when folded up 77 mm
- loading capacity 150 kg
- with floor support for seat height 450-500 mm, powder-coated in colour of the seat
- 450 mm wide, 525 mm deep and 112 mm high
- seat 450 mm wide and 450 mm deep
- for mounting with corrosion-free and tested HEWI fixing material for different wall constructions (to be ordered separately)
- sealing tape for sealing the fixing points included in delivery
- fulfils the requirements acc. to DIN 18040, ÖNORM B1600/1601 and SIA 500

- wall bracket made of stainless steel, satin finished
- wall bracket made of stainless steel, chrome-plated
- wall bracket made of stainless steel, powder-coated in HEWI colour AS (matt white) with white seat or powder-coated in HEWI colours ER (matt dark grey pearl mica) and CV (matt black) with black seat

**with hygiene cutout**

- wall bracket made of stainless steel, satin finished
- wall bracket made of stainless steel, chrome-plated
- wall bracket made of stainless steel, powder-coated in HEWI colour AS (matt white) with white seat or powder-coated in HEWI colours ER (matt dark grey pearl mica) and CV (matt black) with black seat

Please advise colour of seat resp. colour combination when ordering.

**Fixing material to be ordered separately**

see left and page 738

**HEWI Matt colours | Surfaces**

98 92 XA Chr

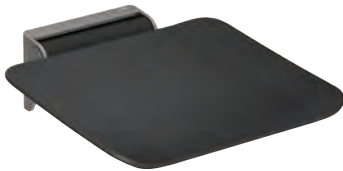
**HEWI Spare parts for hinged seats** find here:  
[www.hewi.com/en/spare-parts](http://www.hewi.com/en/spare-parts)



- ☑ Wall bracket
- ☑ ■ Seat

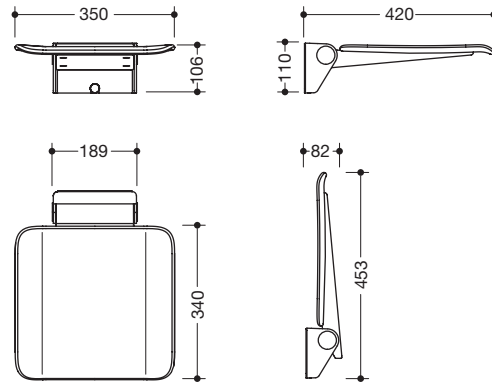


- ☐ Wall bracket
- ☑ ■ Seat



- ☐ ■ Wall bracket
- ☑ ■ Seat

**900.51.400XA**  
**900.51.40040**  
**900.51.40060**



**HEWI Mobile hinged seat**

- slip-resistant, textured seat made of synthetic material in HEWI colours 98 (signal white), 92 (anthracite grey)
- reinforcement of the seat made of aluminum, powder-coated in colour of the seat
- seat can be folded up to save space
- seat depth when folded up 82 mm
- loading capacity 150 kg
- aluminum seat bracket ensures stability and safety
- moulded seat defines the sitting position (lightly curved shape provides pleasant support)
- seat made of thermoplastic synthetic material (polypropylene) enables an extremely resistant, hygienic surface and particularly soft seat comfort
- maintenance free, permanently smooth and easy moving joint
- for mobile use
- for easy and flexible retrofitting on pre-assembled HEWI mounting plate: 900.51.001XA resp. 900.51.00140 (to be ordered separately)
- tool-free and quick installation by means of simple hanging of the seat
- secured by fixing screw
- 350 mm wide, 110 mm high and 420 mm deep (incl. mounting plate)
- seat 350 mm wide and 340 mm deep
- for mounting with corrosion-free and tested HEWI fixing material for different wall constructions (to be ordered separately)
- sealing tape for sealing the fixing points possible (supplied with mounting plate)
- wall bracket made of stainless steel, satin finished
- wall bracket made of stainless steel, chrome-plated
- wall bracket made of stainless steel, powder-coated in HEWI colour AS (matt white) with white seat or powder-coated in HEWI colours ER (matt dark grey pearl mica) and CV (matt black) with black seat

Please advise colour of seat resp. colour combination when ordering.

**Fixing material to be ordered separately page 738**

for fixing on walls made of:

- BM17.2**
- BM10.2**
- BM11.2**
- BM12.2**
- BM13.2**
- BM18.2**

- concrete > C20/C25, national technical approval number: ETA-11/0493
- concrete > C20/C25
- autoclaved aerated concrete (> P2)
- lightweight walls with rear lining made of laminated timber boards ...
- lightweight walls with integrated steel plates ...
- hollow concrete block, vertically perforated bricks, solid bricks, ..., national technical approval number: ETA-13/1036

**HEWI Powder coating | Material combinations with synthetic material**

- ☐ ■ ...60 AS matt white | matt white synthetic material
- ☐ ■ ...60 ER matt dark grey pearl mica | matt black synthetic material
- ☐ ■ ...60 CV matt black | matt black synthetic material

**HEWI Mounting plate** from page 282

**Ordering aid for mobile hinged seats** see online catalogue

Item Number

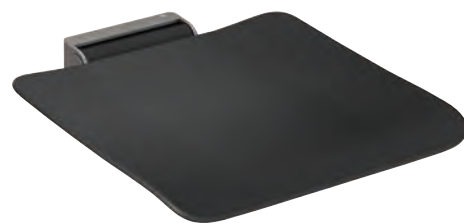
Dimensions in mm / Specification



Wall bracket  
 Seat



Wall bracket  
 Seat



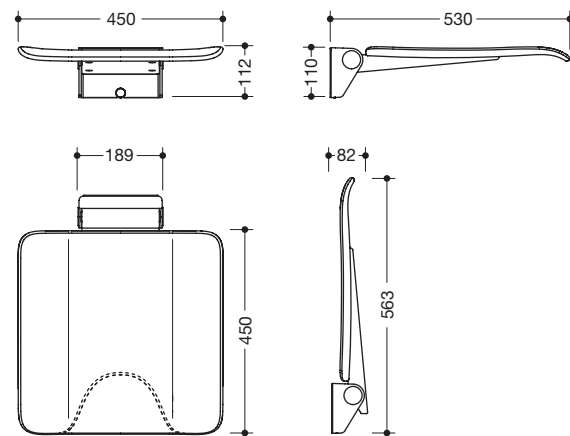
Wall bracket  
 Seat



**900.51.401XA**  
**900.51.40140**  
**900.51.40160**



**900.51.404XA**  
**900.51.40440**  
**900.51.40460**



**HEWI Mobile hinged seat**

- slip-resistant, textured seat made of synthetic material in HEWI colours 98 (signal white), 92 (anthracite grey)
- reinforcement of the seat made of aluminum, powder-coated in colour of the seat
- seat can be folded up to save space
- seat depth when folded up 82 mm, loading capacity 150 kg
- aluminum seat bracket ensures stability and safety
- moulded seat defines the sitting position (lightly curved shape provides pleasant support)
- seat made of thermoplastic synthetic material (polypropylene) enables an extremely resistant, hygienic surface and particularly soft seat comfort
- maintenance free, permanently smooth and easy moving joint
- for mobile use
- for easy and flexible retrofitting on pre-assembled HEWI mounting plate: 900.51.001XA resp. 900.51.00140 (to be ordered separately)
- tool-free and quick installation by means of simple hanging of the seat
- secured by fixing screw
- 450 mm wide, 112 mm high and 530 mm deep (incl. mounting plate)
- seat 450 mm wide and 450 mm deep
- for mounting with corrosion-free and tested HEWI fixing material for different wall constructions (to be ordered separately)
- sealing tape for sealing the fixing points possible (supplied with mounting plate)
- fulfils the requirements acc. to DIN 18040, ÖNORM B1600/1601 and SIA 500
- wall bracket made of stainless steel, satin finished
- wall bracket made of stainless steel, chrome-plated
- wall bracket made of stainless steel, powder-coated in HEWI colour AS (matt white) with white seat or powder-coated in HEWI colours ER (matt dark grey pearl mica) and CV (matt black) with black seat

**with hygiene cutout**

- wall bracket made of stainless steel, satin finished
- wall bracket made of stainless steel, chrome-plated
- wall bracket made of stainless steel, powder-coated in HEWI colour AS (matt white) with white seat or powder-coated in HEWI colours ER (matt dark grey pearl mica) and CV (matt black) with black seat

Please advise colour of seat resp. colour combination when ordering.

**Fixing material to be ordered separately**

see left and page 738

**HEWI Matt colours | Surfaces**

98    92    XA    Chr

**HEWI Mounting plate** from page 282

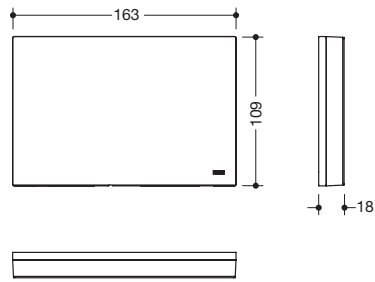
**Ordering aid for mobile hinged seats** see online catalogue

**HEWI Spare parts for mobile hinged seats** find here:

[www.hewi.com/en/spare-parts](http://www.hewi.com/en/spare-parts)



- Face plate
- Frame
- Mounting plate



- Face plate
- Frame
- Mounting plate



- Face plate
- Frame
- Mounting plate

900.51.003XA

900.51.00340

900.51.00360

**HEWI Mounting plate with cover**

- 163 mm wide, 109 mm high, 18 mm deep
- mounting plate made of stainless steel (satin finished, chrome-plated or powder-coated)
- frame cover made of high-quality polyamide in HEWI colours 98 (signal white), 92 (anthracite grey) resp. signal white matt or jet black matt
- face plate of the cover made of high-quality stainless steel (satin finished, mirror polished or powder-coated)
- for wall-mounting with non-corrosive and tested HEWI fixing material for different wall constructions (to be ordered separately)
- incl. sealing tape for sealing the fixing points
- mounting and face plate satin finished
- mounting plate chrome-plated, face plate mirror polished
- mounting plate powder-coated in HEWI colours CV (matt black) and ER (matt dark grey pearl mica) with frame made of matt black polyamide or powder-coated in HEWI colour AS (matt white) with frame made of matt white polyamide
- face plate in matching colour to frame, powder-coated in HEWI colours AS (matt white) and CV (matt black)

**HEWI Fixing material** to be ordered separately, see right

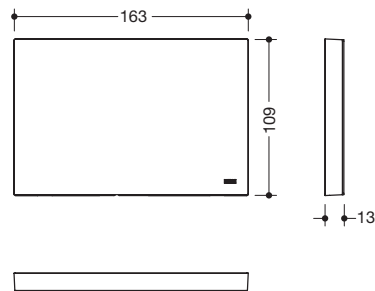


- Face plate
- Frame

900.51.002XA

900.51.00240

900.51.00260



**HEWI Cover for mounting plate**

- for cover of the mounting plate by simple replacement
- 163 mm wide, 109 mm high, 13 mm deep
- frame cover made of high-quality polyamide in HEWI colours 98 (signal white), 92 (anthracite grey) resp. signal white matt or jet black matt
- face plate made of high-quality stainless steel
- satin finished
- mirror polished
- powder-coated in HEWI colours AS (matt white) and CV (matt black)

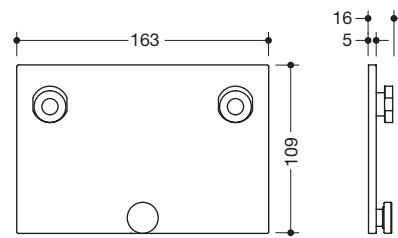
Please advise colour of frame when ordering.

**HEWI Powder coating | Material combinations with synthetic material**

- ...60 AS matt white | matt white synthetic material
- ...60 ER matt dark grey pearl mica | matt black synthetic material
- ...60 CV matt black | matt black synthetic material

Item Number

Dimensions in mm / Specification



**900.51.001XA**  
**900.51.00140**  
**900.51.00160**

**HEWI Mounting plate**

- rectangular mounting plate with knurled screw
- to hold and fix the mobile hinged seats 950.51.4...
- 163 mm wide, 109 mm high, 16 mm deep, made of stainless steel
- for mounting with non-corrosive and tested HEWI fixing materials for different wall systems (to be ordered separately)
- sealing tape for sealing the fixing points is included in the scope of supply
- satin finished
- chrome-plated
- powder-coated in HEWI colours DX (matt white), SC (matt dark grey pearl mica) and DC (matt black)



**HEWI Fixing material** to be ordered separately, see below

System 900



**950.51.013**

**HEWI Protection and storage bag**

- for storing the mobile hinged seats 900.51.4...
- made of high-quality white, synthetic material sheeting
- high-quality fleece lining on the inside to protect the seat surfaces
- 780 mm high, 580 mm wide
- tear-resistant, with pull-cord for closing

**Fixing material to be ordered separately page 738**

for fixing on walls made of:

**BM17.2**  
**BM10.2**  
**BM11.2**  
**BM12.2**  
**BM13.2**  
**BM18.2**

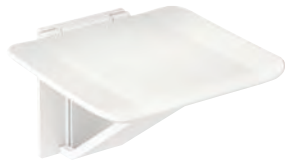
- concrete > C20/C25, national technical approval number: ETA-11/0493
- concrete > C20/C25
- autoclaved aerated concrete (> P2)
- lightweight walls with rear lining made of laminated timber boards ...
- lightweight walls with integrated steel plates ...
- hollow concrete block, vertically perforated bricks, solid bricks, ..., national technical approval number: ETA-13/1036

**HEWI Colours | Surfaces**

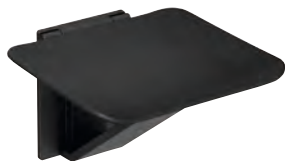
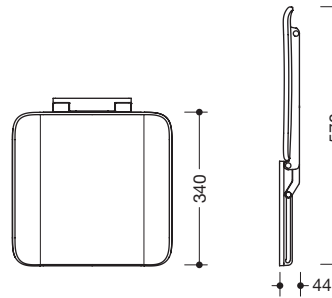
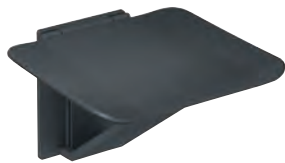
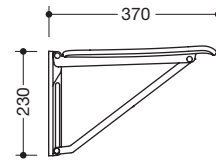
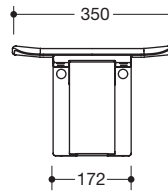
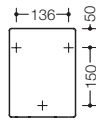
- 98 92 90 XA Chr ...60 DX matt white
- ...60 SC matt dark grey pearl mica
- ...60 DC matt black

Item Number

Dimensions in mm / Specification



Drill hole



900.51B21590

**HEWI Hinged seat**

- construction consisting of wall bracket, bar, seat bracket and seat
- slip-resistant, textured seat made of synthetic material in HEWI colours 98 (signal white), 92 (anthracite grey) and 90 (jet black)
- wall bracket and bar made of high-quality synthetic material in HEWI colours 98 (signal white), 92 (anthracite grey) and 90 (jet black), matching the seat surface
- additional wall support allows increased legroom as no floor support is necessary
- the slightly curved shape of the seat defines the sitting position and provides comfortable support
- seat can be folded up to save space
- seat depth when folded up 44 mm
- maintenance free, permanently smooth and easy moving joint
- loading capacity 150 kg
- 350 mm wide, 370 mm deep and 230 mm high
- seat 350 mm wide and 340 mm deep
- for mounting with corrosion-free and tested HEWI fixing material for different wall constructions (to be ordered separately)
- sealing tape for sealing the fixing points included in delivery

Please advise colour when ordering.



**Fixing material to be ordered separately page 738**

for fixing on walls made of:

- BM17.3**
- BM10.3**
- BM11.3**
- BM12.3**
- BM13.3**
- BM18.3**

- concrete > C20/C25, national technical approval number: ETA-11/0493
- concrete > C20/C25
- autoclaved aerated concrete (> P2)
- lightweight walls with rear lining made of laminated timber boards ...
- lightweight walls with integrated steel plates ...
- hollow concrete block, vertically perforated bricks, solid bricks, ..., national technical approval number: ETA-13/1036

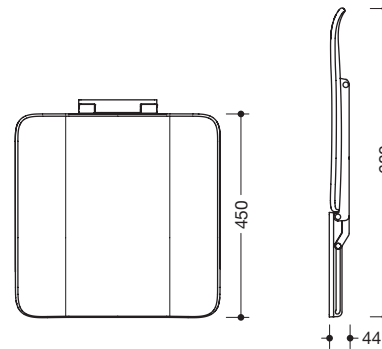
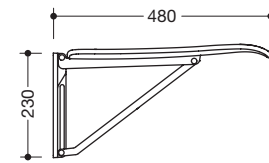
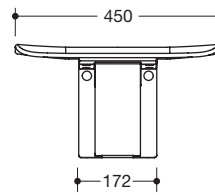
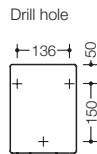
**HEWI Spare parts for hinged seats** find here:

[www.hewi.com/en/spare-parts](http://www.hewi.com/en/spare-parts)



Item Number

Dimensions in mm / Specification



900.51B21690

**HEWI Hinged seat**

- construction consisting of wall bracket, bar, seat bracket and seat
- slip-resistant, textured seat made of synthetic material in HEWI colours 98 (signal white), 92 (anthracite grey) and 90 (jet black)
- wall bracket and bar made of high-quality synthetic material in HEWI colours 98 (signal white), 92 (anthracite grey) and 90 (jet black), matching the seat surface
- additional wall support allows increased legroom as no floor support is necessary
- the slightly curved shape of the seat defines the sitting position and provides comfortable support
- seat can be folded up to save space
- seat depth when folded up 44 mm
- maintenance free, permanently smooth and easy moving joint
- loading capacity 150 kg
- 450 mm wide, 480 mm deep and 230 mm high
- seat 450 mm wide and 450 mm deep
- for mounting with corrosion-free and tested HEWI fixing material for different wall constructions (to be ordered separately)
- sealing tape for sealing the fixing points included in delivery
- fulfils the requirements acc. to DIN 18040, ÖNORM B1600/1601 and SIA 500

Please advise colour when ordering.



System 900

**Fixing material to be ordered separately page 738**

for fixing on walls made of:

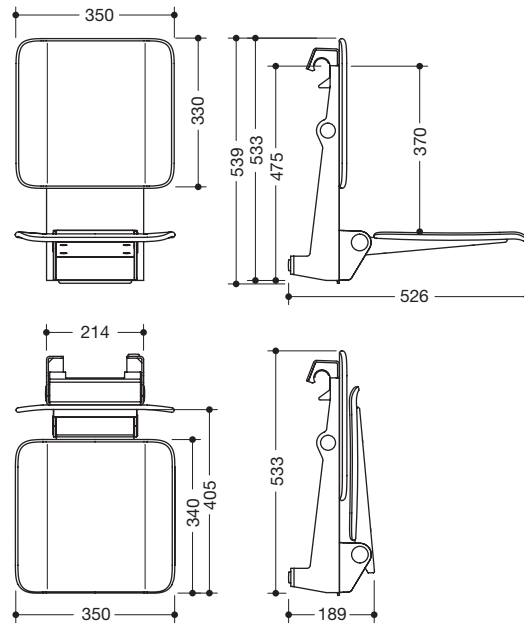
- BM17.3**
- BM10.3**
- BM11.3**
- BM12.3**
- BM13.3**
- BM18.3**

- concrete > C20/C25, national technical approval number: ETA-11/0493
- concrete > C20/C25
- autoclaved aerated concrete (> P2)
- lightweight walls with rear lining made of laminated timber boards ...
- lightweight walls with integrated steel plates ...
- hollow concrete block, vertically perforated bricks, solid bricks, ..., national technical approval number: ETA-13/1036

**HEWI Matt colours**



**HEWI Spare parts for hinged seats** find here:  
[www.hewi.com/en/spare-parts](http://www.hewi.com/en/spare-parts)



900.51.10060

**HEWI Removable hanging seat**

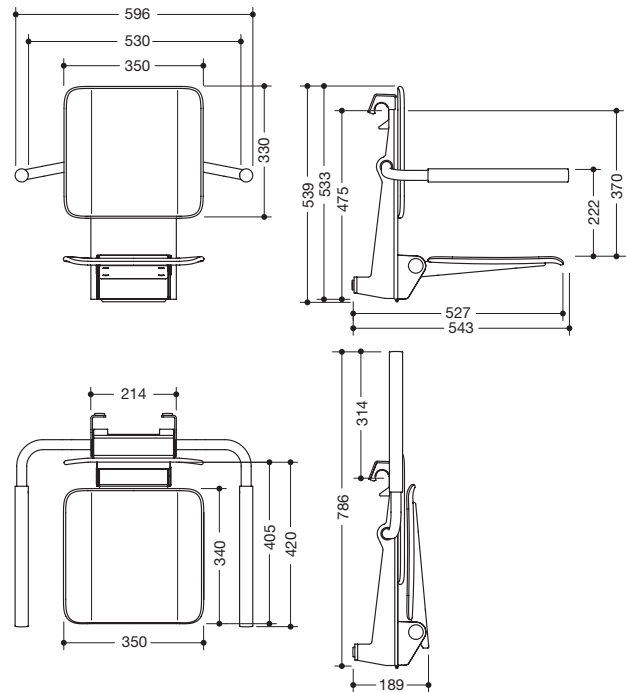
- for hanging in HEWI shower grab rails and support rails ø 30, 32 and 33 mm
- slip-resistant, textured seat and backrest made of synthetic material in HEWI colours AS (matt white), CV (matt black) and AF (matt anthracite grey)
- reinforcement of seat and suspension device made of aluminum, powder-coated in colour of the seat
- seat can be folded up to save space
- aluminum seat bracket ensures stability and safety
- moulded seat defines the sitting position (lightly curved shape provides pleasant support)
- seat made of thermoplastic synthetic material (polypropylene) enables an extremely resistant, hygienic surface and particularly soft seat comfort
- maintenance free, permanently smooth and easy moving joint
- loading capacity 150 kg
- 350 mm wide, 526 mm deep and 539 mm high
- seat 350 mm wide and 340 mm deep
- product weight: 8,0 kg



Please advise colour when ordering.

**HEWI Powder coating | Material combinations with synthetic material**

- ...60 **AS** matt white | white synthetic material
- ...60 **AF** anthracite grey matt | anthracite grey synthetic material
- ...60 **CV** matt black | black synthetic material



System 900

900.51.10160

**HEWI Removable hanging seat**

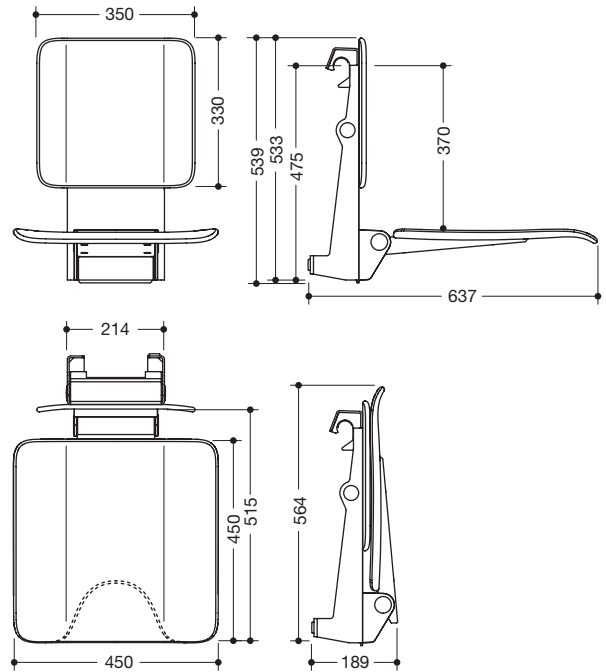
- for hanging in HEWI shower grab rails and support rails ø 30, 32 and 33 mm
- slip-resistant, textured seat and backrest made of synthetic material in HEWI colours AS (matt white), CV (matt black) and AF (matt anthracite grey)
- reinforcement of seat and suspension device made of aluminum, powder-coated in colour of the seat
- seat can be folded up to save space
- aluminum seat bracket ensures stability and safety
- moulded seat defines the sitting position (lightly curved shape provides pleasant support)
- seat made of thermoplastic synthetic material (polypropylene) enables an extremely resistant, hygienic surface and particularly soft seat comfort
- armrests made of high-quality matt polyamide in colour of the seat
- armrests can be folded up and down separately
- maintenance free, permanently smooth and easy moving joint
- seat loading capacity 150 kg
- 596 mm wide, 539 mm high and 543 mm deep
- seat 350 mm wide and 340 mm deep
- product weight: 11,9 kg



Please advise colour when ordering.

**HEWI Matt colours**





900.51.10260

**HEWI Removable hanging seat**

- for hanging in HEWI shower grab rails and support rails  $\varnothing$  30, 32 and 33 mm
- slip-resistant, textured seat and backrest made of synthetic material in HEWI colours AS (matt white), CV (matt black) and AF (matt anthracite grey)
- reinforcement of seat and suspension device made of aluminum, powder-coated in colour of the seat
- seat can be folded up to save space
- aluminum seat bracket ensures stability and safety
- moulded seat defines the sitting position (lightly curved shape provides pleasant support)
- seat made of thermoplastic synthetic material (polypropylene) enables an extremely resistant, hygienic surface and particularly soft seat comfort
- maintenance free, permanently smooth and easy moving joint
- loading capacity 150 kg
- 450 mm wide, 539 mm high and 637 mm deep
- seat 450 mm wide and 450 mm deep
- product weight: 8,8 kg
- fulfils the requirements acc. to DIN 18040 and ÖNORM B1600/1601






900.51.10460

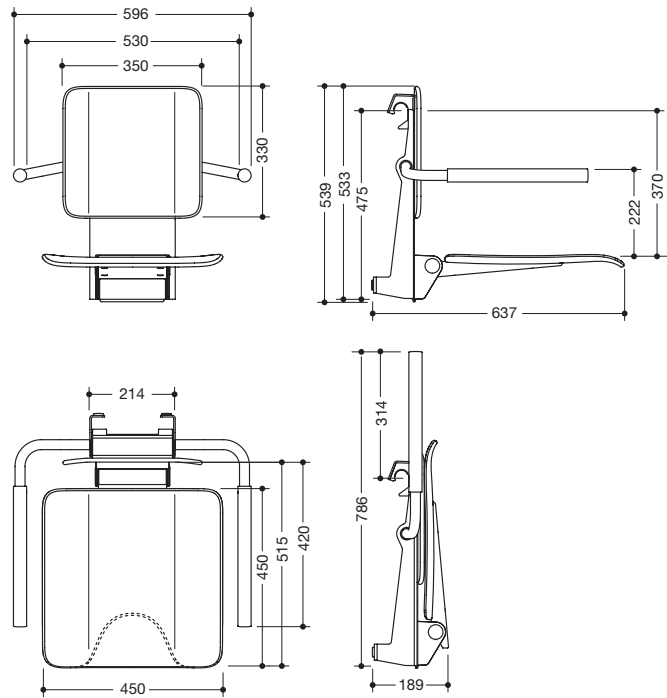
**with hygiene cutout**

Please advise colour when ordering.



**HEWI Powder coating | Material combinations with synthetic material**

-  ...60 AS matt white | white synthetic material
-  ...60 AF anthracite grey matt | anthracite grey synthetic material
-  ...60 CV matt black | black synthetic material



System 900

**900.51.10360**

**HEWI Removable hanging seat**

- for hanging in HEWI shower grab rails and support rails  $\varnothing$  30, 32 and 33 mm
- slip-resistant, textured seat and backrest made of synthetic material in HEWI colours AS (matt white), CV (matt black) and AF (matt anthracite grey)
- reinforcement of seat and suspension device made of aluminum, powder-coated in colour of the seat
- seat can be folded up to save space
- aluminum seat bracket ensures stability and safety
- moulded seat defines the sitting position (lightly curved shape provides pleasant support)
- seat made of thermoplastic synthetic material (polypropylene) enables an extremely resistant, hygienic surface and particularly soft seat comfort
- armrests made of high-quality matt polyamide in colour of the seat
- armrests can be folded up and down separately
- maintenance free, permanently smooth and easy moving joint
- seat loading capacity 150 kg
- 596 mm wide, 539 mm high and 637 mm deep
- seat 450 mm wide and 450 mm deep
- product weight: 12,7 kg
- fulfils the requirements acc. to DIN 18040 and ÖNORM B 1600/1601



**900.51.10560**

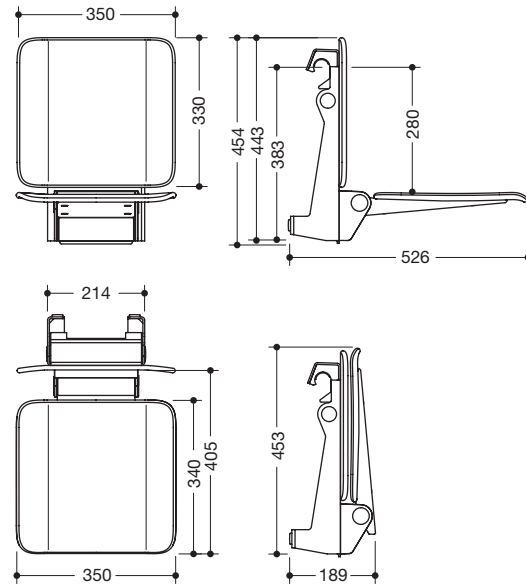
**with hygiene cutout**

Please advise colour when ordering.



**HEWI Matt colours**

98 92 90



900.51.10660




**HEWI Removable hanging seat  
especially for France and Switzerland**

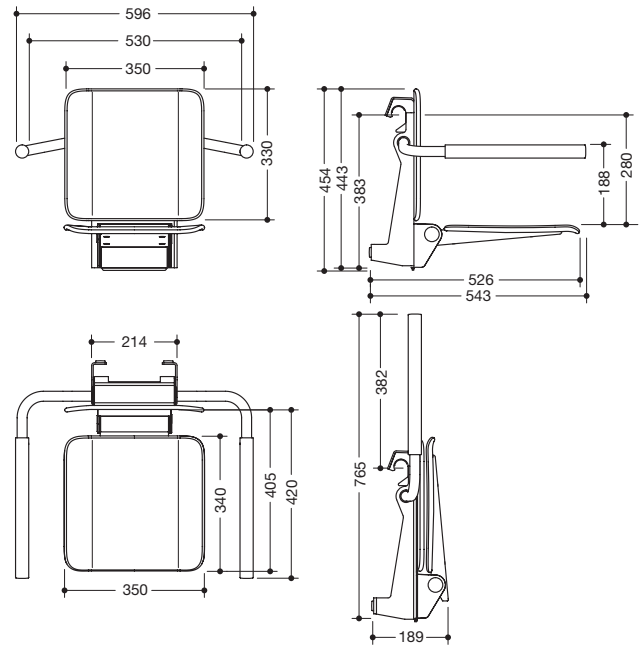
- for hanging in HEWI shower grab rails and support rails ø 30, 32 and 33 mm
- slip-resistant, textured seat and backrest made of synthetic material in HEWI colours AS (matt white), CV (matt black) and AF (matt anthracite grey)
- reinforcement of seat and suspension device made of aluminum, powder-coated in colour of the seat
- seat can be folded up to save space
- aluminum seat bracket ensures stability and safety
- moulded seat defines the sitting position (lightly curved shape provides pleasant support)
- seat made of thermoplastic synthetic material (polypropylene) enables an extremely resistant, hygienic surface and particularly soft seat comfort
- maintenance free, permanently smooth and easy moving joint
- loading capacity 150 kg
- 350 mm wide, 454 mm high and 526 mm deep
- seat 350 mm wide and 340 mm deep
- product weight: 7,7 kg



Please advise colour when ordering.

**HEWI Powder coating | Material combinations with synthetic material**

-  ...60 AS matt white | white synthetic material
-  ...60 AF anthracite grey matt | anthracite grey synthetic material
-  ...60 CV matt black | black synthetic material



System 900

900.51.10760

**HEWI Removable hanging seat especially for France and Switzerland**

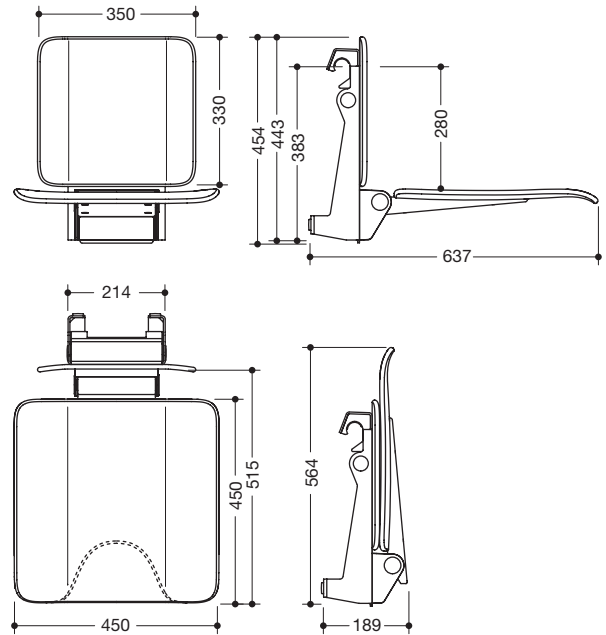
- for hanging in HEWI shower grab rails and support rails ø 30, 32 and 33 mm
- slip-resistant, textured seat and backrest made of synthetic material in HEWI colours AS (matt white), CV (matt black) and AF (matt anthracite grey)
- reinforcement of seat and suspension device made of aluminum, powder-coated in colour of the seat
- seat can be folded up to save space
- aluminum seat bracket ensures stability and safety
- moulded seat defines the sitting position (lightly curved shape provides pleasant support)
- seat made of thermoplastic synthetic material (polypropylene) enables an extremely resistant, hygienic surface and particularly soft seat comfort
- armrests made of high-quality matt polyamide in colour of the seat
- armrests can be folded up and down separately
- maintenance free, permanently smooth and easy moving joint
- seat loading capacity 150 kg
- 596 mm wide, 454 mm high and 543 mm deep
- seat 350 mm wide and 340 mm deep
- product weight: 11,6 kg



Please advise colour when ordering.

**HEWI Matt colours**

98 92 90



900.51.10860

**HEWI Removable hanging seat especially for France and Switzerland**

- for hanging in HEWI shower grab rails and support rails  $\varnothing$  30, 32 and 33 mm
- slip-resistant, textured seat and backrest made of synthetic material in HEWI colours AS (matt white), CV (matt black) and AF (matt anthracite grey)
- reinforcement of seat and suspension device made of aluminum, powder-coated in colour of the seat
- seat can be folded up to save space
- aluminum seat bracket ensures stability and safety
- moulded seat defines the sitting position (lightly curved shape provides pleasant support)
- seat made of thermoplastic synthetic material (polypropylene) enables an extremely resistant, hygienic surface and particularly soft seat comfort
- maintenance free, permanently smooth and easy moving joint
- loading capacity 150 kg
- 450 mm wide, 454 mm high and 637 mm deep
- seat 450 mm wide and 450 mm deep
- product weight: 8,5 kg
- fulfils the requirements according to SIA 500



900.51.11060

**with hygiene cutout**

Please advise colour when ordering.



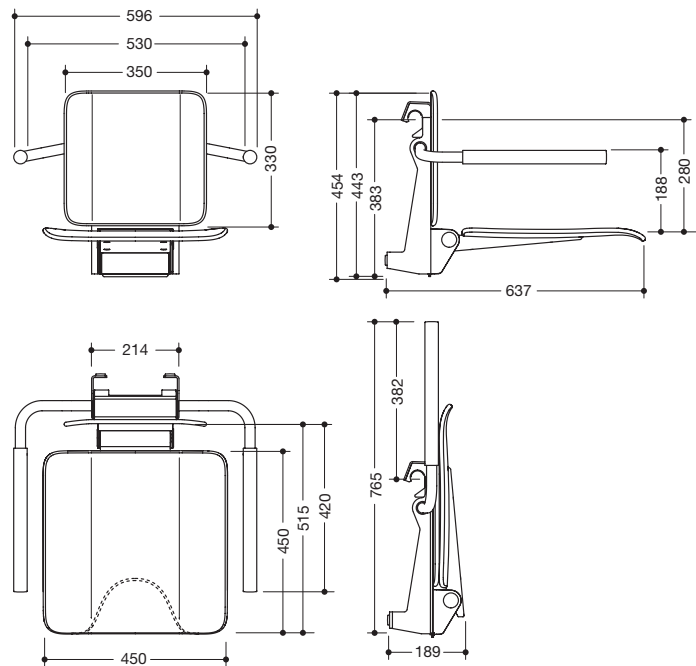
**HEWI Powder coating | Material combinations with synthetic material**

- ...60 AS matt white | white synthetic material
- ...60 AF anthracite grey matt | anthracite grey synthetic material
- ...60 CV matt black | black synthetic material



Item Number

Dimensions in mm / Specification



System 900

900.51.10960



**HEWI Removable hanging seat especially for France and Switzerland**

- for hanging in HEWI shower grab rails and support rails  $\varnothing$  30, 32 and 33 mm
- slip-resistant, textured seat and backrest made of synthetic material in HEWI colours AS (matt white), CV (matt black) and AF (matt anthracite grey)
- reinforcement of seat and suspension device made of aluminum, powder-coated in colour of the seat
- seat can be folded up to save space
- aluminum seat bracket ensures stability and safety
- moulded seat defines the sitting position (lightly curved shape provides pleasant support)
- seat made of thermoplastic synthetic material (polypropylene) enables an extremely resistant, hygienic surface and particularly soft seat comfort
- armrests made of high-quality matt polyamide in colour of the seat
- armrests can be folded up and down separately
- maintenance free, permanently smooth and easy moving joint
- seat loading capacity 150 kg
- 596 mm wide, 454 mm high and 637 mm deep
- seat 450 mm wide and 450 mm deep
- product weight: 12,4 kg
- fulfils the requirements according to SIA 500

900.51.11160

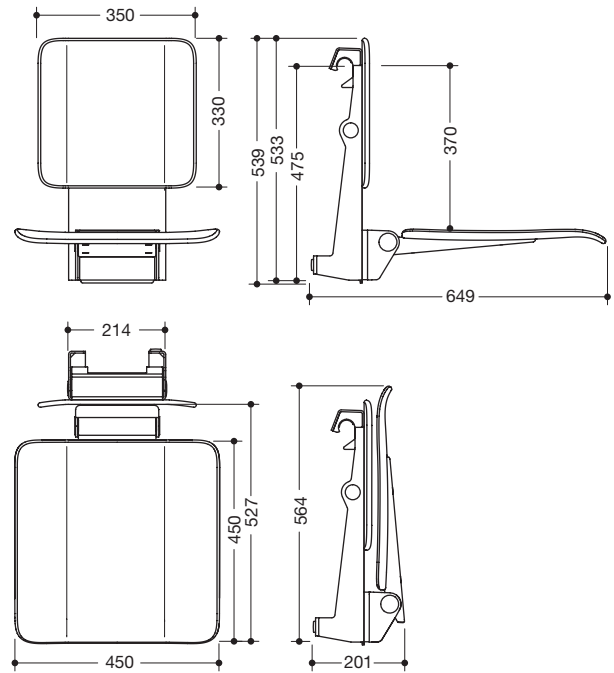
**with hygiene cutout**

Please advise colour when ordering.



**HEWI Matt colours**

98 92 90



900.51.11260

**HEWI Removable hanging seat especially for UK**

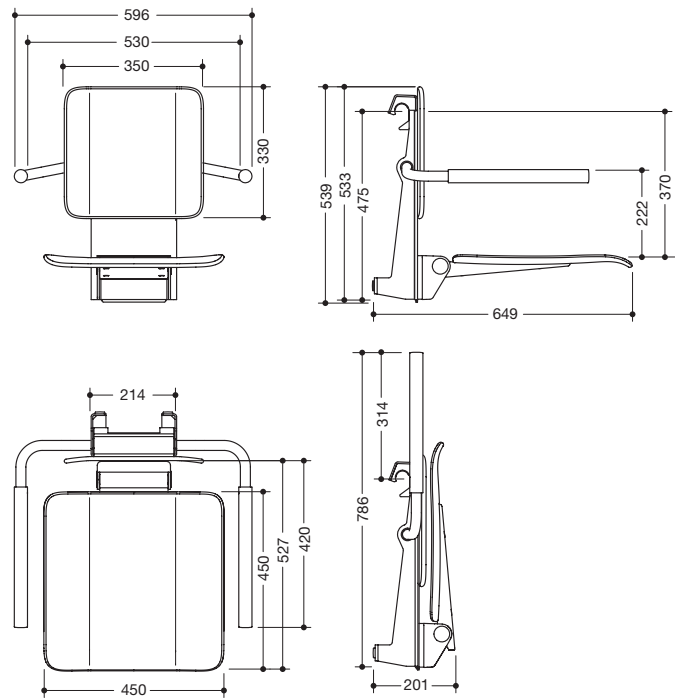
- for hanging in HEWI shower grab rails and support rails  $\varnothing$  30, 32 and 33 mm
- slip-resistant, textured seat and backrest made of synthetic material in HEWI colours AS (matt white), CV (matt black) and AF (matt anthracite grey)
- reinforcement of seat and suspension device made of aluminum, powder-coated in colour of the seat
- seat can be folded up to save space
- aluminum seat bracket ensures stability and safety
- moulded seat defines the sitting position (lightly curved shape provides pleasant support)
- seat made of thermoplastic synthetic material (polypropylene) enables an extremely resistant, hygienic surface and particularly soft seat comfort
- maintenance free, permanently smooth and easy moving joint
- loading capacity 150 kg
- 450 mm wide, 650 mm deep and 539 mm high
- seat 450 mm wide and 450 mm deep
- product weight: 9,7 kg
- fulfils the requirements acc. to BS-Standard BS 8300:2009+A1:2010/ Doc M

Please advise colour when ordering.



**HEWI Powder coating | Material combinations with synthetic material**

- ...60 AS** matt white | white synthetic material
- ...60 AF** anthracite grey matt | anthracite grey synthetic material
- ...60 CV** matt black | black synthetic material



900.51.11360

**HEWI Removable hanging seat especially for UK**

- for hanging in HEWI shower grab rails and support rails  $\varnothing$  30, 32 and 33 mm
- slip-resistant, textured seat and backrest made of synthetic material in HEWI colours AS (matt white), CV (matt black) and AF (matt anthracite grey)
- reinforcement of seat and suspension device made of aluminum, powder-coated in colour of the seat
- seat can be folded up to save space
- aluminum seat bracket ensures stability and safety
- moulded seat defines the sitting position (lightly curved shape provides pleasant support)
- seat made of thermoplastic synthetic material (polypropylene) enables an extremely resistant, hygienic surface and particularly soft seat comfort
- armrests made of high-quality matt polyamide in colour of the seat
- armrests can be folded up and down separately
- maintenance free, permanently smooth and easy moving joint
- seat loading capacity 150 kg
- 596 mm wide, 539 mm high and 649 mm deep
- seat 450 mm wide and 450 mm deep
- product weight: 13,6 kg
- fulfils the requirements acc. to BS-Standard BS 8300:2009+A1:2010/ Doc M

Please advise colour when ordering.



**HEWI Matt colours**

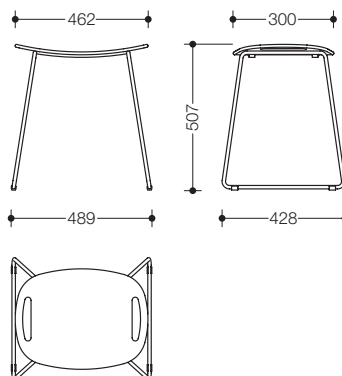
98 92 90

Item Number

Dimensions in mm / Specification



950.51.300XA



**HEWI Shower stool**

- spacious, pleasantly warm seat made of high-quality synthetic material, slightly textured
- seat in HEWI colours 98 (signal white) and 92 (anthracite grey)
- with integrated handle recesses for easy sitting down and standing
- loading capacity 150 kg
- 507 mm high, 489 mm wide and 428 mm deep, weight 5,2 kg
- seat 462 mm wide and 300 mm deep
- frame made of stainless steel, satin finished with anti-slip foot caps

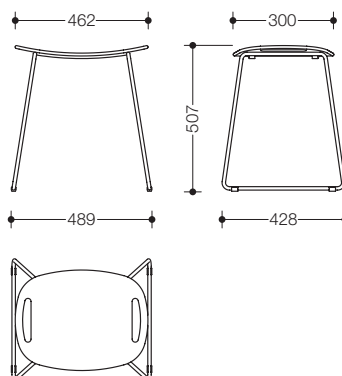
Please advise colour when ordering.

- ☑ Frame
- ☑ ■ Seat



950.51.30098  
950.51.30092  
950.51.30090

**New** 950.51.30060



**HEWI Shower stool**

- spacious, pleasantly warm seat made of high-quality synthetic material, slightly textured
- with integrated handle recesses for easy sitting down and standing
- loading capacity 150 kg
- 507 mm high, 489 mm wide and 428 mm deep, weight 5,2 kg
- seat 462 mm wide and 300 mm deep
- frame high-quality chrome-plated
- with anti-slip foot caps
- seat in HEWI colour 98 (signal white)
- seat in HEWI colour 92 (anthracite grey)
- seat in HEWI colour 90 (jet black)
- frame powder-coated in HEWI colour CV (matt black) with matt black seat

- ☑ ■ Frame
- ☑ ■ ■ Seat

**HEWI Matt colours | Surfaces**

- ☑ ■ ■ 98 92 90
- ☑ ■ ■ XA Chr

You can find more shower stools in register Sit

Item Number

Dimensions in mm / Specification



- Wall bracket
- Seat, backrest

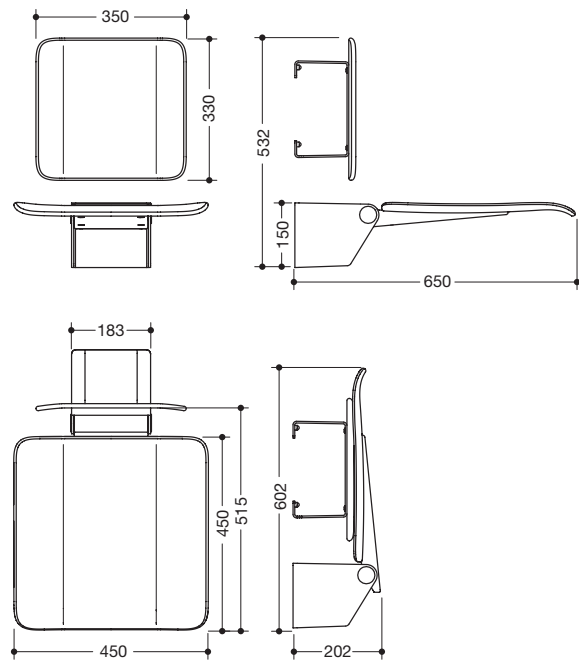


- Wall bracket
- Seat, backrest



- Wall bracket
- Seat, backrest

**900.51.203XA**  
**900.51.20340**  
**900.51.20360**



**HEWI Hinged seat especially for UK**

- slip-resistant, textured seat made of synthetic material in HEWI colours 98 (signal white), 92 (anthracite grey) and 90 (jet black)
- reinforcement of the seat made of aluminum, powder-coated in colour of the seat
- seat can be folded up to save space
- backrest with structured backrest made of synthetic material in HEWI colours 98 (signal white), 92 (anthracite grey) and 90 (jet black)
- wall connection made of aluminum, powder-coated in colour of backrest
- loading capacity 150 kg
- 450 mm wide, 650 mm deep and 532 mm high
- seat 450 mm wide and 450 mm deep
- for mounting with non-corrosive and tested HEWI fixing material including backrest fixing material
- fixing material for different wall systems (to be ordered separately)
- fulfils the requirements acc. to BS-Standard BS 8300:2009+A1:2010/ Doc M
- wall bracket made of stainless steel, satin finished
- wall bracket made of stainless steel, chrome-plated
- wall bracket made of stainless steel, powder-coated in HEWI colour AS (matt white) with white seat or powder-coated in HEWI colours ER (matt dark grey pearl mica) and CV (matt black) with black seat

Please advise colour combination when ordering.

**HEWI Spare parts for hinged seats** find here: [www.hewi.com/en/spare-parts](http://www.hewi.com/en/spare-parts)

**Fixing material to be ordered separately page 738**

for fixing on walls made of:

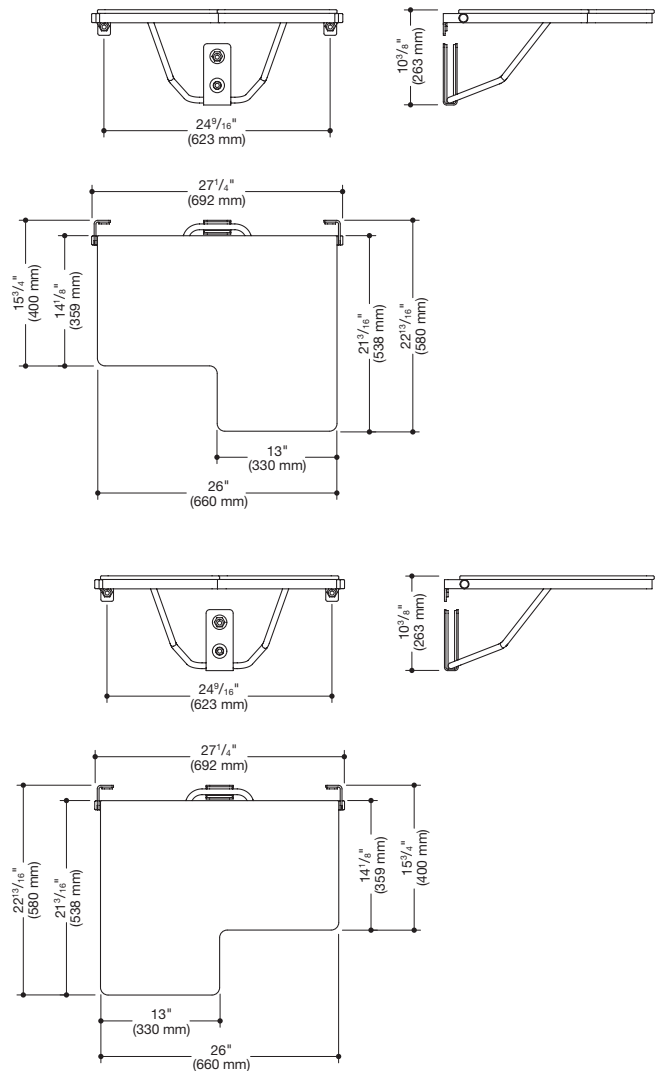
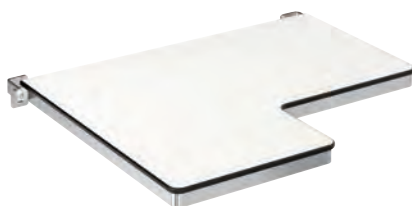
- concrete > C20/C25, national technical approval number: ETA-11/0493
- concrete > C20/C25
- autoclaved aerated concrete (> P2)
- lightweight walls with rear lining made of laminated timber boards ...
- lightweight walls with integrated steel plates ...
- hollow concrete block, vertically perforated bricks, solid bricks, ..., national technical approval number: ETA-13/1036

**BM17.2**  
**BM10.2**  
**BM11.2**  
**BM12.2**  
**BM13.2**  
**BM18.2**

**HEWI Powder coating | Material combinations with synthetic material**

- ...60 AS matt white | matt white synthetic material
- ...60 ER matt dark grey pearl mica | matt black synthetic material
- ...60 CV matt black | matt black synthetic material

System 900



**HEWI L-shaped shower compartment seat with lift-up feature (USA)**

- wall connection made of high-quality stainless steel with one-piece HPL seat, screwed from the underside, can be folded up
- projecting seat element 13" (330 mm) wide, 15 3/4" (400 mm) deep
- narrow seat element 13" (330 mm) wide, 22 13/16" (580 mm) deep
- low-maintenance brakes on shower seat allow seat surface to remain in an upright position after folding up
- surfaces enable easy cleaning and hygiene
- additional wall support with high-quality stainless steel bracket with stainless steel wall bracket
- includes fixing material for mounting to cavity walls with wood backlining of two 2" x 12" laminate or hardwood boards connected with a 1/2" x 12" plywood board
- maximum loading capacity 450 lbs (204 kg)
- fulfils the requirements according to 2010 ADA Standards and ICC/ANSI A117.1-2009
- projecting seat element left (from users point of view)
- satin finished
- polished
- projecting seat element right (from users point of view)
- satin finished
- polished

**900.51.206XA**  
**900.51.20640**

**900.51.207XA**  
**900.51.20740**

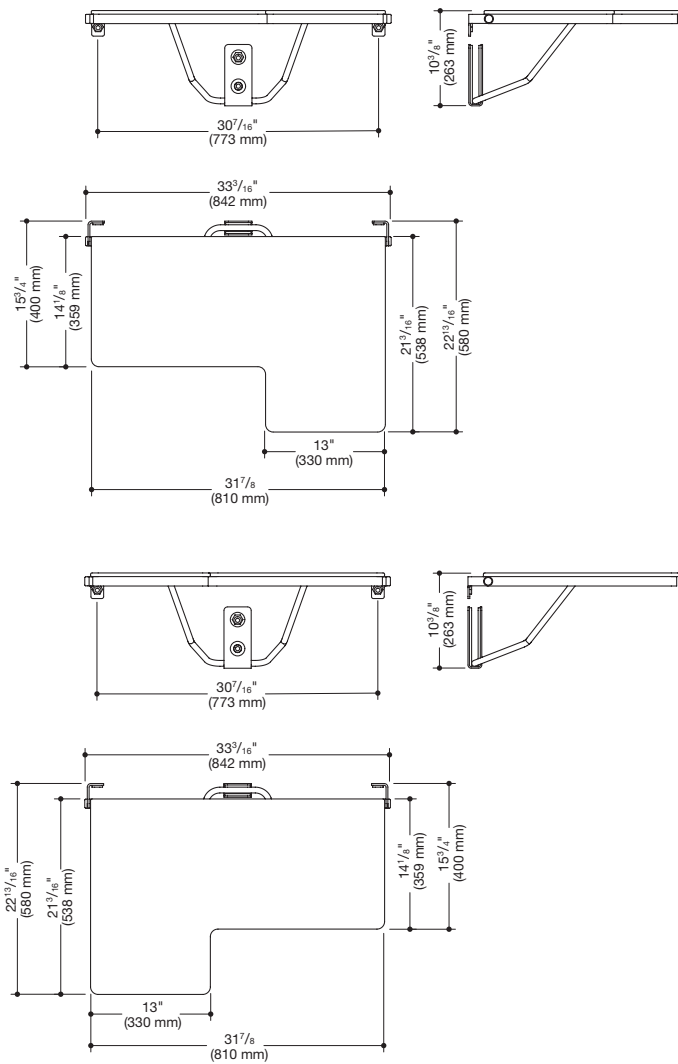
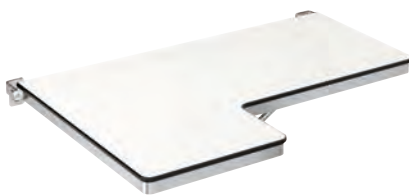
Wall connection, wall support  
 Seat

Item Number

Dimensions in mm / Specification



ADA compliant



System 900

**HEWI L-shaped shower compartment seat with lift-up feature (USA)**

- wall connection made of high-quality stainless steel with one-piece HPL seat, screwed from the underside, can be folded up
- narrow seat element 18 7/8" (480 mm) wide, 15 3/4" (400 mm) deep
- projecting seat element 13" (330 mm) wide, 22 13/16" (580 mm) deep
- low-maintenance brakes on shower seat allow seat surface to remain in an upright position after folding up
- surfaces enable easy cleaning and hygiene
- additional wall support with high-quality stainless steel bracket with stainless steel wall bracket
- includes fixing material for mounting to cavity walls with wood backlining of two 2" x 12" laminate or hardwood boards connected with a 1/2" x 12" plywood board
- maximum loading capacity 450 lbs (204 kg)
- fulfils the requirements according to 2010 ADA Standards and ICC/ANSI A117.1-2009
- projecting seat element left (from users point of view)
- satin finished
- polished
- projecting seat element right (from users point of view)
- satin finished
- polished

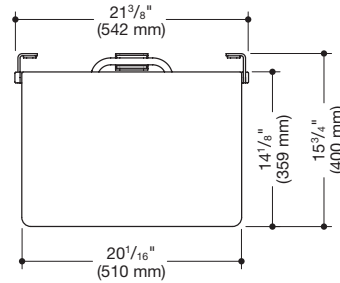
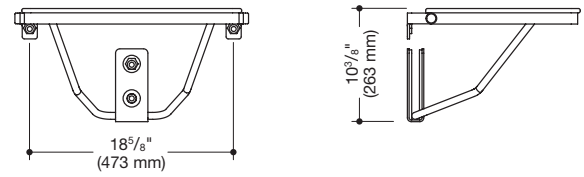
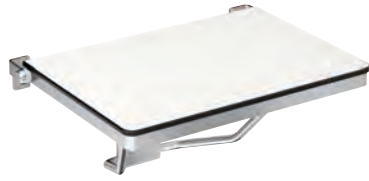
900.51.208XA  
900.51.20840

900.51.209XA  
900.51.20940

Wall connection, wall support  
Seat

HEWI Colours | Surfaces

98 XA Polished



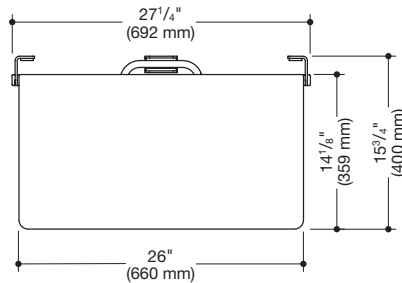
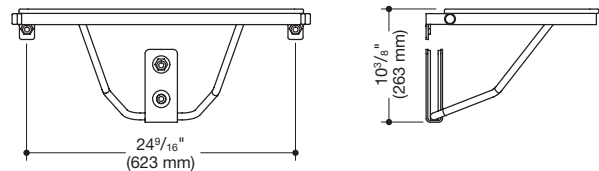
**HEWI Rectangular shower compartment seat with lift-up feature (USA)**

- wall connection made of high-quality stainless steel with one-piece HPL seat, screwed from the underside
- can be folded up
- low-maintenance brakes on shower seat allow seat surface to remain in an upright position after folding up
- surfaces enable easy cleaning and hygiene
- additional wall support with high-quality stainless steel bracket with stainless steel wall bracket
- 20 1/16" (510 mm) wide and 15 3/4" (400 mm) deep
- includes fixing material for mounting to cavity walls with wood backlining of two 2" x 12" laminate or hardwood boards connected with a 1/2" x 12" plywood board
- maximum loading capacity 450 lbs (204 kg)
- fulfils the requirements according to 2010 ADA Standards and ICC/ANSI A117.1-2009

- Wall connection, wall support
- Seat

**900.51.210XA**  
**900.51.21040**

- satin finished
- polished



**HEWI Rectangular shower compartment seat with lift-up feature (USA)**

- do., 27 1/4" (692 mm) wide and 15 3/4" (400 mm) deep

- Wall connection, wall support
- Seat

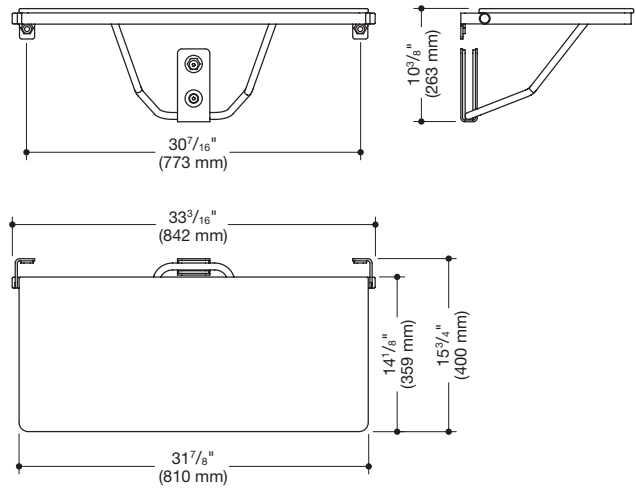
**900.51.211XA**  
**900.51.21140**

- satin finished
- polished



Item Number

Dimensions in mm / Specification



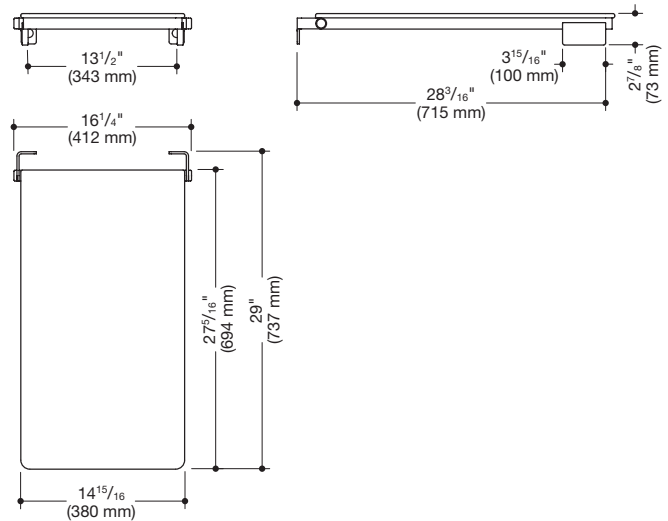
**HEWI Rectangular shower compartment seat with lift-up feature (USA)**

- do., 33 3/16" (842 mm) wide and 15 3/4" (400 mm) deep
- satin finished
- polished

- Wall connection, wall support
- Seat

**900.51.212XA**  
**900.51.21240**

System 900



**HEWI Bathtub seat with lift-up feature (USA)**

- wall connection made of high-quality stainless steel with one-piece HPL seat, screwed from the underside
- can be folded up
- low-maintenance brakes on shower seat allow seat surface to remain in an upright position after folding up
- surfaces enable easy cleaning and hygiene
- 14 15/16" (380 mm) wide and 29" (737 mm) deep
- includes fixing material for mounting to cavity walls with wood backlining of two 2" x 12" laminate or hardwood boards connected with a 1/2" x 12" plywood board
- maximum loading capacity 450 lbs (204 kg)
- fulfils the requirements according to 2010 ADA Standards and ICC/ANSI A117.1-2009

- Wall connection, wall support
- Seat

**900.51.213XA**  
**900.51.21340**

**HEWI Colours | Surfaces**

- 98
- XA Polished

## Range 802 LifeSystem



### PRODUCT CHARACTERISTICS

- Highly functional series for utilisation in the professional care sector (senior citizen residences, retirement homes, nursing homes, clinics, rehabilitation facilities etc.)
- LifeSystem promotes the user to be independent and supports the care personnel in their work
- Unique modular concept which is individually adjustable to the user (e.g. height adjustable shower stool)
- Can be combined with HEWI sanitary systems
- The redesign offers new surfaces and advanced features

### RECOMMENDED APPLICATION AREAS

Professional Care



# Range 802 LifeSystem

## DESIGN

NOA Produktdesign, Aachen  
HEWI, Bad Arolsen

## MATERIAL AND SURFACES

Contact surfaces made of high-quality polyamide, supporting elements made of high-quality metal, seats and leaning surfaces made of PUR/integral hard foam.

## ACCESSORIES

Product range	304
Basin area	306 – 309
Shower and bath area	309 – 310

## ACCESSIBILITY

Product range	305
Support	311 – 324
Sit	325 – 339
Shower spray guard	324

Range 802  
LifeSystem



16 HEWI COLOURS

- |   |  |   |  |
|---|--|---|--|
| <input checked="" type="checkbox"/> 98 (signal white) | <input checked="" type="checkbox"/> 92 (anthracite grey) | <input checked="" type="checkbox"/> 18 (mustard yellow) | <input checked="" type="checkbox"/> 74 (apple green) |
| <input type="checkbox"/> 99 (pure white)              | <input checked="" type="checkbox"/> 90 (jet black)       | <input checked="" type="checkbox"/> 24 (orange)         | <input checked="" type="checkbox"/> 72 (may green)   |
| <input type="checkbox"/> 97 (light grey)              | <input checked="" type="checkbox"/> 86 (sand)            | <input checked="" type="checkbox"/> 36 (coral)          | <input checked="" type="checkbox"/> 55 (aqua blue)   |
| <input type="checkbox"/> 95 (stone grey)              | <input checked="" type="checkbox"/> 84 (umber)           | <input checked="" type="checkbox"/> 33 (ruby red)       | <input checked="" type="checkbox"/> 50 (steel blue)  |

ACCESSORIES



**Adjustable mirror**  
802.01.100... page 307

- Grip bar
- Grip in 14 HEWI colours



**LED Adjustable mirror**  
802.01.400... page 307

- Grip bar
- Grip in 14 HEWI colours



**Shelf**  
802.03..100 page 308

- Frame
- Backplate cover
- Grip in 14 HEWI colours



**Grab bar with backplate**  
802.03..120.. page 308

- Frame
- Backplate cover
- Grip in 14 HEWI colours



**Walking aid holder**  
950.90.60090 page 309  
950.90B60090 page 309

- In 16 HEWI colours
- Matt



**Storage box**  
802.03.200 page 309  
802.03B200 page 309

- In 16 HEWI colours
- Matt



**Corner shelf**  
802.03.210 page 310  
802.03B210 page 310  
802.03.220 page 310  
802.03B220 page 310

- In 16 HEWI colours
- Matt



**Shower spray guard**  
802.52.200.. page 324

- Rail
- Connection in 14 HEWI colours

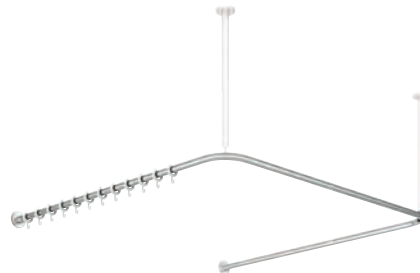
MATCHING PRODUCTS



**Shower curtain rail** page 224



**Shower curtain rail** page 222



**Shower curtain rail** page 223

**SURFACES**

- White powder-coated (W)
- Anthracite powder-coated
- Chrome (Chr)
- Matt silver (S)

- ...60 SD glossy signal white | matt signal white
- ...60 GU glossy signal white | matt anthracite
- ...60 TB glossy anthracite | matt signal white
- ...60 DR glossy anthracite | matt anthracite

**ACCESSIBILITY**



**Hinged support rail Basic**  
802.50.4... from page 312

- Basic body
- Grip pad
- Design elements



**Hinged support rail Premium**  
802.50.4... from page 314

- Basic body
- Grip pad
- Design elements



**Height-adjustable plate**  
950.50.10260 page 319

- 



**Backrest rail**  
802.51.90... from page 321

- Rails
- Backrest
- Design elements



**Hinged seat Basic**  
802.51.23160 page 325  
802.51.23660 page 325

- Basic body
- Seat
- Design elements



**Hinged seat/Removable hanging seat Comfort**  
802.51.23..60 from page 326  
802.51.13..60 from page 330

- Basic body
- Seat, backrest
- Design elements



**Hinged seat/Removable hanging seat Premium**  
802.51.2...60 from page 328  
802.51.13..60 from page 332

- Basic body
- Seat, backrest, armrest
- Design elements



**Shower stool Basic | Comfort | Premium**  
802.51.32... from page 338

- Frame
- Seat, backrest, armrest

**MATCHING PRODUCTS**

Range 802 LifeSystem can be supplemented with the following products of the range „Grip“.



**Support rail**  
801.36.1..50 page 354

WARM TOUCH\*



**L-shaped support rail**  
801.22.20050 page 354

WARM TOUCH\*



**L-shaped support rail**  
801.22.1..50 page 354

WARM TOUCH\*



**Support grab rail** 801.35.11050 page 355

WARM TOUCH\*



**Rail with shower head holder | L-shaped support rail with shower head holder**  
801.33.1..5... page 355  
801.33.2..5... page 356

- WARM TOUCH\*
- Shower head holder



**Rail with vertical support bar and shower head holder**  
801.35.2105.. page 356

- WARM TOUCH\*
- Shower head holder



**Rail with sideways adjustable vertical support bar and shower head holder**  
801.35.3..5... page 357

- WARM TOUCH\*
- Shower head holder



**Rail with sideways adjustable vertical support bar and shower head holder**  
801.35.4..5... page 357

- WARM TOUCH\*
- Shower head holder

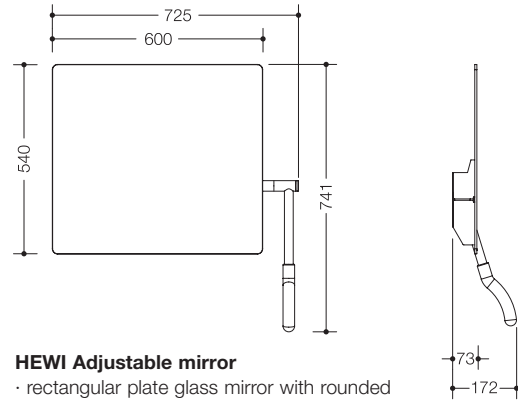
\*WARM TOUCH: chrome-look coated polyamide

# Range 802 LifeSystem Accessories



Item Number

Dimensions in mm / Specification



**HEWI Adjustable mirror**

- rectangular plate glass mirror with rounded edges and integrated splinter protection foil
- can be comfortably tilted from 0 until 28° while seated
- 725 mm wide, 741 mm high and 73 mm deep
- clear dimension wall - grip 139 mm
- including non-corrosive HEWI fixing material
- grip bar in chrome-plated aluminum
- axis in powder coated, matt aluminum
- with ergonomically shaped grip made of high-quality polyamide in 14 HEWI colours

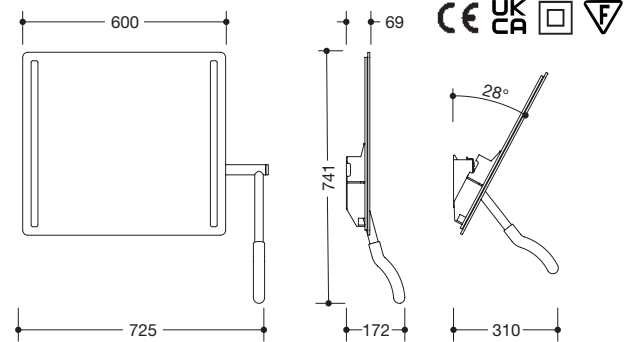
Crystal glass  
 ■ Grip bar  
 Grip in 14 HEWI colours

**802.01.100L**  
**802.01.100R**

Lever left  
 Lever right (image and drawing above)

L /R Version from users point of view.  
 Please advise colour when ordering.

Range 802  
 LifeSystem



**HEWI LED Adjustable mirror**

- rectangular illuminated composite mirror with polished edges
- integrated shatter protection and integrated LED lighting on sides
- can be comfortably tilted from 0 until 28° while seated
- for wall mounting, direct connection 200-240 V
- with two high-quality LED aluminum light profiles attached to the back
- durable LED in light colour: natural white, approx. 4000 Kelvin, total output approx. 9,6 watt
- LED and ballast are protected, protection class II, rating IP 44
- mirror 600 mm wide, 540 mm high and 6 mm thick, laminated glass
- energy efficiency class A++, A+, A acc. to ordinance (EU) 874/2012
- 725 mm wide, 741 mm high and 69 mm deep, clear dimension wall distance-handle 139 mm, 310 mm dimension handle with 28° tilt
- simple and concealed installation with the enclosed corrosion-free HEWI fixing material
- grip bar in chrome-plated aluminum
- axis in powder coated, matt aluminum
- with ergonomically shaped grip made of polyamide in 14 HEWI colours

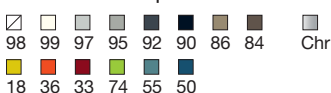
Crystal glass  
 ■ Grip bar  
 Grip in 14 HEWI colours

**802.01.400L**  
**802.01.400R**

Lever left  
 Lever right (image and drawing above)

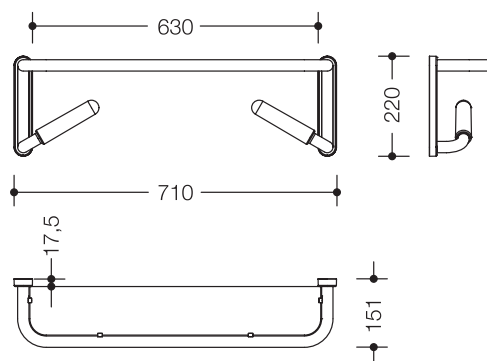
L /R Version from users point of view.  
 Please advise colour when ordering.

**14 HEWI Colours | Surfaces**



Item Number

Dimensions in mm / Specification



802.03.W100

**HEWI Mirror shelf White Edition**

- chrome-plated mirror shelf with all-round edging and firmly fitted, breakproof synthetic shelf and integrated grab bars
- grab bars manufactured at an angle of 30°, adjustable before assembly
- continuous mirror solution possible
- including non-corrosive HEWI fixing material
- 710 mm wide, 220 mm high and 151 mm deep
- shelf surface in matt white synthetic material
- frame in chrome-plated aluminum with powder coated, white features
- grips made of polyamide pleasant to touch in HEWI colours 98 (signal white) and 99 (pure white)

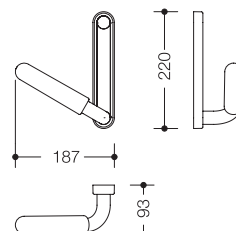
- Frame
- Backplate cover
- Grip

802.03.100

**HEWI Mirror shelf**

- do., with matt silver powder coated features
  - grips made of polyamide pleasant to touch in 14 HEWI colours
- Please advise colour when ordering.

- Frame
- Backplate cover
- Grip in 14 HEWI colours



802.03.W120L  
802.03.W120R

**HEWI Grab bar with backplate White Edition**

- chrome-plated grab bar with polyamide grip with backplate installation
- grab bar manufactured at an angle of 30°, adjustable before assembly
- including non-corrosive HEWI fixing material
- 187 mm wide, 220 mm high, 93 mm deep
- plate and grab bars in chrome-plated aluminum with powder coated, white features
- grips made of polyamide pleasant to touch in HEWI colours 98 (signal white) and 99 (pure white)

- Frame
- Backplate cover
- Grip

left handed version (image left)  
right handed version (image right and drawing above)

**HEWI Grab bar with backplate**

- do., with matt silver powder coated features
- grips made of polyamide pleasant to touch in 14 HEWI colours

- Frame
- Backplate cover
- Grip in 14 HEWI colours

left handed version (image left)  
right handed version (image right and drawing above)

Please advise colour when ordering.

5 matt HEWI colours



802.03.WE02  
802.03.E02

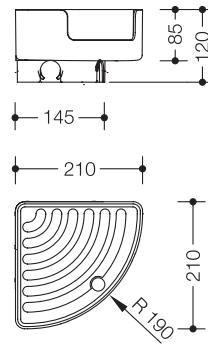
**HEWI Backplate cover White Edition, short**  
**HEWI Backplate cover, short**





Item Number

Dimensions in mm / Specification

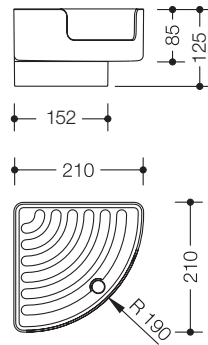


**802.03.210**  
**802.03B210**

**HEWI Corner shelf**

- rectangular corner shelf with rounded front, high sides and water run-off, opening to front
- for integration in the HEWI rail system ø 33 mm
- base with drainage incline and non-slip design
- loading capacity 3 kg, side lengths 210 mm, 120 mm high
- made of high-quality polyamide in 16 HEWI colours
- made of high-quality matt polyamide in 5 HEWI colours

Please advise colour when ordering.



**802.03.220**  
**802.03B220**

**HEWI Corner shelf with with holder**

- rectangular corner shelf with rounded front, high sides and water run-off, opening to front
- for wall mounting, holder highly polished chrome
- base with drainage incline and non-slip design
- loading capacity 3 kg, side lengths 210 mm, 125 mm high
- made of high-quality polyamide in 16 HEWI colours
- made of high-quality matt polyamide in 5 HEWI colours

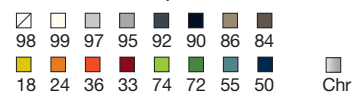
Please advise colour when ordering.

■ Holder

**5 matt HEWI colours**



**16 HEWI Colours | Surfaces**



# Range 802 LifeSystem Accessibility



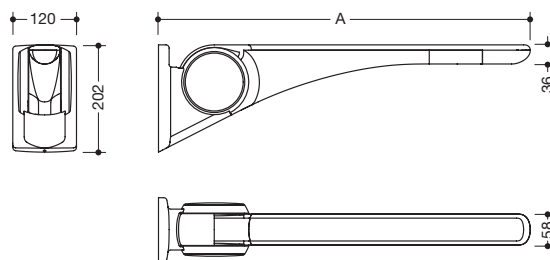
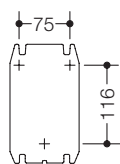
Range 802  
LifeSystem

Item Number

Dimensions in mm / Specification



Drill hole



**HEWI Hinged support rail Basic**

- stable, single-arm hinged support rail
- non-slip and ergonomic grip pad
- high-quality synthetic material surface and scratch-resistant powder coating
- maximum product stiffness increases stability and gives the user a secure grip feeling
- can be folded easily up and down due to spring-loaded hinges
- low-maintenance, permanently smooth and easy moving joint, preset in the factory
- a defined stop prevents the hinged support rail from hitting the wall
- 120 mm wide, wall plate 202 mm high, grip pad 58 mm wide
- extension arm made of aluminum, powder-coated in HEWI colours glossy signal white with grip pad made of synthetic material in SD (matt signal white) and GU (matt anthracite) or extension arm glossy anthracite with grip pad in TB (matt signal white) and DR (matt anthracite), with high-gloss chrome-plated design elements
- toilet roll holder 802.50.01160, wc flushing mechanism (radio controlled) 802.50.06..., backrest rail 802.51.90... and height-adjustable plate 950.50.10260 can be retrofitted
- loading capacity up to 100 kg
- for mobile use
- quick assembly by simply hooking the hinged support rail onto a separately installed mounting plate made of stainless steel, satin finish
- covered, non-corrosive and tested HEWI fixing material for different wall constructions (to be ordered separately)
- fulfils the requirements according to DIN 18040

802.50.40160  
802.50.40260  
802.50.40360  
802.50.40460  
802.50.40560

600 mm projection  
700 mm projection  
750 mm projection  
850 mm projection  
900 mm projection



...60-SD  
...60-GU

**base colour glossy signal white**  
grip pad matt signal white  
grip pad matt anthracite



...60-TB  
...60-DR

**base colour glossy anthracite**  
grip pad matt signal white  
grip pad matt anthracite

**All variants a see page 316**

**For hinged support rails without height-adjustable plate**

BM17.3  
BM10.3  
BM11.3  
BM12.3  
BM13.3  
BM18.3

**For hinged support rails with height-adjustable plate**

BM27.4  
BM20.4  
BM21.4  
BM22.4  
BM23.4  
BM28.4

**Fixing material to be ordered separately pages 738, 739**

for fixing on walls made of:

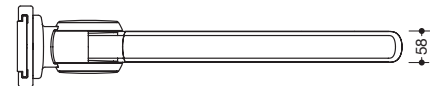
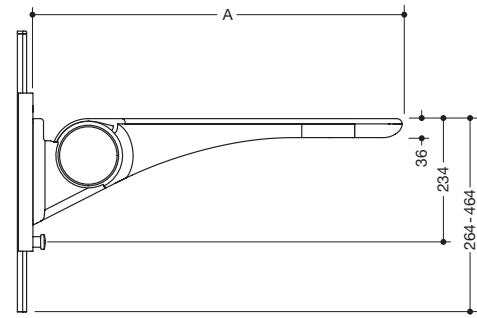
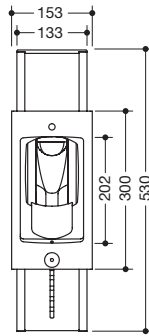
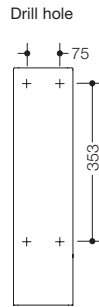
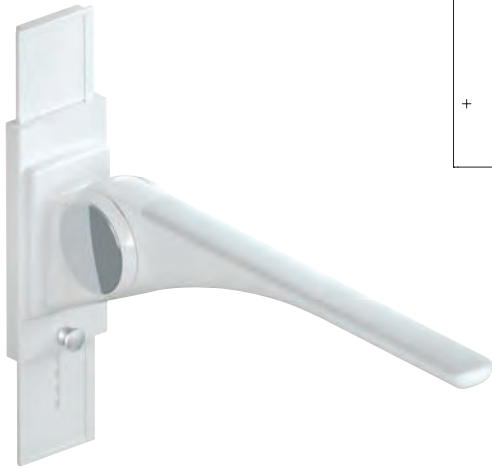
- concrete > C20/C25, national technical approval number: ETA-11/0493
- concrete > C20/C25
- autoclaved aerated concrete (> P2)
- lightweight walls with rear lining made of laminated timber boards ...
- lightweight walls with integrated steel plates ...
- hollow concrete block, vertically perforated bricks, solid bricks,...
- national technical approval number: ETA-13/1036

**HEWI Powder coating | Material combinations with synthetic material**

- ☒ ...60 SD glossy signal white | matt signal white
- ☒ ...60 GU glossy signal white | matt anthracite
- ☒ ...60 TB glossy anthracite | matt signal white
- ☒ ...60 DR glossy anthracite | matt anthracite

Item Number

Dimensions in mm / Specification



**HEWI Hinged support rail Basic with height adjustment**

- stable, single-arm hinged support rail
- non-slip and ergonomic grip pad
- high-quality synthetic material surface and scratch-resistant powder coating
- maximum product stiffness increases stability and gives the user a secure grip feeling
- with height adjustment, in order to be able to adapt the required support height to the user
- adjustment downwards, pull out locking bolt, adjustment upwards possible without pulling out the locking bolt
- adjustment range 200 mm
- can be folded easily up and down due to spring-loaded hinges
- low-maintenance, permanently smooth and easy moving joint, preset in the factory
- a defined stop prevents the hinged support rail from hitting the wall
- 153 mm wide, wall rail 530 mm high, grip pad 58 mm wide
- extension arm made of aluminum, powder-coated in HEWI colours glossy signal white with grip pad made of synthetic material in SD (matt signal white) and GU (matt anthracite) or extension arm matt anthracite with grip pad in TB (matt signal white) and DR (matt anthracite), with high-gloss chrome-plated design elements
- height adjustment made of aluminum powder-coated in HEWI colour DX (matt signal white)
- toilet roll holder 802.50.01160 and wc flushing mechanism (radio controlled) 802.50.06... can be retrofitted
- loading capacity up to 100 kg
- easy assembly due to separate installation of height-adjustable plate
- covered, non-corrosive and tested HEWI fixing material for different wall constructions (to be ordered separately)

- 802.50.40660**
- 802.50.40760**
- 802.50.40860**
- 802.50.40960**
- 802.50.41060**

- 600 mm projection
- 700 mm projection
- 750 mm projection
- 850 mm projection
- 900 mm projection



- ...60-SD**
- ...60-GU**

**base colour glossy signal white**

- grip pad matt signal white
- grip pad matt anthracite



- ...60-TB**
- ...60-DR**

**base colour glossy anthracite**

- grip pad matt signal white
- grip pad matt anthracite

**All variants a see page 316**

**HEWI Surfaces**

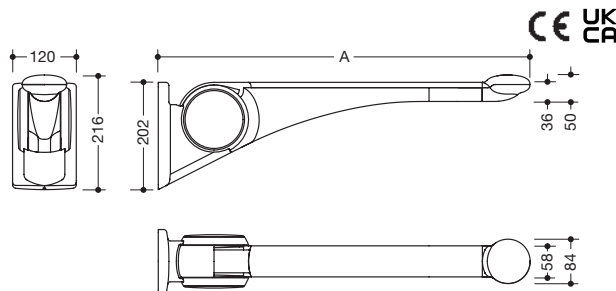
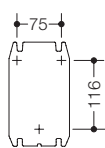
- DX Chr

**Fixing material to be ordered separately** s. left or page 739

Item Number

Dimensions in mm / Specification

Drill hole



**HEWI Hinged support rail Premium**

- stable, single-arm hinged support rail
- non-slip, ergonomic grip pad with perfectly matched raised grip
- high-quality synthetic material surface and scratch-resistant powder coating
- maximum product stiffness increases stability and gives the user a secure grip feeling
- can be folded easily up and down due to spring-loaded hinges
- low-maintenance, permanently smooth and easy moving joint, preset in the factory
- a defined stop prevents the hinged support rail from hitting the wall
- 120 mm wide, wall plate 202 mm high
- grip pad 58 mm wide, grip end piece 84 mm wide
- extension arm made of aluminum, powder-coated in HEWI colours glossy signal white with grip pad made of synthetic material in SD (matt signal white) and GU (matt anthracite) or extension arm glossy anthracite with grip pad in TB (matt signal white) and DR (matt anthracite), with high-gloss chrome-plated design elements
- toilet roll holder 802.50.01160, wc flushing mechanism (radio controlled) 802.50.06..., backrest rail 802.51.90... and height-adjustable plate 950.50.10260 can be retrofitted
- loading capacity up to 100 kg
- for mobile use
- quick assembly by simply hooking the hinged support rail onto a separately installed mounting plate made of stainless steel, satin finish
- covered, non-corrosive and tested HEWI fixing material for different wall constructions (to be ordered separately)
- fulfils the requirements according to DIN 18040

802.50.41160  
802.50.41260  
802.50.41360  
802.50.41460  
802.50.41560

600 mm projection  
700 mm projection  
750 mm projection  
850 mm projection  
900 mm projection



...60-SD  
...60-GU

**base colour glossy signal white**  
grip pad matt signal white  
grip pad matt anthracite



...60-TB  
...60-DR

**base colour glossy anthracite**  
grip pad matt signal white  
grip pad matt anthracite

All variants a see page 317

**For hinged support rails without height-adjustable plate**

BM17.3  
BM10.3  
BM11.3  
BM12.3  
BM13.3  
BM18.3

**For hinged support rails with height-adjustable plate**

BM27.4  
BM20.4  
BM21.4  
BM22.4  
BM23.4  
BM28.4

**Fixing material to be ordered separately pages 738, 739**

for fixing on walls made of:

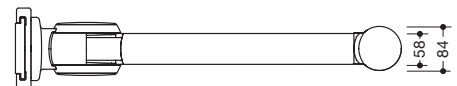
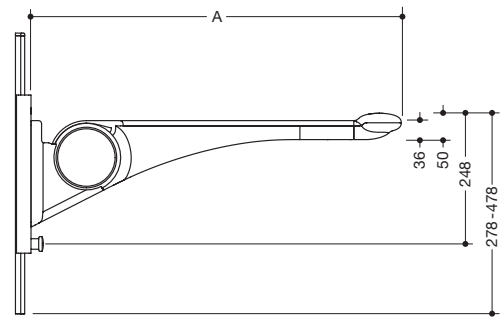
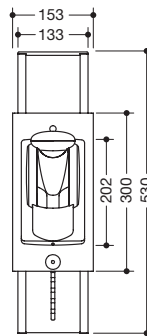
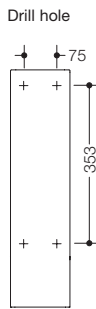
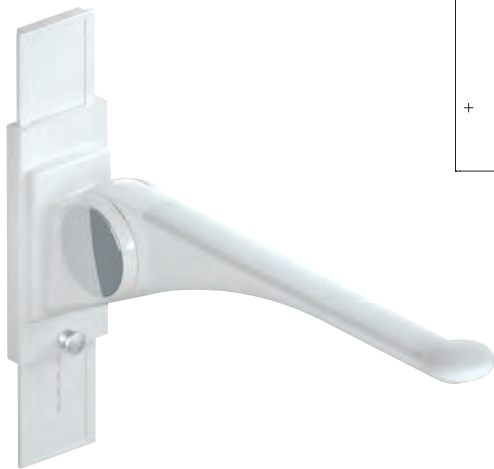
- concrete > C20/C25, national technical approval number: ETA-11/0493
- concrete > C20/C25
- autoclaved aerated concrete (> P2)
- lightweight walls with rear lining made of laminated timber boards ...
- lightweight walls with integrated steel plates ...
- hollow concrete block, vertically perforated bricks, solid bricks,...
- national technical approval number: ETA-13/1036

**HEWI Powder coating | Material combinations with synthetic material**

- ☒ ...60 SD glossy signal white | matt signal white
- ☒ ...60 GU glossy signal white | matt anthracite
- ☒ ...60 TB glossy anthracite | matt signal white
- ☒ ...60 DR glossy anthracite | matt anthracite

Item Number

Dimensions in mm / Specification



**HEWI Hinged support rail Premium with height adjustment**

- stable, single-arm hinged support rail
- non-slip, ergonomic grip pad with perfectly matched raised grip
- high-quality synthetic material surface and scratch-resistant powder coating
- maximum product stiffness increases stability and gives the user a secure grip feeling
- with height adjustment, in order to be able to adapt the required support height to the user
- adjustment downwards, pull out locking bolt, adjustment upwards possible without pulling out the locking bolt
- adjustment range 200 mm
- can be folded easily up and down due to spring-loaded hinges
- low-maintenance, permanently smooth and easy moving joint, preset in the factory
- a defined stop prevents the hinged support rail from hitting the wall
- 153 mm wide, wall rail 530 mm high
- grip pad 58 mm wide, grip end piece 84 mm wide
- extension arm made of aluminum, powder-coated in HEWI colours glossy signal white with grip pad made of synthetic material in SD (matt signal white) and GU (matt anthracite) or extension arm matt anthracite with grip pad in TB (matt signal white) and DR (matt anthracite), with high-gloss chrome-plated design elements
- height adjustment made of aluminum powder-coated in HEWI colour DX (matt signal white)
- toilet roll holder 802.50.01160 and wc flushing mechanism (radio controlled) 802.50.06... can be retrofitted
- loading capacity up to 100 kg
- easy assembly due to separate installation of height-adjustable plate
- covered, non-corrosive and tested HEWI fixing material for different wall constructions (to be ordered separately)

- 802.50.41660**
- 802.50.41760**
- 802.50.41860**
- 802.50.41960**
- 802.50.42060**

- 600 mm projection
- 700 mm projection
- 750 mm projection
- 850 mm projection
- 900 mm projection



- ...60-SD**
- ...60-GU**

**base colour glossy signal white**  
grip pad matt signal white  
grip pad matt anthracite



- ...60-TB**
- ...60-DR**







**base colour glossy anthracite**  
grip pad matt signal white  
grip pad matt anthracite

**All variants a see page 317**





**HEWI Surfaces**

☒ ☐  
DX Chr

HINGED SUPPORT RAIL BASIC

Function	Version (seen from user's view)	Projection A	Base colour glossy signal white		Base colour glossy anthracite	
			Grip pad matt signal white ...60-SD	Grip pad matt anthracite ...60-GU	Grip pad matt signal white ...60-TB	Grip pad matt anthracite ...60-DR
 without additional function		600 mm	802.50.40160	802.50.40160	802.50.40160	802.50.40160
		700 mm	802.50.40260	802.50.40260	802.50.40260	802.50.40260
		750 mm	802.50.40360	802.50.40360	802.50.40360	802.50.40360
		850 mm	802.50.40460	802.50.40460	802.50.40460	802.50.40460
		900 mm	802.50.40560	802.50.40560	802.50.40560	802.50.40560
 with height adjustment		600 mm	802.50.40660	802.50.40660	802.50.40660	802.50.40660
		700 mm	802.50.40760	802.50.40760	802.50.40760	802.50.40760
		750 mm	802.50.40860	802.50.40860	802.50.40860	802.50.40860
		850 mm	802.50.40960	802.50.40960	802.50.40960	802.50.40960
		900 mm	802.50.41060	802.50.41060	802.50.41060	802.50.41060
 toilet flushing solution (model E)	left	700 mm	802.50.42160	802.50.42160	802.50.42160	802.50.42160
		750 mm	802.50.42260	802.50.42260	802.50.42260	802.50.42260
		850 mm	802.50.42360	802.50.42360	802.50.42360	802.50.42360
		900 mm	802.50.42460	802.50.42460	802.50.42460	802.50.42460
	right	700 mm	802.50.42560	802.50.42560	802.50.42560	802.50.42560
		750 mm	802.50.42660	802.50.42660	802.50.42660	802.50.42660
		850 mm	802.50.42760	802.50.42760	802.50.42760	802.50.42760
		900 mm	802.50.42860	802.50.42860	802.50.42860	802.50.42860
 toilet flushing solution/function button (model E)	left	700 mm	802.50.42960	802.50.42960	802.50.42960	802.50.42960
		750 mm	802.50.43060	802.50.43060	802.50.43060	802.50.43060
		850 mm	802.50.43160	802.50.43160	802.50.43160	802.50.43160
		900 mm	802.50.43260	802.50.43260	802.50.43260	802.50.43260
	right	700 mm	802.50.43360	802.50.43360	802.50.43360	802.50.43360
		750 mm	802.50.43460	802.50.43460	802.50.43460	802.50.43460
		850 mm	802.50.43560	802.50.43560	802.50.43560	802.50.43560
		900 mm	802.50.43660	802.50.43660	802.50.43660	802.50.43660
 function button (model E)	left	700 mm	802.50.46160	802.50.46160	802.50.46160	802.50.46160
		750 mm	802.50.46260	802.50.46260	802.50.46260	802.50.46260
		850 mm	802.50.46360	802.50.46360	802.50.46360	802.50.46360
		900 mm	802.50.46460	802.50.46460	802.50.46460	802.50.46460
	right	700 mm	802.50.46560	802.50.46560	802.50.46560	802.50.46560
		750 mm	802.50.46660	802.50.46660	802.50.46660	802.50.46660
		850 mm	802.50.46760	802.50.46760	802.50.46760	802.50.46760
		900 mm	802.50.46860	802.50.46860	802.50.46860	802.50.46860
 with floor support (mounting height 760 mm)		700 mm	802.50.43760	802.50.43760	802.50.43760	802.50.43760
		750 mm	802.50.43860	802.50.43860	802.50.43860	802.50.43860
		850 mm	802.50.43960	802.50.43960	802.50.43960	802.50.43960
		900 mm	802.50.44060	802.50.44060	802.50.44060	802.50.44060






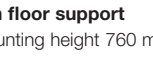
HEWI Powder coating | Material combinations with synthetic material

-  ...60 SD glossy signal white | matt signal white
-  ...60 GU glossy signal white | matt anthracite
-  ...60 TB glossy anthracite | matt signal white
-  ...60 DR glossy anthracite | matt anthracite

HEWI Fixing material BM10.3 to BM18.3 and BM20.4 to 28.4 (for height-adjustable plate) to be ordered separately see pages 312, 314 or 738, 739



## HINGED SUPPORT RAIL PREMIUM

Function	Version (seen from user's view)	Projection A	Base colour glossy signal white		Base colour glossy anthracite	
			Grip pad matt signal white ...60-SD	Grip pad matt anthracite ...60-GU	Grip pad matt signal white ...60-TB	Grip pad matt anthracite ...60-DR
		600 mm	802.50.41160	802.50.41160	802.50.41160	802.50.41160
		700 mm	802.50.41260	802.50.41260	802.50.41260	802.50.41260
		750 mm	802.50.41360	802.50.41360	802.50.41360	802.50.41360
		850 mm	802.50.41460	802.50.41460	802.50.41460	802.50.41460
		900 mm	802.50.41560	802.50.41560	802.50.41560	802.50.41560
		600 mm	802.50.41660	802.50.41660	802.50.41660	802.50.41660
		700 mm	802.50.41760	802.50.41760	802.50.41760	802.50.41760
		750 mm	802.50.41860	802.50.41860	802.50.41860	802.50.41860
		850 mm	802.50.41960	802.50.41960	802.50.41960	802.50.41960
		900 mm	802.50.42060	802.50.42060	802.50.42060	802.50.42060
	left	700 mm	802.50.44160	802.50.44160	802.50.44160	802.50.44160
		750 mm	802.50.44260	802.50.44260	802.50.44260	802.50.44260
		850 mm	802.50.44360	802.50.44360	802.50.44360	802.50.44360
		900 mm	802.50.44460	802.50.44460	802.50.44460	802.50.44460
	right	700 mm	802.50.44560	802.50.44560	802.50.44560	802.50.44560
		750 mm	802.50.44660	802.50.44660	802.50.44660	802.50.44660
		850 mm	802.50.44760	802.50.44760	802.50.44760	802.50.44760
		900 mm	802.50.44860	802.50.44860	802.50.44860	802.50.44860
	left	700 mm	802.50.44960	802.50.44960	802.50.44960	802.50.44960
		750 mm	802.50.45060	802.50.45060	802.50.45060	802.50.45060
		850 mm	802.50.45160	802.50.45160	802.50.45160	802.50.45160
		900 mm	802.50.45260	802.50.45260	802.50.45260	802.50.45260
	right	700 mm	802.50.45360	802.50.45360	802.50.45360	802.50.45360
		750 mm	802.50.45460	802.50.45460	802.50.45460	802.50.45460
		850 mm	802.50.45560	802.50.45560	802.50.45560	802.50.45560
		900 mm	802.50.45660	802.50.45660	802.50.45660	802.50.45660
	left	700 mm	802.50.46960	802.50.46960	802.50.46960	802.50.46960
		750 mm	802.50.47060	802.50.47060	802.50.47060	802.50.47060
		850 mm	802.50.47160	802.50.47160	802.50.47160	802.50.47160
		900 mm	802.50.47260	802.50.47260	802.50.47260	802.50.47260
	right	700 mm	802.50.47360	802.50.47360	802.50.47360	802.50.47360
		750 mm	802.50.47460	802.50.47460	802.50.47460	802.50.47460
		850 mm	802.50.47560	802.50.47560	802.50.47560	802.50.47560
		900 mm	802.50.47660	802.50.47660	802.50.47660	802.50.47660
		700 mm	802.50.45760	802.50.45760	802.50.45760	802.50.45760
		750 mm	802.50.45860	802.50.45860	802.50.45860	802.50.45860
		850 mm	802.50.45960	802.50.45960	802.50.45960	802.50.45960
		900 mm	802.50.46060	802.50.46060	802.50.46060	802.50.46060

## HEWI Surfaces

DX  
 Chr

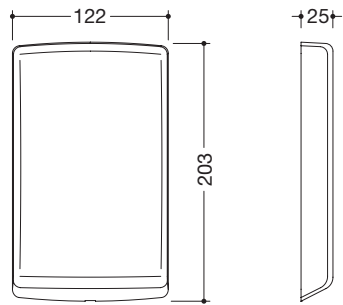
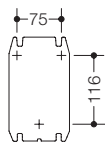
HEWI Fixing material BM10.3 to BM18.3  
 and BM20.4 to 28.4 (for height-adjustable plate)  
 to be ordered separately see pages 312, 314 or 738, 739

Item Number

Dimensions in mm / Specification



Drill hole



802.50.00390

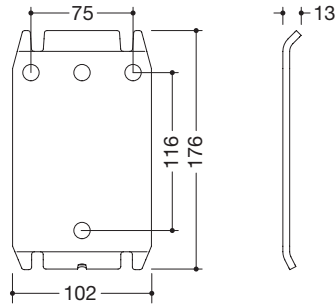
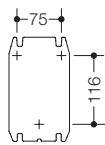
**HEWI Mounting plate with cover**

- 122 mm wide, 203 mm high, 25 mm deep
- wall plate made of stainless steel, satin finished
- cover made of high-quality synthetic material in HEWI colours 98 (signal white) and 92 (anthracite grey)
- covered, non-corrosive and tested HEWI fixing material for different wall constructions (to be ordered separately)

- Cover
- Mounting plate



Drill hole

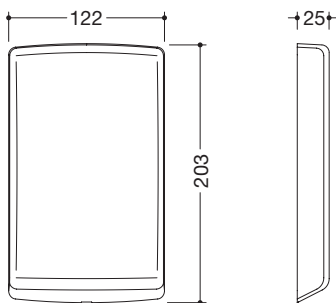


802.50.001XA

**HEWI Mounting plate**

- to hold hinged support rails 802.50... or cover 802.50.00260
- 102 mm wide, 176 mm high, 13 mm deep
- made of stainless steel, satin finished
- covered, non-corrosive and tested HEWI fixing material for different wall constructions (to be ordered separately)

- 



802.50.00290

**HEWI Cover for mounting plate**

- to cover installed mounting plates
- 122 mm wide, 203 mm high, 25 mm deep
- made of high-quality synthetic material in HEWI colours 98 (signal white) and 92 (anthracite grey)

- 

**HEWI Colours | Surfaces**

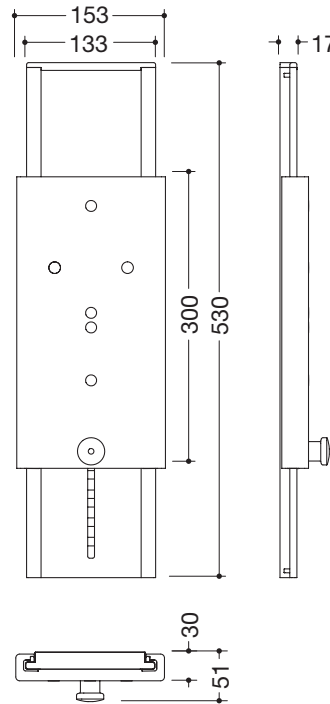
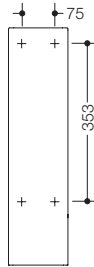
- ■  ■
- 98 92 XA

Item Number

Dimensions in mm / Specification



Drill hole



**950.50.10260**

**HEWI Height adjustable plate**

- to hold hinged support rails 802.50..., 900.50... and 801.50...
- height adjustment, in order to be able to adapt the required support height to the user
- adjustment downwards, pull out locking bolt, adjustment upwards possible without pulling out the locking bolt
- adjustment range 200 mm
- 153 mm wide, 530 mm high, 30 mm deep
- made of aluminum powder-coated in HEWI colours DX (matt signal white) and FV (matt pure white)



**...60-DX**  
**...60-FV**

- matt signal white
- matt pure white

Range 802  
LifeSystem

**For mounting plate**

- BM17.3**
- BM10.3**
- BM11.3**
- BM12.3**
- BM13.3**
- BM18.3**

**For height adjustable plate**

- BM27.4**
- BM20.4**
- BM21.4**
- BM22.4**
- BM23.4**
- BM28.4**

**Fixing material to be ordered separately pages 738, 739**

for fixing on walls made of:

- concrete > C20/C25, national technical approval number: ETA-11/0493
- concrete > C20/C25
- autoclaved aerated concrete (> P2)
- lightweight walls with rear lining made of laminated timber boards ...
- lightweight walls with integrated steel plates ...
- hollow concrete block, vertically perforated bricks, solid bricks,....,
- national technical approval number: ETA-13/1036

**HEWI Surfaces**

- 
- DX FV

**Hinged support rails System 802 LifeSystem** see pages 312-317

**Hinged support rails Range 477/801** see pages 121-135

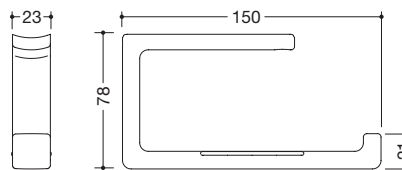
**Hinged support rails System 900** see pages 230-237

Item Number

Dimensions in mm / Specification



802.50.01160



**HEWI Upgrade kit toilet roll holder**

- for easy installation and for retrofitting on hinged support rails 802.50.. from a projection of 700 mm
- can be combined with upgrade kit wc flushing mechanism 802.50.06.., walking aid holder 802.50.01260 or shelf 802.50.01360
- with roll brake
- 23 mm wide, 78 mm high, 150 mm deep
- made of aluminum, powder-coated in HEWI colours ED (glossy signal white) and FH (glossy anthracite)

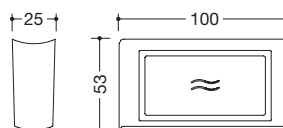


...60-ED  
...60-FH

- glossy signal white
- glossy anthracite



802.50.06260  
802.50.06360



**HEWI Upgrade kit WC flushing mechanism (radio-controlled)**

- for easy installation and for retrofitting on hinged support rails 802.50..
- can be combined with upgrade kit walking aid holder 802.50.01260, shelf 802.50.01360, toilet roll holder 802.50.01160 or floor support for upgrade kit WC flushing mechanism (radio-controlled) 802.50.02..
- transmission frequency 868,4 MHz
- 25 mm wide, 53 mm high, 100 mm deep
- suitable for radio-controlled WC flushing systems of Geberit, Mepa, Viega, Sanit, Friatec, TECE and Grohe
- made of aluminum, powder-coated in HEWI colours SD (glossy signal white) and DR (glossy anthracite)

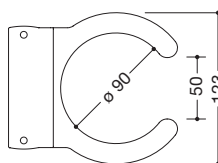
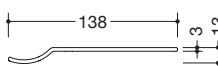


...60-SD  
...60-DR

- left handed version (image and drawing above)
- right handed version
- glossy signal white
- glossy anthracite



**New** 802.50.01260



**HEWI Upgrade kit Walking aid holder**

- for easy installation and for retrofitting on hinged support rails 802.50..
- mountable on hinged support rail from 700 mm length
- can be combined with upgrade kit toilet roll holder 802.50.01160, WC flushing mechanism 802.50.06.. or floor support 802.50.02..
- 123 mm wide and 138 mm deep, material thickness 3 mm
- inner diameter 90 mm, to accommodate two walking aids
- made of stainless steel, powder-coated in HEWI colours ED (glossy signal white) and FH (glossy anthracite)



...60-ED  
...60-FH

- glossy signal white
- glossy anthracite

**HEWI Powder coating | Material combinations with synthetic material**

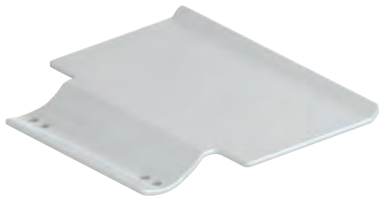
- ☒ ...60 SD glossy signal white | matt signal white
- ...60 DR glossy anthracite | matt anthracite

L /R Version from users point of view.  
Please advise colour when ordering.

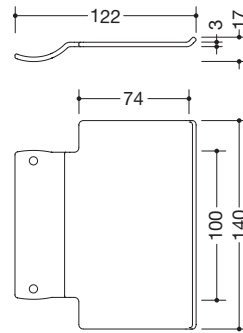
**Hinged support rails** see pages 312-317

Item Number

Dimensions in mm / Specification



**New** 802.50.01360



**HEWI Upgrade kit shelf**

- for easy installation and for retrofitting on hinged support rails 802.50..
- mountable on hinged support rail from 700 mm length
- can be combined with upgrade kit toilet roll holder 802.50.01160, WC flushing mechanism 802.50.06.. or floor support 802.50.02..
- 140 mm wide and 122 mm deep, material thickness 3 mm
- shelf 140 mm x 74 mm
- made of stainless steel, powder-coated in HEWI colours ED (glossy signal white) and FH (glossy anthracite)



...60-ED

...60-FH

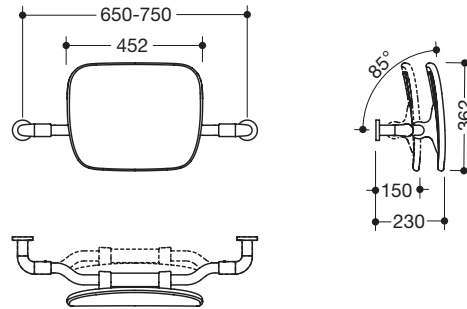
· glossy signal white

· glossy anthracite

Range 802  
LifeSystem

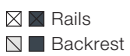


802.51.90060



**HEWI Backrest rail with roses**

- ergonomically shaped backrest
- wall distance can be variably set to 150 mm (standard-compliant) or 230 mm (user-friendly) during installation
- c to c 650 to 750 mm, 362 mm high, 150 or 230 mm deep, rail ø 34 mm, roses ø 70 mm
- backrest 452 mm wide, 85° tilt
- high-quality synthetic material surface and scratch-resistant powder coating
- easy and concealed installation with the wall-specific non-corrosive HEWI fixing material
- rail made of high-quality stainless steel, powder-coated in HEWI colours glossy signal white with backrest made of integral hard foam in HEWI colour SD (matt signal white) or rail in glossy anthracite with backrest DR (matt anthracite)
- fulfils the requirements according to DIN 18040 and ÖNORM B1600/1601



...60-SD

...60-DR

· signal white glossy/matt

· anthracite glossy/matt

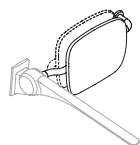
**HEWI Powder coating**



ED FH

Item Number

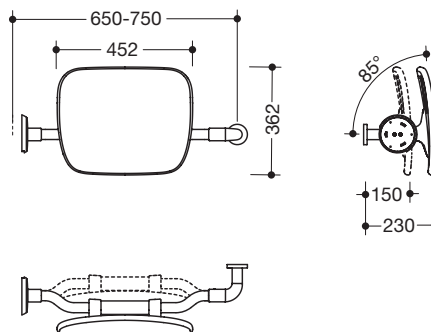
Dimensions in mm / Specification



- Rails
- Backrest
- Design elements

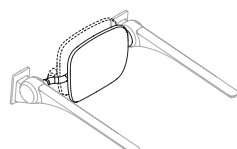
**802.51.90260**  
**802.51.90360**

**...60-SD**  
**...60-DR**



**HEWI Backrest rail with roses**

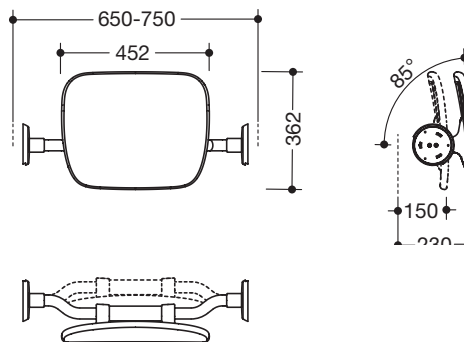
- ergonomically shaped backrest
- one-sided installation on the wall with rose
- one-side installation on hinged support rails 802.50..
- wall distance can be variably set to 150 mm (standard-compliant) or 230 mm (user-friendly) during installation
- c to c 650 to 750 mm, 362 mm high, 150 or 230 mm deep, rail ø 34 mm, rose ø 70 mm
- backrest 452 mm wide, 85° tilt
- high-quality synthetic material surface and scratch-resistant powder coating
- rail made of high-quality stainless steel, powder-coated in HEWI colours glossy signal white with backrest made of integral hard foam in HEWI colour SD (matt signal white) or rail in glossy anthracite with backrest DR (matt anthracite)
- fulfils the requirements according to DIN 18040, ÖNORM B1600/1601 and SIA 500
- rail left, rose right (from users point of view)
- rail right, rose left (from users point of view, see photo)
- signal white glossy/matt
- anthracite glossy/matt



- Rails
- Backrest
- Design elements

**802.51.90160**

**...60-SD**  
**...60-DR**



**HEWI Upgrade kit backrest rail**

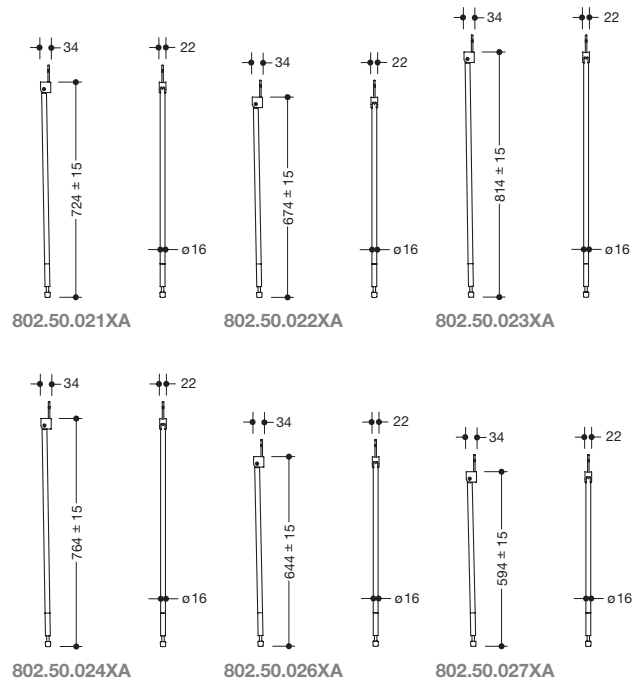
- ergonomically shaped backrest for easy retrofitting on hinged support rails 802.50..
- wall distance can be variably set to 150 mm (standard-compliant) or 230 mm (user-friendly) during installation
- c to c 650-750 mm, 362 mm high, 150 or 230 mm deep, rail ø 34 mm
- backrest 452 mm wide, 85° tilt
- high-q. synthetic material surface and scratch-resistant powder coating
- rail made of high-quality stainless steel, powder-coated in HEWI colours glossy signal white with backrest made of integral hard foam in HEWI colour SD (matt signal white) or rail in glossy anthracite with backrest DR (matt anthracite)
- fulfils the requirements acc. to DIN 18040 and ÖNORM B1600/1601
- signal white glossy/matt
- anthracite glossy/matt

**HEWI Powder coating | Material combinations with synthetic material**

- ...60 SD glossy signal white | matt signal white
- ...60 DR glossy anthracite | matt anthracite

Item Number

Dimensions in mm / Specification



Range 802  
LifeSystem

**HEWI Floor support**

- for retrofitting on hinged support rails 802.50...
- mountable on hinged support rail from 700 mm length
- height adjustment within +/- 15 mm range possible
- support made of high-quality stainless steel, satin finished
- connection made of aluminum, powder-coated in HEWI colours ED (glossy signal white) and FH (glossy anthracite)
- combinable with HEWI upgrade kits walking aid holder 802.50.01260 or shelf 802.50.01360
- produced in accordance with Regulation (EU) 2017/745 on medical devices

**· mounting height 760 mm (fulfils height adjustment requirements according to DIN 18040)**

- vertical length 724 mm

**New 802.50.021XA**

- vertical length 674 mm

**New 802.50.022XA**

- to use with HEWI upgrade kit WC flushing mechanism (radio-controlled) 802.50.06260 and 802.50.06360

**· mounting height 850 mm (fulfils height adjustment requirements according to ÖNORM B 1600)**

- vertical length 814 mm

**New 802.50.023XA**

- vertical length 764 mm

**New 802.50.024XA**

- to use with HEWI upgrade kit WC flushing mechanism (radio-controlled) 802.50.06260 and 802.50.06360

**· mounting height 680 mm**

- vertical length 644 mm

**New 802.50.026XA**

- vertical length 594 mm

**New 802.50.027XA**

- to use with HEWI upgrade kit WC flushing mechanism (radio-controlled) 802.50.06260 and 802.50.06360



...60-ED

- glossy signal white

...60-FH

- glossy anthracite

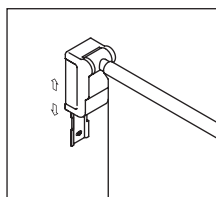
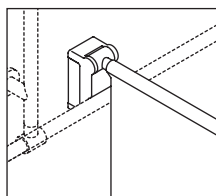
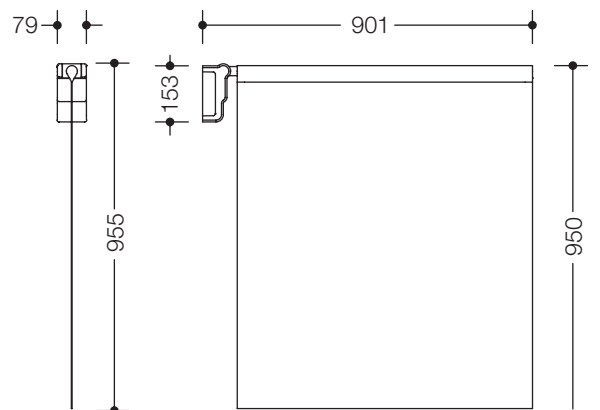
**HEWI Powder coating**



ED FH

Item Number

Dimensions in mm / Specification



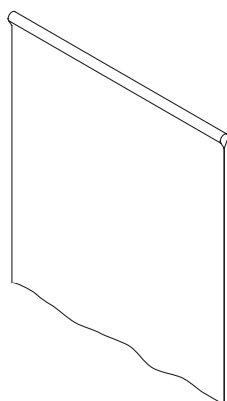
■ Rail  
Module in 14 HEWI colours

- 802.52.20001
- 802.52.20030
- 802.52.20038
- New** 802.52.20039
- New** 802.52.20040
- New** 802.52.20041

**HEWI Shower spray guard**

- rail with shower curtain
- can be fitted to rail system and is suitable for wall mounting
- spray guard can be folded upwards
- projection 901 mm, 79 mm wide 153 mm high, rail ø 25 mm
- mounting height 950 mm
- shower spray guard curtain
  - with seamed side edges, bottom edge with stainless steel roll seam
  - can be drawn up with slide safety device
  - washable at 40 °C and disinfected at 60 °C, antistatic
  - special mould and mildew stain resistant finish, shower proof
  - 950 mm high and 805 mm wide
  - curtains made of Trevira CS with antimicrobial finish based on silver
- rail highly polished chrome
- hanging up and/or storage module made of high-quality polyamide
- white/silver pattern, fire retardant to DIN 4102/B1, 100 % Trevira CS
- white pattern, fire retardant to DIN 4102/B1, 100 % Trevira CS
- squares umber/sand, fire retardant to DIN 4102/B1, 100 % Trevira CS
- pure wool white, made of 100 % polyester
- pure pebble grey, made of 100 % polyester
- pure grey green, made of 100 % polyester

Please indicate colour of module when ordering.



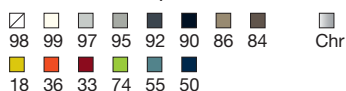
- 802.52.01001
- 802.52.01030
- 802.52.01038
- New** 802.52.01039
- New** 802.52.01040
- New** 802.52.01041

**HEWI Shower spray guard curtain**

- printed with coloured pattern or white
- with seamed side edges and bottom edge with stainless steel roll seam
- can be drawn up with slide safety device
- washable at 40 °C and disinfected at 60 °C, antistatic
- microbial and bacterial resistant, shower proof
- suitable for mounting height 950 mm, 805 mm wide
- curtains made of Trevira CS with antimicrobial finish based on silver or 100 % polyester
- white/silver pattern, fire retardant to DIN 4102/B1, 100 % Trevira CS
- white pattern, fire retardant to DIN 4102/B1, 100 % Trevira CS
- squares umber/sand, fire retardant to DIN 4102/B1, 100 % Trevira CS
- pure wool white, made of 100 % polyester
- pure pebble grey, made of 100 % polyester
- pure grey green, made of 100 % polyester

Special length available upon request.

**14 HEWI Colours | Surfaces**



**Pattern HEWI curtain decor** see register Shower curtains

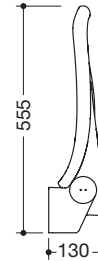
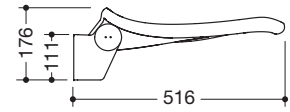
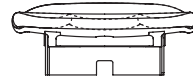
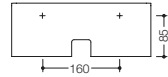


Item Number

Dimensions in mm / Specification



Drill hole



Range 802  
LifeSystem

802.51.23160

**HEWI Hinged seat Basic**

- ergonomically shaped seat
- high-quality synthetic material surface and scratch-resistant powder coating
- seat weight capacity up to 150 kg
- seat can be folded up to save space
- maintenance free, permanently smooth and easy moving joint
- 452 mm wide, 176 mm high, 516 mm deep
- when folded up 555 mm high and 130 mm deep
- seat 452 mm wide, 450 mm deep
- seat with water drainage
- console made of stainless steel, powder-coated in HEWI colours glossy signal white with seat made of high-quality PUR in SD (matt signal white) or glossy anthracite with seat in DR (matt anthracite)
- with high-gloss chrome-plated design elements
- for mounting with non-corrosive and tested HEWI fixing material for different wall constructions (to be ordered separately)
- sealing tape for sealing the fixing points included in delivery
- fulfils the requirements according to DIN 18040, ÖNORM B1600/1601 and SIA 500



...60 SD  
...60 DR

- signal white glossy/matt
- anthracite glossy/matt

802.51.23660

**with hygiene cutout**

- do., seat with hygiene cutout
- signal white glossy/matt
- anthracite glossy/matt

- ☒ Console
- ☒ Seat
- ☐ Design elements

...60 SD  
...60 DR

**Fixing material to be ordered separately page 738**

for fixing on walls made of:

- BM17.2
- BM10.2
- BM11.2
- BM12.2
- BM13.2
- BM18.2

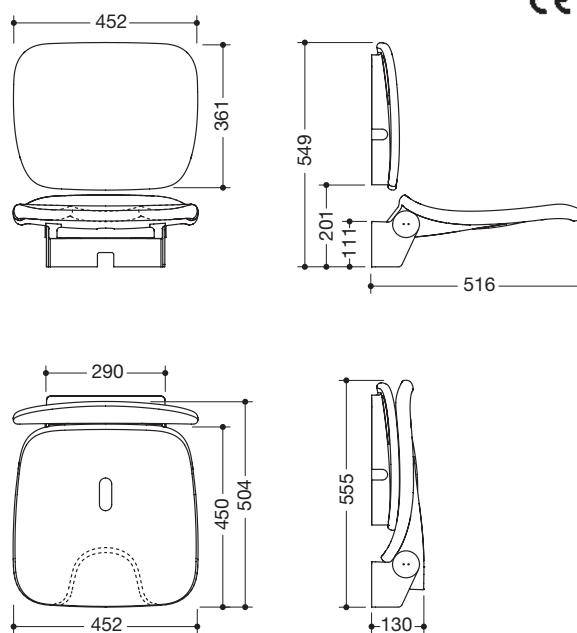
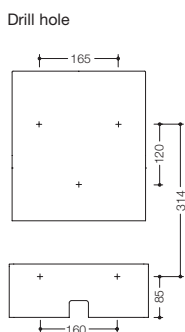
- concrete > C20/C25, national technical approval number: ETA-11/0493
- concrete > C20/C25
- autoclaved aerated concrete (> P2)
- lightweight walls with rear lining made of laminated timber boards ...
- lightweight walls with integrated steel plates ...
- hollow concrete block, vertically perforated bricks, solid bricks, ..., national technical approval number: ETA-13/1036

**HEWI Powder coating | Material combinations with synthetic material**

- ☒☒ ...60 SD glossy signal white | matt signal white
- ☒☒ ...60 DR glossy anthracite | matt anthracite

Item Number

Dimensions in mm / Specification



802.51.23260

**HEWI Hinged seat Comfort**

- ergonomically shaped seat with backrest
- high-quality synthetic material surface and scratch-resistant powder coating
- seat weight capacity up to 150 kg
- seat can be folded up to save space
- maintenance free, permanently smooth and easy moving joint
- 452 mm wide, 549 mm high, 516 mm deep
- when folded up 555 mm high and 130 mm deep
- seat 452 mm wide, 450 mm deep, seat with water drainage
- console made of stainless steel, powder-coated in HEWI colours glossy signal white with seat and backrest made of high-quality PUR/ integral hard foam in SD (matt signal white) or glossy anthracite with seat and backrest in DR (matt anthracite)
- with high-gloss chrome-plated design elements
- for mounting with non-corrosive and tested HEWI fixing material for different wall constructions (to be ordered separately)
- sealing tape for sealing the fixing points included in delivery
- fulfils the requirements according to DIN 18040, ÖNORM B1600/1601 and SIA 500



...60-SD  
...60-DR

- signal white glossy/matt
- anthracite glossy/matt

802.51.23760

**with hygiene cutout**

- do., seat with hygiene cutout
- signal white glossy/matt
- anthracite glossy/matt

- ☒ Console
- ☒ Seat, backrest
- ☐ Design elements

...60-SD  
...60-DR

**Fixing material to be ordered separately page 738**

for fixing on walls made of:

- BM17.2
- BM10.2
- BM11.2
- BM12.2
- BM13.2
- BM18.2

- concrete > C20/C25, national technical approval number: ETA-11/0493
- concrete > C20/C25
- autoclaved aerated concrete (> P2)
- lightweight walls with rear lining made of laminated timber boards ...
- lightweight walls with integrated steel plates ...
- hollow concrete block, vertically perforated bricks, solid bricks, ..., national technical approval number: ETA-13/1036

BM211

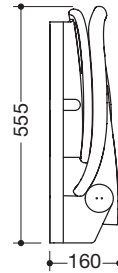
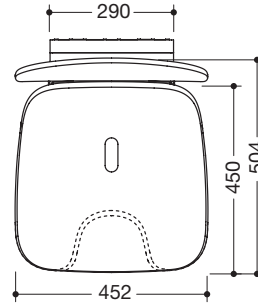
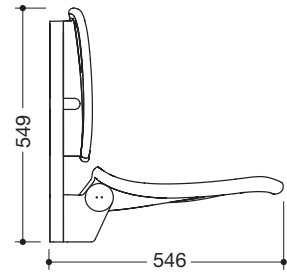
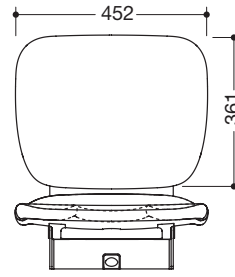
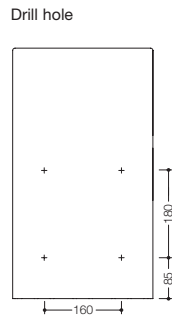
Fixing material for backrest rail

**HEWI Powder coating | Material combinations with synthetic material**

- ☒ ...60 SD glossy signal white | matt signal white
- ☒ ...60 DR glossy anthracite | matt anthracite

Item Number

Dimensions in mm / Specification



802.51.23460

**HEWI Hinged seat Comfort, with height adjustment**

- ergonomically shaped seat with backrest
- high-quality synthetic material surface and scratch-resistant powder coating
- seat weight capacity up to 150 kg
- seat can be folded up to save space
- maintenance free, permanently smooth and easy moving joint
- 452 mm wide, 549 mm high, 546 mm deep
- when folded up 555 mm high and 160 mm deep
- seat 452 mm wide, 450 mm deep, with water drainage
- seat height adjustable to 4 levels from 420 mm to 510 mm (each 30 mm)
- console and height adjustment made of stainless steel, powder-coated in HEWI colours glossy signal white with seat and backrest made of high-quality PUR/integral hard foam in SD (matt signal white) or glossy anthracite with seat and backrest in DR (matt anthracite)
- with high-gloss chrome-plated design elements
- for mounting with non-corrosive and tested HEWI fixing material for different wall constructions (to be ordered separately)
- sealing tape for sealing the fixing points included in delivery
- fulfils the requirements according to DIN 18040, ÖNORM B1600/1601 and SIA 500



...60-SD  
...60-DR

- signal white glossy/matt
- anthracite glossy/matt

802.51.23960

**with hygiene cutout**

- do., seat with hygiene cutout
- signal white glossy/matt
- anthracite glossy/matt

- Console
- Seat, backrest
- Design elements

BM27.4  
BM20.4  
BM21.4  
BM22.4  
BM23.4  
BM28.4

**Fixing material to be ordered separately page 739**

for fixing on walls made of:

- concrete > C20/C25, national technical approval number: ETA-11/0493
- concrete > C20/C25
- autoclaved aerated concrete (> P2)
- lightweight walls with rear lining made of laminated timber boards ...
- lightweight walls with integrated steel plates ...
- hollow concrete block, vertically perforated bricks, solid bricks, ..., national technical approval number: ETA-13/1036

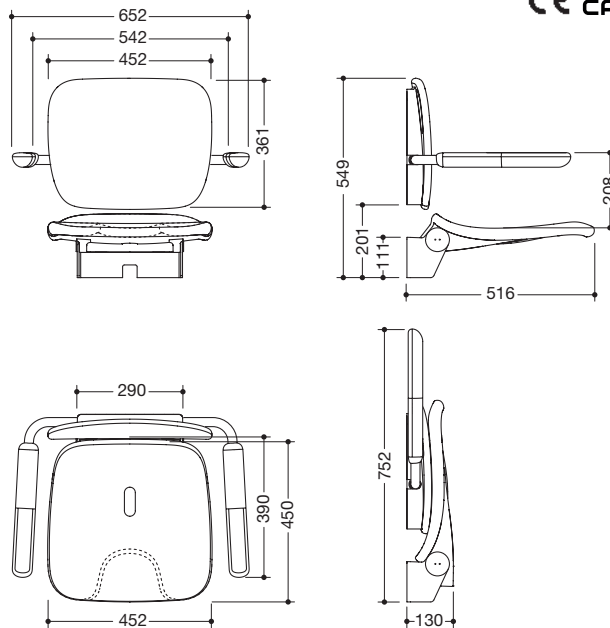
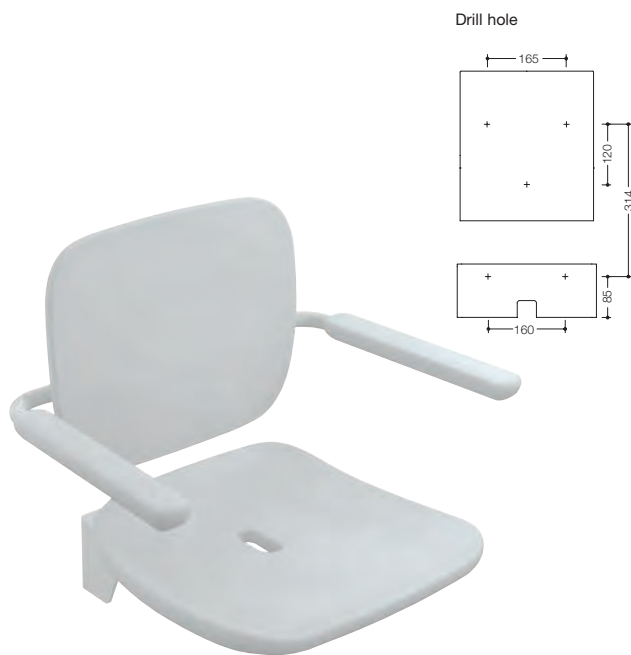
**HEWI Surfaces**

- Chr

Range 802  
LifeSystem

Item Number

Dimensions in mm / Specification



802.51.23360

**HEWI Hinged seat Premium**

- ergonomically shaped seat with back- and armrests
- high-quality synthetic material surface and scratch-resistant powder coating
- seat weight capacity up to 150 kg
- seat can be folded up to save space
- maintenance free, permanently smooth and easy moving joint
- 652 mm wide, 549 mm high, 516 mm deep
- when folded up 752 mm high and 130 mm deep
- seat 452 mm wide, 450 mm deep, seat with water drainage
- console made of stainless steel, powder-coated in HEWI colours glossy signal white with seat, back- and armrests made of high-quality PUR/integral hard foam in SD (matt signal white) or glossy anthracite with seat, back- and armrests in DR (matt anthracite), with high-gloss chrome-plated design elements
- armrests can be folded up and down separately
- for mounting with non-corrosive and tested HEWI fixing material for different wall constructions (to be ordered separately)
- sealing tape for sealing the fixing points included in delivery
- fulfils the requirements according to DIN 18040, ÖNORM B1600/1601 and SIA 500



...60-SD

- signal white glossy/matt

...60-DR

- anthracite glossy/matt

802.51.23860

**with hygiene cutout**

- do., seat with hygiene cutout

...60-SD

- signal white glossy/matt

...60-DR

- anthracite glossy/matt

- ☒ Console
- ☒ Seat, back-/armrests
- ☐ Design elements

**Fixing material to be ordered separately page 738**

for fixing on walls made of:

BM17.2

concrete > C20/C25, national technical approval number: ETA-11/0493

BM10.2

concrete > C20/C25

BM11.2

autoclaved aerated concrete (> P2)

BM12.2

lightweight walls with rear lining made of laminated timber boards ...

BM13.2

lightweight walls with integrated steel plates ...

BM18.2

hollow concrete block, vertically perforated bricks, solid bricks, ...,

national technical approval number: ETA-13/1036

BM211

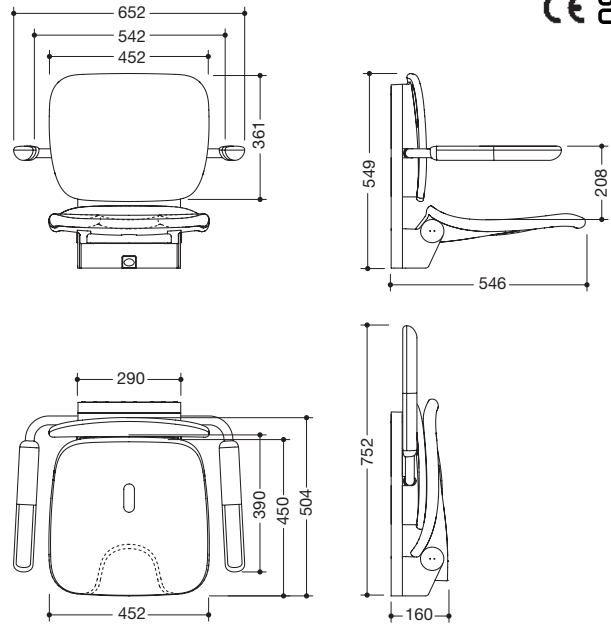
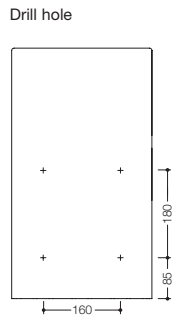
Fixing material for backrest rail

**HEWI Powder coating | Material combinations with synthetic material**

- ☒ ...60 SD glossy signal white | matt signal white
- ☒ ...60 DR glossy anthracite | matt anthracite

Item Number

Dimensions in mm / Specification



802.51.23560

**HEWI Hinged seat Premium, with height adjustment**

- ergonomically shaped seat with back- and armrests
- high-quality synthetic material surface and scratch-resistant powder coating
- seat weight capacity up to 150 kg
- seat can be folded up to save space
- maintenance free, permanently smooth and easy moving joint
- 652 mm wide, 549 mm high, 546 mm deep
- when folded up 752 mm high and 160 mm deep
- seat 452 mm wide, 450 mm deep, seat with water drainage
- seat height adjustable to 4 levels from 420 mm to 510 mm (each 30 mm)
- console and height adjustment, powder-coated in HEWI colours glossy signal white with seat, back- and armrests made of high-quality PUR/integral hard foam in SD (matt signal white) or console in glossy anthracite with seat, back- and armrests in DR (matt anthracite), with high-gloss chrome-plated design elements
- armrests can be folded up and down separately
- for mounting with non-corrosive and tested HEWI fixing material for different wall constructions (to be ordered separately)
- sealing tape for sealing the fixing points included in delivery
- fulfils the requirements according to DIN 18040, ÖNORM B1600/1601 and SIA 500



...60-SD  
...60-DR

- signal white glossy/matt
- anthracite glossy/matt

802.51.24060

**with hygiene cutout**

- do., seat with hygiene cutout
- signal white glossy/matt
- anthracite glossy/matt

- Console
- Seat, back-/armrests
- Design elements

...60-SD  
...60-DR

**Fixing material to be ordered separately page 739**

for fixing on walls made of:

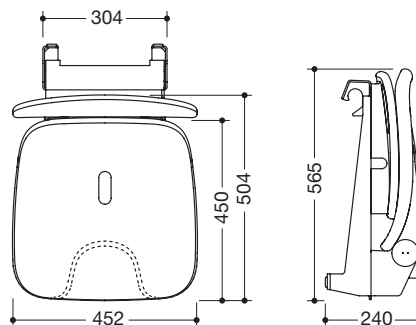
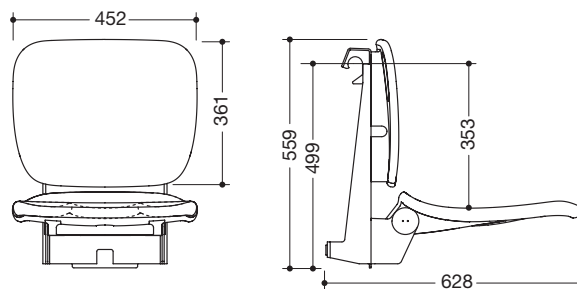
- BM27.4
- BM20.4
- BM21.4
- BM22.4
- BM23.4
- BM28.4

- concrete > C20/C25, national technical approval number: ETA-11/0493
- concrete > C20/C25
- autoclaved aerated concrete (> P2)
- lightweight walls with rear lining made of laminated timber boards ...
- lightweight walls with integrated steel plates ...
- hollow concrete block, vertically perforated bricks, solid bricks, ..., national technical approval number: ETA-13/1036

**HEWI Surfaces**

- Chr

Range 802  
LifeSystem



802.51.13160

**HEWI Removable hanging seat Comfort**

- ergonomically shaped seat with backrest
- high-quality synthetic material surface and scratch-resistant powder coating
- seat weight capacity up to 150 kg
- seat can be folded up to save space
- maintenance free, permanently smooth and easy moving joint
- 452 mm wide, 559 mm high, 628 mm deep
- when folded up 565 mm high and 240 mm deep
- seat 452 mm wide, 450 mm deep
- seat with water drainage
- for hanging into all HEWI shower grab rails and support rails
- suspension made of stainless steel, powder-coated in HEWI colours
- glossy signal white with seat and backrest made of high-quality PUR/ integral hard foam in SD (matt signal white) or glossy anthracite with seat and backrest in DR (matt anthracite)
- with high-gloss chrome-plated design elements
- fulfils the requirements according to DIN 18040, ÖNORM B1600/1601



...60-SD  
...60-DR

- signal white glossy/matt
- anthracite glossy/matt

802.51.13560

**with hygiene cutout**

- do., seat with hygiene cutout
- signal white glossy/matt
- anthracite glossy/matt

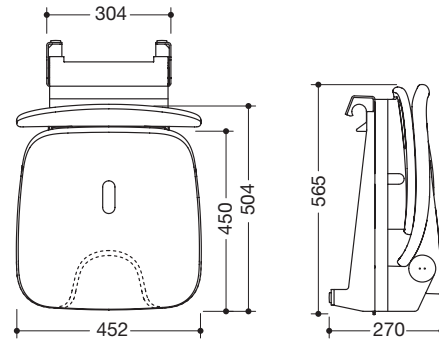
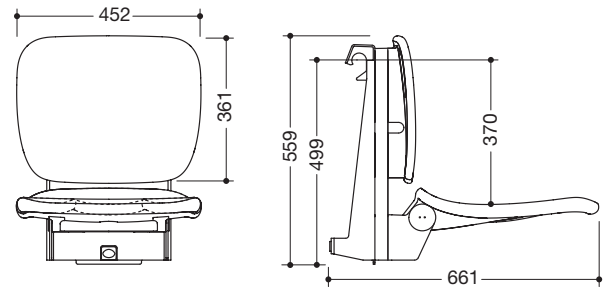
- ☒ Console
- ☒ Seat, backrest
- ☐ Design elements

**HEWI Powder coating | Material combinations with synthetic material**

- ☒ ...60 SD glossy signal white | matt signal white
- ☒ ...60 DR glossy anthracite | matt anthracite

Item Number

Dimensions in mm / Specification



Range 802  
LifeSystem

802.51.13360

**HEWI Removable hanging seat Comfort, with height adjustment**

- ergonomically shaped seat with backrest
- high-quality synthetic material surface and scratch-resistant powder coating
- seat weight capacity up to 150 kg
- seat can be folded up to save space
- maintenance free, permanently smooth and easy moving joint
- 452 mm wide, 559 mm high, 658 mm deep
- when folded up 565 mm high and 270 mm deep
- seat 452 mm wide, 450 mm deep
- seat with water drainage
- seat height adjustable to 4 levels from 420 mm to 510 mm (each 30 mm)
- for hanging into all HEWI shower grab rails and support rails
- suspension and height adjustment made of high-quality stainless steel, powder-coated in HEWI colours glossy signal white with seat and backrest made of high-quality PUR/integral hard foam in SD (matt signal white) or glossy anthracite with seat and backrest in DR (matt anthracite)
- with high-gloss chrome-plated design elements
- fulfils the requirements according to DIN 18040, ÖNORM B1600/1601



...60-SD  
...60-DR

- signal white glossy/matt
- anthracite glossy/matt

802.51.13760

**with hygiene cutout**

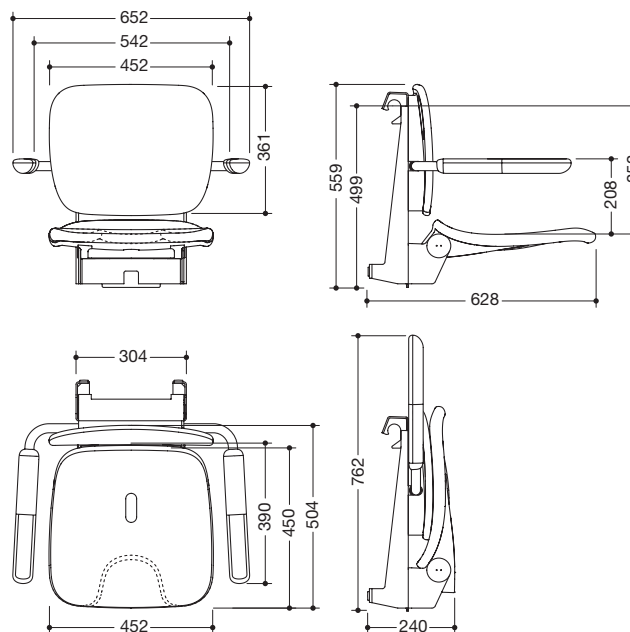
- do., seat with hygiene cutout
- signal white glossy/matt
- anthracite glossy/matt

- ☒ Console
- ☒ Seat, backrest
- ☒ Design elements

...60-SD  
...60-DR

**HEWI Surfaces**

- ☐ Chr



802.51.13260

**HEWI Removable hanging seat Premium**

- ergonomically shaped seat with back- and armrests
- high-quality synthetic material surface and scratch-resistant powder coating
- seat weight capacity up to 150 kg
- seat can be folded up to save space
- maintenance free, permanently smooth and easy moving joint
- 652 mm wide, 559 mm high, 628 mm deep
- when folded up 762 mm high and 240 mm deep
- seat 452 mm wide, 450 mm deep
- seat with water drainage
- for hanging into all HEWI shower grab rails and support rails
- suspension made of stainless steel, powder-coated in HEWI colours glossy signal white with seat, back- and armrests made of high-quality PUR/integral hard foam in SD (matt signal white) or glossy anthracite with seat, back- and armrests in DR (matt anthracite)
- with high-gloss chrome-plated design elements
- armrests can be folded up and down separately
- fulfils the requirements according to DIN 18040, ÖNORM B1600/1601



...60-SD  
...60-DR

- signal white glossy/matt
- anthracite glossy/matt

802.51.13660

**with hygiene cutout**

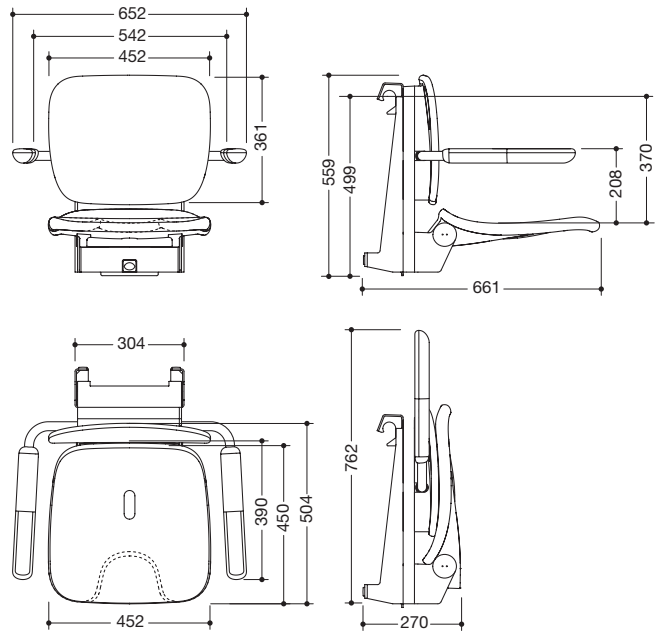
- do., seat with hygiene cutout
- signal white glossy/matt
- anthracite glossy/matt

- ☒ Console
- ☒ Seat, back-/armrests
- ☐ Design elements

**HEWI Powder coating | Material combinations with synthetic material**

- ☒ ...60 SD glossy signal white | matt signal white
- ☒ ...60 DR glossy anthracite | matt anthracite





Range 802  
LifeSystem

802.51.13460

**HEWI Removable hanging seat Premium, with height adjustment**

- ergonomically shaped seat with back- and armrests
- high-quality synthetic material surface and scratch-resistant powder coating
- seat weight capacity up to 150 kg
- seat can be folded up to save space
- maintenance free, permanently smooth and easy moving joint
- 652 mm wide, 559 mm high, 658 mm deep
- when folded up 762 mm high and 270 mm deep
- seat 452 mm wide, 450 mm deep
- seat with water drainage
- seat height adjustable to 4 levels from 420 mm to 510 mm (each 30 mm)
- for hanging into all HEWI shower grab rails and support rails
- suspension and height adjustment made of stainless steel, powder-coated in HEWI colours glossy signal white with seat, back- and armrests made of high-quality PUR/integral hard foam in SD (matt signal white) or glossy anthracite with seat, back- and armrests in DR (matt anthracite)
- with high-gloss chrome-plated design elements
- armrests can be folded up and down separately
- fulfils the requirements according to DIN 18040, ÖNORM B1600/1601

...60-SD

- signal white glossy/matt

...60-DR

- anthracite glossy/matt

802.51.13860

**with hygiene cutout**

- do., seat with hygiene cutout

...60-SD

- signal white glossy/matt

...60-DR

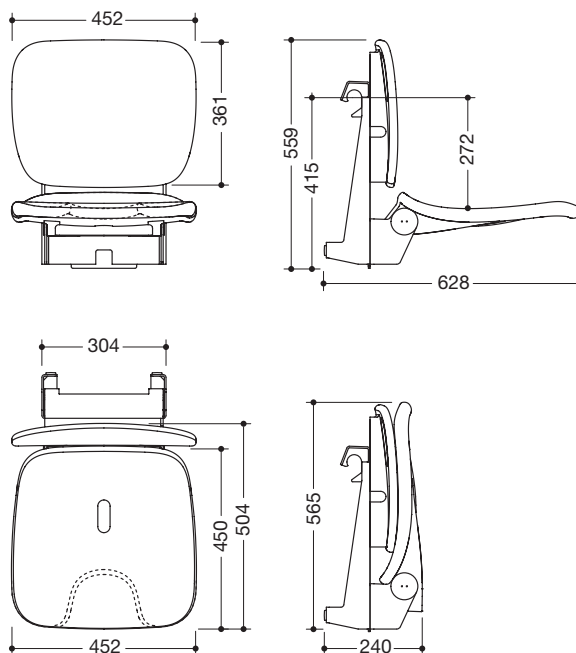
- anthracite glossy/matt



- ☒ ■ Console
- ☒ ■ Seat, back-/armrests
- Design elements

**HEWI Surfaces**

- Chr



802.51.13960

**HEWI Removable hanging seat Comfort especially for France and Switzerland**

- ergonomically shaped seat with backrest
- high-quality synthetic material surface and scratch-resistant powder coating
- seat weight capacity up to 150 kg
- seat can be folded up to save space
- maintenance free, permanently smooth and easy moving joint
- 452 mm wide, 555 mm high, 628 mm deep
- when folded up 565 mm high and 240 mm deep
- seat 452 mm wide, 450 mm deep
- seat with water drainage
- for hanging into all HEWI shower grab rails and support rails
- suspension made of stainless steel, powder-coated in HEWI colours glossy signal white with seat and backrest made of high-quality PUR/integral hard foam in SD (matt signal white) or suspension in glossy anthracite with seat and backrest in DR (matt anthracite) with high-gloss chrome-plated design elements
- fulfils the requirements according to SIA 500



...60-SD  
...60-DR

- signal white glossy/matt
- anthracite glossy/matt

802.51.14360

**with hygiene cutout**

- do., seat with hygiene cutout

...60-SD  
...60-DR

- signal white glossy/matt
- anthracite glossy/matt

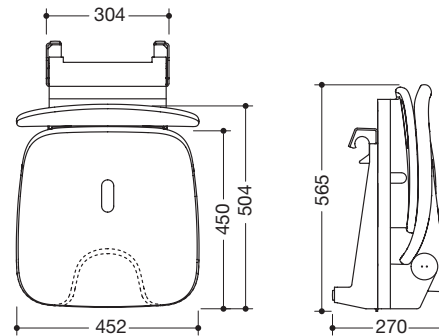
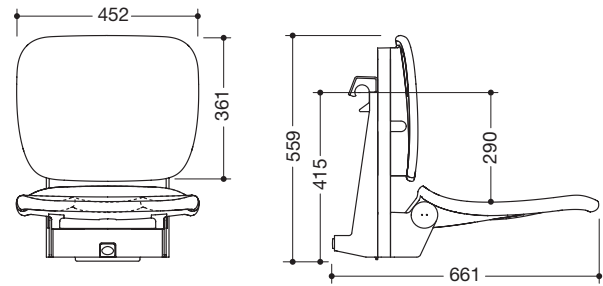
- Console
- Seat, backrest
- Design elements

**HEWI Powder coating | Material combinations with synthetic material**

- ...60 SD glossy signal white | matt signal white
- ...60 DR glossy anthracite | matt anthracite

Item Number

Dimensions in mm / Specification



Range 802  
LifeSystem

802.51.14160

**HEWI Removable hanging seat Comfort, with height adjustment especially for France and Switzerland**

- ergonomically shaped seat with backrest
- high-quality synthetic material surface and scratch-resistant powder coating
- seat weight capacity up to 150 kg
- seat can be folded up to save space
- maintenance free, permanently smooth and easy moving joint
- 452 mm wide, 556 mm high, 658 mm deep
- when folded up 565 mm high and 270 mm deep
- seat 452 mm wide, 450 mm deep
- seat with water drainage
- seat height adjustable to 4 levels from 420 mm to 510 mm (each 30 mm)
- for hanging into all HEWI shower grab rails and support rails
- suspension and height adjustment made of stainless steel, powder-coated in HEWI colours glossy signal white with seat and backrest made of high-quality PUR/integral hard foam in SD (matt signal white) or glossy anthracite with seat and backrest in DR (matt anthracite)
- with high-gloss chrome-plated design elements
- fulfils the requirements according to SIA 500

...60-SD  
...60-DR

- signal white glossy/matt
- anthracite glossy/matt

802.51.14560

**with hygiene cutout**

- do., seat with hygiene cutout
- signal white glossy/matt
- anthracite glossy/matt

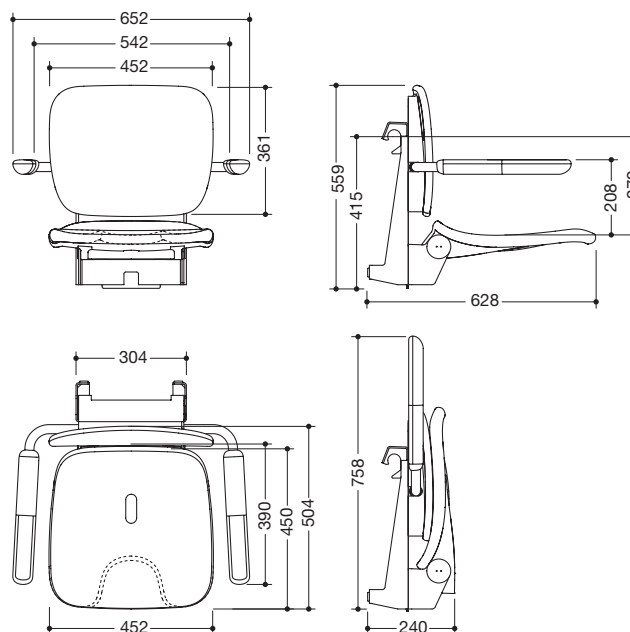
...60-SD  
...60-DR



- Console
- Seat, backrest
- Design elements

**HEWI Surfaces**

- Chr



802.51.14060

**HEWI Removable hanging seat Premium especially for France and Switzerland**

- ergonomically shaped seat with back- and armrests
- high-quality synthetic material surface and scratch-resistant powder coating
- seat weight capacity up to 150 kg
- seat can be folded up to save space
- maintenance free, permanently smooth and easy moving joint
- 652 mm wide, 555 mm high, 628 mm deep
- when folded up 758 mm high and 240 mm deep
- seat 452 mm wide, 450 mm deep
- seat with water drainage
- for hanging into all HEWI shower grab rails and support rails
- suspension made of stainless steel, powder-coated in HEWI colours glossy signal white with seat, back- and armrests made of high-quality PUR/integral hard foam in SD (matt signal white) or glossy anthracite with seat, back- and armrests in DR (matt anthracite)
- with high-gloss chrome-plated design elements
- armrests can be folded up and down separately
- fulfils the requirements according to SIA 500

...60-SD

...60-DR

· signal white glossy/matt

· anthracite glossy/matt

802.51.14460

**with hygiene cutout**

- do., seat with hygiene cutout

...60-SD

...60-DR

· signal white glossy/matt

· anthracite glossy/matt

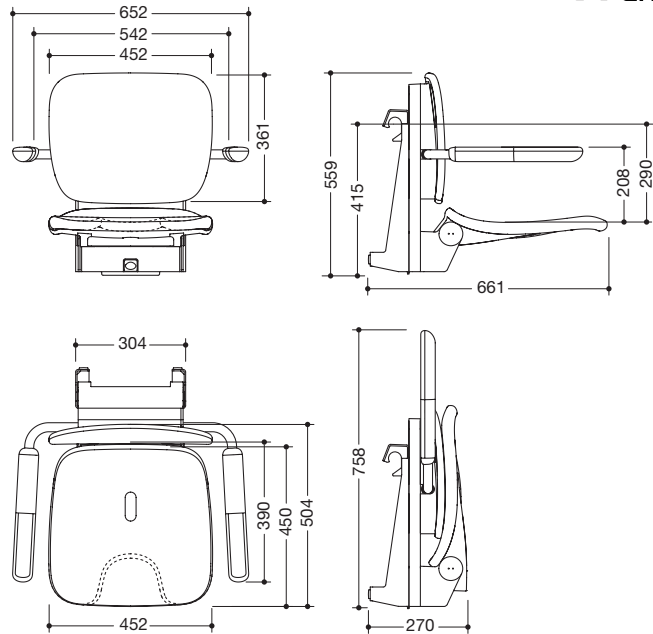
- ☒ Console
- ☒ Seat, back-/armrests
- ☐ Design elements

**HEWI Powder coating | Material combinations with synthetic material**

- ☒ ...60 SD glossy signal white | matt signal white
- ☒ ...60 DR glossy anthracite | matt anthracite

Item Number

Dimensions in mm / Specification



802.51.14260

**HEWI Removable hanging seat Premium, with height adjustment especially for France and Switzerland**

- ergonomically shaped seat with back- and armrests
- high-quality synthetic material surface and scratch-resistant powder coating
- seat weight capacity up to 150 kg
- seat can be folded up to save space
- maintenance free, permanently smooth and easy moving joint
- 652 mm wide, 556 mm high, 658 mm deep
- when folded up 758 mm high and 270 mm deep
- seat 452 mm wide, 450 mm deep
- seat with water drainage
- seat height adjustable to 4 levels from 420 mm to 510 mm (each 30 mm)
- for hanging into all HEWI shower grab rails and support rails
- suspension and height adjustment made of stainless steel, powder-coated in HEWI colours glossy signal white with seat, back- and armrests made of high-quality PUR/integral hard foam in SD (matt signal white) or glossy anthracite with seat, back- and armrests in DR (matt anthracite)
- with high-gloss chrome-plated design elements
- armrests can be folded up and down separately
- fulfils the requirements according to SIA 500

...60-SD

· signal white glossy/matt

...60-DR

· anthracite glossy/matt

802.51.14660

**with hygiene cutout**

- do., seat with hygiene cutout

...60-SD

· signal white glossy/matt

...60-DR

· anthracite glossy/matt

- ☒ ■ Console
- ☒ ■ Seat, back-/armrests
- ☐ ■ Design elements

**HEWI Surfaces**

- ☐ Chr

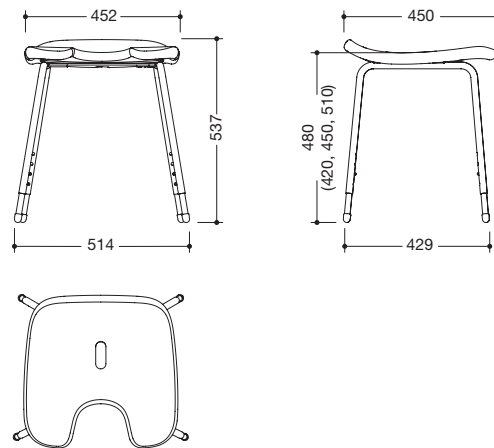
Range 802  
LifeSystem

Item Number

Dimensions in mm / Specification



802.51.32040



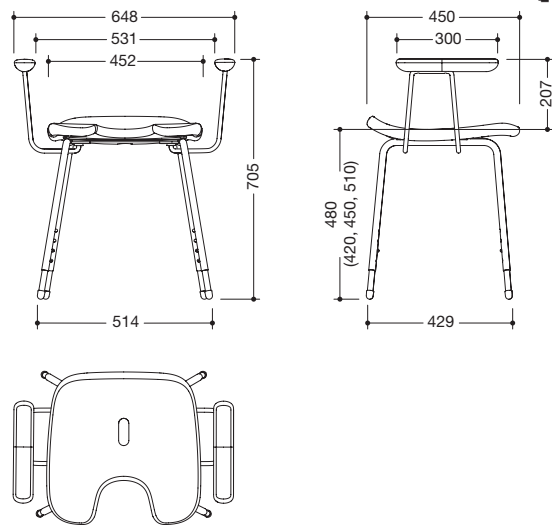
**HEWI Shower stool Basic**

- strong, ergonomically shaped stool
- with concealed, all-round grip edge
- seat weight capacity up to 150 kg
- 514 mm wide, 537 mm high, 450 mm deep
- seat 452 mm wide, 450 mm deep, net weight: approx. 6 kg
- seat made of high-quality PUR in HEWI colours 98 (matt signal white) and 92 (matt anthracite grey)
- seat with hygienic opening and water run-off
- four high-polished chrome height-adjustable steel legs with non-slip feet
- seat height adjustable to 4 levels from 420 mm to 510 mm (each 30 mm)

■ Frame  
 □ ■ Seat



802.51.32140



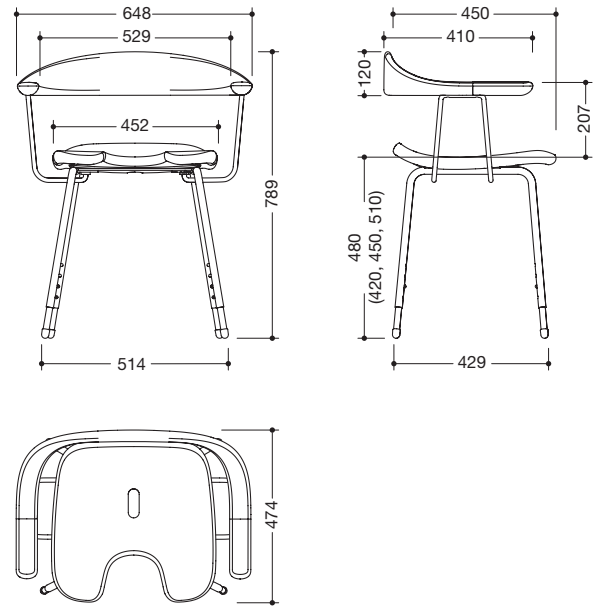
**HEWI Shower stool Comfort**

- strong, ergonomically shaped stool
- with lateral support handles with ergonomic grip pads
- seat weight capacity up to 150 kg
- 648 mm wide, 705 mm high, 450 mm deep
- seat 452 mm wide, 450 mm deep, net weight: approx. 8,5 kg
- seat and grip pads made of high-quality PUR/integral hard foam in HEWI colours 98 (matt signal white) and 92 (matt anthracite grey)
- seat with hygienic opening and water run-off
- four high-polished chrome height-adjustable steel legs with non-slip feet
- seat height adjustable to 4 levels from 420 mm to 510 mm (each 30 mm)

■ Frame  
 □ ■ Seat

Item Number

Dimensions in mm / Specification



802.51.32240

**HEWI Shower stool Premium**

- strong, ergonomically shaped stool
- with all-round arm/backrest
- seat weight capacity up to 150 kg
- 648 mm wide, 789 mm high, 474 mm deep
- seat 452 mm wide, 450 mm deep
- net weight: approx. 9 kg
- seat and all-round arm/backrest made of high-quality PUR/integral hard foam in HEWI colours 98 (matt signal white) and 92 (matt anthracite grey)
- seat with hygienic opening and water run-off
- four high-polished chrome height-adjustable steel legs with non-slip feet
- seat height adjustable to 4 levels from 420 mm to 510 mm (each 30 mm)

- Frame
- Seat

Range 802  
LifeSystem

**HEWI Colours | Surfaces**

- 98 92 Chr

## WARM TOUCH



### PRODUCT CHARACTERISTICS

- Products combine the optical properties of high-gloss chrome surface finishes with the haptic characteristics of polyamide
- Particularly pleasant grip comfort
- WARM TOUCH products are particularly suitable for people with increased sensitivity to cold due to the pleasant temperature of the surface finish
- The barrier-free WARM TOUCH elements can be supplemented with accessories from the HEWI sanitary ranges made of chrome to create a comprehensive system

### RECOMMENDED APPLICATION AREAS

Professional Care, Home, Hotel





# WARM TOUCH

## DESIGN

NOA Produktdesign, Aachen

## MATERIAL AND SURFACES

Chrome-look coated polyamide

## ACCESSIBILITY

Product range 342 – 343

Support 344 – 347

Grip 348 – 357



WARM TOUCH

WARM  
TOUCH

ACCESSIBILITY



**Hinged support rail Mono**  
950.50.11050 | 600 mm page 344

WARM TOUCH\*



**Hinged support rail Duo**  
950.50.12050 | 700 mm page 344  
950.50.13050 | 850 mm page 344  
950.50.14050 | 900 mm page 344

WARM TOUCH\*



**Hinged support rail Mono, mobile**  
950.50.11150 | 600 mm page 345

WARM TOUCH\*



**Hinged support rail Duo, mobile**  
950.50.12150 | 700 mm page 345  
950.50.13150 | 850 mm page 345

WARM TOUCH\*



**Support rail**  
950.36.1..50 page 348

WARM TOUCH\*



**L-shaped support rail**  
950.22.1..50 page 348

WARM TOUCH\*



**L-shaped support rail**  
950.22.20050 page 348

WARM TOUCH\*



**Support grab rail**  
950.35.1..50 page 349

WARM TOUCH\*



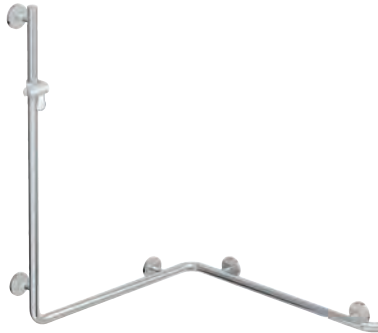
**Rail with shower head holder**  
950.33.1..5.. page 349

WARM TOUCH\*  
  Shower head holder



**L-shaped support rail with shower head holder**  
950.33.2..5.. page 350

WARM TOUCH\*  
  Shower head holder



**Rail with vertical support bar and shower head holder**  
950.35.2..5.. page 351

WARM TOUCH\*  
  Shower head holder



**Rail with vertical support bar and shower head holder**  
950.35.3..5.. page 352

WARM TOUCH\*  
  Shower head holder



**Rail with vertical support bar and shower head holder**  
950.35.4..5.. page 353

WARM TOUCH\*  
  Shower head holder



**Hinged seat**  
950.51.22590 page 528

Console  
 Seat



**Shower stool**  
950.51.3009.. page 523

Frame  
  Seat

**SURFACES**

■ chrome-look

**HEWI COLOURS**

- ☐ 98 (signal white)
- 92 (anthracite grey)
- 90 (jet black)

**ACCESSIBILITY**



**Support rail**

801.36.1..50

page 354

WARM TOUCH\*



**L-shaped support rail**

801.22.20050

page 354

WARM TOUCH\*



**L-shaped support rail**

801.22.1..50

page 354

WARM TOUCH\*



**Support grab rail**

801.35.11050

page 355

WARM TOUCH\*



**Rail with shower head holder**

801.33.1..50

page 355

WARM TOUCH\*

☐ ■ Shower head holder



**L-shaped support rail with shower head holder**

801.33.21050

page 356

WARM TOUCH\*

☐ ■ Shower head holder



**Rail with vertical support bar and shower head holder**

801.35.21050

page 356

WARM TOUCH\*

☐ ■ Shower head holder



**Rail with vertical support bar and shower head holder**

801.35.3..50

page 357

WARM TOUCH\*

☐ ■ Shower head holder



**Rail with vertical support bar and shower head holder**

801.35.4..50

page 357

WARM TOUCH\*

☐ ■ Shower head holder

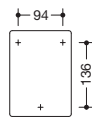
WARM TOUCH

Item Number

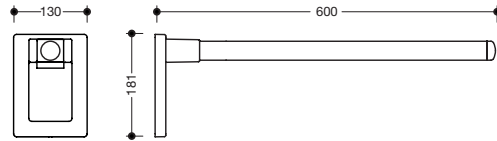
Dimensions in mm / Specification



Drill hole



950.50.11050



**HEWI Hinged support rail Mono | WARM TOUCH**

- made of chrome-look coated polyamide, warm to touch
- loading capacity according to DIN 18040 up to 100 kg
- can be folded upwards and, with friction device, downwards
- with continuous, corrosion resistant steel core
- integrated wall mounting plate made of steel with cap made of synthetic material, high-quality chrome-plated
- wall plate 181 mm high and 130 mm wide
- rail  $\varnothing$  33 mm, projection 600 mm
- stable three-point fixing
- for wall mounting with non-corrosive and tested HEWI fixing material for different wall constructions
- sealing tape for sealing the fixing points included in delivery

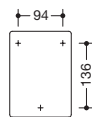
**HEWI Fixing material BM10.4 to BM18.4 to be ordered separately** page 739

**HEWI Upgrade products for hinged support rails to be ordered separately**

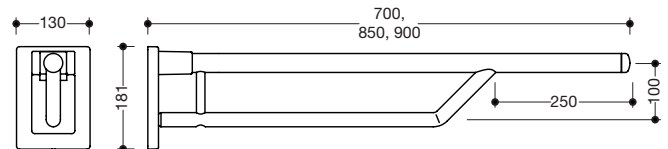
pages 346, 347



Drill hole



950.50.12050  
950.50.13050  
950.50.14050



**HEWI Hinged support rail Duo | WARM TOUCH**

- made of chrome-look coated polyamide, warm to touch
- bottom rail is merged with the top rail at an angle of 135°
- loading capacity according to DIN 18040 up to 100 kg
- can be folded upwards and, with friction device, downwards
- with continuous, corrosion resistant steel core
- integrated wall mounting plate made of steel with cap made of synthetic material, high-quality chrome-plated
- wall plate 181 mm high and 130 mm wide
- top rail  $\varnothing$  33 mm, bottom rail  $\varnothing$  25 mm
- stable three-point fixing
- for wall mounting with non-corrosive and tested HEWI fixing material for different wall constructions
- sealing tape for sealing the fixing points included in delivery

700 mm projection  
850 mm projection  
900 mm projection

**HEWI Fixing material BM10.4 to BM18.4 to be ordered separately** page 739

**HEWI Upgrade products for hinged support rails to be ordered separately**

pages 346, 347

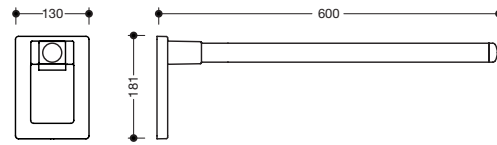


Item Number

Dimensions in mm / Specification



Drill hole



950.50.11150

**HEWI Mobile hinged support rail Mono | WARM TOUCH**

- for easy and flexible retrofitting on pre-assembled mounting plate 950.50.01440 (to be ordered separately)
- loading capacity according to DIN 18040 up to 100 kg
- can be folded upwards and, with friction device, downwards
- with continuous, corrosion resistant steel core
- wall plate 181 mm high and 130 mm wide
- rail  $\varnothing$  33 mm, projection 600 mm
- tool-free and quick installation by means of short, simple hanging
- secured against unintentional removal
- unlocking for flexible use by spring actuation
- made of chrome-look coated polyamide, warm to touch
- wall plate cover made of synthetic material, high-quality chrome-plated

**HEWI Fixing material BM10.2 to BM18.2 to be ordered separately** page 738

**HEWI Upgrade products for hinged support rails to be ordered separately**

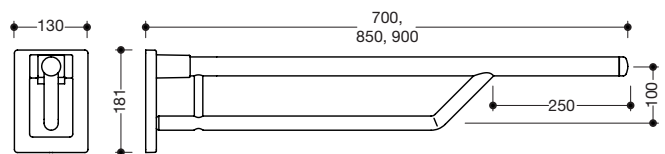
pages 346, 347

**Ordering aid mobile hinged support rails** see online catalogue

WARM TOUCH

WARM TOUCH

Drill hole



950.50.12150  
950.50.13150

**HEWI Mobile hinged support rail Duo | WARM TOUCH**

- for easy and flexible retrofitting on pre-assembled mounting plate 950.50.01440 (to be ordered separately)
- bottom rail is merged with the top rail at an angle of 135°
- loading capacity according to DIN 18040 up to 100 kg
- can be folded upwards and, with friction device, downwards
- with continuous, corrosion resistant steel core
- tool-free and quick installation by means of short, simple hanging
- secured against unintentional removal
- unlocking for flexible use by spring actuation
- wall plate 181 mm high and 130 mm wide
- top rail  $\varnothing$  33 mm, bottom rail  $\varnothing$  25 mm
- made of chrome-look coated polyamide, warm to touch
- wall plate cover made of synthetic material, high-quality chrome-plated

700 mm projection  
850 mm projection

**HEWI Fixing material BM10.2 to BM18.2 to be ordered separately** page 738

**HEWI Upgrade products for hinged support rails to be ordered separately**

pages 346, 347

**Ordering aid mobile hinged support rails** see online catalogue

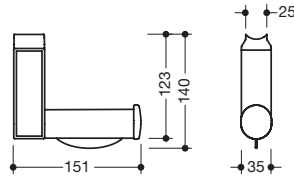
WARM TOUCH

Item Number

Dimensions in mm / Specification



950.50.01050

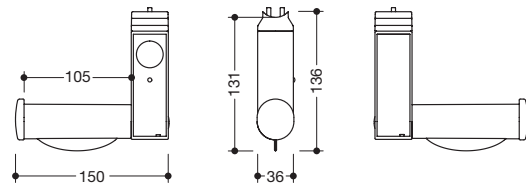


**HEWI Upgrade kit toilet roll holder | WARM TOUCH**

- for retrofitting on hinged support rails 950.50.1..
- integrated roll brake
- made of chrome-look coated polyamide, warm to touch
- 35 mm wide, 140 mm high, 151 mm deep



**New** 950.50.07090  
**New** 950.50.07190



**HEWI Upgrade kit toilet roll holder and WC flushing mechanism (radio-controlled)**

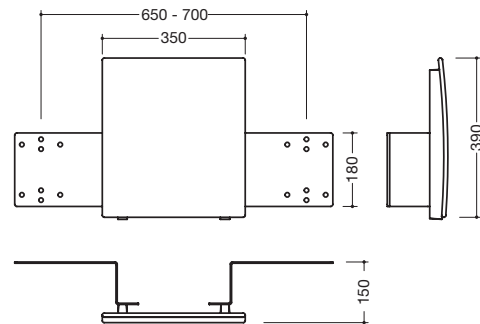
- for retrofitting on hinged support rails 950.50.1..
- blue button for triggering the WC flush mechanism
- easy installation, integrated roll brake
- 36 mm wide, 131 mm high and 150 mm deep
- transmission frequency 868,4 MHz
- suitable for radio-controlled WC flushing systems of Geberit, Mepa, Viega, Sanit, Friatec, TECE and Grohe
- made of high-quality polyamide in HEWI colours 98 (signal white), 99 (pure white), 92 (anthracite grey) and 33 (ruby red)

right handed version  
 left handed version

Left resp. right version from users point of view.  
 Please advise colour when ordering.



950.51.90090



**HEWI Backrest rail**

- backrest with right-angled mounting bar on each side
- fulfils the requirements according to DIN 18040
- mounting with hinged support rails 950.50....
- c to c 650 to 700 mm adjustable on site, 150 mm deep
- backrest 350 mm wide, 390 mm high
- backrest made of glass fibre reinforced polyamide
- mounting bar made of metal, white powder-coated
- available in HEWI colours 98 (signal white) and 92 (anthracite grey)

Can be combined with all mobile hinged support rails.

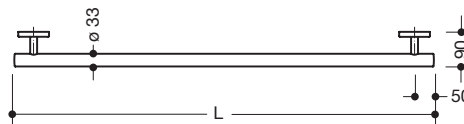
Please advise colour when ordering.

Ordering aid can be found in our online catalogue directly at the product.



Item Number

Dimensions in mm / Specification

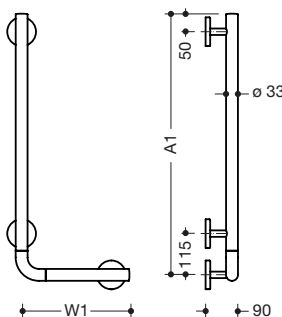


**HEWI Support rail | WARM TOUCH**

- made of chrome-look coated polyamide, warm to touch
- with continuous, corrosion resistant steel core
- 90 mm deep, rail  $\varnothing$  33 mm
- wall connection with filigree supports ( $\varnothing$  18 mm) perpendicular to wall and flat roses  $\varnothing$  80 mm, cap height 13 mm
- easy installation due to individually mounted fixing plates made of high-quality stainless steel for hanging the support rails
- including non-corrosive HEWI fixing material

950.36.10050  
 950.36.11050  
 950.36.13050  
 950.36.14050

L = 300 mm  
 L = 400 mm  
 L = 600 mm\*  
 L = 900 mm\*

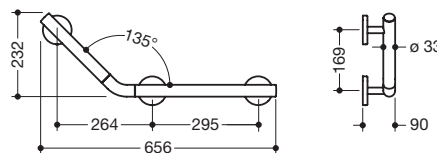


**HEWI L-shaped support rail | WARM TOUCH**

- made of chrome-look coated polyamide, warm to touch
- with continuous, corrosion resistant steel core
- can be mounted in left hand or right hand position
- 90 mm deep, rails  $\varnothing$  33 mm
- wall connection with filigree supports ( $\varnothing$  18 mm) perpendicular to wall and flat roses  $\varnothing$  80 mm, cap height 13 mm
- easy installation due to individually mounted fixing plates made of high-quality stainless steel for hanging the L-shaped support rail
- including non-corrosive HEWI fixing material

950.22.10050  
 950.22.11050  
 950.22.13050  
 950.22.14050

A1 = 600 mm, W1 = 300 mm  
 A1 = 900 mm, W1 = 400 mm  
 A1 = 750 mm, W1 = 500 mm (fulfils ÖNORM B 1600/1601)  
 A1 = 1000 mm, W1 = 500 mm (fulfils SIA 500)



950.22.20050

**HEWI L-shaped support rail | WARM TOUCH**

- made of chrome-look coated polyamide, warm to touch
- with continuous, corrosion resistant steel core
- increased stability through 3 mounting supports
- can be mounted in left hand or right hand position
- c to c 264 mm, 295 mm and 169 mm, angle 135°, 90 mm deep
- wall connection with filigree supports ( $\varnothing$  18 mm) perpendicular to wall and flat roses  $\varnothing$  80 mm, cap height 13 mm
- easy installation due to individually mounted fixing plates made of high-quality stainless steel for hanging the L-shaped support rail
- including non-corrosive HEWI fixing material



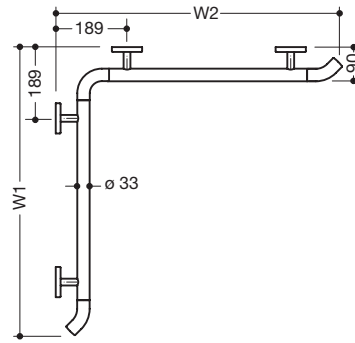
**\*Please note when using with removable hanging seats**

Compatibility check required. A detailed list of the possible combinations of support rails, L-shaped support rails and shower head rails with matching removable hanging seats can be found in our online catalogue in the download area of the respective product.



Item Number

Dimensions in mm / Specification



**HEWI Support grab rail | WARM TOUCH**

- made of chrome-look coated polyamide, warm to touch
- with 45° end bends facing to the wall on horizontal bars
- with continuous, corrosion resistant steel core
- 90 mm deep, rails ø 33 mm
- wall connection with filigree supports (ø 18 mm) perpendicular to wall and flat roses ø 80 mm, cap height 13 mm
- easy installation due to individually mounted fixing plates made of high-quality stainless steel for hanging the shower grab rail
- including non-corrosive HEWI fixing material

W1 = 762 mm, W2 = 762 mm\*

W1 = 720 mm, W2 = 440 mm\*

W1 = 800 mm, W2 = 560 mm\*

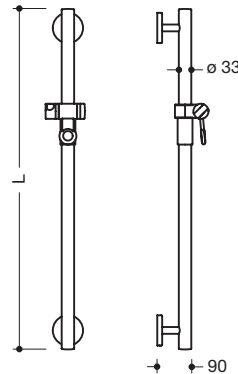


**950.35.11050**

**950.35.12050**

**950.35.13050**

WARM TOUCH



**HEWI Rail with shower head holder | WARM TOUCH**

- made of chrome-look coated polyamide, warm to touch
- with continuous, corrosion resistant steel core
- wall connection with filigree supports (ø 18 mm) perpendicular to wall and flat roses ø 80 mm, cap height 13 mm
- shower head holder adjustable to required angle and height
- conical adaptor on shower head holder facilitates accommodation of handspray, suitable for various manufacturers' shower heads
- shower head holder made of high-quality polyamide
- easy installation due to individually mounted fixing plates made of high-quality stainless steel for hanging the shower head rail
- 90 mm deep, rail ø 33 mm
- including non-corrosive HEWI fixing material



Shower head holder

Length	Shower head holder in HEWI colour 98 (signal white)	Shower head holder in HEWI colour 92 (anthracite grey)
L = 600 mm	<b>950.33.10051</b>	<b>950.33.10054</b>
L = 900 mm	<b>950.33.11051</b>	<b>950.33.11054</b>
L = 1100 mm	<b>950.33.12051</b>	<b>950.33.12054</b>

**HEWI Colours**

98 92

**801.50.011**

**63157**

**950.33.E019..**

**802.03.200, 802.03.210**

**950.33.E0...**

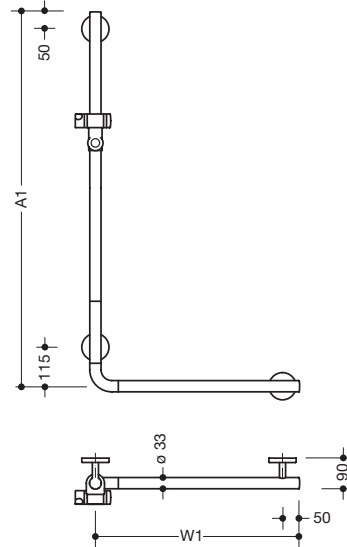
**HEWI Upgrade kit toilet roll holder** to be ordered separately page 131

**HEWI Rose cover for mobile solutions**

**HEWI Shower head holder**

**HEWI Storage box, corner shelf** see pages 309, 310

**HEWI Handspray, shower hose, -set** see Universal products



**HEWI L-shaped support rail with shower head holder | WARM TOUCH**

- made of chrome-look coated polyamide, warm to touch
- with continuous, corrosion resistant steel core
- wall connection with filigree supports (ø 18 mm) perpendicular to wall and flat roses ø 80 mm, cap height 13 mm
- 90 mm deep, rails ø 33 mm, can be mounted in left hand or right hand position
- shower head holder adjustable to required angle and height
- conical adapter on shower head holder facilitates accommodation of handspray, suitable for various manufacturers' shower heads
- shower head holder made of high-quality polyamide
- easy installation due to individually mounted fixing plates made of high-quality stainless steel for hanging the L-shaped support rail
- including non-corrosive HEWI fixing material

Length	Shower head holder in HEWI colour 98 (signal white)	Shower head holder in HEWI colour 92 (anthracite grey)
A1 = 900 mm W1 = 400 mm	<b>950.33.20051</b>	<b>950.33.20054</b>
A1 = 1100 mm W1 = 600 mm	<b>950.33.21051</b>	<b>950.33.21054</b>
A1 = 1100 mm W1 = 400 mm	<b>950.33.23051</b>	<b>950.33.23054</b>
A1 = 1250 mm W1 = 600 mm	<b>950.33.22051</b>	<b>950.33.22054</b>
A1 = 1250 mm W1 = 400 mm	<b>950.33.24051</b>	<b>950.33.24054</b>

**Please note when using with removable hanging seats**

Compatibility check required. A detailed list of the possible combinations of support rails, L-shaped support rails and shower head rails with matching removable hanging seats can be found in our online catalogue in the download area of the respective product.



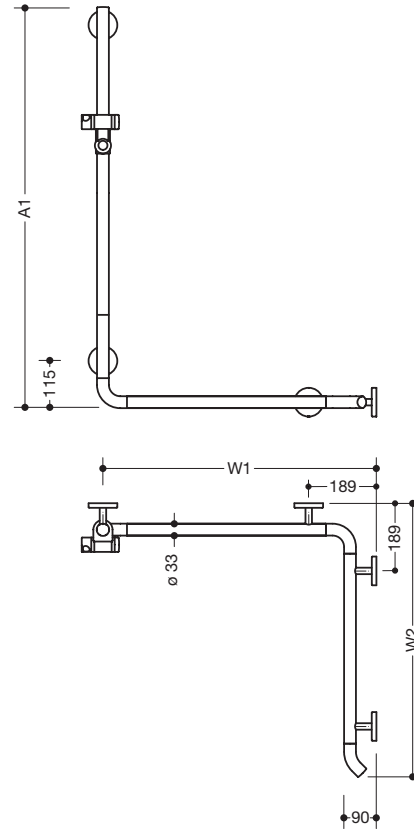
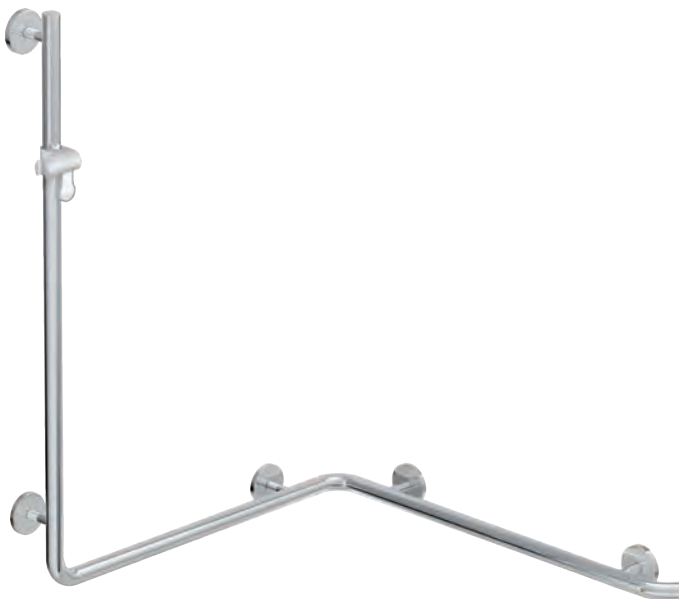
☑ ■ Shower head holder

- 63157
- 950.33.E019..
- 802.03.200
- 950.33.E03...
- 950.33.E05...
- 950.33.E07...

- HEWI Rose cover for mobile solutions**
- HEWI Shower head holder**
- HEWI Storage box** see page 309
- HEWI Handspray** see Universal products page 702
- HEWI Shower hose** see Universal products page 703
- HEWI Shower set** see Universal products page 704

Item Number

Dimensions in mm / Specification



WARM TOUCH

**HEWI Rail with vertical support bar and shower head holder | WARM TOUCH**

- made of chrome-look coated polyamide, warm to touch
- with 45° end bends facing to the wall on horizontal bar
- with continuous, corrosion resistant steel core
- shower head holder adjustable to required angle and height
- conical adapter on shower head holder facilitates accommodation of handspray, suitable for various manufacturers' shower heads
- 90 mm deep, rails  $\varnothing$  33 mm
- wall connection with filigree supports ( $\varnothing$  18 mm) perpendicular to wall and flat roses  $\varnothing$  80 mm, cap height 13 mm
- shower head holder made of high-quality polyamide
- easy installation due to individually mounted fixing plates made of high-quality stainless steel for hanging the shower grab rail
- can be mounted in left hand or right hand position
- including non-corrosive HEWI fixing material



☐ ■ Shower head holder

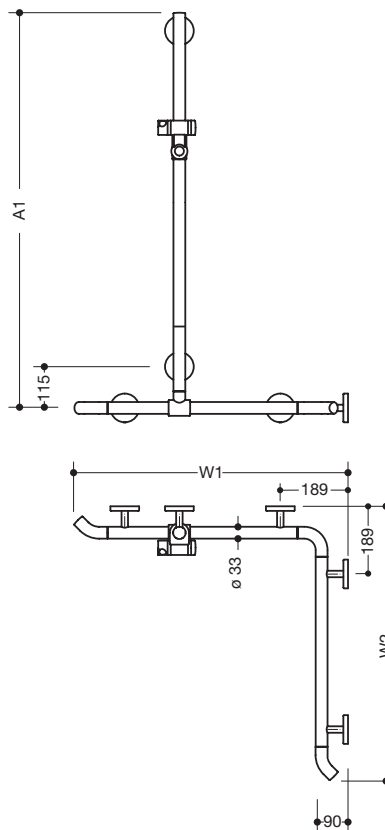
Length	Shower head holder in HEWI colour 98 (signal white)	Shower head holder in HEWI colour 92 (anthracite grey)
A1 = 1100 mm W1 = 762 mm W2 = 762 mm	<b>950.35.21051</b>	<b>950.35.21054</b>
A1 = 1250 mm W1 = 762 mm W2 = 762 mm	<b>950.35.22051</b>	<b>950.35.22054</b>
A1 = 1100 mm W1 = 762 mm W2 = 962 mm	<b>950.35.23051</b>	<b>950.35.23054</b>
A1 = 1250 mm W1 = 762 mm W2 = 962 mm	<b>950.35.24051</b>	<b>950.35.24054</b>

**HEWI Colours**

☐ ■  
98 92

**63157**  
**950.33.E019..**  
**802.03.200, 802.03.210**  
**950.33.E03...**  
**950.33.E05...**  
**950.33.E07...**

**HEWI Rose cover for mobile solutions**  
**HEWI Shower head holder**  
**HEWI Storage box, corner shelf** see pages 309, 310  
**HEWI Handspray** see Universal products page 702  
**HEWI Shower hose** see Universal products page 703  
**HEWI Shower set** see Universal products page 704



**HEWI Rail with vertical support bar and shower head holder | WARM TOUCH**

- made of chrome-look coated polyamide, warm to touch
- with 45° end bends facing to the wall on horizontal bar
- with continuous, corrosion resistant steel core
- with sideways adjustable vertical support bar (for installation) with shower head holder
- 90 mm deep, rails  $\varnothing$  33 mm
- wall connection with filigree supports ( $\varnothing$  18 mm) perpendicular to wall and flat roses  $\varnothing$  80 mm, cap height 13 mm
- shower head holder adjustable to required angle and height
- conical adapter on shower head holder facilitates accommodation of handspray, suitable for various manufacturers' shower heads
- shower head holder made of high-quality polyamide
- easy installation due to individually mounted fixing plates made of high-quality stainless steel for hanging the shower grab rail
- can be mounted in left hand or right hand position
- including non-corrosive HEWI fixing material



☑ ■ Shower head holder

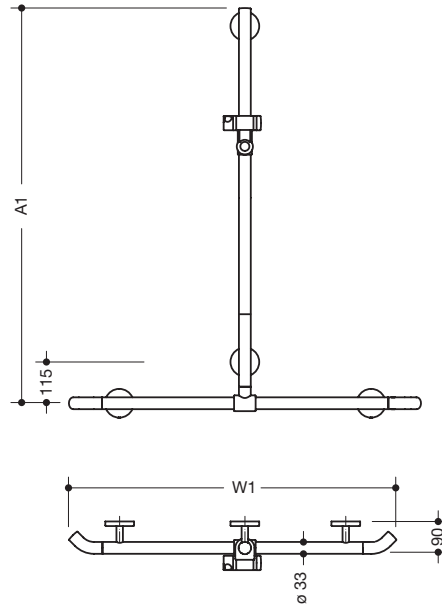
Length	Shower head holder in HEWI colour 98 (signal white)	Shower head holder in HEWI colour 92 (anthracite grey)
A1 = 1100 mm W1 = 762 mm W2 = 762 mm	<b>950.35.31051</b>	<b>950.35.31054</b>
A1 = 1250 mm W1 = 762 mm W2 = 762 mm	<b>950.35.32051</b>	<b>950.35.32054</b>
A1 = 1100 mm W1 = 962 mm W2 = 962 mm	<b>950.35.33051</b>	<b>950.35.33054</b>
A1 = 1250 mm W1 = 962 mm W2 = 962 mm	<b>950.35.34051</b>	<b>950.35.34054</b>

63157  
950.33.E019..  
802.03.200, 802.03.210  
950.33.E03...  
950.33.E05...  
950.33.E07...

**HEWI Rose cover for mobile solutions**  
**HEWI Shower head holder**  
**HEWI Storage box, corner shelf** see pages 309, 310  
**HEWI Handspray** see Universal products page 702  
**HEWI Shower hose** see Universal products page 703  
**HEWI Shower set** see Universal products page 704

Item Number

Dimensions in mm / Specification



**HEWI Rail with vertical support bar and shower head holder | WARM TOUCH**

- made of chrome-look coated polyamide, warm to touch
- with 45° end bends facing to the wall on horizontal bar
- with continuous, corrosion resistant steel core
- with sideways adjustable vertical support bar (for installation) with shower head holder
- 90 mm deep, rails ø 33 mm
- wall connection with filigree supports (ø 18 mm) perpendicular to wall and flat roses ø 80 mm, cap height 13 mm
- shower head holder adjustable to required angle and height
- conical adapter on shower head holder facilitates accommodation of handspray, suitable for various manufacturers' shower heads
- shower head holder made of high-quality polyamide
- easy installation due to individually mounted fixing plates made of high-quality stainless steel for hanging the shower grab rail
- can be mounted in left hand or right hand position
- including non-corrosive HEWI fixing material

WARM TOUCH



☑ ■ Shower head holder

Length	Shower head holder in HEWI colour 98 (signal white)	Shower head holder in HEWI colour 92 (anthracite grey)
A1 = 1100 mm W1 = 812 mm	<b>950.35.42051</b>	<b>950.35.42054</b>
A1 = 1100 mm W1 = 962 mm	<b>950.35.41051</b>	<b>950.35.41054</b>
A1 = 1100 mm W1 = 1184 mm	<b>950.35.43051</b>	<b>950.35.43054</b>
A1 = 1250 mm W1 = 812 mm	<b>950.35.45051</b>	<b>950.35.45054</b>
A1 = 1250 mm W1 = 962 mm	<b>950.35.44051</b>	<b>950.35.44054</b>
A1 = 1250 mm W1 = 1184 mm	<b>950.35.46051</b>	<b>950.35.46054</b>

**Please note when using with removable hanging seats**

Compatibility check required. A detailed list of the possible combinations of support rails, L-shaped support rails and shower head rails with matching removable hanging seats can be found in our online catalogue in the download area of the respective product.

**HEWI Colours**

☑ ■  
98 92

63157  
950.33.E019..  
802.03.200  
950.33.E03...  
950.33.E05...  
950.33.E07...

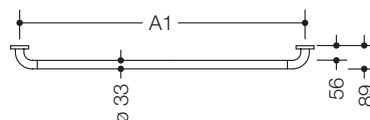
**HEWI Rose cover for mobile solutions**  
**HEWI Shower head holder**  
**HEWI Storage box** see page 309  
**HEWI Handspray** see Universal products page 702  
**HEWI Shower hose** see Universal products page 703  
**HEWI Shower set** see Universal products page 704

Item Number

Dimensions in mm / Specification



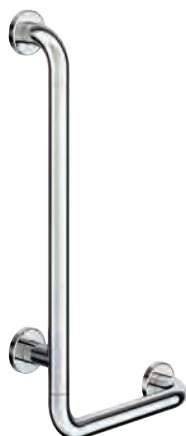
- 801.36.10050
- 801.36.11050
- 801.36.12050
- 801.36.13050
- 801.36.16050
- 801.36.14050
- 801.36.17050
- 801.36.15050



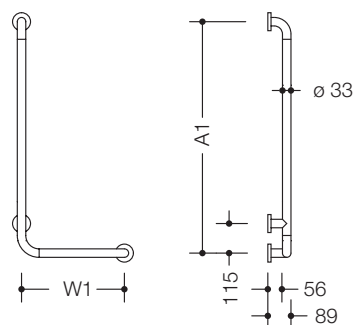
**HEWI Support rail | WARM TOUCH**

- made of chrome-look coated polyamide, warm to touch
- with continuous, corrosion resistant steel core
- for wall mounting with special HEWI fixing material and roses
- 89 mm deep, clear distance to the wall 56 mm
- rail  $\varnothing$  33 mm, roses  $\varnothing$  70 mm

- A1 = 300 mm
- A1 = 400 mm\*
- A1 = 500 mm\*
- A1 = 600 mm\*
- A1 = 800 mm\*
- A1 = 900 mm
- A1 = 1000 mm
- A1 = 1100 mm



- 801.22.10050
- 801.22.11050
- 801.22.13050
- 801.22.14050



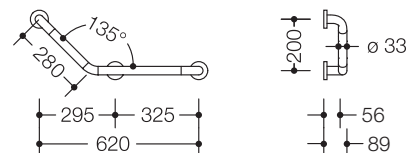
**HEWI L-shaped support rail | WARM TOUCH**

- made of chrome-look coated polyamide, warm to touch
- with continuous, corrosion resistant steel core and fixing roses made of steel, can be mounted in left hand or right hand position
- for wall mounting with special HEWI fixing material and roses
- rails  $\varnothing$  33 mm, roses  $\varnothing$  70 mm
- 89 mm deep, clear distance to the wall 56 mm
- upgrade kit toilet roll holder 801.50.010, 801.50.011 and upgrade kit WC flushing mechanism (radio-controlled) 801.50.060 can be retrofitted

- A1 = 600 mm, W1 = 300 mm
- A1 = 900 mm, W1 = 400 mm
- A1 = 750 mm, W1 = 500 mm, fulfils ÖNORM B 1600/1601
- A1 = 1000 mm, W1 = 500 mm, fulfils SIA 500



- 801.22.20050



**HEWI L-shaped support rail | WARM TOUCH**

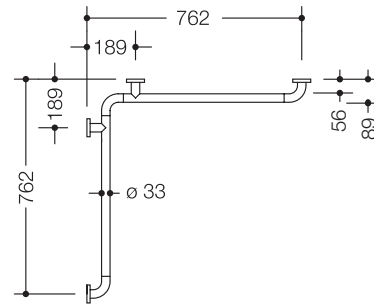
- made of chrome-look coated polyamide, warm to touch
- with continuous, corrosion resistant steel core and fixing roses made of steel, can be mounted in left hand or right hand position
- bars joined at a flat angle
- for wall mounting with special HEWI fixing material and roses, increased stability through 3 mounting supports
- 89 mm deep, clear distance to the wall 56 mm, c to c 325 mm, 295 mm, 200 mm, angle 135°, rails  $\varnothing$  33 mm, roses  $\varnothing$  70 mm
- upgrade kit toilet roll holder 801.50.010, 801.50.011 and upgrade kit WC flushing mechanism (radio-controlled) 801.50.060 can be retrofitted

**\*Please note when using with removable hanging seats**

Compatibility check required. A detailed list of the possible combinations of support rails, L-shaped support rails and shower head rails with matching removable hanging seats can be found in our online catalogue in the download area of the respective product.

Item Number

Dimensions in mm / Specification



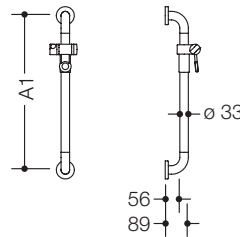
**801.35.11050**

**HEWI Support grab rail | WARM TOUCH**

- made of chrome-look coated polyamide, warm to touch
- with continuous, corrosion resistant steel core
- for wall mounting with special HEWI fixing material and roses
- horizontal lengths 762 mm each
- 89 mm deep, clear distance to the wall 56 mm
- rails  $\varnothing$  33 mm, roses  $\varnothing$  70 mm



WARM TOUCH



**HEWI Rail with shower head holder | WARM TOUCH**

- made of chrome-look coated polyamide, warm to touch
- with continuous, corrosion resistant steel core
- shower head holder adjustable to required angle and height
- conical adapter on shower head holder facilitates accommodation of handspray, suitable for various manufacturers' shower heads
- for wall mounting with special HEWI fixing material and roses
- 89 mm deep, clear distance to the wall 56 mm
- rail  $\varnothing$  33 mm, roses  $\varnothing$  70 mm

Length	Shower head holder in HEWI colour 98 (signal white)	Shower head holder in HEWI colour 92 (anthracite grey)
L = 600 mm	<b>801.33.10051</b>	<b>801.33.10054</b>
L = 900 mm	<b>801.33.11051</b>	<b>801.33.11054</b>
L = 1100 mm	<b>801.33.12051</b>	<b>801.33.12054</b>



Shower head holder

**HEWI Colours**

98  92

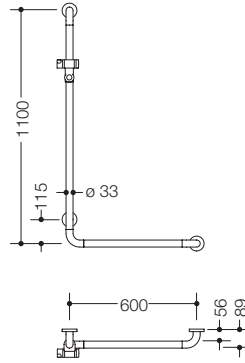
**950.33.E019..**  
**950.33.E03...**  
**950.33.E05...**  
**950.33.E07...**

**HEWI Shower head holder**

**HEWI Handspray** see Universal products page 702  
**HEWI Shower hose** see Universal products page 703  
**HEWI Shower set** see Universal products page 704

Item Number

Dimensions in mm / Specification



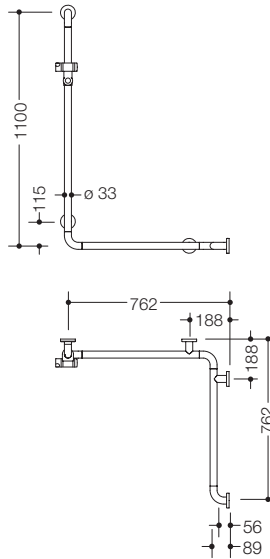
**HEWI L-shaped support rail with shower head holder | WARM TOUCH**

- made of chrome-look coated polyamide, warm to touch
- with continuous, corrosion resistant steel core
- shower head holder adjustable to required angle and height
- conical adapter on shower head holder facilitates accommodation of handspray, suitable for various manufacturers' shower heads
- for wall mounting with special HEWI fixing material and roses, can be mounted in left hand or right hand position
- vertical length 1100 mm, horizontal length 600 mm, 89 mm deep, clear distance to the wall 56 mm, rails ø 33 mm, roses ø 70 mm
- fulfils the requirements acc. to ÖNORM B1600/1601 and SIA 500
- shower head holder in HEWI colour 98 (signal white)
- shower head holder in HEWI colour 92 (anthracite grey)



☑ ■ Shower head holder

801.33.21051  
801.33.21054



**HEWI Rail with vertical support bar and shower head holder | WARM TOUCH**

- made of chrome-look coated polyamide, warm to touch
- with continuous, corrosion resistant steel core
- shower head holder adjustable to required angle and height
- conical adapter on shower head holder facilitates accommodation of handspray, suitable for various manufacturers' shower heads
- for wall mounting with special HEWI fixing material and roses, can be mounted in left hand or right hand position
- vertical length 1100 mm, horizontal lengths 762 mm each, 89 mm deep, clear distance to the wall 56 mm, rails ø 33 mm, roses ø 70 mm
- shower head holder in HEWI colour 98 (signal white)
- shower head holder in HEWI colour 92 (anthracite grey)



☑ ■ Shower head holder

801.35.21051  
801.35.21054

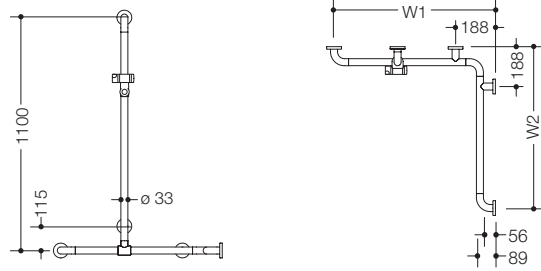
**Please note when using with removable hanging seats**

Compatibility check required. A detailed list of the possible combinations of support rails, L-shaped support rails and shower head rails with matching removable hanging seats can be found in our online catalogue in the download area of the respective product.



Item Number

Dimensions in mm / Specification



**HEWI Rail with vertical support bar and shower head holder | WARM TOUCH**

- made of chrome-look coated polyamide, warm to touch
- with continuous, corrosion resistant steel core
- shower head holder adjustable to required angle and height
- conical adapter on shower head holder facilitates accommodation of handspray, suitable for various manufacturers' shower heads
- for wall mounting with special HEWI fixing material and roses, can be mounted in left hand or right hand position
- vertical length 1100 mm, rails  $\varnothing$  33 mm, roses  $\varnothing$  70 mm
- 89 mm deep, clear distance to the wall 56 mm

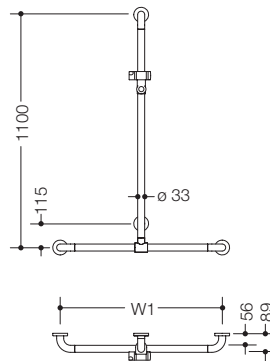
- W1/W2 = 762 mm, shower head holder in HEWI colour 98 (signal white)
- W1/W2 = 762 mm, shower head holder in HEWI colour 92 (anthr. grey)
- W1/W2 = 962 mm, shower head holder in HEWI colour 98 (signal white)
- W1/W2 = 962 mm, shower head holder in HEWI colour 92 (anthr. grey)



☑ ■ Shower head holder

**801.35.31051**  
**801.35.31054**  
**801.35.32051**  
**801.35.32054**

WARM TOUCH



**HEWI Rail with vertical support bar and shower head holder | WARM TOUCH**

- made of chrome-look coated polyamide, warm to touch
- with continuous, corrosion resistant steel core
- shower head holder adjustable to required angle and height
- conical adapter on shower head holder facilitates accommodation of handspray, suitable for various manufacturers' shower heads
- for wall mounting with special HEWI fixing material and roses, suitable for all HEWI removable hanging seats
- vertical length 1100 mm, rails  $\varnothing$  33 mm, roses  $\varnothing$  70 mm
- 89 mm deep, clear distance to the wall 56 mm



☑ ■ Holder

Length	Shower head holder in HEWI colour 98 (signal white)	Shower head holder in HEWI colour 92 (anthracite grey)
A1 = 1100 mm W1 = 762 mm	<b>801.35.42051</b>	<b>801.35.42054</b>
A1 = 1100 mm W1 = 962 mm	<b>801.35.41051</b>	<b>801.35.41054</b>
A1 = 1100 mm W1 = 1184 mm	<b>801.35.43051</b>	<b>801.35.43054</b>

**HEWI Colours**

☑ ■  
 98 92

**950.33.E019..**  
**802.03.200, 802.03.210**  
**950.33.E03...**  
**950.33.E05...**  
**950.33.E07...**

**HEWI Shower head holder**  
**HEWI Storage box, corner shelf** see pages 309, 310  
**HEWI Handspray** see Universal products page 702  
**HEWI Shower hose** see Universal products page 703  
**HEWI Shower set** see Universal products page 704

### PRODUCT CHARACTERISTICS

- The targeted use of coloured accents characterises System 800 K
- Coloured accentuation for the function elements signals the benefits
- Coloured contrasts are intended to be orientation aids, especially for people with dementia (refer to [www.hewi.com/washbasin-dementia](http://www.hewi.com/washbasin-dementia))
- White is the basic colour (signal white or pure white) of the plyamide system, the function elements can be designed in the HEWI colours 92 (anthracite grey) or 33 (ruby red)

### RECOMMENDED APPLICATION AREAS

Professional Care



# System 800 K

## DESIGN

Phoenix Design, Stuttgart/Munich/Shanghai

## MATERIAL AND SURFACES

Base elements made of polyamide optionally in HEWI colours 98 (signal white) or 99 (pure white), accent colour available in HEWI colour 92 (anthracite grey) or 33 (ruby red).

## ACCESSORIES

Product range	360 – 361
Basin area	365 – 368
Toilet area	369 – 370
Shower and bath area	371

## ACCESSIBILITY

Product range	362 – 363
Support	374 – 377
Grip	378 – 386



ACCESSORIES



**Holder**  
 800.00.10090 page 365



**Tumbler**  
 800.04.010 page 365



**Soap dispenser**  
 800.06.010 page 365



**Soap dispenser**  
 800.06.1009.. page 366  
  Holder  
  Push button



**Holder for soap dish**  
 800.02.10090 page 366



**Soap dish**  
 800.02.010 page 366



**Utility dish**  
 800.03.2009.. page 367  
  Holder  
    Shelf



**Hooks**  
 800.90.01090 page 367  
 800.90.02090 page 367



**Single hook**  
 800.90.0309.. page 368  
  Rose  
  Hook



**Double hook**  
 800.90.0409.. page 368  
  Rose  
  Hook



**Triple hook**  
 800.90.0509.. page 368  
  Rose  
  Hook



**Toilet roll holder**  
 800.21.11090 page 370



**Hygiene bag dispenser**  
 800.06.7509... page 370  
  Basic body  
    Ring insert



**Toilet brush unit**  
 800.20.2009.. page 369  
  Holder, brush handle  
    Brush container and grip



**Toilet brush**  
 800.20.0109.. page 369  
  Brush handle  
  Grip



**Shower basket**  
 800.03.3009... page 371  
  Holder  
    Shower basket

**MATCHING PRODUCTS**

System 800 K can be supplemented with the following products.



**New**  
Paper towel dispenser  
477.06...6019.. page 84



**New**  
Waste paper bin, 25 l  
477.05...2019.. page 85



**Shelf**  
477.03.100 page 87



**Mirror clip**  
477.01.100 page 89



**Adjustable mirror**  
801.01.100 page 91



**Towel rail**  
477.09.100 page 92



**Towel ring**  
477.09.300 page 92



**Walking aid holder**  
950.90.60090 page 92



**Spare roll holder**  
477.21.300 page 99



**Symbols**  
801.91... page 103



**New**  
Waste bin  
477.05.1029.. page 106



**Grab bar | Bath towel rail**  
477.30.110 | 570 mm page 109  
477.31.110 | 250 mm page 110



**Shower curtain rail**  
801.34.4... page 118



**Shower curtain rail**  
801.34.1... from page 112



**Shower curtain rail**  
801.34.3... page 116, 117

ACCESSIBILITY



**Hinged support rail Mono**  
 950.50.11... page 374

- Cover
- Rail



**Hinged support rail Duo**  
 950.50.1... page 374

- Cover, bottom rail
- Top rail



**Hinged support rail Mono, mobile**  
 950.50.11... page 375

- Cover
- Rail



**Hinged support rail Duo, mobile**  
 950.50.1... page 375

- Cover, bottom rail
- Top rail



**Support rail**  
 950.36.1..9.. page 378

- Roses, supports
- Rail



**Support rail**  
 950.36.3309.. page 379

- Roses, supports
- Rail



**L-shaped support rail**  
 950.22.2009.. page 379

- Roses, supports
- Rail



**L-shaped support rail**  
 950.22.1..9.. page 380

- Roses, supports
- Rails



**Support grab rail**  
 950.35.1..9.. page 381

- Roses, supports
- Rails



**Rail with shower head holder**  
 950.33.1..9.. page 382

- Roses, supports, shower head h.
- Rail



**L-shaped support rail with shower head holder**  
 950.33.2..9.. page 383

- Roses, supports, shower head h.
- Rails



**Shower grab rail with vertical support bar and shower head holder**  
 950.35.21.9.. page 384

- Roses, supports, shower head holder
- Rails



**Shower grab rail with sideways adjustable vertical support bar and shower head holder**  
 950.35.3..9.. page 385

- Roses, supports, shower head holder
- Rails



**Shower grab rail with sideways adjustable vertical support bar and shower head holder**  
 950.35.4..9.. page 386

- Roses, supports, shower head holder
- Rails

**MATCHING PRODUCTS**

System 800 K can be supplemented with the following products.



**Hinged seat R 380**  
950.51.22... page 528  
950.51.42... | mobile page 528



**Hinged seat 350**  
950.51.20... page 526  
950.51.40... | mobile page 526



**Hinged seat 450**  
950.51.21... page 527  
950.51.41... | mobile page 527



**Backrest**  
950.51.02090 page 529



**Removable hanging seat**  
950.51.11.. page 532



**Removable hanging seat**  
950.51.10.. page 532



**Shower stool**  
950.51.300... page 523



**Shower stool**  
950.51.30140 page 524



**Shower stool**  
950.51.30240 page 524



**Bath chair**  
950.51.31040 page 525



**Bath chair**  
950.51.31140 page 525



**Fittings** from page 569



**Washbasins** from page 589



**Universal products** from page 691



**Shower curtains** from page 723

# System 800 K Accessories



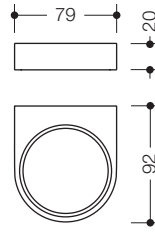


Item Number

Dimensions in mm / Specification



**800.00.10090**



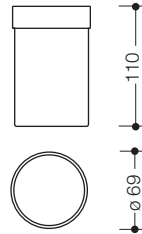
**HEWI Holder**

- for tumbler 800.04.010 and soap dispenser 800.06.010
- for wall mounting, concealed fixing
- 79 mm wide, 20 mm high and 92 mm deep
- made of high-quality polyamide in HEWI colours 98 (signal white) or 99 (pure white)
- including non-corrosive HEWI fixing material

☑ ☐



**800.04.010**



**HEWI Tumbler**

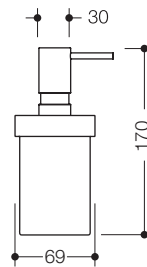
- cylindrical tumbler with flat bottom
- suitable for holder 800.00.10090
- ø 69 mm, 110 mm high
- made of high-quality polyamide

☑ ☐ ■ ■

Please advise colour when ordering.



**800.06.010**



**HEWI Soap dispenser**

- with pump made of metal, high-quality chrome-plated
- suitable for holder 800.00.10090
- made of high-quality polyamide
- upper ø 69 mm, 170 mm high incl. pump
- capacity approx. 200 ml

Please advise colour when ordering.

■ Pump head  
☑ ☐ ■ ■

**800.06.E02**  
**100.03.E02**

**HEWI Container for soap dispenser**  
**HEWI Pump head**

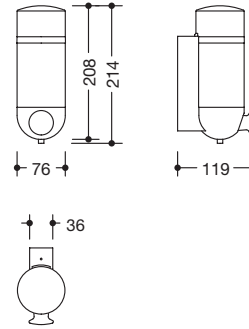
**HEWI Colours | Surfaces**

☑ ☐ ■ ■ ■  
98 99 92 33 Chr

More Range 477 accessories can be found on page 361 or in register Range 477/801 from page 74  
Detailed information about the spare parts can be found here:  
[www.hewi.com/en/spare-parts](http://www.hewi.com/en/spare-parts)

Item Number

Dimensions in mm / Specification



**HEWI Soap dispenser**

- soap dosage control by means of push-button on front (allows one-hand operation)
- concealed screw fitting to prevent unauthorised removal
- lockable container lid
- wall-mounted base to conceal drill holes to be ordered separately (see below)
- 76 mm wide, 214 mm high, 119 mm deep, container ø 75 mm
- container and lid made of opaque white transparent synthetic material
- capacity 500 ml, not suitable for disinfectant
- made of high-quality polyamide

**800.06.10091**

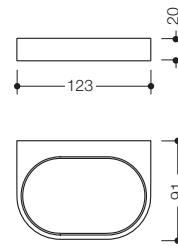
- holder in HEWI colour 98 (signal white)
- push-button in HEWI colours 92 (anthracite grey) and 33 (ruby red)

**800.06.10099**

- holder in HEWI colour 99 (pure white)
- push-button in HEWI colours 92 (anthracite grey) and 33 (ruby red)

- Holder
- Push button

**Please note:** Please advise colour when ordering.

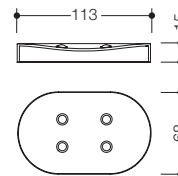


**800.02.10090**

**HEWI Holder**

- for soap dish 800.02.010
- for wall mounting, concealed fixing
- 123 mm wide, 20 mm high, 91 mm deep
- made of high-quality polyamide in HEWI colours 98 (signal white) and 99 (pure white)
- including non-corrosive HEWI fixing material

- 



**800.02.010**

**HEWI Soap dish**

- suitable for holder 800.02.10090
- rotatable soap dish, can sit flush or be used as a small storage dish
- 113 mm wide, 15 mm high, 68 mm deep
- made of high-quality polyamide

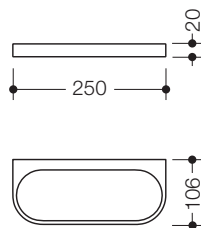
- 
- 
- 
- 

**477.06.E04  
66182**

**HEWI Wall-mounted base for soap dispenser  
HEWI Pump unit for soap dispenser**

Item Number

Dimensions in mm / Specification



**HEWI Utility dish**

- the insert is rotatable and can be mounted flush with the bracket or can be used as a storage dish
- for wall mounting, concealed fixing
- 250 mm wide, 20 mm high, 106 mm deep, made of high-quality polyamide
- including non-corrosive HEWI fixing material
- holder and shelf in HEWI colours 98 (signal white) or 99 (pure white)
- holder in HEWI colour 98 (signal white)
- shelf in HEWI colours 92 (anthracite grey) and 33 (ruby red)
- holder in HEWI colour 99 (pure white)
- shelf in HEWI colours 92 (anthracite grey) and 33 (ruby red)

**800.03.20090**

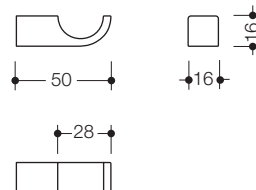
**800.03.20091**

**800.03.20099**

**60169**

☑  Holder  
☑     Shelf

**HEWI Insert utility dish**

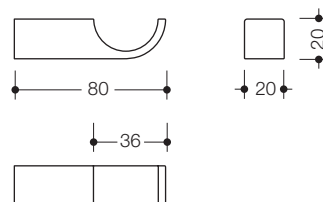


**HEWI Hook**

- for wall mounting, concealed fixing
  - 50 mm deep
  - made of high-quality polyamide
  - including non-corrosive HEWI fixing material
- Please advise colour when ordering.

**800.90.01090**

☑



**HEWI Hook**

- for wall mounting, concealed fixing
  - 80 mm deep
  - made of high-quality polyamide
  - including non-corrosive HEWI fixing material
- Please advise colour when ordering.

**800.90.02090**

☑

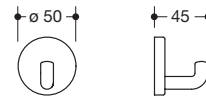
**HEWI Colours**

☑  98  99  92  33

More Range 477 accessories can be found on page 361 or in register Range 477/801 from page 74  
Detailed information about the spare parts can be found here: [www.hewi.com/en/spare-parts](http://www.hewi.com/en/spare-parts)

Item Number

Dimensions in mm / Specification



800.90.03091

**HEWI Single hook**

- concealed screw fitting to prevent unauthorised removal
- 45 mm deep, rose  $\varnothing$  50 mm, made of high-quality polyamide
- rose cap in HEWI colour 98 (signal white)
- hook part in HEWI colours 92 (anthracite grey) and 33 (ruby red)
- rose cap in HEWI colour 99 (pure white)
- hook part in HEWI colours 92 (anthracite grey) and 33 (ruby red)

Please advise colour when ordering. Supplied without screws and plugs.

Rose  
  Hooks



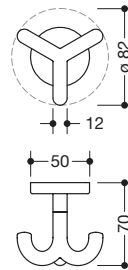
800.90.04091

**HEWI Double hook**

- concealed screw fitting to prevent unauthorised removal
- 44 mm deep, rose  $\varnothing$  50 mm, made of high-quality polyamide
- rose cap in HEWI colour 98 (signal white)
- hook part in HEWI colours 92 (anthracite grey) and 33 (ruby red)
- rose cap in HEWI colour 99 (pure white)
- hook part in HEWI colours 92 (anthracite grey) and 33 (ruby red)

Please advise colour when ordering. Supplied without screws and plugs.

Rose  
  Hooks



800.90.05091

**HEWI Triple hook**

- rotatable hook with rose fixing
- for screw-mounting from below with 4 mm countersunk screw
- for through-mounting from above with M4 threaded screws and square-head nuts
- 70 mm high, rose  $\varnothing$  50 mm, made of high-quality polyamide
- rose cap in HEWI colour 98 (signal white)
- hook part in HEWI colours 92 (anthracite grey) and 33 (ruby red)
- rose cap in HEWI colour 99 (pure white)
- hook part in HEWI colours 92 (anthracite grey) and 33 (ruby red)

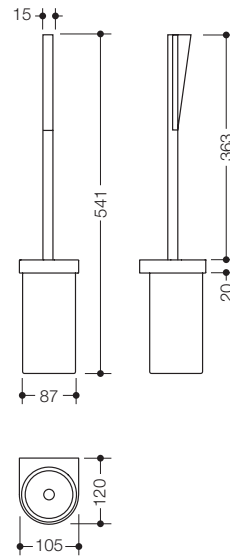
Please advise colour when ordering. Supplied without screws and plugs.

Rose  
  Hooks

More Range 477 accessories can be found on page 361  
 or in register Range 477/801 from page 74  
 Detailed information about the spare parts can be found here:  
[www.hewi.com/en/spare-parts](http://www.hewi.com/en/spare-parts)

Item Number

Dimensions in mm / Specification



**HEWI Toilet brush unit (accessibility)**

- long brush handle with ergonomic grip for easy use
- brush head can be replaced due to bayonet fixing
- for wall mounting, concealed fixing made of high-quality polyamide
- 105 mm wide, 541 mm high, 120 mm deep
- brush head made of black polyamide with anthracite grey bristles
- including non-corrosive HEWI fixing material

**800.20.20090**

- holder, cylindrical brush container and brush handle in HEWI colours 98 (signal white) or 99 (pure white)
- grip in black

**800.20.20091**

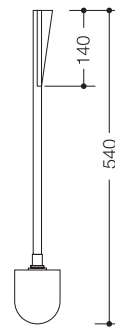
- holder and brush handle in HEWI colour 98 (signal white)
- cylindrical brush container and grip in HEWI colours 92 (anthracite grey) and 33 (ruby red)

**800.20.20099**

- holder and brush handle in HEWI colour 99 (pure white)
- cylindrical brush container and grip in HEWI colours 92 (anthracite grey) and 33 (ruby red)

- Holder and brush handle
- Grip
- Brush container

System 800 K



**HEWI Toilet brush (accessibility)**

- long brush handle with ergonomic grip for easy use
- brush head made of black polyamide, ø 76 mm, anthracite grey bristles
- brush head easily replaceable by bayonet fixing
- 540 mm long, grip 140 mm long, made of high-quality polyamide

**800.20.01090**

- brush handle in HEWI colours 98 (signal white) or 99 (pure white)
- grip in black

**800.20.01091**

- brush handle in HEWI colour 98 (signal white)
- grip in HEWI colours 92 (anthracite grey) and 33 (ruby red)

**800.20.01099**

- brush handle in HEWI colour 99 (pure white)
- grip in HEWI colours 92 (anthracite grey) and 33 (ruby red)

- Brush handle
- Grip

**HEWI Colours**

- 98
- 99
- 90
- 92
- 33

**800.20.E02**

**921050**

**921051**

**921052**

**HEWI Brush container**

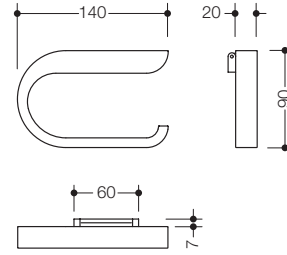
**HEWI Brush head, packing unit 1**

**HEWI Brush head, packing unit 5**

**HEWI Brush head, packing unit 25**

Item Number

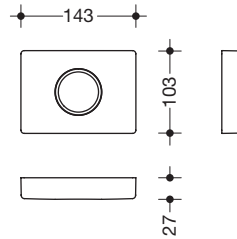
Dimensions in mm / Specification



**800.21.11090**

**HEWI Toilet roll holder, hinged**

- for wall mounting, concealed fixing
- 140 mm wide, 90 mm high and 27 mm deep
- made of high-quality polyamide in HEWI colours 98 (signal white) or 99 (pure white)
- including non-corrosive HEWI fixing material



**800.06.75090**

**HEWI Hygiene bag dispenser**

- used to hold and remove proprietary hygiene bags made of plastic
- 143 mm wide, 103 mm high and 27 mm deep
- made of high-quality polyamide
- for wall mounting, including non-corrosive HEWI fixing material

**800.06.75091**

- basic body in HEWI colour 98 (signal white)
- ring insert in HEWI colours 92 (anthracite grey) and 33 (ruby red)

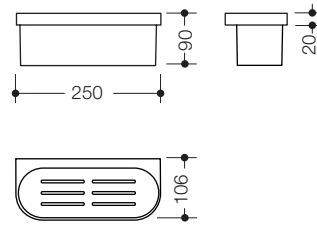
**800.06.75099**

- basic body in HEWI colour 99 (pure white)
- ring insert in HEWI colours 92 (anthracite grey) and 33 (ruby red)

- ☑ □ Basic body
- ☑ □ ■ ■ Ring insert

Item Number

Dimensions in mm / Specification



**HEWI Shower basket**

- for wall mounting, concealed fixing
- 250 mm wide, 90 mm high, 106 mm deep
- made of high-quality polyamide
- including non-corrosive HEWI fixing material

**800.03.30090**

- holder and shower basket in HEWI colours 98 (signal white) and 99 (pure white)

**800.03.30091**

- holder in HEWI colour 98 (signal white)
- shower basket in HEWI colours 92 (anthracite grey) and 33 (ruby red)

**800.03.30099**

- holder in HEWI colour 99 (pure white)
- shower basket in HEWI colours 92 (anthracite grey) and 33 (ruby red)

- Holder
- Shower basket

**800.03.010**

**HEWI Shower basket**

**HEWI Colours**

- 
- 98 99 92 33

More Range 477 accessories can be found on page 361  
 or in register Range 477/801 from page 74  
 Detailed information about the spare parts can be found here:  
[www.hewi.com/en/spare-parts](http://www.hewi.com/en/spare-parts)

# System 800 K Accessibility







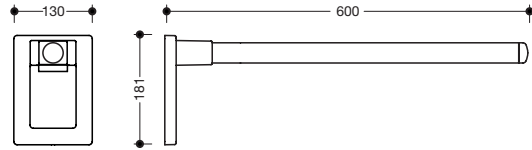
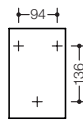
System 800 K

Item Number

Dimensions in mm / Specification



Drill hole



**HEWI Hinged support rail Mono**

- loading capacity according to DIN 18040 up to 100 kg
- can be folded upwards and, with friction device, downwards
- with continuous, corrosion resistant steel core
- integrated wall mounting plate made of steel with high-quality polyamide
- wall plate 181 mm high and 130 mm wide
- rail ø 33 mm, projection 600 mm
- stable three-point fixing
- for wall mounting with non-corrosive and tested HEWI fixing material for different wall constructions (to be ordered separately)
- made of high-quality polyamide
- sealing tape for sealing the fixing points included in delivery
- in HEWI colours 98 (signal white) or 99 (pure white)
- cover of wall plate in HEWI colour 98 (signal white)
- rail in HEWI colours 92 (anthracite grey) and 33 (ruby red)
- cover of wall plate in HEWI colour 99 (pure white)
- rail in HEWI colours 92 (anthracite grey) and 33 (ruby red)

**950.50.11090**

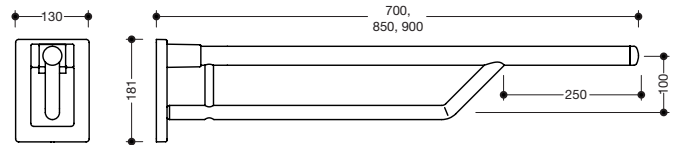
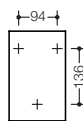
**950.50.11091**

**950.50.11099**

- Cover
- Rail



Drill hole



**HEWI Hinged support rail Duo**

- bottom rail is merged with the top rail at an angle of 135°
- loading capacity according to DIN 18040 up to 100 kg
- can be folded upwards and, with friction device, downwards
- with continuous, corrosion resistant steel core
- integrated wall mounting plate made of steel with high-quality polyamide
- wall plate 181 mm high and 130 mm wide
- top rail ø 33 mm, bottom rail ø 25 mm
- stable three-point fixing
- for wall mounting with non-corrosive and tested HEWI fixing material for different wall constructions (to be ordered separately)
- made of high-quality polyamide
- sealing tape for sealing the fixing points included in delivery
- in HEWI colour 98 (signal white)
- top rail in HEWI colours 92 (anthracite grey) and 33 (ruby red)
- in HEWI colour 99 (pure white)
- top rail in HEWI colours 92 (anthracite grey) and 33 (ruby red)

Projection	· in HEWI colours 98 (signal white) or 99 (pure white)	· in HEWI colour 98 (signal white) · top rail in HEWI colours 92 (anthracite grey) and 33 (ruby red)	· in HEWI colour 99 (pure white) · top rail in HEWI colours 92 (anthracite grey) and 33 (ruby red)
700 mm	<b>950.50.12090</b>	<b>950.50.12091</b>	<b>950.50.12099</b>
850 mm	<b>950.50.13090</b>	<b>950.50.13091</b>	<b>950.50.13099</b>
900 mm	<b>950.50.14090</b>	<b>950.50.14091</b>	<b>950.50.14099</b>

- Cover, bottom rail
- Top rail

**HEWI Fixing material BM10.4 to BM18.4 to be ordered separately** page 739

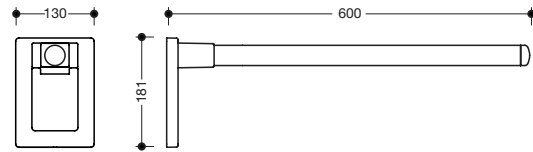
**HEWI Upgrade products for hinged support rails to be ordered separately**  
pages 376, 377

Item Number

Dimensions in mm / Specification



Drill hole



**HEWI Mobile hinged support rail Mono**

- for easy and flexible retrofitting on pre-assembled mounting plate 950.50.014XA (to be ordered separately)
- loading capacity according to DIN 18040 up to 100 kg
- can be folded upwards and, with friction device, downwards
- with continuous, corrosion resistant steel core and integrated wall mounting plate made of steel with high-quality polyamide
- wall plate 181 mm high and 130 mm wide
- rail ø 33 mm, projection 600 mm
- tool-free and quick installation by means of short, simple hanging
- secured against unintentional removal
- unlocking for flexible use by spring actuation
- made of high-quality polyamide

**950.50.11190**

- in HEWI colours 98 (signal white) or 99 (pure white)

**950.50.11191**

- cover of wall plate in HEWI colour 98 (signal white)
- rail in HEWI colours 92 (anthracite grey) and 33 (ruby red)

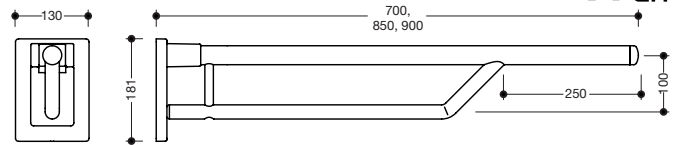
**950.50.11199**

- cover of wall plate in HEWI colour 99 (pure white)
- rail in HEWI colours 92 (anthracite grey) and 33 (ruby red)

- Cover
- Rail



Drill hole



**HEWI Mobile hinged support rail Duo**

- for easy and flexible retrofitting on pre-assembled mounting plate 950.50.014XA (to be ordered separately)
- with two gripping levels arranged above each other
- bottom rail is merged with the top rail at an angle of 135°
- loading capacity according to DIN 18040 up to 100 kg
- can be folded upwards and, with friction device, downwards
- with continuous, corrosion resistant steel core and integrated wall mounting plate made of steel with high-quality polyamide
- wall plate 181 mm high and 130 mm wide
- top rail ø 33 mm, bottom rail ø 25 mm
- tool-free and quick installation by means of short, simple hanging
- secured against unintentional removal
- unlocking for flexible use by spring actuation

	· in HEWI colours 98 (signal white) or 99 (pure white)	· in HEWI colour 98 (signal white) · top rail in HEWI colours 92 (anthracite grey) and 33 (ruby red)	· in HEWI colour 99 (pure white) · top rail in HEWI colours 92 (anthracite grey) and 33 (ruby red)
<b>projection</b>			
700 mm	<b>950.50.12190</b>	<b>950.50.12191</b>	<b>950.50.12199</b>
850 mm	<b>950.50.13190</b>	<b>950.50.13191</b>	<b>950.50.13199</b>

- Cover, bottom rail
- Top rail

Ordering aid can be found in our online catalogue directly at the product.

**HEWI Colours**

- 
- 98 99 92 33

**HEWI Fixing material BM10.2 to BM18.2 to be ordered separately** page 738

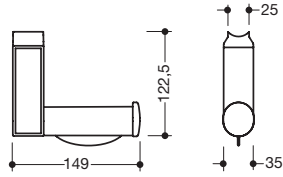
**HEWI Upgrade products for hinged support rails to be ordered separately** pages 376, 377

Item Number

Dimensions in mm / Specification



950.50.01090



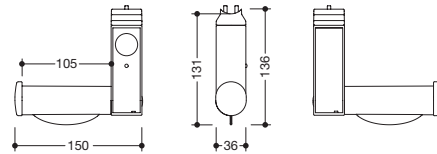
**HEWI Upgrade kit toilet roll holder**

- for retrofitting on hinged support rails 950.50.1... and stationary support rails 950.50.3...
- integrated roll brake
- 35 mm wide, 122,5 mm high, 149 mm deep
- made of high-quality polyamide

Please advise colour when ordering.



**New** 950.50.07090  
**New** 950.50.07190



**HEWI Upgrade kit toilet roll holder and WC flushing mechanism (radio-controlled)**

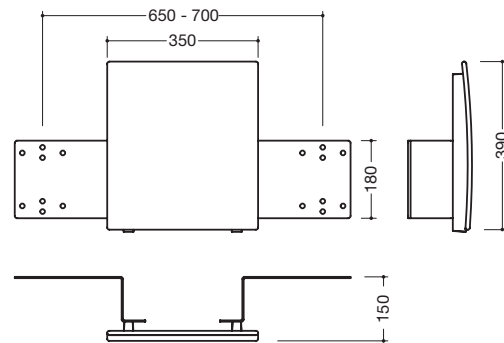
- for retrofitting on hinged support rails 950.50.1..
- blue button for triggering the WC flush mechanism
- easy installation, integrated roll brake
- 36 mm wide, 131 mm high, 150 mm deep
- transmission frequency 868,4 MHz
- suitable for radio-controlled WC flushing systems of Geberit, Mepa, Viega, Sanit, Friatec, TECE and Grohe
- made of high-quality polyamide in HEWI colours 98 (signal white), 99 (pure white), 92 (anthracite grey) and 33 (ruby red)

right handed version  
left handed version

Left resp. right version from users point of view.  
Please advise colour when ordering.



950.51.90090



**HEWI Backrest rail**

- backrest with right-angled mounting bar on each side
- serves as back support for toilet users
- fulfils the requirements acc. to DIN 18040 and ÖNORM B 1600/1601
- mounting with hinged support rails or stationary support rails 950.50...
- c to c from 650 to 700 mm adjustable on site, 150 mm deep
- backrest 350 mm wide, 390 mm high
- backrest made of glass fibre reinforced polyamide
- mounting bar made of metal, powder-coated
- available in HEWI colours 98 (signal white) and 92 (anthracite grey)

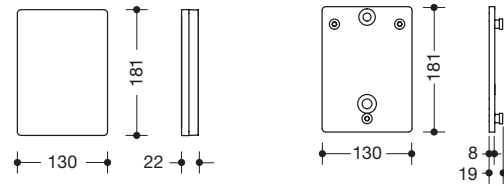
Please advise colour when ordering.

Can be combined with all mobile hinged support rails.

Ordering aid can be found in our online catalogue directly at the product.

Item Number

Dimensions in mm / Specification



950.50.10090

**HEWI Mounting plate with cover**

- 130 mm wide, 181 mm high, 22 mm deep
- mounting plate made of stainless steel
- for wall-mounting with non-corrosive and tested HEWI fixing material for different wall constructions (to be ordered separately)
- sealing tape for sealing the fixing points included in delivery
- cover made of high-quality synthetic material in HEWI colours 98 (signal white) or 99 (pure white)

**Fixing material** to be ordered separately page 738

950.50.014XA

**HEWI Mounting plate**

- 130 mm wide, 181 mm high, 19 mm deep, made of stainless steel, satin finished
- for wall-mounting with non-corrosive and tested HEWI fixing material for different wall constructions (to be ordered separately)
- sealing tape for sealing the fixing points included in delivery

950.50.01590

**HEWI Cover for mounting plate**

- for cover of the mounting plate by simple replacement
- 130 mm wide, 181 mm high, 14 mm deep
- cover made of high-quality synthetic material in HEWI colours 98 (signal white) or 99 (pure white)

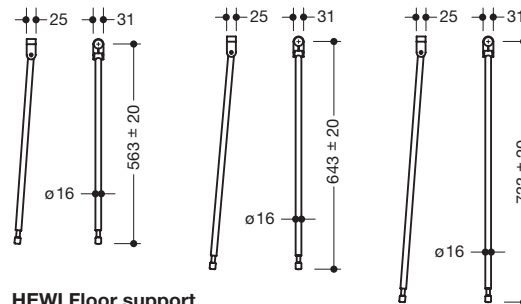
- Mounting plate
- Cover

950.50.013



**HEWI Protection and storage bag**

- for storing the mobile hinged support rails 950.50...
- made of high-quality, tear-resistant white synthetic material sheeting
- high-quality fleece lining on the inside to protect the surfaces of the hinged support rails
- 1035 mm high, 335 mm wide
- with pull-cord for closing



**HEWI Floor support**

- for retrofitting on hinged support rails Duo 950.50....
- height adjustment possible within range of  $\pm 20$  mm
- connection made of high-quality polyamide in HEWI colours 98 (signal white), 99 (pure white), 92 (anthracite grey) or 90 (jet black)
- support made of high-quality stainless steel, satin finished

950.50.026XA

- vertical length 563 mm, for mounting height 680 mm

950.50.020XA

- fulfils height adjustment requirements according to DIN 18040
- vertical length 643 mm, for mounting height 760 mm

950.50.025XA

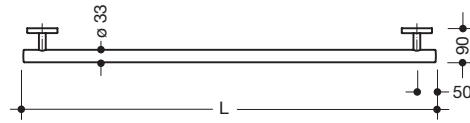
- fulfils height adjustment requirements according to ÖNORM B 1600/1601
- vertical length 733 mm, for mounting height 850 mm

- Floor support
- Connection

**HEWI Colours | Surfaces**

- 98  99  92  90  33  XA

System 800 K



**HEWI Support rail**

- with continuous, corrosion resistant steel core
- 90 mm deep, rail ø 33 mm
- wall connection with filigree supports (ø 18 mm) perpendicular to wall and flat roses ø 80 mm, cap height 13 mm
- easy installation due to individually mounted fixing plates made of high-quality stainless steel for hanging the support rail
- made of high-quality polyamide
- including non-corrosive HEWI fixing material

Projection	in HEWI colours 98 (signal white) or 99 (pure white)	rail in HEWI colours 92 (anthracite grey) and 33 (ruby red) · supports and roses in HEWI colour 98 (signal white)	rail in HEWI colours 92 (anthracite grey) and 33 (ruby red) · supports and roses in HEWI colour 99 (pure white)
L = 300 mm	<b>950.36.10090</b>	<b>950.36.10091</b>	<b>950.36.10099</b>
L = 400 mm	<b>950.36.11090</b>	<b>950.36.11091</b>	<b>950.36.11099</b>
L = 600 mm	<b>950.36.13090</b>	<b>950.36.13091</b>	<b>950.36.13099</b>
L = 900 mm	<b>950.36.14090</b>	<b>950.36.14091</b>	<b>950.36.14099</b>
L = min. 220 mm - max. 1100 mm, please advise length L when ordering	<b>950.36.1S90*</b>	<b>950.36.1S91*</b>	<b>950.36.1S99*</b>

**Please note when using with removable hanging seats**

Compatibility check required. A detailed list of the possible combinations of support rails, L-shaped support rails and shower head rails with matching removable hanging seats can be found in our online catalogue in the download area of the respective product.

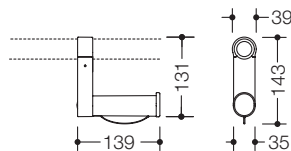
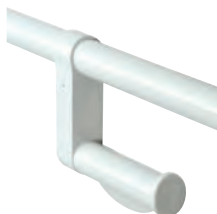
\*From an external dimension of 951 mm, the support rail has a centrally positioned, additional wall mounting.

Please advise colour when ordering.

- Roses, supports
- Rail

**801.50.011**  
**63086**

**HEWI Upgrade kit toilet roll holder** see below  
**HEWI Rose cover for mobile solutions**



**801.50.011**

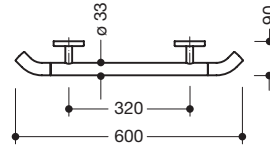
**HEWI Upgrade kit toilet roll holder**

- right angle-shaped toilet roll holder
- with integrated soft, flexible roll brake to accommodate standard toilet rolls
- for simple installation and for retrofitting with HEWI rail system ø 33 mm and hinged support rails Range 801
- 39 mm wide, 143 mm high, 139 mm deep
- made of high-quality polyamide

-

Item Number

Dimensions in mm / Specification



**HEWI Support rail**

- with continuous, corrosion resistant steel core
- with 45° end bends facing to the wall
- length 600 mm, rails  $\varnothing$  33 mm, 90 mm deep
- wall connection with filigree supports ( $\varnothing$  18 mm) perpendicular to wall and flat roses  $\varnothing$  80 mm, cap height 13 mm
- easy installation due to individually mounted fixing plates made of high-quality stainless steel for hanging the support rails
- made of high-quality polyamide
- including non-corrosive HEWI fixing material

**950.36.33090**

**950.36.33091**

**950.36.33099**

· in HEWI colours 98 (signal white) or 99 (pure white)

· support rail in HEWI colours 92 (anthracite grey) and 33 (ruby red)  
· supports and roses in HEWI colour 98 (signal white)

· support rail in HEWI colours 92 (anthracite grey) and 33 (ruby red)  
· supports and roses in HEWI colour 99 (pure white)

**Please note when using with removable hanging seats**

Compatibility check required. A detailed list of the possible combinations of support rails, L-shaped support rails and shower head rails with matching removable hanging seats can be found in our online catalogue in the download area of the respective product.

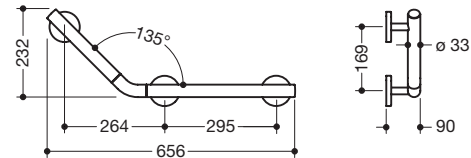
Please advise colour when ordering.

- Roses, supports
- Rail

**801.50.011**  
**63086**

**HEWI Upgrade kit toilet roll holder** see left  
**HEWI Rose cover for mobile solutions**

System 800 K



**HEWI L-shaped support rail**

- with continuous, corrosion resistant steel core
- can be mounted in left hand or right hand position
- increased stability through 3 mounting supports
- c to c 264 mm, 345 mm and 169 mm, angle 135°
- 90 mm deep, rails  $\varnothing$  33 mm
- wall connection with filigree supports ( $\varnothing$  18 mm) perpendicular to wall and flat roses  $\varnothing$  80 mm, cap height 13 mm
- easy installation due to individually mounted fixing plates made of high-quality stainless steel for hanging the L-shaped support rail
- made of high-quality polyamide
- including non-corrosive HEWI fixing material

**950.22.20090**

**950.22.20091**

**950.22.20099**

· in HEWI colours 98 (signal white) or 99 (pure white)

· L-shaped support rail in HEWI colours 92 (anthracite grey) and 33 (ruby red)  
· supports and roses in HEWI colour 98 (signal white)

· L-shaped support rail in HEWI colours 92 (anthracite grey) and 33 (ruby red)  
· supports and roses in HEWI colour 99 (pure white)

Please advise colour when ordering.

- Roses, supports
- Rails

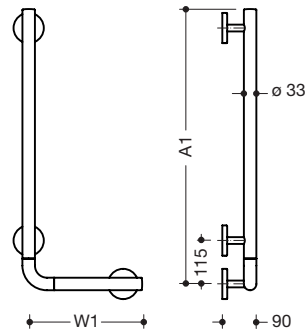
**801.50.011**  
**63086**

**HEWI Upgrade kit toilet roll holder** see left  
**HEWI Rose cover for mobile solutions**

**HEWI Colours**

- 
- 98 99 92 33

Detailed information about the spare parts can be found here:  
[www.hewi.com/en/spare-parts](http://www.hewi.com/en/spare-parts)



**HEWI L-shaped support rail**

- with continuous, corrosion resistant steel core
- can be mounted in left hand or right hand position
- 90 mm deep, rails ø 33 mm
- wall connection with filigree supports (ø 18 mm) perpendicular to wall and flat roses ø 80 mm, cap height 13 mm
- easy installation due to individually mounted fixing plates made of high-quality stainless steel for hanging the L-shaped support rail
- made of high-quality polyamide
- including non-corrosive HEWI fixing material

Projection	· in HEWI colours 98 (signal white) or 99 (pure white)	· rails in HEWI colours 92 (anthracite grey) and 33 (ruby red) · supports and roses in HEWI colour 98 (signal white)	· rails in HEWI colours 92 (anthracite grey) and 33 (ruby red) · supports and roses in HEWI colour 99 (pure white)
A1 = 600 mm, W1 = 300 mm	<b>950.22.10090</b>	<b>950.22.10091</b>	<b>950.22.10099</b>
A1 = 900 mm, W1 = 400 mm	<b>950.22.11090</b>	<b>950.22.11091</b>	<b>950.22.11099</b>
A1 = 750 mm, W1 = 500 mm*	<b>950.22.13090*</b>	<b>950.22.13091*</b>	<b>950.22.13099*</b>
A1 = 1000 mm, W1 = 500 mm**	<b>950.22.14090**</b>	<b>950.22.14091**</b>	<b>950.22.14099**</b>
A1 = 600 - 1250 mm, W1 = 300 - 850 mm, please advise A1 and W1 when ordering	<b>950.22.1S90</b>	<b>950.22.1S91</b>	<b>950.22.1S99</b>

\* fulfils ÖNORM B 1600/1601  
\*\*fulfils SIA 500

Please advise colour when ordering.

- Roses, supports
- Rails

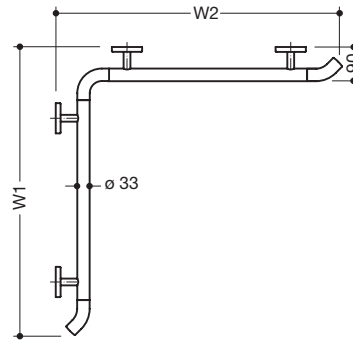
**801.50.011**  
**63086**

**HEWI Upgrade kit toilet roll holder** see page 378  
**HEWI Rose cover for mobile solutions**



Item Number

Dimensions in mm / Specification



**HEWI Support grab rail**

- with 45° end bends facing to the wall
- with continuous, corrosion resistant steel core
- wall connection with filigree supports, perpendicular to wall  $\varnothing$  18 mm and flat roses  $\varnothing$  80 mm, cap height 13 mm
- easy installation due to individually mounted fixing plates made of high-quality stainless steel for hanging the shower grab rail
- 90 mm deep, rails  $\varnothing$  33 mm
- made of high-quality polyamide
- including non-corrosive HEWI fixing material

<b>Projection</b>	· in HEWI colours 98 (signal white) or 99 (pure white)	· rails in HEWI colours 92 (anthracite grey) and 33 (ruby red) · supports and roses in HEWI colour 98 (signal white)	· rails in HEWI colours 92 (anthracite grey) and 33 (ruby red) · supports and roses in HEWI colour 99 (pure white)
W1 = 762 mm W2 = 762 mm	<b>950.35.11090</b>	<b>950.35.11091</b>	<b>950.35.11099</b>
W1 = 475 - 1800 mm W2 = 475 - 1800 mm, please advise W1 and W2 when ordering	<b>950.35.1S90*</b>	<b>950.35.1S91*</b>	<b>950.35.1S99*</b>

System 800 K

**Please note when using with removable hanging seats**

Compatibility check required. A detailed list of the possible combinations of support rails, L-shaped support rails and shower head rails with matching removable hanging seats can be found in our online catalogue in the download area of the respective product.

\*From an external dimension of W1/W2 = 1340 mm, the shower grab rail has a centrally positioned, additional wall mounting.

Please advise colour when ordering.

- Roses, supports
- Rails

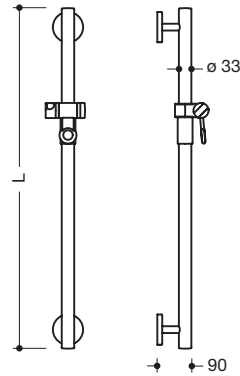
**802.03.200**  
**802.03.210**  
**63086**

**HEWI Storage box** see page 309  
**HEWI Corner shelf** see page 310  
**HEWI Rose cover for mobile solutions**

**HEWI Colours**

- 
- 98 99 92 33

Detailed information about the spare parts can be found here:  
[www.hewi.com/en/spare-parts](http://www.hewi.com/en/spare-parts)



**HEWI Rail with shower head holder**

- with continuous, corrosion resistant steel core
- wall connection with filigree supports (ø 18 mm) perpendicular to wall and flat roses ø 80 mm, cap height 13 mm
- shower head holder adjustable to required angle and height
- conical adapter on shower head holder facilitates accommodation of handspray
- suitable for various manufacturers' shower heads
- easy installation due to individually mounted fixing plates made of high-quality stainless steel for hanging the shower head rail
- 90 mm deep, rail ø 33 mm
- made of high-quality polyamide
- including non-corrosive HEWI fixing material

Projection		· in HEWI colours 98 (signal white) or 99 (pure white) · shower head holder with black grip zone	· rail and grip zone of the shower head holder in HEWI colours 92 (anthracite grey) and 33 (ruby red) · shower head holder, supports and roses in HEWI colour 98 (signal white)	· rail and grip zone of the shower head holder in HEWI colours 92 (anthracite grey) and 33 (ruby red) · shower head holder, supports and roses in HEWI colour 99 (pure white)
L = 600 mm	<b>950.33.10090</b>		<b>950.33.10091</b>	<b>950.33.10099</b>
L = 900 mm	<b>950.33.11090</b>		<b>950.33.11091</b>	<b>950.33.11099</b>
L = 1100 mm	<b>950.33.12090</b>		<b>950.33.12091</b>	<b>950.33.12099</b>
L = 600 mm - 1250 mm, please advise length L when ordering	<b>950.33.1S90</b>		<b>950.33.1S91</b>	<b>950.33.1S99</b>

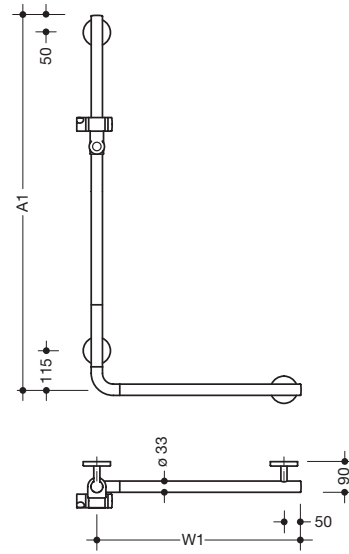
Please advise colour when ordering.

- Roses, supports
- Rail

**63086**  
**950.33.E019..**  
**950.33.E03...**  
**950.33.E05...**  
**950.33.E07...**

**HEWI Rose cover for mobile solutions**  
**HEWI Shower head holder**  
**HEWI Handspray** see Universal products page 702  
**HEWI Shower hose** see Universal products page 703  
**HEWI Shower set** see Universal products page 704

Detailed information about the spare parts can be found here:  
[www.hewi.com/en/spare-parts](http://www.hewi.com/en/spare-parts)



**HEWI L-shaped support rail with shower head holder**

- with continuous, corrosion resistant steel core
- wall connection with filigree supports, perpendicular to wall  $\varnothing$  18 mm and flat roses  $\varnothing$  80 mm, cap height 13 mm
- 90 mm deep, rails  $\varnothing$  33 mm
- shower head holder adjustable to required angle and height
- conical adapter on shower head holder facilitates accommodation of handspray
- suitable for various manufacturers' shower heads
- easy installation due to individually mounted fixing plates made of high-quality stainless steel for hanging the L-shaped support rail
- can be mounted in left hand or right hand position
- made of high-quality polyamide
- including non-corrosive HEWI fixing material

System 800 K

<b>Projection</b>	· in HEWI colours 98 (signal white) or 99 (pure white) · shower head holder with black grip zone	· rails and grip zone of the shower head holder in HEWI colours 92 (anthracite grey) and 33 (ruby red) · shower head holder, supports and roses in HEWI colour 98 (signal white)	· rails and grip zone of the shower head holder in HEWI colours 92 (anthracite grey) and 33 (ruby red) · shower head holder, supports and roses in HEWI colour 99 (pure white)
A1 = 1100 mm W1 = 600 mm	<b>950.33.21090</b>	<b>950.33.21091</b>	<b>950.33.21099</b>
A1 = 1250 mm W1 = 600 mm	<b>950.33.22090</b>	<b>950.33.22091</b>	<b>950.33.22099</b>
A1 = 600 - 1250 mm W1 = 300 - 850 mm, please advise A1 and W1 when ordering	<b>950.33.2S90</b>	<b>950.33.2S91</b>	<b>950.33.2S99</b>

**Please note when using with removable hanging seats**

Compatibility check required. A detailed list of the possible combinations of support rails, L-shaped support rails and shower head rails with matching removable hanging seats can be found in our online catalogue in the download area of the respective product.

Please advise colour when ordering.

- Roses, supports
- Rails

**63086**  
**950.33.E019..**

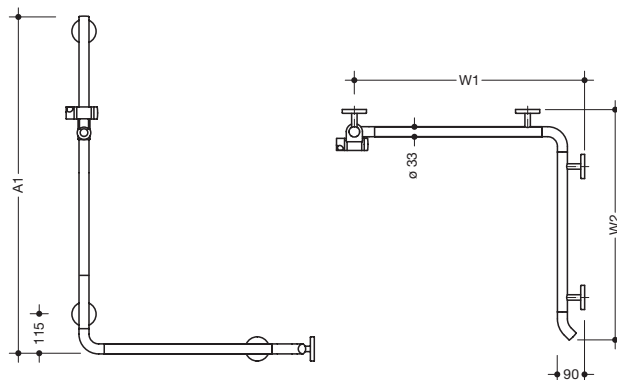
**HEWI Rose cover for mobile solutions**  
**HEWI Shower head holder**

**HEWI Colours**

- 
- 98 99 92 33

**802.03.200, 802.03.210**  
**950.33.E03...**  
**950.33.E05...**  
**950.33.E07...**

**HEWI Storage box, corner shelf** see pages 309, 310  
**HEWI Handspray** see Universal products page 702  
**HEWI Shower hose** see Universal products page 703  
**HEWI Shower set** see Universal products page 704



**HEWI Shower grab rail with vertical support bar and shower head holder**

- with 45° end bends facing to the wall on horizontal bar
- with continuous, corrosion resistant steel core
- wall connection with filigree supports, perpendicular to wall  $\varnothing$  18 mm and flat roses  $\varnothing$  80 mm, cap height 13 mm
- 90 mm deep, rails  $\varnothing$  33 mm, can be mounted in left hand or right hand position
- shower head holder adjustable to required angle and height
- conical adapter on shower head holder facilitates accommodation of handspray
- suitable for various manufacturers' shower heads
- easy installation due to individually mounted fixing plates made of high-quality stainless steel for hanging the shower grab rail
- made of high-quality polyamide
- including non-corrosive HEWI fixing material

Projection		· rails and grip zone of the shower head holder in HEWI colours 92 (anthracite grey) and 33 (ruby red) · shower head holder, supports and roses in HEWI colour 98 (signal white)	· rails and grip zone of the shower head holder in HEWI colours 92 (anthracite grey) and 33 (ruby red) · shower head holder, supports and roses in HEWI colour 99 (pure white)
A1 = 1100 mm W1/W2 = 762 mm	<b>950.35.21090</b>	<b>950.35.21091</b>	<b>950.35.21099</b>
A1 = 1250 mm W1/W2 = 762 mm	<b>950.35.22090</b>	<b>950.35.22091</b>	<b>950.35.22099</b>
A1 = 1100 mm W1 = 762 mm, W2 = 962 mm	<b>950.35.23090</b>	<b>950.35.23091</b>	<b>950.35.23099</b>
A1 = 1250 mm W1 = 762 mm, W2 = 962 mm	<b>950.35.24090</b>	<b>950.35.24091</b>	<b>950.35.24099</b>
A1 = 600 -1250 mm W1 = 475 -1800 mm W2 = 475 -1800 mm, please advise A1, W1/W2 when ordering	<b>950.35.21S90*</b>	<b>950.35.21S91*</b>	<b>950.35.21S99*</b>

- Roses, supports
- Rails

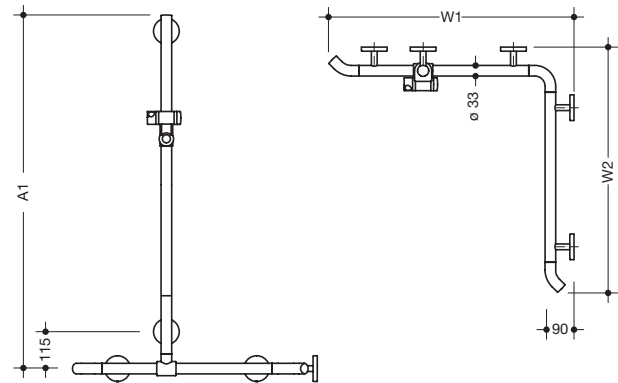
**Please note when using with removable hanging seats**

Compatibility check required. A detailed list of the possible combinations of support rails, L-shaped support rails and shower head rails with matching removable hanging seats can be found in our online catalogue in the download area of the respective product.

\*From an external dimension of W1 = 1200 mm / W2 = 1340 mm, the shower grab rail has a centrally positioned, additional wall mounting.

Please advise colour when ordering.

Detailed information about the spare parts can be found here:  
[www.hewi.com/en/spare-parts](http://www.hewi.com/en/spare-parts)



**HEWI Shower grab rail with sideways adjustable vertical support bar and shower head holder**

- with 45° end bends facing to the wall on horizontal bars
- with continuous, corrosion resistant steel core
- with vertical rail with shower head holder that can be moved to the side (for installation)
- wall connection with filigree supports, perpendicular to wall  $\varnothing$  18 mm and flat roses  $\varnothing$  80 mm, cap height 13 mm
- 90 mm deep, rails  $\varnothing$  33 mm, mountable in left or right hand position
- shower head holder adjustable to required angle and height
- conical adapter on shower head holder facilitates accommodation of handspray, suitable for various manufacturers' shower heads
- easy installation due to individually mounted fixing plates made of high-quality stainless steel for hanging the shower grab rail
- made of high-quality polyamide
- including non-corrosive HEWI fixing material

System 800 K

Projection	950.35.31090	950.35.31091	950.35.31099
A1 = 1100 mm W1/W2 = 762 mm	· in HEWI colours 98 (signal white) or 99 (pure white) · shower head holder with black grip zone	· rails and grip zone of the shower head holder in HEWI colours 92 (anthracite grey) and 33 (ruby red) · shower head holder, supports and roses in HEWI colour 98 (signal white)	· rails and grip zone of the shower head holder in HEWI colours 92 (anthracite grey) and 33 (ruby red) · shower head holder, supports and roses in HEWI colour 99 (pure white)
A1 = 1250 mm W1/W2 = 762 mm	<b>950.35.32090</b>	<b>950.35.32091</b>	<b>950.35.32099</b>
A1 = 1100 mm W1/W2 = 962 mm	<b>950.35.33090</b>	<b>950.35.33091</b>	<b>950.35.33099</b>
A1 = 1250 mm W1/W2 = 962 mm	<b>950.35.34090</b>	<b>950.35.34091</b>	<b>950.35.34099</b>
A1 = 600 -1250 mm W1 = 475 -1800 mm W2 = 475 -1800 mm, please advise A1, W1/W2 when ordering	<b>950.35.3S90*</b>	<b>950.35.3S91*</b>	<b>950.35.3S99*</b>

**Please note when using with removable hanging seats**

Compatibility check required. A detailed list of the possible combinations of support rails, L-shaped support rails and shower head rails with matching removable hanging seats can be found in our online catalogue in the download area of the respective product.

\*From an external dimension of W2 = 1340 mm, the shower grab rail has a centrally positioned, additional wall mounting.

Note during installation: max. horizontal mounting distance 850 mm. A1 can only be fixed with W1.

Please advise colour when ordering.

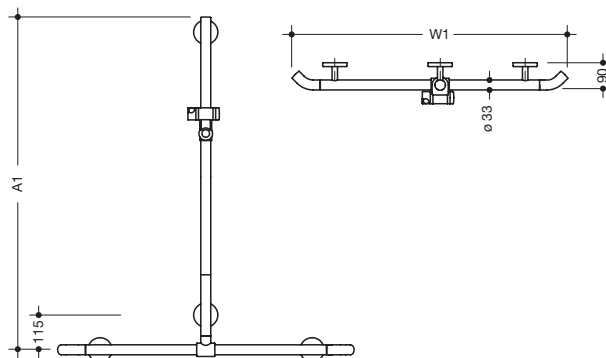
- Roses, supports
- Rails

**HEWI Colours**

- 
- 98 99 92 33

- 63086
- 950.33.E019..
- 802.03.200, 802.03.210
- 950.33.E03...
- 950.33.E05...
- 950.33.E07...

- HEWI Rose cover for mobile solutions**
- HEWI Shower head holder**
- HEWI Storage box, corner shelf** see pages 309, 310
- HEWI Handspray** see Universal products page 702
- HEWI Shower hose** see Universal products page 703
- HEWI Shower set** see Universal products page 704



**HEWI Shower grab rail with sideways adjustable vertical support bar and shower head holder**

- with 45° end bends facing to the wall on horizontal bars
- with continuous, corrosion resistant steel core
- with vertical rail with shower head holder that can be moved to the side (for installation)
- wall connection with filigree supports, perpendicular to wall ø 18 mm and flat roses ø 80 mm, cap height 13 mm
- 90 mm deep, rails ø 33 mm, made of high-quality polyamide
- shower head holder adjustable to required angle and height
- conical adapter on shower head holder facilitates accommodation of handspray
- suitable for various manufacturers' shower heads
- easy installation due to individually mounted fixing plates made of high-quality stainless steel for hanging the shower grab rail
- including non-corrosive HEWI fixing material

Projection		· rails and grip zone of the shower head holder in HEWI colours 98 (signal white) or 99 (pure white)	· rails and grip zone of the shower head holder in HEWI colours 92 (anthracite grey) and 33 (ruby red)
A1 = 1100 mm W1 = 812 mm	950.35.42090	· shower head holder with black grip zone	· shower head holder, supports and roses in HEWI colour 98 (signal white)
A1 = 1100 mm W1 = 812 mm	950.35.42091		· rails and grip zone of the shower head holder in HEWI colours 92 (anthracite grey) and 33 (ruby red)
A1 = 1100 mm W1 = 962 mm	950.35.41090		· shower head holder, supports and roses in HEWI colour 99 (pure white)
A1 = 1100 mm W1 = 1184 mm	950.35.43090		
A1 = 1250 mm W1 = 812 mm	950.35.45090		
A1 = 1250 mm W1 = 962 mm	950.35.44090		
A1 = 1250 mm W1 = 1184 mm	950.35.46090		
A1 = 600 -1250 mm W1 = 475 -1800 mm, please advise A1 and W1 when ordering	950.35.4S90		
			950.35.4S91
			950.35.4S99

**Please note when using with removable hanging seats**  
Compatibility check required. A detailed list of the possible combinations of support rails, L-shaped support rails and shower head rails with matching removable hanging seats can be found in our online catalogue in the download area of the respective product.

Note during installation: max. horizontal mounting distance 850 mm.

Please advise colour when ordering.

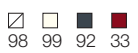
- Roses, supports
- Rails

63086  
950.33.E019..  
802.03.200  
950.33.E03..  
950.33.E05..  
950.33.E07..

**HEWI Rose cover for mobile solutions**  
**HEWI Shower head holder**  
**HEWI Storage box** see page 309  
**HEWI Handspray** see Universal products page 702  
**HEWI Shower hose** see Universal products page 703  
**HEWI Shower set** see Universal products page 704

---

**HEWI Colours**



Detailed information about the spare parts can be found here:  
[www.hewi.com/en/spare-parts](http://www.hewi.com/en/spare-parts)

## Range 805



reddot design award  
honourable mention 2008

### PRODUCT CHARACTERISTICS

- Range 805 was designed for applications in public sanitary room
- The reduced shape design, the modular structure and comprehensive functions characterise Range 805
- The particularly easy to care for materials of stainless steel and polyamide are extremely robust and are therefore particularly suitable for highly frequented areas
- The functional areas of the products made of high-quality polyamide are colour-contrasting and therefore particularly pleasant to grip

### RECOMMENDED APPLICATION AREAS

Public





# Range 805

## DESIGN

NOA Produktdesign, Aachen

## MATERIAL AND SURFACES

Surface made of satin finished stainless steel, functional elements made of high-quality polyamide, optionally available in HEWI colours 98 (signal white), 99 (pure white), 92 (anthracite grey) or 90 (jet black).

## ACCESSORIES

Product range	390
Basin area	393 – 397
Toilet area	398 – 400

## ACCESSIBILITY

Product range	391
Support	402 – 405
Grip	406



**SURFACES**

Stainless steel, satin finished (XA)

**HEWI COLOURS**

- 98 (signal white)
- 99 (pure white)
- 92 (anthracite grey)
- 90 (jet black)

**ACCESSORIES**



**Hooks**

805.90.100 page 393  
805.90.110 page 393



**Double hook**

805.90.120 page 393



**Disinfectant dispenser**

805.06.350 page 393

Basic body  
   Discharge cover



**Soap dispenser**

805.06.100 page 394

Basic body  
   Opening



**Soap | Foam soap dispenser**

805.06.115 **HEWI SENSORIC** page 394  
805.06.155 **HEWI SENSORIC** page 394  
805.06.150 page 395

Basic body  
   Opening



**Paper towel dispenser**

805.06.500 page 396

Basic body  
   Opening



**Waste paper bin | with lid**

805.05.100 page 396  
805.05.110 page 396

Basic body  
   Opening



**Waste paper bin 60 l**

805.05.400 page 395

Basic body  
   Opening



**Paper roll dispenser**

805.06.555 **HEWI SENSORIC** page 397

Basic body  
   Opening



**Toilet roll holder**

805.21.500 page 398



**Toilet roll holder, double**

805.21.550 page 398



**Large toilet roll holder**

805.21.600 page 398

Basic body  
   Opening



**Toilet brush unit**

805.20.200 page 399

Brush container  
   Insert of brush container



**Hygiene bag dispenser**

805.06.700 page 400



**Hygiene waste bin/combination**

805.05.200 page 400  
805.05.210 page 400

Basic body  
   Frame of opening

**ACCESSIBILITY**



**Hinged support rail Mono**  
 950.50.610XA | 600 mm page 402  
 950.50.611XA | mobile page 403



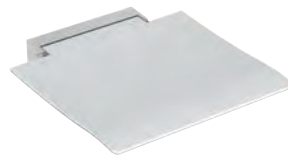
**Hinged support rail Duo**  
 950.50.620XA | 700 mm page 402  
 950.50.630XA | 850 mm page 402  
 950.50.640XA | 900 mm page 402  
 950.50.620XA | mobile page 403  
 950.50.630XA | mobile page 403



**Support rail**  
 950.36.6..XA page 406



**Hinged seat 350**  
 950.51.20... page 526  
 950.51.40... | mobile page 526



**Hinged seat 450**  
 950.51.21... page 527  
 950.51.41... | mobile page 527

**MATCHING PRODUCTS**

Range 805 can be supplemented with the following products.



**Fittings** from page 569



**Washbasins** from page 589



**Mirrors** from page 641



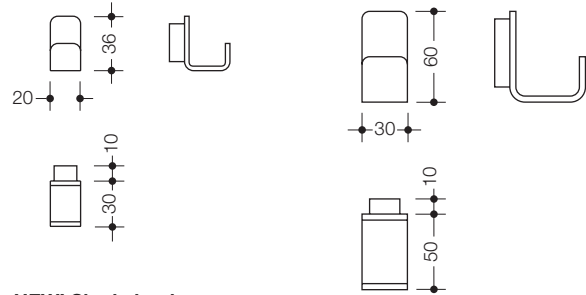
**Dispensers System 900** page 659

# Range 805 Accessories



Item Number

Dimensions in mm / Specification

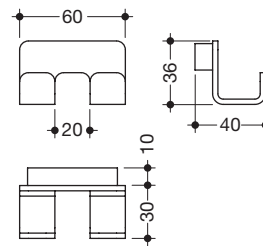


**HEWI Single hook**

- right-angled bent hook with cubical radii and recessed wall base panel
- made of high-quality satin finished stainless steel strip, 3 mm thick
- including non-corrosive HEWI fixing material
- 20 mm wide, 36 mm high and 40 mm deep
- 30 mm wide, 60 mm high and 60 mm deep



**805.90.100**  
**805.90.110**

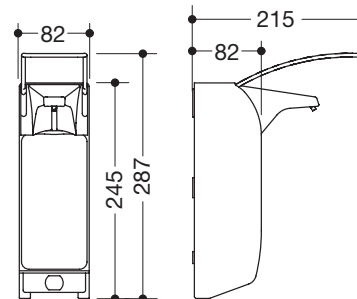


**HEWI Double hook**

- right-angled bent hook with cubical radii and recessed wall base panel
- 60 mm wide, 36 mm high and 40 mm deep
- made of high-quality satin finished stainless steel strip, 3 mm thick
- including non-corrosive HEWI fixing material



**805.90.120**



**HEWI Disinfectant and soap dispenser**

- half-open basic body made of high-quality stainless steel, satin finished
- dispenser with long lever, for dispensing controlled quantities of alcohol-based hand disinfectants
- for 500 ml Euro Norm standard bottles
- the disposable bottles are easy to replace from the front
- dosing quantity adjustable in several steps, dosing pump made of stainless steel
- dispenser/pump dishwasher safe and autoclavable up to 134° C, 3 bar
- 82 mm wide, 245 mm high and 215 mm deep, for wall mounting
- discharge cover made of synthetic material in HEWI colours 98 (signal white), 99 (pure white), 92 (anthracite grey) or 90 (jet black)
- incl. 500 ml empty container for free (re-)filling

Please advise colour when ordering.

- Basic body
- Discharge cover

**805.06.E01**  
**805.06.E02**

**HEWI Shutter**  
**HEWI Empty container**

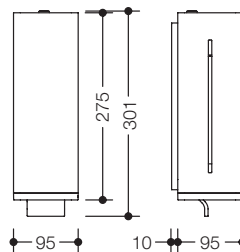
**HEWI Colours | Surfaces**

- 
- 98 99 92 90 XA

Detailed information about the spare parts can be found here:  
[www.hewi.com/en/spare-parts](http://www.hewi.com/en/spare-parts)

Item Number

Dimensions in mm / Specification



805.06.100

**HEWI Soap dispenser**

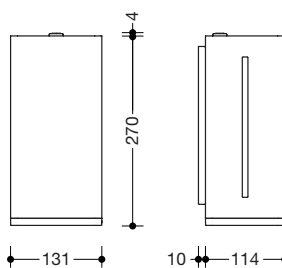
- to be filled with standard liquid soap
- with inner container for free filling, capacity 600 ml
- inner container can be removed for cleaning
- side level indicator
- locking system as protection against misuse
- 95 mm wide, 275 mm high and 105 mm deep
- for wall mounting
- made of high-quality stainless steel, satin finished
- lever and functional end made of high-quality polyamide in HEWI colours 98 (signal white), 99 (pure white), 92 (anthracite grey) or 90 (jet black)
- not suitable for disinfectant

Please advise colour when ordering.

- Basic body
- Lever and functional end

805.06.E03

**HEWI Empty container**



805.06.115

**HEWI SENSORIC Soap dispenser**

- to be filled with standard liquid soap
- with inner container for free filling, capacity 500 ml
- inner container can be removed for cleaning
- side level indicator, non-contact soap dispensing
- illumination of the output area when the sensor is activated (blue light)
- with battery change indicator
- locking system as protection against misuse, maintenance-free
- 131 mm wide, 270 mm high, 124 mm deep
- for wall mounting
- made of high-quality stainless steel, satin finished
- functional end made of high-quality polyamide in HEWI colours 98 (signal white), 99 (pure white), 92 (anthracite grey) or 90 (jet black)
- including non-corrosive HEWI fixing material
- batteries (AA 1,5 V/4 pcs.) not included in delivery

Please advise colour when ordering.

**HEWI SENSORIC**

- Basic body
- Functional end

805.06.155

**HEWI SENSORIC Foam soap dispenser**

- do., to be filled with standard foam soap

805.06.135

**HEWI SENSORIC Disinfectant dispenser**

- do., to be filled with standard disinfectant

900.06.E02

**HEWI Empty container for 805.06.115**

900.06.E03

**HEWI Empty container for 805.06.135**

900.06.E04

**HEWI Empty container for 805.06.155**

805.06.E04

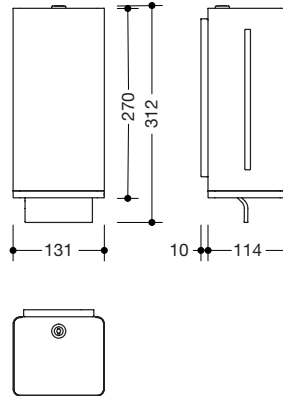
**HEWI Empty container for 805.06.150**

Item Number

Dimensions in mm / Specification



805.06.150



**HEWI Foam soap dispenser**

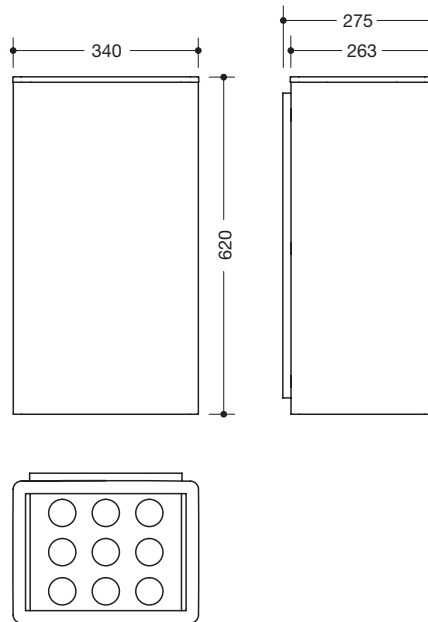
- to be filled with standard foam soap
- with inner container for free filling, capacity 1000 ml
- inner container can be removed for cleaning
- side level indicator
- locking system as protection against misuse
- 131 mm wide, 270 mm high, 124 mm deep
- for wall mounting
- made of high-quality stainless steel, satin finished
- lever and functional end made of high-quality polyamide in HEWI colours colours 98 (signal white), 99 (pure white), 92 (anthracite grey) or 90 (jet black)
- including non-corrosive HEWI fixing material

Please advise colour when ordering.

- Basic body
- Lever and functional end



805.05.400



**HEWI Waste paper bin**

- capacity approx. 60 l
- invisible, integrated bag holder
- 340 mm wide, 620 mm high and 275 mm deep
- for wall mounting
- made of high-quality stainless steel, satin finished
- opening made of high-quality polyamide in HEWI colours 98 (signal white), 99 (pure white), 92 (anthracite grey) or 90 (jet black)

Please advise colour when ordering.

- Basic body
- Opening

**HEWI Colours | Surfaces**

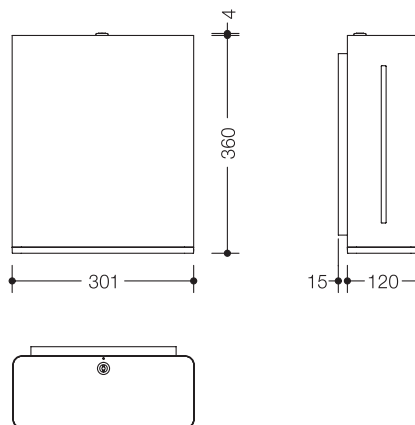
- 98  99  92  90  XA

Detailed information about the spare parts can be found here:  
[www.hewi.com/en/spare-parts](http://www.hewi.com/en/spare-parts)

Range 805

Item Number

Dimensions in mm / Specification



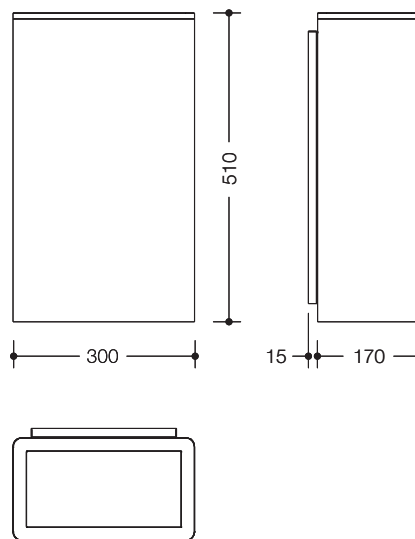
805.06.500

**HEWI Paper towel dispenser**

- used to hold standard paper towels with different types of folds, 240 - 250 mm
- capacity approx. 300 - 450 paper towels
- level indicator at the side
- locking system as protection against misuse
- 301 mm wide, 360 mm high and 135 mm deep
- for wall mounting
- made of high-quality stainless steel with recessed wall base panel, satin surface finishd
- functional end made of high-quality polyamide in HEWI colours 98 (signal white), 99 (pure white), 92 (anthracite grey) or 90 (jet black)

Please advise colour when ordering.

- Basic body
- Functional end



805.05.100

**HEWI Waste paper bin**

- capacity approx. 25 l
- invisible, integrated bag holder
- 300 mm wide, 510 mm high and 185 mm deep
- for wall mounting
- made of high-quality stainless steel, satin finished
- opening made of high-quality polyamide in HEWI colours 98 (signal white), 99 (pure white), 92 (anthracite grey) or 90 (jet black)



805.05.110

- do., with lid with lifting flap

Please advise colour when ordering.

- Basic body, lid if applicable
- Opening

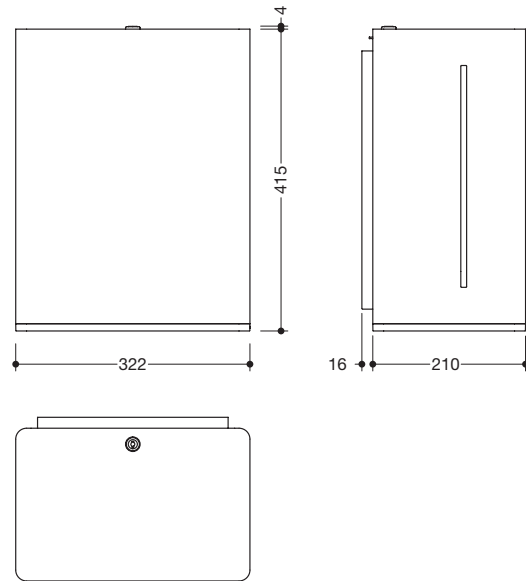
805.05.E01

**HEWI Lid with frame**



Item Number

Dimensions in mm / Specification



**HEWI SENSORIC Paper roll dispenser**

- used to hold standard toilet rolls with outer feed, max. roll width 210 mm, max. roll ø 200 mm, tube ø 38 mm
- side level indicator, easy paper roll replacement
- with battery change indicator
- locking system as protection against misuse
- maintenance-free
- 322 mm wide, 415 mm high, 226 mm deep
- for wall mounting
- made of high-quality stainless steel, satin finished
- functional end made of high-quality polyamide in HEWI colours 98 (signal white), 99 (pure white), 92 (anthracite grey) or 90 (jet black)
- including non-corrosive HEWI fixing material
- batteries (D-Mono-LR20-1,5V/4 pcs.) not included
- can be converted to mains connection with with 950.06.E01

**805.06.555**

- non-contact paper dispensing, integrated tear-off edge
- adjustable paper length (200, 300 or 450 mm)

**HEWI SENSORIC**

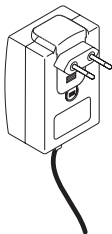
**805.06.556**

- automatic paper dispensing at the washbasin after tearing off the paper
- paper length 250 mm

- Basic body
- Functional end

Please advise colour when ordering.

Range 805



**950.06.E01**

**HEWI Power supply for electronic paper towel dispenser**

- 100-240 V, 50/60 Hz, 0,8 A
- 1x plug - type C (CEE 7/16 Euro plug) for Europe, except UK, Ireland
- protection class 2
- cable length 1700 mm

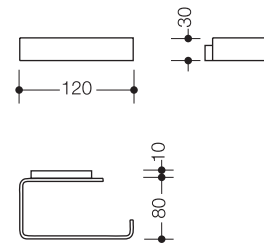
**HEWI Colours | Surfaces**

- 98  99  92  90  XA

Detailed information about the spare parts can be found here: [www.hewi.com/en/spare-parts](http://www.hewi.com/en/spare-parts)

Item Number

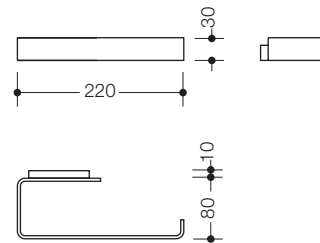
Dimensions in mm / Specification



805.21.500

**HEWI Toilet roll holder**

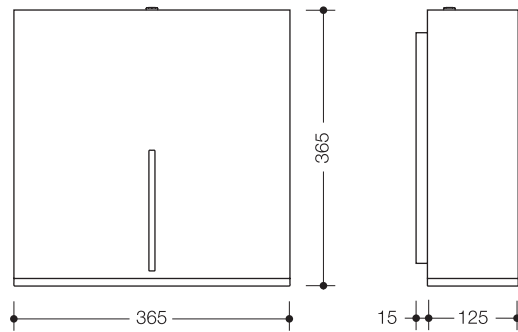
- right-angled bend, U-shaped holder with recessed wall base panel
- fixed wall-mounting
- 120 mm wide and 90 mm deep
- made of high-quality satin finished stainless steel strip, 4 mm thick



805.21.550

**HEWI Toilet roll holder, double**

- right-angled bend, U-shaped holder with recessed wall base panel
- fixed wall-mounting
- 220 mm wide and 90 mm deep
- made of high-quality satin finished stainless steel strip, 4 mm thick



805.21.600

**HEWI Large toilet roll holder**

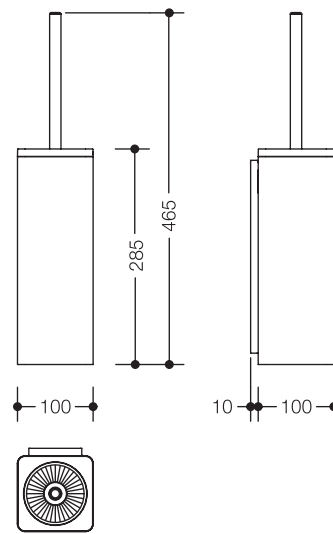
- for holding a proprietary large toilet roll with  $\varnothing$  250 – 320 mm
- level indicator
- for wall mounting, locking system as protection against misuse
- 365 mm wide, 365 mm high and 140 mm deep
- made of high-quality stainless steel, satin finished
- functional end and outline edge made of high-quality polyamide in HEWI colours 98 (signal white), 99 (pure white), 92 (anthracite grey) or 90 (jet black)

Please advise colour when ordering.

- Basic body
- Functional end

Item Number

Dimensions in mm / Specification



**805.20.200**

**HEWI Toilet brush unit**

- insert conical shaped and removable for cleaning
- with inner reservoir for disinfectant
- brush handle made of stainless steel, brush head easily replaceable by bayonet fixing
- 100 mm wide, container 285 mm high and 110 mm deep
- for wall mounting
- made of high-quality stainless steel, satin finished
- insert made of high-quality polyamide in HEWI colours 98 (signal white), 99 (pure white), 92 (anthracite grey) or 90 (jet black)

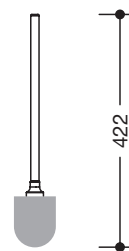
Please advise colour when ordering.

- Basic body
- Insert

**805.20.E02**

**HEWI Insert**

Range 805



**805.20.020**

**HEWI Toilet brush**

- brush handle with replaceable brush head
- brush handle made of high-quality stainless steel, satin finished
- brush head easily replaceable by bayonet fixing
- 422 mm long, ø 76 mm

**921050**  
**921051**  
**921052**

**HEWI Brush head, packing unit 1**  
**HEWI Brush head, packing unit 5**  
**HEWI Brush head, packing unit 25**

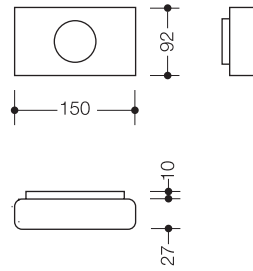
**HEWI Colours | Surfaces**

- 98  99  92  90  XA

Detailed information about the spare parts can be found here:  
[www.hewi.com/en/spare-parts](http://www.hewi.com/en/spare-parts)

Item Number

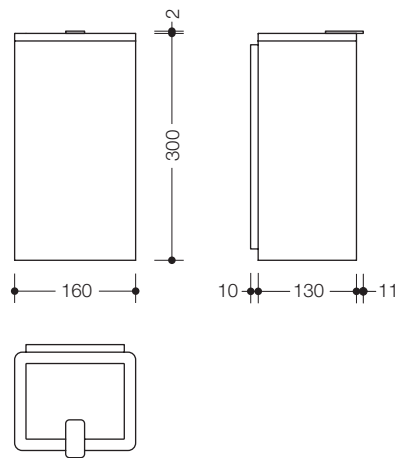
Dimensions in mm / Specification



805.06.700

**HEWI Hygiene bag dispenser**

- used to hold and remove proprietary hygiene bags made of plastic, max. package size L 130 x B 90 x H 20 mm
- for wall mounting
- 150 mm wide, 92 mm high and 37 mm deep
- made of high-quality stainless steel, satin finished

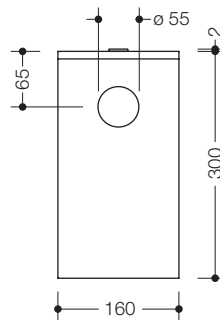


805.05.200

**HEWI Hygiene waste bin**

- capacity approx. 6 l
- invisible, integrated bag holder
- lid with lifting flap
- 160 mm wide, 300 mm high and 151 mm deep
- for wall mounting
- container and lid made of high-quality stainless steel with satin surface
- opening made of high-quality polyamide in HEWI colours 98 (signal white), 99 (pure white), 92 (anthracite grey) or 90 (jet black)

Please advise colour when ordering.



805.05.210

**HEWI Hygiene combination**

- do., with integrated opening for a pack of hygiene bags

- ☑ Basic body, lid
- ☐ □ ■ ■ Frame of opening

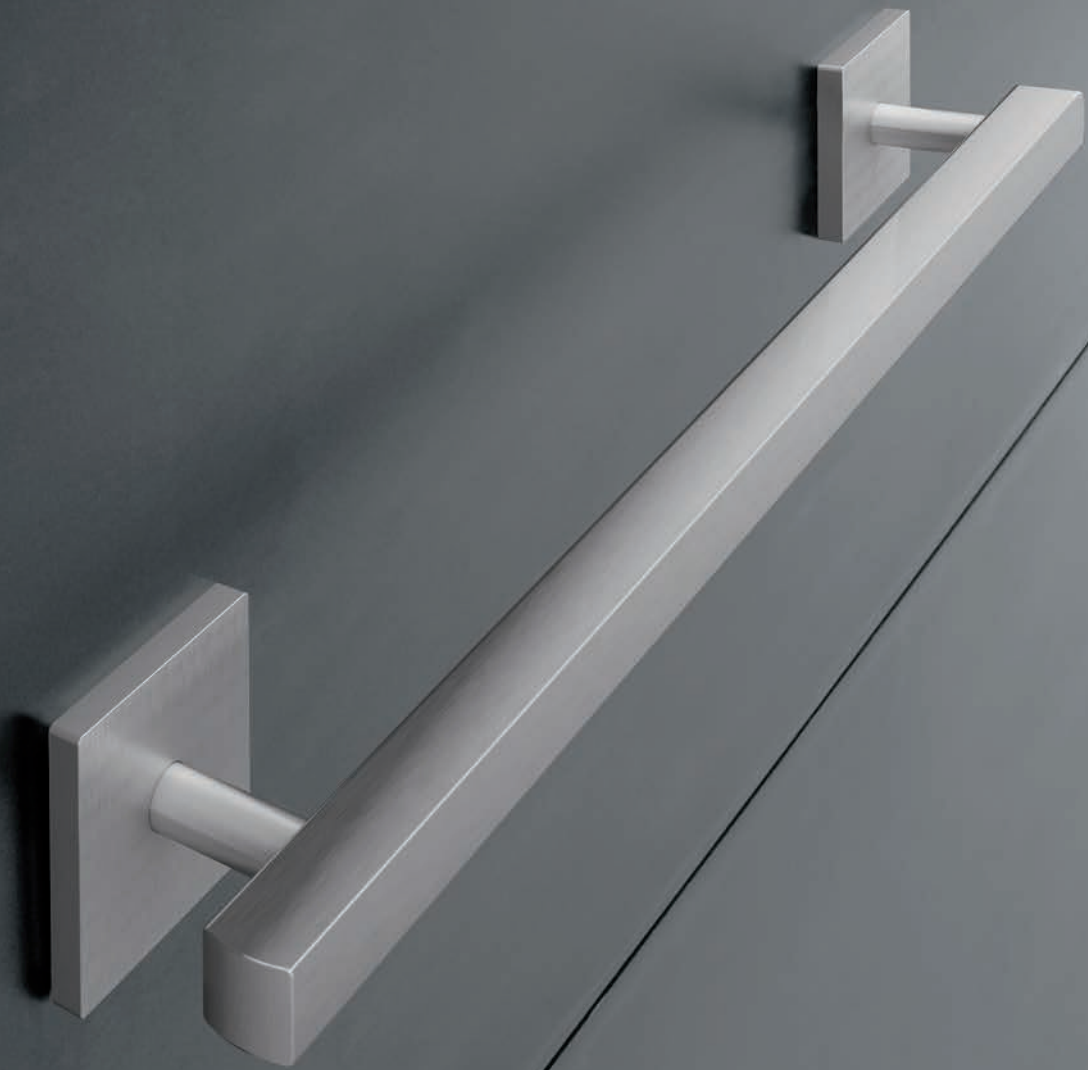
**HEWI Colours | Surfaces**

- ☐ 98 99 92 90 ☑ XA

805.05.E03

**HEWI Lid with frame**

# Range 805 Accessibility



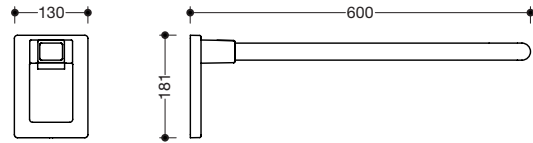
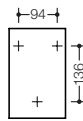
Range 805

Item Number

Dimensions in mm / Specification



Drill hole



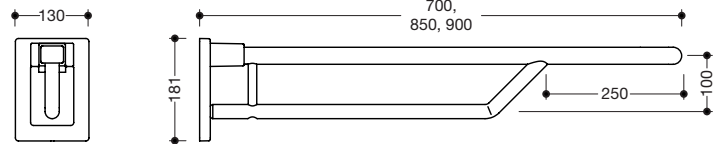
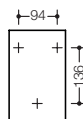
950.50.610XA

**HEWI Hinged support rail Mono**

- can be folded upwards and, with friction device, downwards
- loading capacity according to DIN 18040 up to 100 kg
- wall plate 181 mm high, 130 mm wide
- stable three-point fixing
- rail 40 mm wide and 30 mm high
- projection 600 mm
- for wall-mounting with non-corrosive and tested HEWI fixing material for different wall constructions (to be ordered separately)
- made of high-quality stainless steel, satin finished
- mounting plate cover made of high-quality polyamide in stainless steel-look



Drill hole



950.50.620XA  
950.50.630XA  
950.50.640XA

**HEWI Hinged support rail Duo**

- bottom rail is merged with the top rail at an angle of 135°
  - loading capacity according to DIN 18040 up to 100 kg
  - can be folded upwards and, with friction device, downwards
  - top rail 40 mm wide and 30 mm high
  - bottom rail ø 25 mm
  - wall plate 181 mm high, 130 mm wide
  - stable three-point fixing
  - for wall-mounting with non-corrosive and tested HEWI fixing material for different wall constructions (to be ordered separately)
  - made of high-quality stainless steel, satin finished
  - mounting plate cover made of high-quality polyamide in stainless steel-look
- 700 mm projection  
850 mm projection  
900 mm projection



**Fixing material for hinged support rails to be ordered separately page 739**

for fixing on walls made of:

- BM17.4**
- BM10.4**
- BM11.4**
- BM12.4**
- BM13.4**
- BM18.4**

- concrete > C20/C25, national technical approval number: ETA-11/0493
- concrete > C20/C25
- autoclaved aerated concrete (> P2)
- lightweight walls with rear lining made of laminated timber boards ...
- lightweight walls with integrated steel plates ...
- hollow concrete block, vertically perforated bricks, solid bricks, ..., national technical approval number: ETA-13/1036

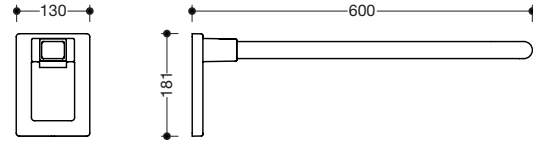
**HEWI Upgrade products for hinged support rails to be ordered separately pages 404, 405**

Item Number

Dimensions in mm / Specification



Drill hole



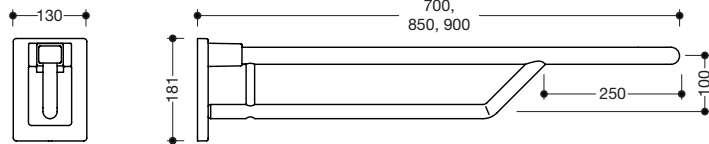
950.50.611XA

**HEWI Mobile hinged support rail Mono**

- for easy and flexible retrofitting on pre-assembled mounting plate 950.50.014XA (to be ordered separately, s. page 405)
- loading capacity according to DIN 18040 up to 100 kg
- can be folded upwards and, with friction device, downwards
- rail 40 mm wide and 30 mm high
- projection 600 mm, holder 181 mm high and 130 mm wide
- tool-free and quick installation by means of short, simple hanging
- secured against unintentional removal
- unlocking for flexible use by spring actuation
- made of high-quality stainless steel, satin finished
- mounting plate cover made of high-quality polyamide in stainless steel-look



Drill hole



950.50.621XA  
950.50.631XA

**HEWI Mobile hinged support rail Duo**

- for easy and flexible retrofitting on pre-assembled mounting plate 950.50.014XA (to be ordered separately, s. page 405)
- can be folded upwards and, with friction device, downwards
- loading capacity according to DIN 18040 up to 100 kg
- bottom rail is merged with the top rail at an angle of 135°
- top rail 40 mm wide and 30 mm high
- bottom rail ø 25 mm
- wall plate 181 mm high and 130 mm wide
- tool-free and quick installation by means of short, simple hanging
- secured against unintentional removal
- unlocking for flexible use by spring actuation
- made of high-quality stainless steel, satin finished
- mounting plate cover made of high-quality polyamide in stainless steel-look

700 mm projection  
850 mm projection



Range 805

**Fixing material for mobile hinged support rails to be ordered separately page 738**

for fixing on walls made of:

- BM17.2**
- BM10.2**
- BM11.2**
- BM12.2**
- BM13.2**
- BM18.2**

- concrete > C20/C25, national technical approval number: ETA-11/0493
- concrete > C20/C25
- autoclaved aerated concrete (> P2)
- lightweight walls with rear lining made of laminated timber boards ...
- lightweight walls with integrated steel plates ...
- hollow concrete block, vertically perforated bricks, solid bricks, ..., national technical approval number: ETA-13/1036



**HEWI Upgrade products for mobile hinged support rails to be ordered separately pages 404, 405**

HEWI Colours | Surfaces

XA

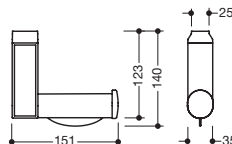
Ordering aid can be found in our online catalogue directly at the product.

Item Number

Dimensions in mm / Specification



950.50.01190

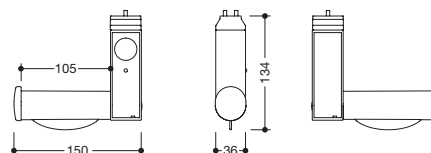


**HEWI Upgrade kit toilet roll holder**

- for retrofitting on hinged support rails 950.50.6..
- 35 mm wide, 140 mm high, 151 mm deep, integrated roll brake
- made of high-quality polyamide in HEWI colours 90 (jet black), 92 (anthracite grey), 98 (signal white) or 99 (pure white)



**New** 950.50.07290  
**New** 950.50.07390



**HEWI Upgrade kit toilet roll holder and WC flushing mechanism (radio-controlled)**

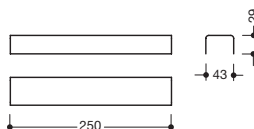
- for retrofitting on hinged support rails 950.50.6..
- blue button for triggering the WC flush mechanism
- easy installation, integrated roll brake
- 36 mm wide, 134 mm high, 150 mm deep
- transmission frequency 868,4 MHz
- suitable for radio-controlled WC flushing systems of Geberit, Mepa, Viega, Sanit, Friatec, TECE and Grohe
- made of high-quality polyamide in HEWI colours 98 (signal white), 99 (pure white), 92 (anthracite grey) or 90 (jet black)

right handed version  
left handed version

Left resp. right version from users point of view.  
Please advise colour when ordering.



950.50.03192



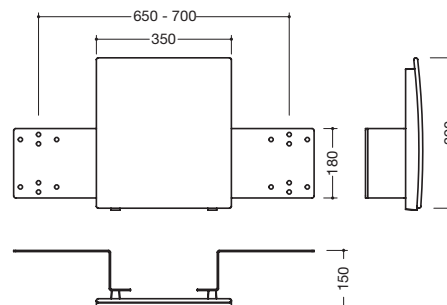
**HEWI Armpad**

- for hinged support rails 950.50.6...
- 250 mm long
- self-adhesive, abrasion-resistant, made of black polyurethane



Can be combined with all mobile hinged support rails.

950.51.90090



**HEWI Backrest rail**

- fulfils the requirements acc. to DIN 18040 and ÖNORM B 1600/1601
- mounting with hinged support rails 950.50....
- c to c 650 to 700 mm adjustable on site, 150 mm deep
- backrest 350 mm wide, 390 mm high
- backrest made of glass fibre reinforced polyamide
- mounting bar made of metal, powder-coated
- available in HEWI colours 98 (signal white) and 92 (anthracite grey)

Please advise colour when ordering.

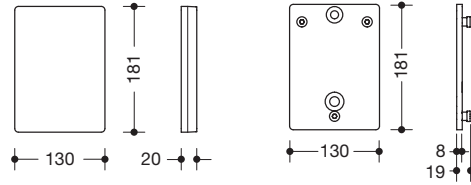
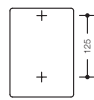
Ordering aid can be found in our online catalogue directly at the product.



Item Number

Dimensions in mm / Specification

Drill hole



950.50.100XA

**HEWI Mounting plate with cover**

- 130 mm wide, 181 mm high, 20 mm deep
- mounting plate made of stainless steel
- frame cover high-quality polyamide in HEWI colours 98 (signal white), 99 (pure white), 92 (anthracite grey) or 90 (jet black)
- face plate made of stainless steel, satin finished
- for wall-mounting with non-corrosive and tested HEWI fixing material for different wall constructions (to be ordered separately)

**Fixing material** to be ordered separately page 738

950.50.014XA

**HEWI Mounting plate**

- 130 mm wide, 181 mm high, 19 mm deep
- made of stainless steel, satin finished
- for wall-mounting with non-corrosive and tested HEWI fixing material for different wall constructions (to be ordered separately)

950.50.015XA

**HEWI Cover for mounting plate**

- for cover of the mounting plate by simple replacement
- 130 mm wide, 181 mm high, 12 mm deep
- frame cover made of high-quality polyamide in HEWI colours 98 (signal white), 99 (pure white), 92 (anthracite grey) or 90 (jet black)
- face plate made of stainless steel, satin finished

- Face plate
- Frame

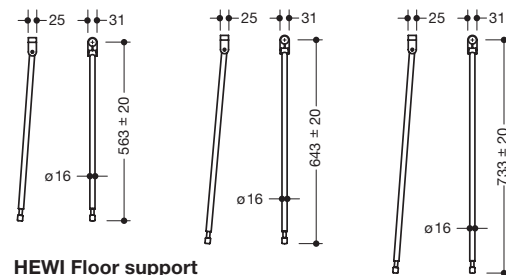


950.50.013

**HEWI Protection and storage bag**

- for storing the mobile hinged support rails 950.50...
- made of high-quality, tear-resistant white synthetic material sheeting
- high-quality fleece lining on the inside to protect the surfaces of the hinged support rails
- 1035 mm high, 335 mm wide
- with pull-cord for closing

Range 805



950.50.026XA

**HEWI Floor support**

- for retrofitting on hinged support rails Duo 950.50....
- height adjustment possible within range of  $\pm 20$  mm
- connection made of high-quality polyamide in HEWI colours 98 (signal white), 99 (pure white), 92 (anthracite grey) or 90 (jet black)
- support made of high-quality stainless steel, satin finished

950.50.020XA

- vertical length 563 mm, for mounting height 680 mm

950.50.025XA

- fulfils height adjustment requirements according to DIN 18040
- vertical length 643 mm, for mounting height 760 mm

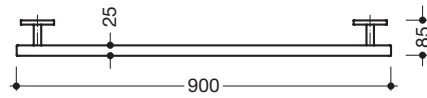
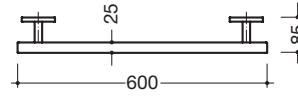
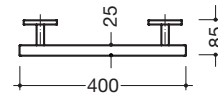
- fulfils height adjustment requirements according to ÖNORM B 1600/1601
- vertical length 733 mm, for mounting height 850 mm

- Floor support
- Connection

Please advise colour when ordering.

**HEWI Colours | Surfaces**

- 98  99  92  90  XA



950.36.610XA  
 950.36.630XA  
 950.36.640XA

**HEWI Support rail**

- straight bar with supports perpendicular to the wall and rose fixings
- □ 25 mm, 85 mm deep
- wall connection with filigree supports, perpendicular to wall ø 18 mm and flat, square roses □ 80 mm and 10 mm high
- made of high-quality stainless steel, satin finished
- easy installation due to individually mounted fixing plates made of high-quality stainless steel for hanging the support rails
- including non-corrosive HEWI fixing material BM1263.2 (page 743)

length 400 mm  
 length 600 mm  
 length 900 mm

**Please note when using with removable hanging seats**

Compatibility check required. A detailed list of the possible combinations of support rails, L-shaped support rails and shower head rails with matching removable hanging seats can be found in our online catalogue in the download area of the respective product.



## Range 805 Classic



reddot design award  
honourable mention 2008

### PRODUCT CHARACTERISTICS

- The classic round tube design of Range 805 Classic provides high ergonomics and safe gripping support systems
- Range 805 Classic accessible toilet and shower products are designed in such a way so that they provide reliable support for users
- Variable rail system: Support grab rails, L-shaped support rails and rails with shower head holder are available as customised (from unit quantity 1/fixed price)
- The stainless steel material impresses with its robustness and an easy to clean, hygienic surface finish

### RECOMMENDED APPLICATION AREAS

Professional Care, Public



# Range 805 Classic

## DESIGN

HEWI, Bad Arolsen

## MATERIAL AND SURFACES

Surface made of satin finished stainless steel.  
Functional elements made of high-quality polyamide optionally available in HEWI colours 98 (signal white), 99 (pure white), 92 (anthracite grey) or 90 (jet black).

## ACCESSORIES

Product range	410
Hooks	413
Toilet roll holder, toilet brush	414 – 415
Symbols	416

## ACCESSIBILITY

Product range	411
Support	418 – 429
Grip	430 – 434
Shower spray guard	435



**ACCESSORIES**



**Single hook**  
 805.90.011 page 413  
 805.90.030 page 413



**Double hook**  
 805.90.025 page 413



**Symbols**  
 710XA.150.. page 416



**Symbol push | pull**  
 711DXA | 711ZXA page 416



**Toilet roll holder**  
 805.21.100 page 414



**Spare roll holder**  
 805.21.200 page 414



**Toilet brush unit**  
 805.20.100 page 415

- Holder and brush handle
- Brush container



**Toilet brush**  
 805.20.010 page 415

- Brush handle

**MATCHING PRODUCTS**

Range 805 Classic can be supplemented with the following products.



**Fittings** from page 569



**Washbasins** from page 589



**Mirrors** from page 641



**Shower curtain rails** from page 224



**Universal products** from page 691



**Universal products** from page 691

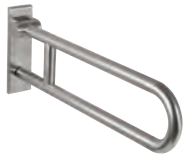


**Removable hanging seat**  
 950.51... page 532



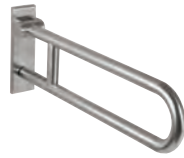
**Hinged seat**  
 950.51.2... from page 526  
 950.51.4... | mobile from page 526

**ACCESSIBILITY**



**Hinged support rail**

805.50.2..0 page 418  
805.50.2..1 | mobile page 418



**Hinged support rail, rotatable**

805.50.1..0 page 419  
805.50.1..1 | mobile page 419



**Hinged support rail, model E**

805.50.7..0 page 420  
805.50.7..1 | mobile page 420



**Hinged support rail, rotatable model E**

805.50.5..0 page 421  
805.50.5..1 | mobile page 421



**Backrest rail**

805.51.900 page 424  
805.51.910 page 425  
805.51.920.. page 425



**Backrest rail**

805.51.9..6.. page 426  
805.51.9..7.. page 427  
805.51.9...R/L from page 428

Rails  
   Backrest



**Shower spray guard curtain**

801.52.02030 page 424



**Shower spray guard | curtain**

805.52.20030 page 435  
801.52.010... page 163



**Support rail**

805.36.1.. page 430



**L-shaped support rail**

805.22.1... page 430



**L-shaped support rail**

805.22.200.. page 431



**Support grab rail**

805.35.1.. page 431



**Rail with shower head holder**

805.33.1... page 432

Rail  
    Shower head holder



**L-shaped support rail with shower head holder**

805.33.2.. page 432

Rails  
    Shower head holder



**Rail with vertical support bar and shower head holder**

805.35.21.. page 433

Rails  
    Shower head holder



**Rail with adjustable vertical support bar and shower head holder**

805.35.3.. page 434

Rails  
    Shower head holder

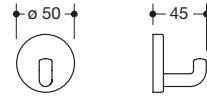
# Range 805 Classic Accessories





Item Number

Dimensions in mm / Specification



**805.90.011**

**HEWI Single hook**

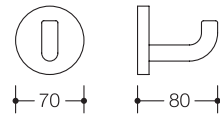
- concealed screw fitting to prevent unauthorised removal
- 45 mm deep, rose  $\varnothing$  50 mm
- made of high-quality stainless steel, satin finished
- supplied without fixing material



**805.90.025**

**HEWI Double hook**

- concealed screw fitting to prevent unauthorised removal
- 44 mm deep, rose  $\varnothing$  50 mm
- made of high-quality stainless steel, satin finished
- supplied without fixing material



**805.90.030**

**HEWI Coat hook**

- concealed screw fitting to prevent unauthorised removal
- 80 mm deep, rose  $\varnothing$  70 mm
- made of high-quality stainless steel, satin finished
- supplied without fixing material

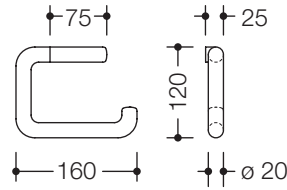


**HEWI Colours | Surfaces**

XA

Item Number

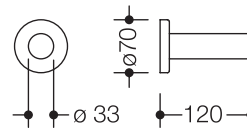
Dimensions in mm / Specification



805.21.100

**HEWI Toilet roll holder**

- concealed screw fitting to prevent unauthorised removal
- 160 mm wide, 120 mm high, rail  $\varnothing$  20 mm
- made of high-quality stainless steel, satin finished



805.21.200

**HEWI Spare roll holder**

- concealed screw fitting to prevent unauthorised removal
- 120 mm long,  $\varnothing$  33 mm, rose  $\varnothing$  70 mm
- made of high-quality stainless steel, satin finished

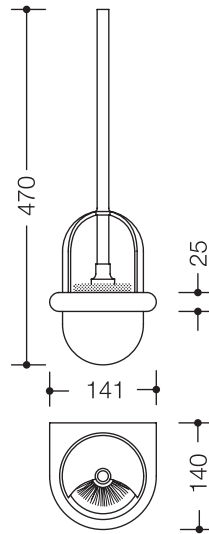


Item Number

Dimensions in mm / Specification



**805.20.100**



**HEWI Toilet brush unit**

- brush handle with replaceable head made of black polyamide
- brush container with round bottom and spherical semi-open top in ring-shaped holder
- brush hanging
- top turns through 360°, container is removable
- brush head simply replaceable by bayonet fixing
- concealed screw fitting to prevent unauthorised removal
- 141 mm wide, 470 mm high and 140 mm deep
- container made of high-quality polyamide in HEWI colours 98 (signal white), 99 (pure white), 92 (anthracite grey) or 90 (jet black)
- holder and brush handle made of high-quality stainless steel, satin finished

Please advise colour when ordering.

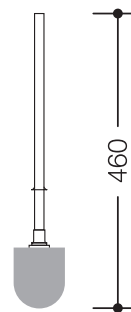
- Holder and brush handle
- Brush container

**477.20.E04**

**HEWI Toilet brush container**



**805.20.010**



**HEWI Toilet brush**

- brush handle with replaceable head made of black polyamide
- brush head simply replaceable by bayonet fixing
- 460 mm long, ø 81 mm
- brush handle made of high-quality stainless steel, satin finished

- Brush handle

**921037**  
**921044**  
**921038**

**HEWI Brush head, packing unit 1**  
**HEWI Brush head, packing unit 5**  
**HEWI Brush head, packing unit 25**

**HEWI Colours | Surfaces**

- XA

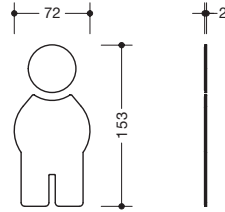
Detailed information about the spare parts can be found here:  
[www.hewi.com/en/spare-parts](http://www.hewi.com/en/spare-parts)

Item Number

Dimensions in mm / Specification



710XA.150.1

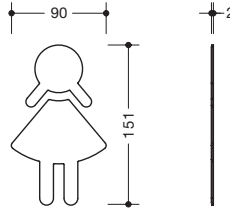


**HEWI Symbol male**

- self-adhesive
- made of stainless steel, satin finished
- 72 mm wide, 153 mm high and 2 mm thick



710XA.150.2

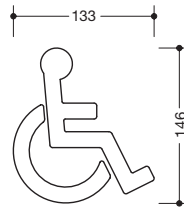


**HEWI Symbol female**

- self-adhesive
- made of stainless steel, satin finished
- 90 mm wide, 151 mm high and 2 mm thick



710XA.150.3

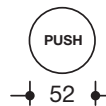


**HEWI Symbol accessibility**

- self-adhesive
- made of stainless steel, satin finished
- 133 mm wide, 146 mm high and 2 mm thick



711DXA



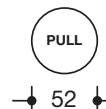
**HEWI Symbol push**

- self-adhesive
- made of stainless steel, satin finished
- ø 52 mm, 2 mm thick

In other languages available on request.



711ZX



**HEWI Symbol pull**

- self-adhesive
- made of stainless steel, satin finished
- ø 52 mm, 2 mm thick

In other languages available on request.



**HEWI Colours | Surfaces**

☑  
XA

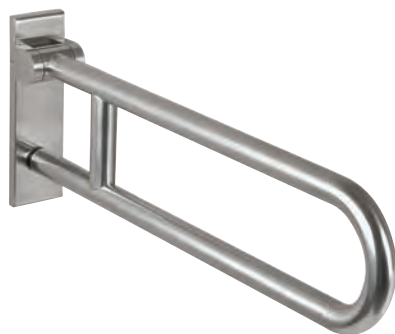
# Range 805 Classic Accessibility



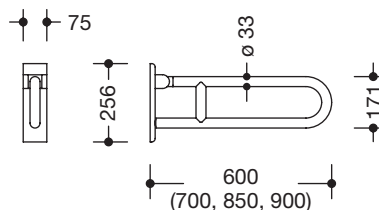
Range 805  
Classic

Item Number

Dimensions in mm / Specification



Drill hole

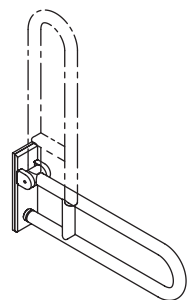


**HEWI Hinged support rail**

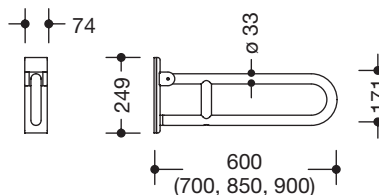
- two parallel bars running one above the other joined by a connecting bend, from a continuous tube formed
- loading capacity according to DIN 18040 up to 100 kg
- can be folded upwards and, with friction device, downwards
- wall plate made of polyamide with integrated steel core and stainless steel cover
- covered, non-corrosive and tested HEWI fixing material for different wall constructions (to be ordered separately, see below)
- sealing tape for sealing the fixing points included in delivery
- 256 mm high and 75 mm wide, rails  $\varnothing$  33 mm, tube thickness 2 mm
- made of high-quality stainless steel, satin finished

- 805.50.200**
- 805.50.210**
- 805.50.220**
- 805.50.230**

- 600 mm projection
- 700 mm projection
- 850 mm projection
- 900 mm projection



Drill hole



**HEWI Mobile hinged support rail**

- do.
- for mobile use, for easy and flexible retrofitting on pre-assembled HEWI mounting plate 950.50.016 (to be ordered separately, see page 422)
- toolless and quick installation by simple attachment of the mobile hinged support rail
- secured by fixing screw to prevent unintentional removal
- covered, non-corrosive and tested HEWI fixing material for different wall constructions (to be ordered separately, see below)
- 249 mm high and 74 mm wide, rails  $\varnothing$  33 mm, tube thickness 2 mm
- made of high-quality stainless steel, satin finished

- 805.50.201**
- 805.50.211**
- 805.50.221**
- 805.50.231**

- 600 mm projection
- 700 mm projection
- 850 mm projection
- 900 mm projection



**Fixing material to be ordered separately page 738**

for fixing on walls made of:

- BM17.2**
- BM10.2**
- BM11.2**
- BM12.2**
- BM13.2**
- BM18.2**

- concrete > C20/C25, national technical approval number: ETA-11/0493
- concrete > C20/C25
- autoclaved aerated concrete (> P2)
- lightweight walls with rear lining made of laminated timber boards ...
- lightweight walls with integrated steel plates ...
- hollow concrete block, vertically perforated bricks, solid bricks, ..., national technical approval number: ETA-13/1036

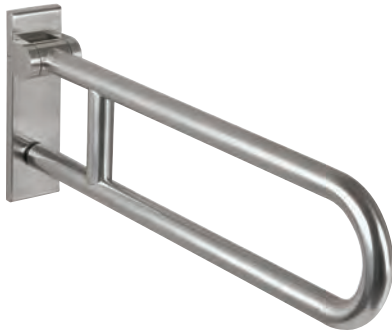
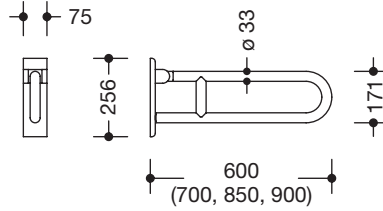
**HEWI Upgrade products for hinged support rails to be ordered separately** pages 422-429

Item Number

Dimensions in mm / Specification



Drill hole



**HEWI Hinged support rail, rotatable**

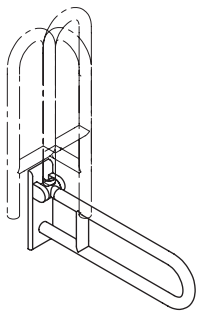
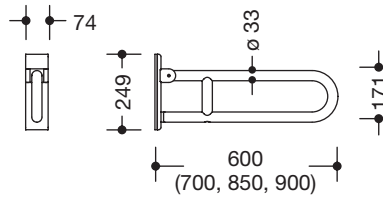
- two parallel bars running one above the other joined by a connecting bend, from a continuous tube formed
- loading capacity according to DIN 18040 up to 100 kg
- can be folded upwards and, with friction device, downwards, a turn to left or right locks support in vertical position
- wall plate made of polyamide with integrated steel core and stainless steel cover
- covered, non-corrosive and tested HEWI fixing material for different wall constructions (to be ordered separately, see below)
- sealing tape for sealing the fixing points included in delivery
- 256 mm high and 75 mm wide, rails  $\varnothing$  33 mm, tube thickness 2 mm
- made of high-quality stainless steel, satin finished

- 805.50.100**
- 805.50.110**
- 805.50.120**
- 805.50.130**

- 600 mm projection
- 700 mm projection
- 850 mm projection
- 900 mm projection



Drill hole



**HEWI Mobile hinged support rail, rotatable**

- do.
- for mobile use, for easy and flexible retrofitting on pre-assembled HEWI mounting plate 950.50.016 (to be ordered separately, see page 422)
- toolless and quick installation by simple attachment of the mobile hinged support rail
- secured by fixing screw to prevent unintentional removal
- covered, non-corrosive and tested HEWI fixing material for different wall constructions (to be ordered separately, see below)
- 249 mm high and 74 mm wide, rails  $\varnothing$  33 mm, tube thickness 2 mm
- made of high-quality stainless steel, satin finished

- 805.50.101**
- 805.50.111**
- 805.50.121**
- 805.50.131**

- 600 mm projection
- 700 mm projection
- 850 mm projection
- 900 mm projection



**Fixing material to be ordered separately page 738**

for fixing on walls made of:

- BM17.2**
- BM10.2**
- BM11.2**
- BM12.2**
- BM13.2**
- BM18.2**

- concrete > C20/C25, national technical approval number: ETA-11/0493
- concrete > C20/C25
- autoclaved aerated concrete (> P2)
- lightweight walls with rear lining made of laminated timber boards ...
- lightweight walls with integrated steel plates ...
- hollow concrete block, vertically perforated bricks, solid bricks, ..., national technical approval number: ETA-13/1036

HEWI Colours | Surfaces



XA

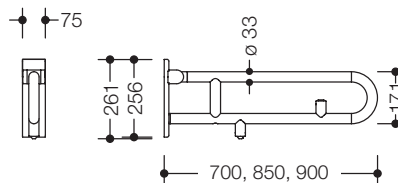
**HEWI Upgrade products for hinged support rails to be ordered separately** pages 422-429

Item Number

Dimensions in mm / Specification



Drill hole



**HEWI Hinged support rail, model E, flush release button**

- two parallel bars running one above the other joined by a connecting bend, from a continuous tube formed
- loading capacity according to DIN 18040 up to 100 kg
- can be folded upwards and, with friction device, downwards
- wall plate made of polyamide with integrated steel core and stainless steel cover
- covered, non-corrosive and tested HEWI fixing material for different wall constructions (to be ordered separately, see below)
- sealing tape for sealing the fixing points included in delivery
- 261 mm high and 75 mm wide, rails  $\varnothing$  33 mm, tube thickness 2 mm
- made of high-quality stainless steel, satin finished
- button with blue ring to release flush
- spiral cable with free wire ends for wall connection
- including white cover for flush-mounted box
- control voltage max. 30V = SELV, PELV, switching current up to max. 2A
- suitable for all standard concealed cisterns with electrical control

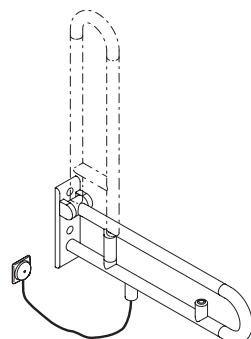
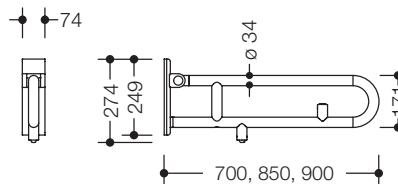
**Attention:** cistern must be prepared for electric control.

- New** 805.50.750
- New** 805.50.760
- New** 805.50.770

- 700 mm projection
- 850 mm projection
- 900 mm projection



Drill hole



**HEWI Mobile hinged support rail, model E, flush release button**

- do.
- for mobile use, for easy and flexible retrofitting on pre-assembled HEWI mounting plate 950.50.016 (to be ordered separately, see page 422)
- toolless and quick installation by simple attachment of the mobile hinged support rail
- secured by fixing screw to prevent unintentional removal
- 274 mm high and 74 mm wide, rails  $\varnothing$  33 mm, tube thickness 2 mm
- made of high-quality stainless steel, satin finished

- New** 805.50.751
- New** 805.50.761
- New** 805.50.771

- 700 mm projection
- 850 mm projection
- 900 mm projection



**Fixing material to be ordered separately page 738**

for fixing on walls made of:

- BM17.2**
- BM10.2**
- BM11.2**
- BM12.2**
- BM13.2**
- BM18.2**

- concrete > C20/C25, national technical approval number: ETA-11/0493
- concrete > C20/C25
- autoclaved aerated concrete (> P2)
- lightweight walls with rear lining made of laminated timber boards ...
- lightweight walls with integrated steel plates ...
- hollow concrete block, vertically perforated bricks, solid bricks, ..., national technical approval number: ETA-13/1036

**HEWI Upgrade products for hinged support rails to be ordered separately** pages 422-429

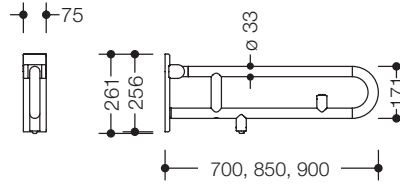


Item Number

Dimensions in mm / Specification



Drill hole



**HEWI Hinged support rail, rotatable, model E, flush release button**

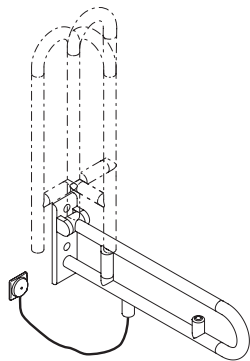
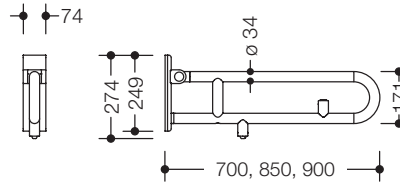
- two parallel bars running one above the other joined by a connecting bend, from a continuous tube formed
- loading capacity according to DIN 18040 up to 100 kg
- can be folded upwards and, with friction device, downwards, a turn to left or right locks support in vertical position
- wall plate made of polyamide with integrated steel core and stainless steel cover
- covered, non-corrosive and tested HEWI fixing material for different wall constructions (to be ordered separately, see below)
- sealing tape for sealing the fixing points included in delivery
- 261 mm high and 75 mm wide, rails  $\varnothing$  33 mm, tube thickness 2 mm
- made of high-quality stainless steel, satin finished
- button with blue ring to release flush
- spiral cable with free wire ends for wall connection
- including white cover for flush-mounted box
- control voltage max. 30V = SELV, PELV, switching current up to max. 2A
- suitable for all standard concealed cisterns with electrical control

- New** 805.50.550
- New** 805.50.560
- New** 805.50.570

- 700 mm projection
- 850 mm projection
- 900 mm projection



Drill hole



**HEWI Mobile hinged support rail, rotatable, model E, flush release button**

- do.
- for mobile use, for easy and flexible retrofitting on pre-assembled HEWI mounting plate 950.50.016 (to be ordered separately, see page 422)
- toolless and quick installation by simple attachment of the mobile hinged support rail
- secured by fixing screw to prevent unintentional removal
- 274 mm high and 74 mm wide, rails  $\varnothing$  33 mm, tube thickness 2 mm
- made of high-quality stainless steel, satin finished

- New** 805.50.551
- New** 805.50.561
- New** 805.50.571

- 700 mm projection
- 850 mm projection
- 900 mm projection



**Fixing material to be ordered separately page 738**

for fixing on walls made of:

- BM17.2** concrete > C20/C25, national technical approval number: ETA-11/0493
- BM10.2** concrete > C20/C25
- BM11.2** autoclaved aerated concrete (> P2)
- BM12.2** lightweight walls with rear lining made of laminated timber boards ...
- BM13.2** lightweight walls with integrated steel plates ...
- BM18.2** hollow concrete block, vertically perforated bricks, solid bricks, ..., national technical approval number: ETA-13/1036

HEWI Colours | Surfaces



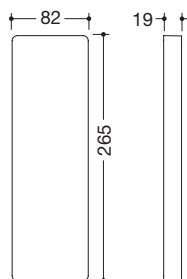
**HEWI Upgrade products for hinged support rails to be ordered separately** pages 422-429

Item Number

Dimensions in mm / Specification



950.50.101XA



**HEWI Mounting plate with cover**

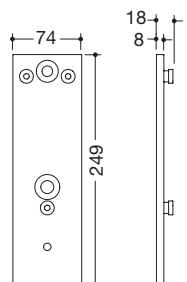
- 82 mm wide, 265 mm high, 19 mm deep
- mounting plate made of stainless steel, satin finished
- for mounting with corrosion-free and tested HEWI fixing material for different wall constructions
- sealing tape for sealing the fixing points is included in the scope of delivery
- face plate of the cover made of high-quality stainless steel, satin finished
- frame cover made of high-quality polyamide in HEWI colours 90 (jet black), 92 (anthracite grey), 98 (signal white) and 99 (pure white)

- Mounting plate, face plate
- Frame cover

**Fixing material BM10.2 to BM18.2** to be ordered separately see previous pages



950.50.016



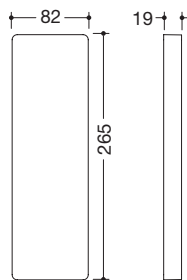
**HEWI Mounting plate**

- 74 mm wide, 249 mm high, 18 mm deep
- made of stainless steel, satin finished
- for mounting with corrosion-free and tested HEWI fixing material for different wall constructions (to be ordered separately, see previous pages)
- sealing tape for sealing the fixing points included in delivery

- 



950.50.017XA



**HEWI Cover for mounting plate**

- for cover of the mounting plate by simple replacement
- 82 mm wide, 265 mm high, 19 mm deep
- face plate of the cover made of high-quality stainless steel, satin finished
- frame cover made of high-quality polyamide in HEWI colours 90 (jet black), 92 (anthracite grey), 98 (signal white) and 99 (pure white)

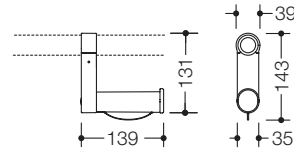
- Face plate
- Frame cover

Item Number

Dimensions in mm / Specification



**805.50.015**



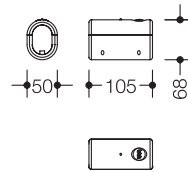
**HEWI Upgrade kit toilet roll holder**

- right angle-shaped toilet roll holder
- used for retrofitting on the HEWI rail system and on hinged support rails Range 805 Classic
- easy installation, integrated roll brake
- 39 mm wide, 131 mm high, 139 mm deep
- made of high-quality polyamide in HEWI colours 98 (signal white), 99 (pure white), 92 (anthracite grey) or 90 (jet black)

Please advise colour when ordering.



**805.50.060**



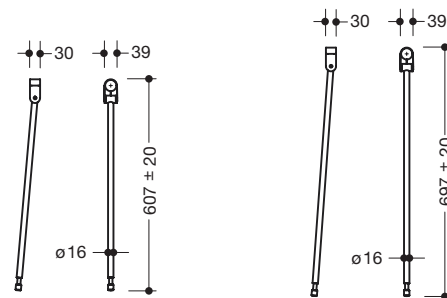
**HEWI Upgrade kit WC flushing mechanism (radio-controlled)**

- WC flushing mechanism (radio-controlled) for easy installation and for retrofitting with HEWI hinged support rails Range 805 Classic
- 50 mm wide, 68 mm high, 105 mm long, transm. frequency 868,4 MHz
- made of high-quality polyamide in HEWI colours 98 (signal white), 99 (pure white), 92 (anthracite grey) or 90 (jet black)
- suitable for radio-controlled WC flushing systems of Geberit, Mepa, Viega, Sanit, Friatec, TECE and Grohe

Please advise colour when ordering.



**950.50.022XA**



**HEWI Floor support**

- vertical floor support for retrofitting on hinged support rails 805.50...
- fulfils height adjustment requirements according to DIN 18040
- connection made of high-quality polyamide in HEWI colours 98 (signal white), 99 (pure white), 92 (anthracite grey) or 90 (jet black)
- support made of high-quality stainless steel, satin finished
- vertical length 607 mm, for mounting height 760 mm
- height adjustment possible within range of ± 20 mm



Range 805  
Classic

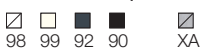
**950.50.024XA**

**HEWI Floor support**

- do., fulfils height adjustment requirements acc. to ÖNORM B 1600/1601
- vertical length 697 mm, for mounting height 850 mm



**HEWI Colours | Surfaces**

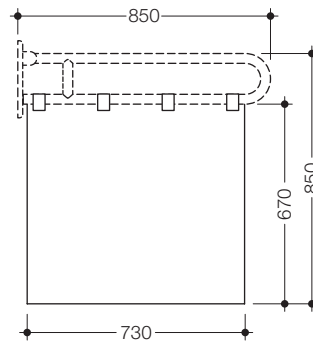


Item Number

Dimensions in mm / Specification

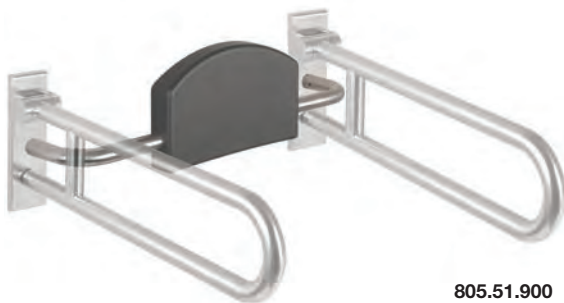


801.52.02030

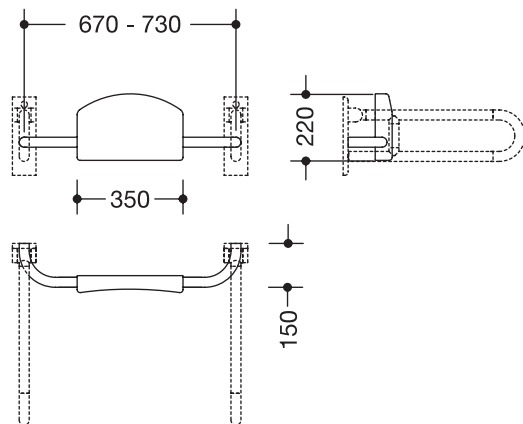


**HEWI active+ Shower spray guard curtain**

- curtain with hemmed sides, decor uni white
- made of 100 % Trevira CS, flame-resistant to DIN 4102/B1
- suitable for fixing onto hinged supports rails of Ranges 801 and 805 Classic, 850 mm projection
- washable at 40 °C and disinfected at 60 °C
- with stainless steel tape rolled hem at bottom, top edge with Velcro fasteners
- shower proof, antistatic, special mould and mildew stain resistant finish, with antimicrobial finish based on silver
- 670 mm high and 730 mm wide



805.51.900



**HEWI Backrest rail**

- padded backrest with right-angled mounting bars on each side
- fulfils the requirements acc. to DIN 18040 and ÖNORM B 1600/1601
- mounting with hinged support rails of Range 805 Classic
- c to c from 670 - 730 mm, adjustable on site
- 220 mm high and 150 mm deep, rails ø 33 mm, tube thickness 2 mm
- backrest rail 350 mm wide, backrest made of black PUR
- made of high-quality stainless steel, satin finished

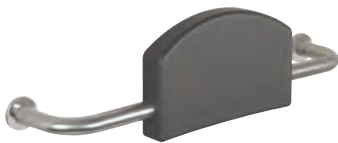
**Attention:** Supplied only with wall-specific HEWI fixing material BM1...2.1. Please order separately according to the table below see also pages 738, 741

Fixing material hinged support rail		Fixing material backrest rail
BM10.2, BM17.2	BM10.2.1	BM10.2.2 (f. 805.51.920..., s.r.)
BM11.2, BM18.2	BM11.2.1	BM11.2.2 (f. 805.51.920..., s.r.)
BM12.2	BM12.2.1	BM12.2.2 (f. 805.51.920..., s.r.)
BM13.2	BM13.2.1	BM13.2.2 (f. 805.51.920..., s.r.)

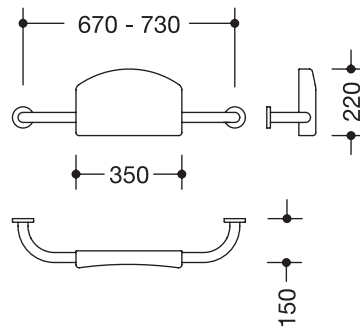
▣ Rails  
 ■ Padding

Item Number

Dimensions in mm / Specification



805.51.910



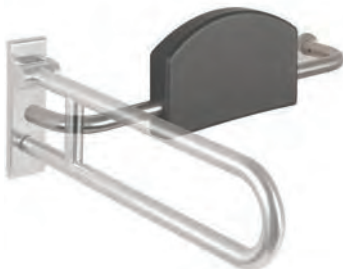
**HEWI Backrest rail**

- padded backrest with a right-angled mounting bar on each side and rose fixings
- fulfils the requirements acc. to DIN 18040 and ÖNORM B 1600/1601
- c to c from 670 - 730 mm, adjustable on site
- 220 mm high and 150 mm deep, rails ø 33 mm, tube thickness 2 mm roses ø 70 mm
- backrest rail 350 mm wide, backrest made of black PUR
- made of high-quality stainless steel, satin finished
- supplied with fixing material BM211 see page 742

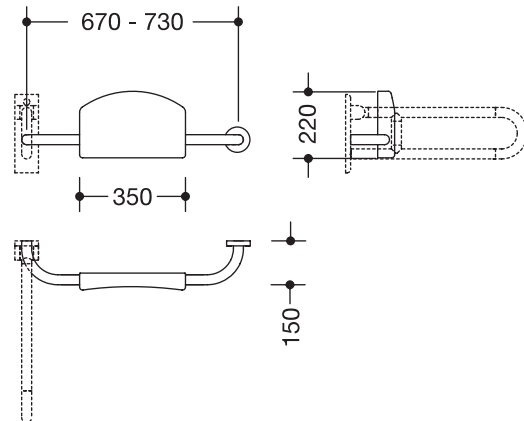
- ▣ Rails
- Padding

805.35.E01

**HEWI Rose cap**



Right handed version



**HEWI Backrest rail**

- padded backrest with a right-angled mounting bar on each side and rose fixing
- one-sided installation on the wall with rose
- one-sided installation on HEWI hinged support rails with wall plate
- mounting with hinged support rails of Range 805 Classic
- c to c from 670 - 730 mm adjustable on site
- 220 mm high and 150 mm deep, rails ø 33 mm, tube thickness 2 mm
- backrest rail 350 mm wide, backrest made of black PUR
- made of high-quality stainless steel, satin finished
- fulfils the requirements acc. to DIN 18040, ÖNORM B 1600/1601, SIA 500

Fixing material for hinged support rail side BM1...2.2, see left

**right handed version** (from users point of view)

- rail right, rose left

**left handed version**

- rail left, rose right

**HEWI Rose cap**

- ▣ Rails
- Padding

805.51.920R

805.51.920L

805.35.E01

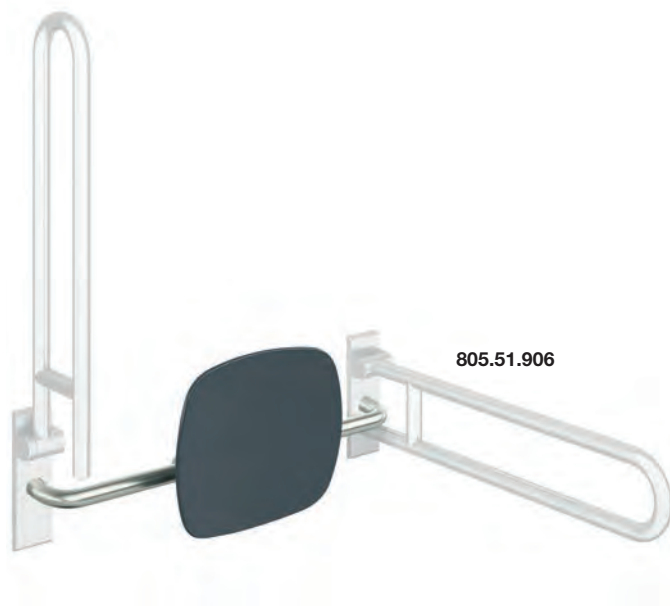
**HEWI Colours | Surfaces**

- ▣ ■
- XA 90

Detailed information about the spare parts can be found here: [www.hewi.com/en/spare-parts](http://www.hewi.com/en/spare-parts)

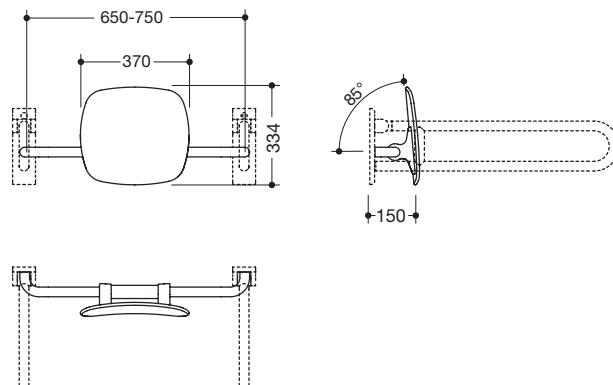
Item Number

Dimensions in mm / Specification



805.51.906

- ☑ Rails
- ☑ ■ ■ Backrest



**HEWI Backrest rail**

- padded backrest with right-angled mounting bars on each side
- mounting with hinged support rails of Range 805 Classic
- adjustable on site
- c to c from 650 - 750 mm
- 150 mm deep, rails ø 33 mm
- backrest 370 mm wide and 334 mm high
- backrest made of synthetic material in HEWI colours 98 (signal white), 92 (anthracite grey) and 90 (jet black)
- connection made of high-quality stainless steel, satin finished
- fulfils the requirements acc. to DIN 18040 and ÖNORM B 1600/1601

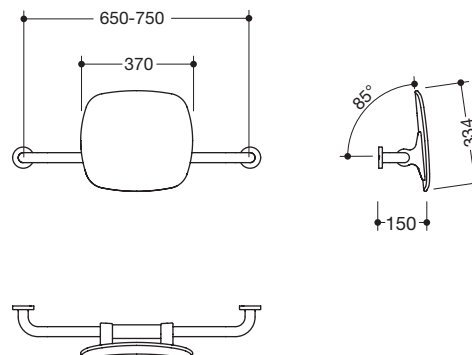
**Attention:** Fixing material for backrest rail BM1...2.1 to be ordered separately according to the table (see page 429)

If the backrest rail is to be mounted individually, use version 805.51...916 with roses (see below).  
Supplied only with HEWI fixing material.



805.51.916

- ☑ Rails
- ☑ ■ ■ Backrest

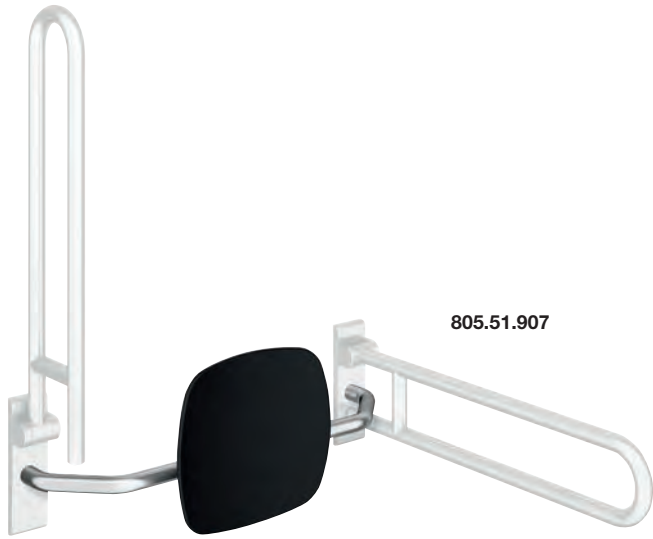


**HEWI Backrest rail**

- padded backrest with a right-angled mounting bar on each side and rose fixings
- wall mounting with roses
- c to c from 650 - 750 mm, adjustable on site
- 150 mm deep, rails ø 33 mm, roses ø 70 mm
- backrest 370 mm wide and 334 mm high
- backrest made of synthetic material in HEWI colours 98 (signal white), 92 (anthracite grey) and 90 (jet black)
- connection made of high-quality stainless steel, satin finished
- fulfils the requirements acc. to DIN 18040 and ÖNORM B 1600/1601
- supplied with fixing material BM211 see page 742

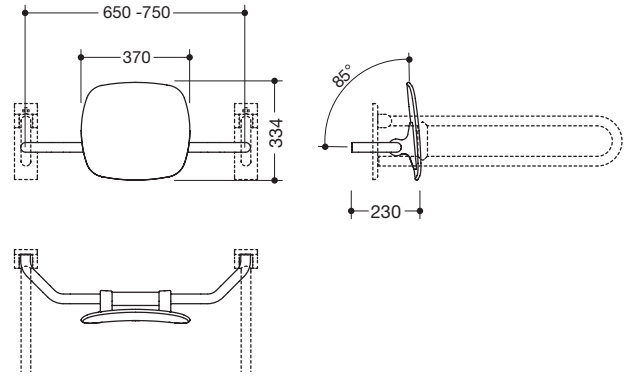
Item Number

Dimensions in mm / Specification



805.51.907

- ☑ Rails
- ☑ ■ ■ Backrest



**HEWI Backrest rail**

- with right-angled fixing rails on each side
- user-friendly wall distance of 230 mm
- mounting with hinged support rails of Range 805 Classic
- adjustable on site
- c to c from 650 - 750 mm
- 230 mm deep, rails ø 33 mm
- backrest 370 mm wide and 334 mm high
- backrest made of synthetic material in HEWI colours 98 (signal white), 92 (anthracite grey) and 90 (jet black)
- connection made of high-quality stainless steel, satin finished

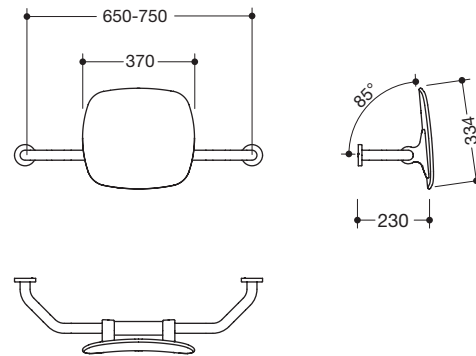
**Attention:** Fixing material for backrest rail BM1...2.1 to be ordered separately according to the table (see page 429)

If the backrest rail is to be mounted individually, use version 801.51...917 with roses (see below).  
Supplied only with HEWI fixing material.



805.51.917

- ☑ Rails
- ☑ ■ ■ Backrest



**HEWI Backrest rail**

- with right-angled fixing rails on each side and rose fixings
- user-friendly wall distance of 230 mm
- wall mounting with roses
- c to c from 650 - 750 mm, adjustable on site
- 230 mm deep, rails ø 33 mm, roses ø 70 mm
- backrest 370 mm wide and 334 mm high
- backrest made of synthetic material in HEWI colours 98 (signal white), 92 (anthracite grey) and 90 (jet black)
- connection made of high-quality stainless steel, satin finished
- supplied with fixing material BM211 see page 742

**HEWI Colours | Surfaces**

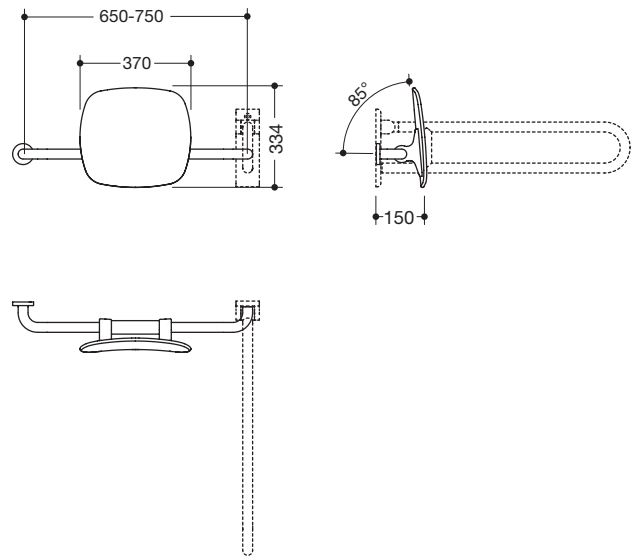
- ☑ 98 92 90 XA

Item Number

Dimensions in mm / Specification



Left handed version



**HEWI Backrest rail**

- padded backrest with right-angled fixing rails on each side and rose fixing on one side
- one-sided wall mounting with rose
- one-sided mounting on hinged support rail with wall mounting plate
- c to c from 650 - 750 mm, adjustable on site
- 150 mm deep, rails  $\varnothing$  33 mm, rose  $\varnothing$  70 mm
- backrest 370 mm wide and 334 mm high
- backrest made of synthetic material in HEWI colours 98 (signal white), 92 (anthracite grey) and 90 (jet black)
- connection made of high-quality stainless steel, satin finished
- fulfils the requirements acc. to DIN 18040 and ÖNORM B 1600/1601

**805.51.926R**

**right handed version** (from users point of view)

- rail right, rose left

**805.51.926L**

**left handed version**

- rail left, rose right

**Attention:** Fixing material for backrest rail BM1...2.2 on handle side order separately according to the table (see below right)

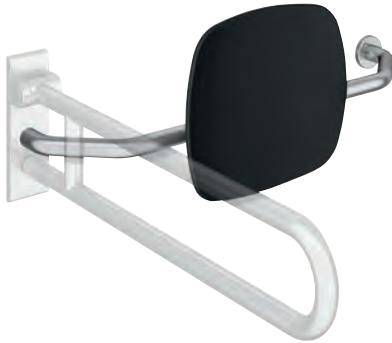
Supplied only with HEWI fixing material.

- Rails
- Backrest

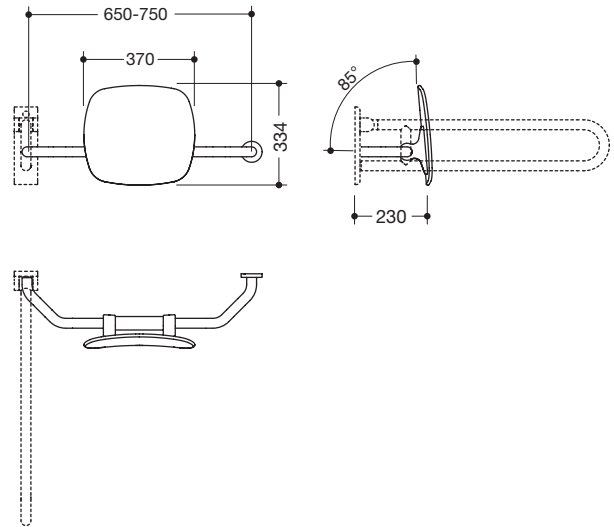


Item Number

Dimensions in mm / Specification



Right handed version



**HEWI Backrest rail**

- with right-angled fixing rails on each side and rose fixing on one side
- user-friendly wall distance of 230 mm
- one-sided wall mounting with rose
- one-sided mounting on hinged support rail with wall mounting plate
- c to c from 650 - 750 mm, adjustable on site
- 230 mm deep, rails ø 33 mm, rose ø 70 mm
- backrest 370 mm wide and 334 mm high
- backrest made of synthetic material in HEWI colours 98 (signal white), 92 (anthracite grey) and 90 (jet black)
- connection made of high-quality stainless steel, satin finished

**805.51.927R**

**right handed version** (from users point of view)

- rail right, rose left

**805.51.927L**

**left handed version**

- rail left, rose right

**Attention:** Fixing material for backrest rail BM1...2.2 on handle side order separately according to the table (see below)

Supplied only with HEWI fixing material.

- ☑ Rails
- ☑ ■ ■ Backrest

Range 805  
Classic

**Fixing material for backrest rail on hinged support rail page 741**

Hinged support rail	Backrest rail both sides (for 805.51.906, ...907)	Backrest rail one-sided (for 805.51.92...L/R)
BM10.2, BM17.2	<b>BM10.2.1</b>	<b>BM10.2.2</b>
BM11.2, BM18.2	<b>BM11.2.1</b>	<b>BM11.2.2</b>
BM12.2	<b>BM12.2.1</b>	<b>BM12.2.2</b>
BM13.2	<b>BM13.2.1</b>	<b>BM13.2.2</b>

**HEWI Colours | Surfaces**

- ☑ 98 92 90 ☑ XA

**Please note:** Not mountable on mobile hinged support rails.

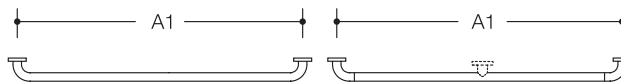
Item Number

Dimensions in mm / Specification



805.36.100  
805.36.110  
805.36.120  
805.36.130  
805.36.140  
805.36.150

805.36.1S



Only for 805.36.1S

**HEWI Support rail**

- 90 mm deep, rail  $\varnothing$  33 mm, tube thickness 2 mm, roses  $\varnothing$  70 mm
- made of high-quality stainless steel, satin finished
- supplied with fixing material BM211 see page 742

c to c 300 mm  
c to c 400 mm  
c to c 500 mm  
c to c 600 mm  
c to c 900 mm  
c to c 1100 mm

**HEWI Support rail, special length**

- from c to c A1 = 851 mm the support rail has a centrally positioned, additional wall mounting

c to c A	
220 mm - 535 mm	
536 mm - 850 mm	
851 mm - 1100 mm	

**Please note when using with removable hanging seats**

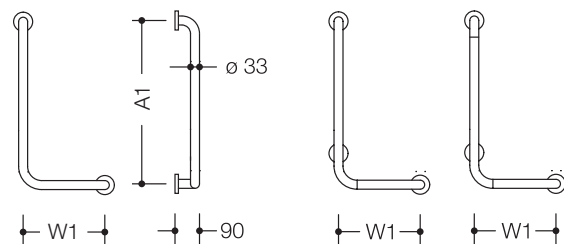
Compatibility check required. A detailed list of the possible combinations of support rails, L-shaped support rails and shower head rails with matching removable hanging seats can be found in our online catalogue in the download area of the respective product.

Please advise A1 when ordering.



Right handed version

805.22.1S



For 805.22.130.., Only for 805.22.140.. 805.22.1S

**HEWI L-shaped support rail**

- 90 mm deep, rails  $\varnothing$  33 mm, tube thickness 2 mm, roses  $\varnothing$  70 mm
- made of high-quality stainless steel, satin finished
- upgrade kit toilet roll holder 805.50.015 can be retrofitted s. page 423
- supplied with fixing material BM211 see page 742

c to c	right handed version	left handed version
A1 = 600 mm, W1 = 300 mm, no 3rd support	805.22.100R	805.22.100L
A1 = 900 mm, W1 = 400 mm	805.22.110R	805.22.110L
A1 = 750 mm, W1 = 500 mm	805.22.130R*	805.22.130L*
A1 = 1000 mm, W1 = 500 mm	805.22.140R**	805.22.140L**

**HEWI L-shaped support rail, special length**

W1	300 - 575 mm	576 - 850 mm
A1		
	600 mm - 850 mm	
	851 mm - 1100 mm	

Please advise A1 and W1 and right/left handed version when ordering.

\* fulfils ÖNORM B 1600/1601  
\*\*fulfils SIA 500

805.35.E01  
805.35.E02  
921057

**HEWI Rose cap**  
**HEWI Rose cap, divided**  
**HEWI Cap**

Item Number

Dimensions in mm / Specification

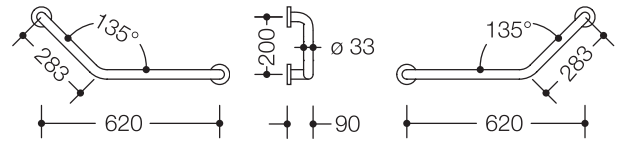


Right handed version

805.22.200R  
805.22.200L



805.35.E01



Left handed version

**HEWI L-shaped support rail**

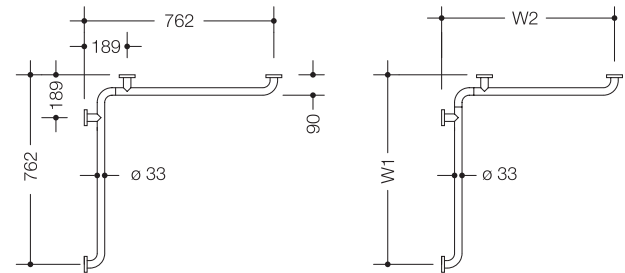
- c to c 620 mm and 200 mm, angle 135°
- 90 mm deep, rails  $\varnothing$  33 mm, tube thickness 2 mm, roses  $\varnothing$  70 mm
- made of high-quality stainless steel, satin finished
- supplied with fixing material BM211 see page 742
- upgrade kit toilet roll holder 805.50.015 can be retrofitted, see page 423

right handed version  
left handed version

**HEWI Rose cap**



805.35.110



Only for  
805.35.1S

**HEWI Support grab rail**

- horizontal lengths W1/W2 762 mm each
- 90 mm deep, rails  $\varnothing$  33 mm, tube thickness 2 mm, roses  $\varnothing$  70 mm
- suitable for all HEWI removable hanging seats  $\varnothing$  33 mm
- made of high-quality stainless steel, satin finished
- supplied with fixing material BM211 see page 742

805.35.1S

**HEWI Support grab rail, special lengths**

- from a horizontal length of W1/W2 = 1200 mm the shower grab rail has a centrally positioned, additional wall mounting

W1/W2
475 mm - 799 mm
800 mm - 1199 mm
1200 mm - 1499 mm
1500 mm - 1800 mm

**Please note when using with removable hanging seats**

Compatibility check required. A detailed list of the possible combinations of support rails, L-shaped support rails and shower head rails with matching removable hanging seats can be found in our online catalogue in the download area of the respective product.

Please advise W1 and W2 when ordering.

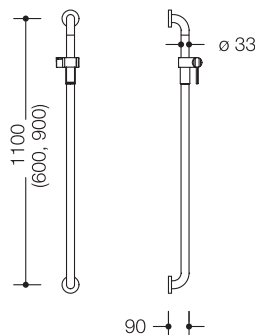
**HEWI Colours | Surfaces**

XA

Sealing discs to seal the fixing points and shims to compensate for tile misalignment are available separately, see page 435  
Detailed information about the spare parts can be found here:  
[www.hewi.com/en/spare-parts](http://www.hewi.com/en/spare-parts)

Item Number

Dimensions in mm / Specification



- 805.33.100
- 805.33.110
- 805.33.120
- 805.33.1S
- 805.33.1S

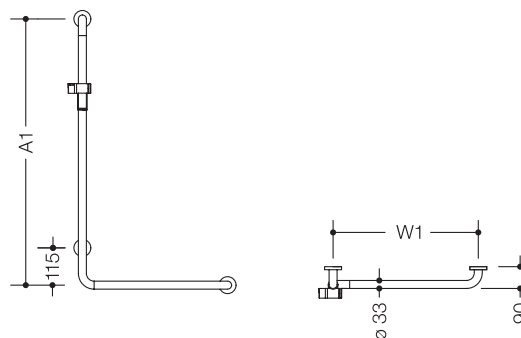
**HEWI Rail with shower head holder**

- 90 mm deep, rail  $\varnothing$  33 mm, tube thickness 2 mm, roses  $\varnothing$  70 mm
- made of high-quality stainless steel, satin finished
- shower head holder continuously adjustable, polyamide in HEWI colours 98 (signal white), 99 (pure white), 92 (anthracite grey) or 90 (jet black)
- supplied with fixing material BM211 see page 742

- c to c = 600 mm
- c to c = 900 mm
- c to c = 1100 mm
- vertical length = 600 - 925 mm
- vertical length = 926 - 1250 mm

Please advise colour resp. c to c when ordering.

Shower head holder



- 805.33.210R
- 805.33.210L
- 805.33.220R
- 805.33.220L

**HEWI L-shaped support rail with shower head holder**

- horizontal length 600 mm
- 90 mm deep, rails  $\varnothing$  33 mm, tube thickness 2 mm, roses  $\varnothing$  70 mm
- suitable for all HEWI removable hanging seats  $\varnothing$  33 mm
- made of high-quality stainless steel, satin finished
- shower head holder continuously adjustable, polyamide in HEWI colours 98 (signal white), 99 (pure white), 92 (anthracite grey) or 90 (jet black)
- supplied with fixing material BM211 see page 742

- right handed version, vertical length A1 = 1100 mm
- left handed version, vertical length A1 = 1100 mm
- right handed version, vertical length A1 = 1250 mm
- left handed version, vertical length A1 = 1250 mm

805.33.2S

**HEWI L-shaped support rail w. shower head holder, special lengths**

	W1	300 - 575 mm	576 - 850 mm
A1			
600 mm - 925 mm			
926 mm - 1250 mm			

**Please note when using with removable hanging seats**

Compatibility check required. A detailed list of the possible combinations of support rails, L-shaped support rails and shower head rails with matching removable hanging seats can be found in our online catalogue in the download area of the respective product.

Please advise colour, A1 and W1 when ordering.

Right handed version

Shower head holder

- 805.33.E01
- 805.35.E01
- 805.35.E02
- 921057

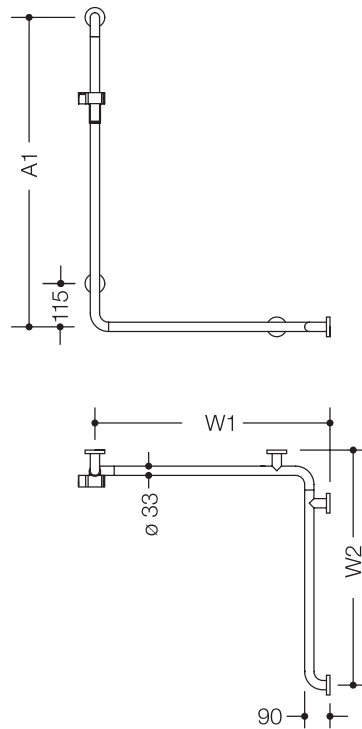
- HEWI Shower head holder
- HEWI Rose cap
- HEWI Rose cap, divided
- HEWI Cap

Item Number

Dimensions in mm / Specification



Right handed version



**HEWI Rail with vertical support bar and shower head holder**

- horizontal lengths W1/W2 762 mm each
- 90 mm deep, rails  $\varnothing$  33 mm, tube thickness 2 mm, roses  $\varnothing$  70 mm
- made of high-quality stainless steel, satin finished
- shower head holder continuously adjustable, made of high-quality polyamide in HEWI colours 98 (signal white), 99 (pure white), 92 (anthracite grey) or 90 (jet black)
- supplied with fixing material BM211 see page 742

- 805.35.210R
- 805.35.210L
- 805.35.220R
- 805.35.220L

- right handed version, vertical length A1 = 1100 mm
- left handed version, vertical length A1 = 1100 mm
- right handed version, vertical length A1 = 1250 mm
- left handed version, vertical length A1 = 1250 mm
- do., horizontal lengths W1 = 762 mm, W2 = 962 mm (accord. to ÖNORM)
- right handed version, vertical length A1 = 1100 mm
- left handed version, vertical length A1 = 1100 mm
- right handed version, vertical length A1 = 1250 mm
- left handed version, vertical length A1 = 1250 mm

- 805.35.230R
- 805.35.230L
- 805.35.240R
- 805.35.240L

Please advise colour when ordering.

**805.35.21S**

**HEWI Rail with vertical support bar and shower head holder, special lengths**

- from a horizontal length of W1/W2 = 1200 mm the shower grab rail has a centrally positioned, additional wall mounting

	W1/W2	475 - 1199 mm	1200 - 1800 mm
A1			
600 mm - 925 mm			
926 mm - 1250 mm			

**Please note when using with removable hanging seats**

Compatibility check required. A detailed list of the possible combinations of support rails, L-shaped support rails and shower head rails with matching removable hanging seats can be found in our online catalogue in the download area of the respective product.

Please advise colour, A1, W1 and W2 when ordering.

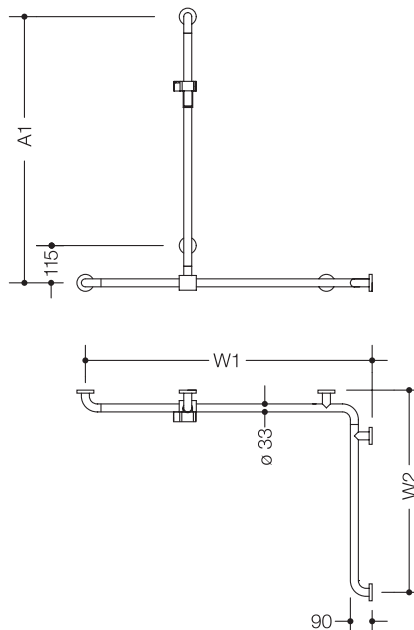
- ☐ Shower head holder

**HEWI Colours | Surfaces**

- 98 99 92 90 XA

Sealing discs to seal the fixing points and shims to compensate for tile misalignment are available separately, see page 435

Detailed information about the spare parts can be found here: [www.hewi.com/en/spare-parts](http://www.hewi.com/en/spare-parts)



**HEWI Rail with sideways adjustable vertical support bar and shower head holder**

- can be mounted in left hand or right hand position
- with vertical rail with shower head holder that can be moved to the side (for installation)
- 90 mm deep, rails  $\varnothing$  33 mm, tube thickness 2 mm, roses  $\varnothing$  70 mm
- made of high-quality stainless steel, satin finished
- shower head holder continuously adjustable, made of high-quality polyamide in HEWI colours 98 (signal white), 99 (pure white), 92 (anthracite grey) or 90 (jet black)
- supplied with fixing material BM211 see page 742
- A1 = 1100 mm, W1 = 1185 mm, W2 = 762 mm
- A1 = 1100 mm, W1/W2 = 762 mm
- A1 = 1250 mm, W1 = 1185 mm, W2 = 762 mm
- A1 = 1250 mm, W1/W2 = 762 mm
- A1 = 1100 mm, W1/W2 = 962 mm (according to ÖNORM)
- A1 = 1250 mm, W1/W2 = 962 mm (according to ÖNORM)

Please advise colour when ordering.

**HEWI Rail with vertical support bar and shower head holder, special lengths**

	W1/W2	475 - 1199 mm	1200 - 1800 mm
A1			
600 mm - 925 mm			
926 mm - 1250 mm			

**Please note when using with removable hanging seats**

Compatibility check required. A detailed list of the possible combinations of support rails, L-shaped support rails and shower head rails with matching removable hanging seats can be found in our online catalogue in the download area of the respective product.

Please advise colour, A1, W1 and W2 when ordering.

A1 can only be fixed with W1.

☒ ☐ ■ Shower head holder

- 805.35.300
- 805.35.310
- 805.35.320
- 805.35.330
- 805.35.340
- 805.35.350

805.35.3S

- 805.33.E01
- 805.35.E01
- 805.35.E02
- 921057

- HEWI Shower head holder
- HEWI Rose cap
- HEWI Rose cap, divided
- HEWI Cap

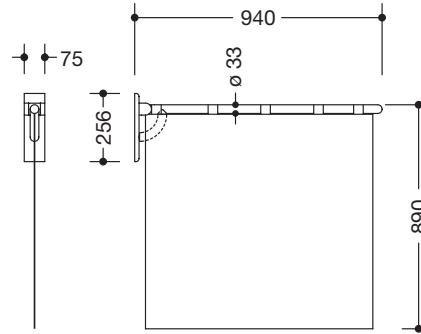
Sealing discs to seal the fixing points and shims to compensate for tile misalignment are available separately, see right  
Detailed information about the spare parts can be found here:  
[www.hewi.com/en/spare-parts](http://www.hewi.com/en/spare-parts)

Item Number

Dimensions in mm / Specification



Drill hole



805.52.20030

**HEWI Shower spray guard**

- can be folded upwards and, with friction device, downwards
- wall mounting plate made of high-quality polyamide with integrated steel insert and stainless steel cover
- covered, non-corrosive and tested HEWI fixing material for different wall constructions
- sealing tape for sealing the fixing points included in delivery
- shower spray guard curtain
  - with seamed side edges, bottom edge with stainless steel roll seam
  - held in place on rail with Velcro fasteners
  - washable at 40 °C and disinfectable at 60 °C
  - microbial and bacterial resistant
  - with antimicrobial finish based on silver
  - 850 mm high and 880 mm wide or to order
  - shower proof, antistatic, made of 100 % Trevira CS in in white pattern
  - fire retardant to DIN 4102/B1
- rail 940 mm long, ø 33 mm, total height with curtain 967 mm
- wall plate 75 mm wide, 256 mm high
- made of high-quality stainless steel, satin finished



801.52.010...

**HEWI Shower spray guard curtain** see register Range 801 page 163

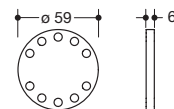
**Fixing material for shower spray guard to be ordered separately page 738**

for fixing on walls made of:

- BM17.2**
- BM10.2**
- BM11.2**
- BM12.2**
- BM13.2**
- BM18.2**

- concrete > C20/C25, national technical approval number: ETA-11/0493
- concrete > C20/C25
- autoclaved aerated concrete (> P2)
- lightweight walls with rear lining made of laminated timber boards ...
- lightweight walls with integrated steel plates ...
- hollow concrete block, vertically perforated bricks, solid bricks, ..., national technical approval number: ETA-13/1036

Range 805  
Classic

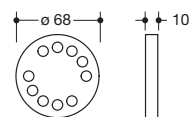


**HEWI Tight round plate**

- for additional sealing of the drilling points
- sealing for joint cross and tile offset

66779  
71176  
71177

- packing unit = 10 pcs.
- packing unit = 50 pcs.
- packing unit = 100 pcs.



510640

**HEWI Compensating washer**

- made of stainless steel, satin finished, to compensate for a tile offset

**HEWI Colours | Surfaces**

- 98 99 92 90 XA

## System 162

### PRODUCT CHARACTERISTICS

- System 162 comprises sanitary accessories as well as door lever handles and enables a consistently purist design for the sanitary room
- An impressive design element is the mitre cut
- Material options provide design freedom
- System 162 is the perfect combination of hygienic, easy to clean surface areas, reliable functionality and durable, long-term quality

### RECOMMENDED APPLICATION AREAS

System 162 chrome/powder: Home, Hotel; System 162 stainless steel: Public





# System 162

## DESIGN

NOA Produktdesign, Aachen

## MATERIAL AND SURFACES

High-quality chrome-plated or made of stainless steel, satin finished or powder-coated. Inserts made of satin glass or polyamide in colours 98 (signal white), 99 (pure white), 92 (anthracite grey) or 90 (jet black).

## ACCESSORIES

Product range	438
Basin area	441 – 444
Toilet area	445 – 447
Shower and bath area	447 – 449

## ACCESSIBILITY

Product range WARM TOUCH	439
--------------------------	-----



**SURFACES**

- Chrome
- Stainless steel, satin finished (XA)
- ...60 DX powder-coated matt white (RAL 9003)
- ...60 SC powder-coated matt dark grey pearl mica
- ...60 DC powder-coated matt black (RAL 9005)

**ACCESSORIES**



**Tumbler with holder**  
162.04.110... page 441

- Holder
- Tumbler



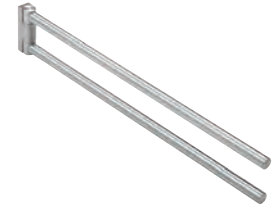
**Soap dispenser with holder**  
162.06.11... page 442  
900.06.00...60 page 442

- Holder
- Soap dispenser
- Holder, pump head
- Soap dispenser



**Shelf**  
162.03.1005... | 450 mm page 443  
162.03.11... | 600 mm page 443

- Holder
- Shelf



**Towel rail**  
162.09.100... page 443  
162.09.110... page 443

- 



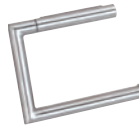
**Towel rail**  
162.30.100... page 444

- 



**Hook | Double hook**  
162.90.010... page 444  
162.90.030... page 444

- 



**Toilet roll holder**  
162.21.100... page 445

- 



**New Toilet roll holder with shelf**  
162.21.110... page 445

- 



**Toilet roll holder, double**  
162.21.200... page 445

- 



**Spare roll holder**  
162.21.300... page 446

- 



**Toilet brush unit | Toilet brush**  
162.20.100... page 446

- 



**Rail with shower head holder**  
162.33.10040 page 447

- 



**Support rail**  
162.36.10040 page 448  
162.36.20040 page 448

- 



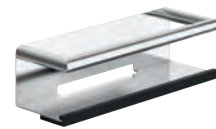
**Bath towel rail**  
162.30.200... page 448  
162.30.201... page 448

- 



**Bath towel shelf**  
162.30.11040 page 449  
950.30.110... page 449

- 



**Shower shelf**  
162.03.200... page 449

-

- ☑ 98 (signal white)    □ Satin crystal glass
- 99 (pure white)
- 92 (anthracite grey)
- 90 (jet black)

**MATCHING PRODUCTS**

System 162 can be supplemented with the following products.

The new black accessories can be combined with powder-coated products from System 900.



**Hinged support rail Mono | mobile**  
950.50.11..50 | 600 mm p. 344, 345

WARM TOUCH\*



**Hinged support rail Duo | mobile**  
950.50.12..50 | 700 mm p. 344, 345  
950.50.13..50 | 850 mm p. 344, 345  
950.50.14050 | 900 mm page 344

WARM TOUCH\*



**Support rail**  
950.36.1..50 page 348

WARM TOUCH\*



**L-shaped support rail**  
950.22.20050 page 348

WARM TOUCH\*



**L-shaped support rail**  
950.22.1..50 page 348

WARM TOUCH\*



**Support grab rail**  
950.35.11050 page 349

WARM TOUCH\*



**Rail with shower head holder**  
950.33.1..5.. page 349

WARM TOUCH\*



**L-shaped support rail with shower head holder**  
950.33.2..5.. page 350

WARM TOUCH\*



**Hinged seat**  
950.51.22... page 528  
950.51.42... | mobile page 528



**Shower stool | Bath chair**  
950.51.3... from page 523



**Universal products** from page 691



**Universal products** from page 691



**Fittings** from page 569



**Washbasins** from page 589



**Mirrors** from page 641



**Dispenser products** from page 655

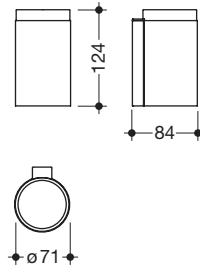
\*WARM TOUCH: chrome-look coated polyamide

# System 162 Accessories



Item Number

Dimensions in mm / Specification



**HEWI Tumbler with holder**

- cylindrical wall holder made of metal, high-quality chrome-plated
- with protective film on the inside for a secure, defined position and to protect the insert from damage
- for wall mounting, concealed fixing
- ø 71 mm, 124 mm high and 84 mm deep
- including non-corrosive HEWI fixing material

162.04.11040

- cylindrical tumbler made of high-quality polyamide in HEWI colours 90 (jet black), 92 (anthracite grey), 98 (signal white), 99 (pure white)

162.04.110540

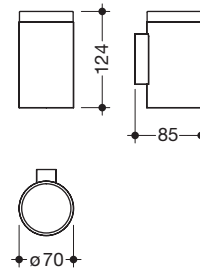
- cylindrical tumbler made of high-quality, satin crystal glass

Holder  
     Tumbler

800.04.010

**HEWI Tumbler, polyamide**

**HEWI Glass tumbler**



**HEWI Tumbler with holder**

- cylindrical wall holder made of high-quality stainless steel
- with protective film on the inside for a secure, defined position and to protect the insert from damage
- for wall mounting, concealed fixing
- ø 70 mm, 124 mm high and 85 mm deep
- including non-corrosive HEWI fixing material

162.04.110XA

- satin finished
- cylindrical tumbler made of high-quality polyamide in HEWI colours 90 (jet black), 92 (anthracite grey), 98 (signal white), 99 (pure white)

162.04.1105XA

- satin finished
- cylindrical tumbler made of high-quality, satin crystal glass

Holder  
     Tumbler

162.04.11060

- powder-coated in HEWI colour AS (matt white) with tumbler made of matt white polyamide or powder-coated in HEWI colours ER (matt dark grey pearl mica) and CV (matt black) with tumbler made of matt black polyamide

900.04.00060

- powder-coated in HEWI colours DX (matt white), SC (matt dark grey pearl mica) and DC (matt black)
- cylindrical tumbler made of high-quality, satin crystal glass

Holder  
     Tumbler

800.04.010

**HEWI Tumbler, polyamide**

**HEWI Tumbler, polyamide, matt**

**HEWI Glass tumbler**

**HEWI Colours | Surfaces**

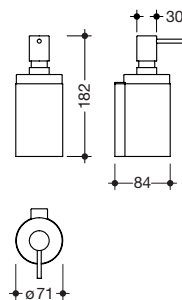
98 99 92 90  
   Chr XA Glass  
    ...60 DX matt white  
    ...60 SC matt dark grey pearl mica  
    ...60 DC matt black

**HEWI Powder coating | Material combinations with synthetic material**

...60 AS matt white | polyamide signal white matt  
  ...60 ER matt dark grey pearl mica | polyamide jet black matt  
  ...60 CV matt black | polyamide jet black matt

Item Number

Dimensions in mm / Specification



**HEWI Soap dispenser with holder**

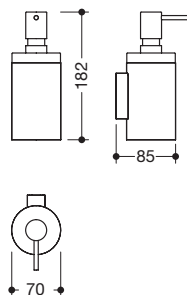
- to be filled with standard liquid soap, disinfectants and gels
- cylindrical wall holder made of metal, high-quality chrome-plated
- with protective film on the inside for a secure, defined position and to protect the insert from damage
- with pump made of metal, high-quality chrome-plated
- ø 71 mm, 182 mm high and 84 mm deep, incl. pump
- capacity ca. 200 ml, for wall mounting, concealed fixing
- including non-corrosive HEWI fixing material

162.06.11040

- soap dispenser made of high-quality polyamide in HEWI colours 90 (jet black), 92 (anthracite grey), 98 (signal white) or 99 (pure white)
- soap dispenser made of high-quality, satin crystal glass

- Holder, pump head
- Soap dispenser

162.06.110540



**HEWI Soap dispenser with holder**

- to be filled with standard liquid soap, disinfectants and gels
- cylindrical wall holder made of high-quality stainless steel
- with protective film on the inside for a secure, defined position and to protect the insert from damage
- pump head in stainless steel look, capacity ca. 200 ml
- ø 70 mm, 182 mm high and 85 mm deep, incl. pump
- for wall mounting, concealed fixing
- including non-corrosive HEWI fixing material

- Holder, pump head
- Soap dispenser

- satin finished
- soap dispenser made of high-quality polyamide in HEWI colours 90 (jet black), 92 (anthracite grey), 98 (signal white) or 99 (pure white)

162.06.110XA

- satin finished
- soap dispenser made of high-quality, satin crystal glass

162.06.1105XA



- Holder, pump head
- Soap dispenser

- pump head in matt black
- powder-coated in HEWI colour DC (matt black)
- soap dispenser made of high-quality, satin crystal glass

**New** 162.06.11165



- Pump head
- Holder
- Soap dispenser

- do., pump head high-quality chrome-plated
- powder-coated in HEWI colour AS (matt white) with soap dispenser made of matt white polyamide or powder-coated in HEWI colours ER (matt dark grey pearl mica) and CV (matt black) with soap dispenser made of matt black polyamide

900.06.00160

- powder-coated in HEWI colours DX (matt white), SC (matt dark grey pearl mica) and DC (matt black)
- soap dispenser made of high-quality, satin crystal glass

900.06.00060

Detailed information about the spare parts can be found here: [www.hewi.com/en/spare-parts](http://www.hewi.com/en/spare-parts)

800.06.E02  
67738  
800.06.E01  
815.06.E01  
100.03.E02  
162.06.E01  
63907, 63910  
950.06.E02

**HEWI Container for soap dispenser, polyamide (System 162)**  
**HEWI Container for soap dispenser, polyamide, matt (System 900)**  
**HEWI Glass container (System 162)**  
**HEWI Glass container (System 900)**  
**HEWI Pump head, chrome-plated (System 162)**  
**HEWI Pump head, satin finished (System 162)**  
**HEWI Pump head, chrome-plated (for 900.06.00160, 900.06.00060)**  
**HEWI Pump head, matt black**

Item Number

Dimensions in mm / Specification



- Holder
- Shelf



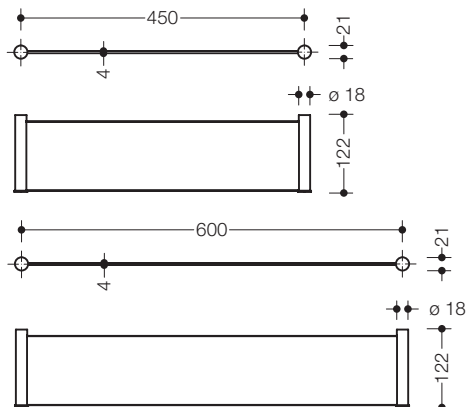
- Holder
- Shelf



- Holder
- Shelf

162.03.1105XA  
162.03.110540  
162.03.11560

162.03.1005XA  
162.03.100540



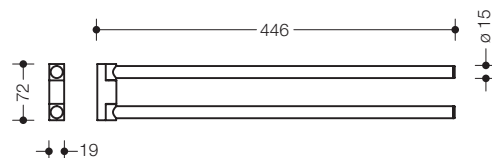
**HEWI Shelf**

- consisting of two holding elements and glass shelf
- holder made of high-quality stainless steel  $\varnothing$  18 mm
- shelf made of glass (4 mm), matt sandblasted underside
- c to c 600 mm, 122 mm deep
- for wall mounting, concealed fixing
- not suitable for use in the shower
- including non-corrosive HEWI fixing material
- satin finished
- chrome-plated
- powder-coated in HEWI colours DX (matt white), SC (matt dark grey pearl mica) and DC (matt black)
- do., c to c 450 mm
- satin finished
- chrome-plated



- Holder
- Shelf

162.09.100XA  
162.09.10040  
162.09.10060

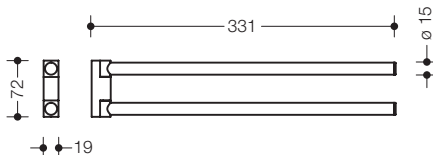


**HEWI Towel rail**

- towel rail with two cylindrical arms arranged above each other
- the arms can be swung to the side separately
- made of high-quality stainless steel
- 446 mm long, 72 mm high, arms  $\varnothing$  15 mm
- for wall mounting, concealed fixing
- including non-corrosive HEWI fixing material
- satin finished
- chrome-plated
- powder-coated in HEWI colours DX (matt white), SC (matt dark grey pearl mica) and DC (matt black)

- Holder
- Shelf

162.09.110XA  
162.09.11040



**HEWI Towel rail**

- do., 331 mm long
- satin finished
- chrome-plated

**HEWI Colours | Surfaces**

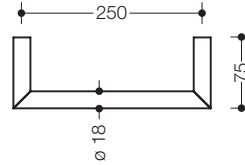
- 98
- 99
- 92
- 90
- Chr
- XA
- Glass
- ...60 DX matt white
- ...60 SC matt dark grey pearl mica
- ...60 DC matt black

**HEWI Powder coating | Material combinations with synthetic material**

- ...60 AS matt white | polyamide signal white matt
- ...60 ER matt dark grey pearl mica | polyamide jet black matt
- ...60 CV matt black | polyamide jet black matt

Item Number

Dimensions in mm / Specification

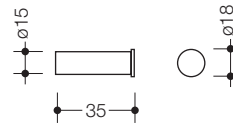


**HEWI Towel rail**

- towel rail made of a mitred tube
- made of high-quality stainless steel
- c to c 250 mm, 75 mm deep, ø 18 mm
- for wall mounting, concealed fixing
- including non-corrosive HEWI fixing material

162.30.100XA  
162.30.10040  
162.30.10060

- satin finished
- chrome-plated
- powder-coated in HEWI colours DX (matt white), SC (matt dark grey pearl mica) and DC (matt black)

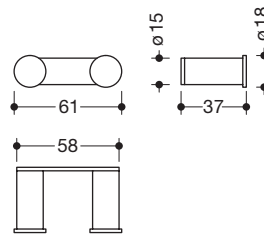
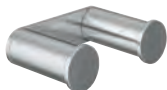


**HEWI Single hook**

- cylindrical hook
- made of high-quality stainless steel
- 35 mm long, ø 18 mm
- for wall mounting, concealed fixing
- including non-corrosive HEWI fixing material (BM1221, see register Fixings page 743)

162.90.010XA  
162.90.01040  
162.90.01060

- satin finished
- chrome-plated
- powder-coated in HEWI colours DX (matt white), SC (matt dark grey pearl mica) and DC (matt black)



**HEWI Double hook**

- double hook with two cylindrical hook elements
- made of high-quality stainless steel
- 61 mm wide, 18 mm high, 37 mm deep
- for wall mounting, concealed fixing
- including non-corrosive HEWI fixing material

162.90.030XA  
162.90.03040  
162.90.03060

- satin finished
- chrome-plated
- powder-coated in HEWI colours DX (matt white), SC (matt dark grey pearl mica) and DC (matt black)



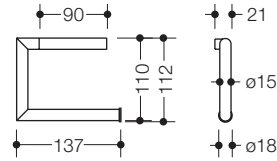


Item Number

Dimensions in mm / Specification



**162.21.100XA**  
**162.21.10040**  
**162.21.10060**

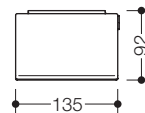
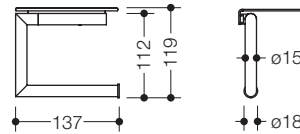


**HEWI Toilet roll holder**

- U-shaped holder, mitred, opened to the right
- hinged
- made of high-quality stainless steel
- 137 mm wide, 110 mm high,  $\varnothing$  15 mm
- for wall mounting, concealed fixing
- including non-corrosive HEWI fixing material (BM1220, see register Fixings page 743)
- satin finished
- chrome-plated
- powder-coated in HEWI colours DX (matt white), SC (matt dark grey pearl mica) and DC (matt black)



**New 162.21.110XA**  
**New 162.21.11040**  
**New 162.21.11060**

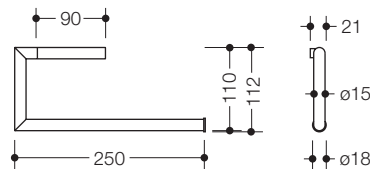


**HEWI Toilet roll holder with shelf**

- U-shaped holder, mitred with shelf, opened to the right, hinged
- made of high-quality stainless steel
- 137 mm wide, 119 mm high,  $\varnothing$  15 mm
- shelf 135 mm wide, 92 mm deep
- for wall mounting, concealed fixing
- including non-corrosive HEWI fixing material (BM1220, see register Fixings page 743)
- satin finished
- chrome-plated
- powder-coated in HEWI colours DX (matt white), SC (matt dark grey pearl mica) and DC (matt black)



**162.21.200XA**  
**162.21.20040**



**HEWI Toilet roll holder, double**

- U-shaped holder, mitred for 2 toilet rolls, opened to the right
- hinged
- 250 mm wide, 110 mm high,  $\varnothing$  15 mm
- for wall mounting, concealed fixing
- including non-corrosive HEWI fixing material (BM1220, see register Fixings page 743)
- made of high-quality stainless steel, satin finished
- made of stainless steel, high-quality chrome-plated

**HEWI Surfaces**

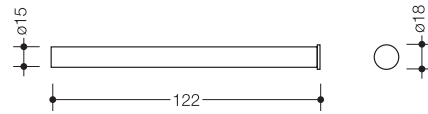
- ▣ ...60 DX matt white
- ▣ XA Chr ...60 SC matt dark grey pearl mica
- ▣ ...60 DC matt black

Item Number

Dimensions in mm / Specification



**162.21.300XA**  
**162.21.30040**  
**162.21.30060**



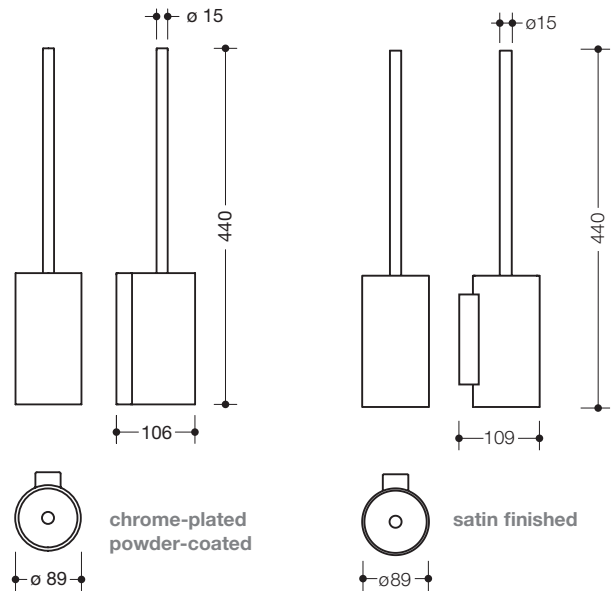
**HEWI Spare roll holder**

- cylindrical holder
- 122 mm long,  $\varnothing$  15 mm
- for wall mounting, concealed fixing
- including non-corrosive HEWI fixing material (BM1221, see register Fixings page 743)
- made of stainless steel, satin finished
- made of stainless steel, high-quality chrome-plated
- made of stainless steel, powder-coated in HEWI colours DX (matt white), SC (matt dark grey pearl mica) and DC (matt black)



**162.20.100XA**  
**162.20.10040**  
**162.20.10060**

**162.20.E01**



**HEWI Toilet brush unit**

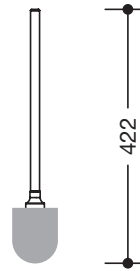
- brush head can be replaced due to bayonet fixing
- inner container can be removed for cleaning
- $\varnothing$  89 mm, 440 mm high
- for wall mounting, concealed fixing
- including non-corrosive HEWI fixing material
- made of high-quality stainless steel, satin finished, 109 mm deep
- made of metal, high-quality chrome-plated, 106 mm deep
- made of metal, powder-coated in HEWI colours DX (matt white), SC (matt dark grey pearl mica) and DC (matt black), 106 mm deep

**HEWI Insert for toilet brush unit**

Detailed information about the spare parts can be found here:  
[www.hewi.com/en/spare-parts](http://www.hewi.com/en/spare-parts)

Item Number

Dimensions in mm / Specification



**805.20.020**  
**100.20.01040**  
**900.20.01060**

**HEWI Toilet brush**

- brush handle with replaceable brush head
- brush head easily replaceable by bayonet fixing
- 422 mm long, ø 76 mm

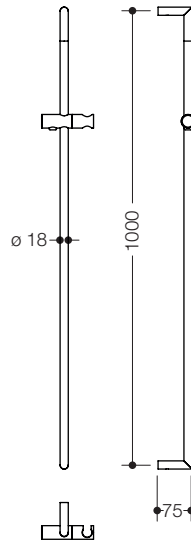
- brush handle made of high-quality stainless steel, satin finished
- brush handle chrome-plated
- brush handle powder-coated in HEWI colours DX (matt white), SC (matt dark grey pearl mica) and DC (matt black)

**921050**  
**921051**  
**921052**

**HEWI Brush head, packing unit 1**

**HEWI Brush head, packing unit 5**

**HEWI Brush head, packing unit 25**



**162.33.10040**

**HEWI Rail with shower head holder**

- made of a mitred tube
- c to c 1000 mm, 75 mm deep, ø 18 mm
- suitable for various manufacturers' shower heads
- made of metal, high-quality chrome-plated
- for wall mounting, concealed fixing
- including non-corrosive HEWI fixing material



**HEWI Surfaces**

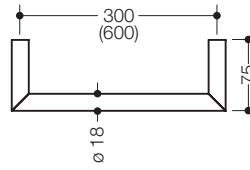
- XA Chr ...60 DX matt white
- ...60 SC matt dark grey pearl mica
- ...60 DC matt black

**950.33.E03...**  
**950.33.E05...**  
**950.33.E07...**

- HEWI Handspray** see Universal products page 702
- HEWI Shower hose** see Universal products page 703
- HEWI Shower set** see Universal products page 704

Item Number

Dimensions in mm / Specification



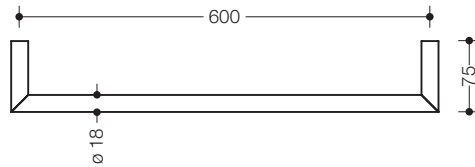
**HEWI Support rail**

- made of a mitred tube
- made of stainless steel, high-quality chrome-plated
- 75 mm deep,  $\varnothing$  18 mm
- for wall mounting, concealed fixing
- including non-corrosive HEWI fixing material



162.36.10040  
162.36.20040

- c to c 300 mm
- c to c 600 mm



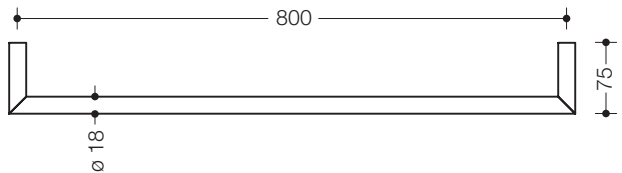
**HEWI Bath towel rail**

- made of a mitred tube
- made of high-quality stainless steel
- c to c 600 mm, 75 mm deep,  $\varnothing$  18 mm
- for wall mounting, concealed fixing
- including non-corrosive HEWI fixing material



162.30.200XA  
162.30.20040  
162.30.20060

- satin finished
- chrome-plated
- powder-coated in HEWI colours DX (matt white), SC (matt dark grey pearl mica) and DC (matt black)



**HEWI Bath towel rail**

- made of a mitred tube
- made of high-quality stainless steel
- c to c 800 mm, 75 mm deep,  $\varnothing$  18 mm
- for wall mounting, concealed fixing
- including non-corrosive HEWI fixing material



162.30.201XA  
162.30.20140  
162.30.20160

- satin finished
- chrome-plated
- powder-coated in HEWI colours DX (matt white), SC (matt dark grey pearl mica) and DC (matt black)

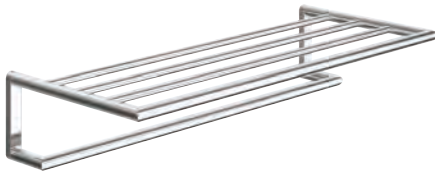


**HEWI Surfaces**

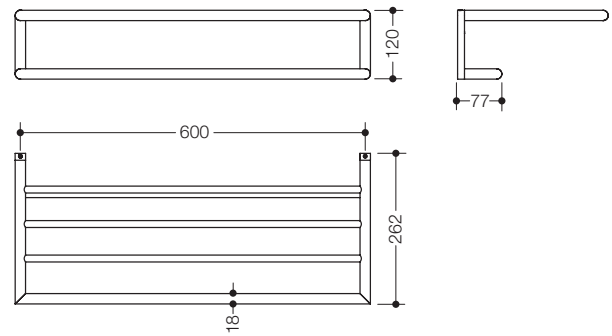
- 
- ...60 DX matt white
- ...60 SC matt dark grey pearl mica
- ...60 DC matt black

Item Number

Dimensions in mm / Specification

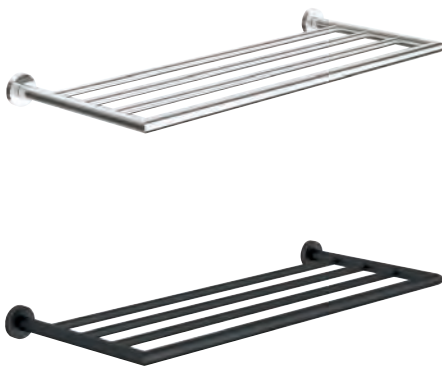


**162.30.11040**

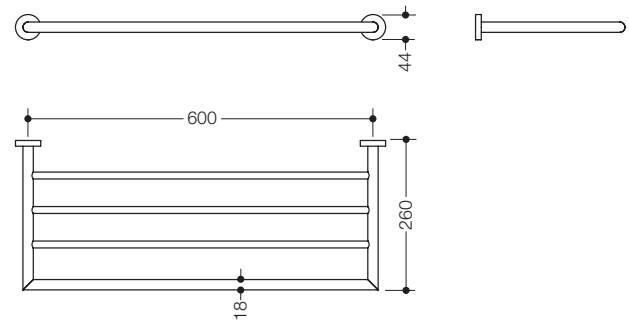


**HEWI Bath towel shelf**

- bath towel shelf with towel rail, mitred
- made of metal, high-quality chrome-plated,  $\varnothing$  18 mm
- c to c 600 mm, 618 mm wide, 120 mm high and 262 mm deep
- towel rail on lower level, 77 mm projection
- for wall mounting, concealed fixing
- including non-corrosive HEWI fixing material

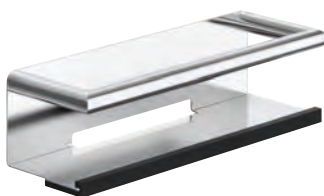


**950.30.11040**  
**950.30.11001**

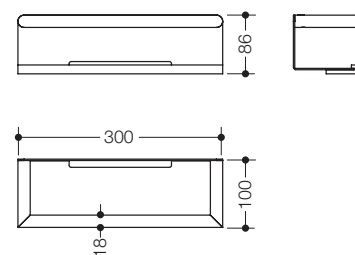


**HEWI Bath towel shelf**

- made of brass tube, mitred joined
- c to c 600 mm, 618 mm wide, 260 mm deep, tube  $\varnothing$  18 mm
- for wall mounting, concealed fixing
- including non-corrosive HEWI fixing material
- high-quality chrome-plated
- matt black coated



**162.03.20040**  
**162.03.20060**



**HEWI Shower shelf**

- mitred joined
- made of stainless steel tube,  $\varnothing$  18 mm
- for wall mounting, concealed fixing
- with drain openings for water drainage
- 300 mm wide, 86 mm high and 100 mm deep
- internal dimensions 264 mm wide and 82 mm deep
- including non-corrosive HEWI fixing material
- high-quality chrome-plated
- matt black coated



**HEWI Surfaces**



## System 815



reddot award 2014  
winner

### PRODUCT CHARACTERISTICS

- In addition to the chrome surface, the new stainless steel version with powder coating in matt black offers trendy design options in the bathroom
- System 815 comprises accessories for the washbasin, toilet as well as shower and can be combined with barrier-free elements from Range WARM TOUCH (see page 341)

### RECOMMENDED APPLICATION AREAS

Home, Hotel



# System 815

## DESIGN

Phoenix Design, Stuttgart/Munich/Shanghai

## MATERIAL AND SURFACES

Chrome or matt black powder-coated.

Inserts made of satin glass.

Also available with adhesive mounting.

## ACCESSORIES

Product range 452

Adhesive mounting 454

Basin area 455 – 457

Toilet area 458 – 459

Shower and bath area 460 – 461

## ACCESSIBILITY

Matching products WARM TOUCH 453



- Chrome
- ...60 DC powder-coated matt black (RAL 9005)
- Satin crystal glass

ACCESSORIES



**Tumbler with holder**  
815.04.110... page 455  
815.04.111... page 455

- Holder
- Tumbler



**Soap dispenser with holder**  
815.06.110... page 455  
815.06.111... page 455

- Holder, pump head
- Soap dispenser



**Shelf**  
815.03.12045 | 600 mm page 456  
815.03.12065 | 600 mm page 456

- Holder
- Shelf



**Shelf**  
815.03.10045 | 200 mm page 456  
815.03.10065 | 200 mm page 456

- Holder
- Shelf



**Hooks**  
815.90.010... page 456  
815.90.011... page 456

- 



**Double hook**  
815.90.020... page 456  
815.90.021... page 456

- 



**Towel rail**  
815.09.110... | 420 mm page 457  
815.09.111... | 420 mm page 457

- 



**Towel ring**  
815.09.300... page 457  
815.09.301... page 457

- 



**Toilet roll holder**  
815.21.100... page 458  
815.21.101... page 458

- 



**Toilet roll holder with lid**  
815.21.200... page 458  
815.21.201... page 458

- 



**Spare roll holder**  
815.21.31... page 459  
815.21.30... page 458

- 



**Toilet brush unit**  
815.20.100... page 459  
815.20.101... page 459

- Holder, brush handle
- Brush container



**Rail with shower head holder**  
815.33.100... page 460  
900.33.03...60 page 460

- Rail
- Shower head holder



**Bath towel rail**  
815.30.110... | 600 mm page 461  
815.30.111... | 600 mm page 461

- 



**Shower basket**  
900.03.001... page 461

- Holder
- Insert



**Shower basket**  
900.03.002... page 461

- Holder
- Insert



**MATCHING PRODUCTS**

System 815 can be supplemented with the following products.

The new black accessories can be combined with powder-coated products from System 900, black fittings and universal products.



**Hinged support rail Mono | mobile**  
950.50.11..50 | 600 mm p. 344, 345

WARM TOUCH\*



**Hinged support rail Duo | mobile**  
950.50.12..50 | 700 mm p. 344, 345  
950.50.13..50 | 850 mm p. 344, 345  
950.50.14050 | 900 mm page 344

WARM TOUCH\*



**Support rail**  
950.36.1..50 page 348

WARM TOUCH\*



**L-shaped support rail**  
950.22.20050 page 348

WARM TOUCH\*



**L-shaped support rail**  
950.22.1..50 page 348

WARM TOUCH\*



**Support grab rail**  
950.35.11050 page 349

WARM TOUCH\*



**Rail with shower head holder**  
950.33.1..5.. page 349

WARM TOUCH\*



**L-shaped support rail with shower head holder**  
950.33.2..5.. page 350

WARM TOUCH\*



**Hinged seat**  
950.51.22... page 528  
950.51.42... | mobile page 528



**Shower stool | Bath chair**  
950.51.3... from page 523



**Universal products** from page 691



**Universal products** from page 691



**Fittings** from page 569



**Washbasins** from page 589



**Mirrors** from page 641



**Dispenser products** from page 655

\*WARM TOUCH: chrome-look coated polyamide

# System 815

## Adhesive mounting



With the System 815, HEWI offers the possibility of fixing bathroom accessories to the wall using adhesive. This means that no attention has to be paid to the joints and the products can be fitted according to the individual needs of the user. In addition, the adhesive fastening can be removed without leaving any residue, which prevents damage to high-quality surfaces. Mounting is done using an adapter with instant adhesion and a one-component adhesive in a practical dosing syringe, so there is no need to mix the adhesive.

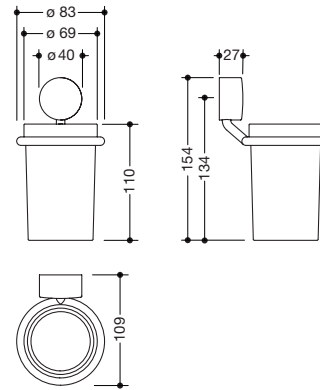


Item Number

Dimensions in mm / Specification



■ Holder  
□ Tumbler



**HEWI Tumbler with holder**

- holder made of stainless steel
- tumbler made of high-quality, satin crystal glass
- 83 mm wide, 154 mm high and 109 mm deep
- for wall mounting, concealed rose fixing
- including non-corrosive HEWI fixing material
- holder high-quality chrome-plated
- do., for adhesive mounting, including adhesive set 815.00.001
- holder powder-coated in HEWI colour DC (matt black)
- do., for adhesive mounting, including adhesive set 815.00.001

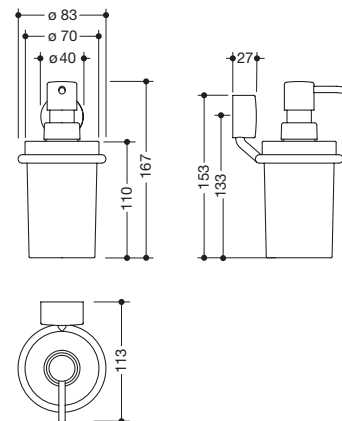
815.04.11045  
815.04.11145  
815.04.11065  
815.04.11165

800.04.E01

**HEWI Glass tumbler**



■ Holder,  
pump head  
□ Soap dispenser



**HEWI Soap dispenser with holder**

- to be filled with standard liquid soap, disinfectants and gels
- holder made of stainless steel
- soap dispenser made of high-quality, satin crystal glass
- pump head high-quality chrome-plated
- 83 mm wide, 167 mm high and 113 mm deep
- for wall mounting, concealed rose fixing
- including non-corrosive HEWI fixing material
- holder high-quality chrome-plated
- do., for adhesive mounting, including adhesive set 815.00.001
- holder powder-coated in HEWI colour DC (matt black)
- do., for adhesive mounting, including adhesive set 815.00.001
- holder powder-coated in HEWI colour DC (matt black)
- pump head matt black
- do., for adhesive mounting, including adhesive set 815.00.001

815.06.11045  
815.06.11145  
815.06.11065  
815.06.11165  
815.06.11265

815.06.11365

815.06.E01  
63910  
950.06.E02

**HEWI Glass container**

**HEWI Pump head, chrome**  
**HEWI Pump head, matt black**

HEWI Surfaces  
■ ■ □  
Chr DC Glass

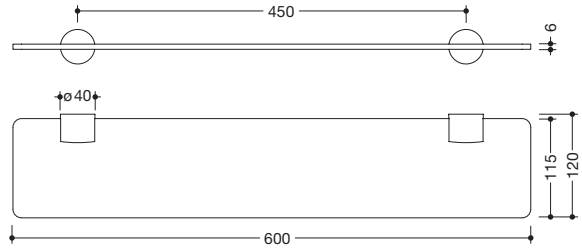
815.90.E0140  
815.90.E0160  
815.00.001

**HEWI Rose cap, chrome**  
**HEWI Rose cap, matt black**  
**HEWI Adhesive set** see page 457

Detailed information about the spare parts can be found here:  
[www.hewi.com/en/spare-parts](http://www.hewi.com/en/spare-parts)

Item Number

Dimensions in mm / Specification

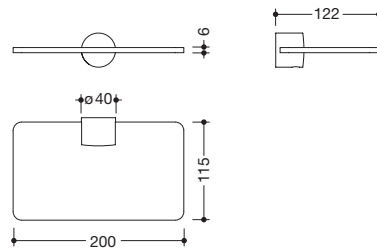


**HEWI Shelf**

- with high-quality, satin glass plate
- for wall mounting, concealed rose fixing
- including non-corrosive HEWI fixing material
- two wall brackets
- 600 mm wide, 40 mm high, 120 mm deep, glass thickness 6 mm
- roses high-quality chrome-plated
- roses powder-coated in HEWI colour DC (matt black)

815.03.12045

815.03.12065

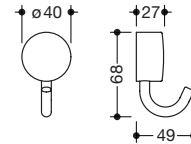


- do., one wall bracket
- 200 mm wide, 40 mm high, 122 mm deep, glass thickness 6 mm,
- rose high-quality chrome-plated
- rose powder-coated in HEWI colour DC (matt black)

815.03.10045

815.03.10065

■ Holder  
□ Shelf



**HEWI Hook**

- made of stainless steel, 40 mm wide, 68 mm high, 49 mm deep
- for wall mounting, concealed rose fixing
- including non-corrosive HEWI fixing material
- high-quality chrome-plated
- do., for adhesive mounting, including adhesive set 815.00.001
- powder-coated in HEWI colour DC (matt black)
- do., for adhesive mounting, including adhesive set 815.00.001

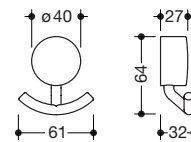
815.90.01040

815.90.01140

815.90.01060

815.90.01160

■ ■



**HEWI Double hook**

- made of stainless steel, 61 mm wide, 64 mm high, 32 mm deep
- for wall mounting, concealed rose fixing
- including non-corrosive HEWI fixing material
- high-quality chrome-plated
- do., for adhesive mounting, including adhesive set 815.00.001
- powder-coated in HEWI colour DC (matt black)
- do., for adhesive mounting, including adhesive set 815.00.001

815.90.02040

815.90.02140

815.90.02060

815.90.02160

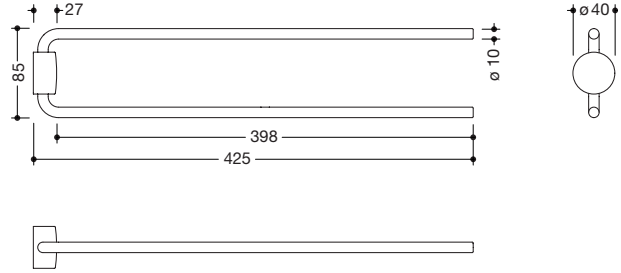
■ ■

63484  
63499  
815.90.E0140  
815.90.E0160  
815.00.001

**HEWI Glass plate 600 mm**  
**HEWI Glass plate 200 mm**  
**HEWI Rose cap, chrome**  
**HEWI Rose cap, matt black**  
**HEWI Adhesive set** see right

Item Number

Dimensions in mm / Specification



**HEWI Towel rail**

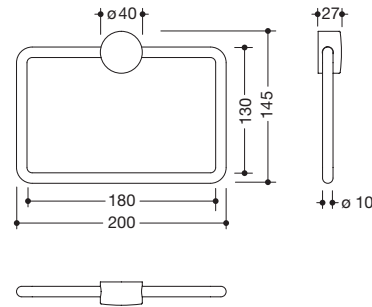
- each arm pivots sideways independently of the other bar
- made of stainless steel
- 425 mm long and 85 mm high, arms  $\varnothing$  10 mm
- for wall mounting, concealed rose fixing
- including non-corrosive HEWI fixing material
- high-quality chrome-plated
- do., for adhesive mounting, including adhesive set 815.00.002
- powder-coated in HEWI colour DC (matt black)
- do., for adhesive mounting, including adhesive set 815.00.002

815.09.11040  
815.09.11140  
815.09.11060  
815.09.11160

815.90.E0140  
815.90.E0160



**HEWI Rose cap, chrome**  
**HEWI Rose cap, matt black**



**HEWI Towel ring, pivoting**

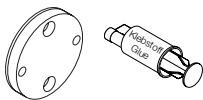
- closed towel ring, can be pivoted
- made of stainless steel
- 200 mm wide and 145 mm high, ring  $\varnothing$  10 mm
- for wall mounting, concealed rose fixing
- including non-corrosive HEWI fixing material
- high-quality chrome-plated
- do., for adhesive mounting, including adhesive set 815.00.002
- powder-coated in HEWI colour DC (matt black)
- do., for adhesive mounting, including adhesive set 815.00.002

815.09.30040  
815.09.30140  
815.09.30060  
815.09.30160

815.90.E0140  
815.90.E0160



**HEWI Rose cap, chrome**  
**HEWI Rose cap, matt black**



815.00.001  
815.00.002  
815.00.003

**HEWI Adhesive set**

- for adhesive mounting of accessories System 815
- set includes adapter for adhesive mounting, cleaning cloth, dispensing syringe with adhesive and screws
- suitable for adhesive mounting of 815.04.11..., 815.06.11..., 815.20.10..., 815.21.30..., 815.21.31..., 815.90.01..., 815.90.020...
- suitable for adhesive mounting of 815.09.11..., 815.09.30..., 815.21.10..., 815.21.20...
- suitable for adhesive mounting of 815.30.11...

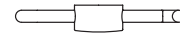
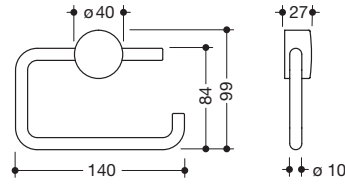
**HEWI Surfaces**

■ ■ ■  
Chr DC Glass

Detailed information about the spare parts can be found here:  
[www.hewi.com/en/spare-parts](http://www.hewi.com/en/spare-parts)

Item Number

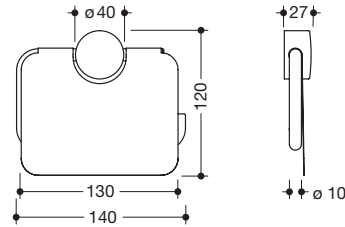
Dimensions in mm / Specification



**HEWI Toilet roll holder**

- hinged, made of stainless steel
- 140 mm wide, 99 mm high, 27 mm deep
- for wall mounting, concealed rose fixing
- including non-corrosive HEWI fixing material
- high-quality chrome-plated
- do., for adhesive mounting, including adhesive set 815.00.002
- powder-coated in HEWI colour DC (matt black)
- do., for adhesive mounting, including adhesive set 815.00.002

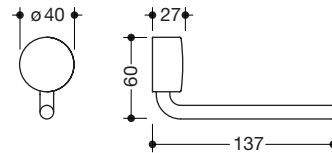
- 815.21.10040
- 815.21.10140
- 815.21.10060
- 815.21.10160



**HEWI Toilet roll holder with lid**

- hinged, made of stainless steel
- 140 mm wide, 120 mm high, 27 mm deep
- for wall mounting, concealed rose fixing
- including non-corrosive HEWI fixing material
- high-quality chrome-plated
- do., for adhesive mounting, including adhesive set 815.00.002
- powder-coated in HEWI colour DC (matt black)
- do., for adhesive mounting, including adhesive set 815.00.002

- 815.21.20040
- 815.21.20140
- 815.21.20060
- 815.21.20160



**HEWI Spare roll holder**

- 40 mm wide, 60 mm high, 137 mm deep
- made of stainless steel
- for wall mounting, concealed rose fixing
- including non-corrosive HEWI fixing material
- high-quality chrome-plated
- do., for adhesive mounting, including adhesive set 815.00.001
- powder-coated in HEWI colour DC (matt black)
- do., for adhesive mounting, including adhesive set 815.00.001

- 815.21.30040
- 815.21.30140
- 815.21.30060
- 815.21.30160



- 815.90.E0140
- 815.90.E0160
- 815.00.001
- 815.00.002

- HEWI Rose cap, chrome**
- HEWI Rose cap, matt black**
- HEWI Adhesive set** see page 457
- HEWI Adhesive set** see page 457

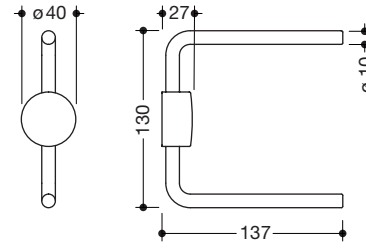
Detailed information about the spare parts can be found here:  
[www.hewi.com/en/spare-parts](http://www.hewi.com/en/spare-parts)

Item Number

Dimensions in mm / Specification



**815.21.31040**  
**815.21.31140**  
**815.21.31060**  
**815.21.31160**



**HEWI Spare roll holder, double**

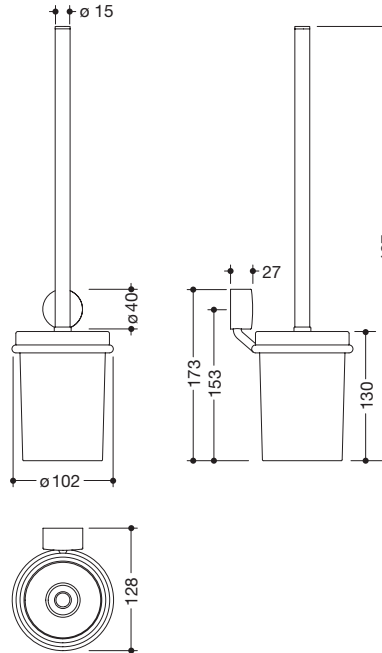
- for holding two toilet rolls, made of stainless steel
- 40 mm wide, 130 mm high, 137 mm deep
- for wall mounting, concealed rose fixing
- including non-corrosive HEWI fixing material
- high-quality chrome-plated
- do., for adhesive mounting, including adhesive set 815.00.001
- powder-coated in HEWI colour DC (matt black)
- do., for adhesive mounting, including adhesive set 815.00.001



■ ■ Holder, brush handle  
 □ Brush container

**815.20.10045**  
**815.20.10145**  
**815.20.10065**  
**815.20.10165**

**63500**  
**100.20.01040**  
**900.20.01060**



**HEWI Toilet brush unit**

- cylindrical glass brush container made of high-quality satin crystal glass
- toilet brush with replaceable brush head
- brush head can be replaced due to bayonet fixing
- holder made of stainless steel
- 102 mm wide, 437 mm high and 128 mm deep
- for wall mounting, concealed rose fixing
- including non-corrosive HEWI fixing material
- holder and brush handle high-quality chrome-plated
- do., for adhesive mounting, including adhesive set 815.00.001
- holder and brush handle powder-coated in HEWI colour DC (matt black)
- do., for adhesive mounting, including adhesive set 815.00.001

**HEWI Brush container**  
**HEWI Toilet brush, chrome**  
**HEWI Toilet brush, matt black**

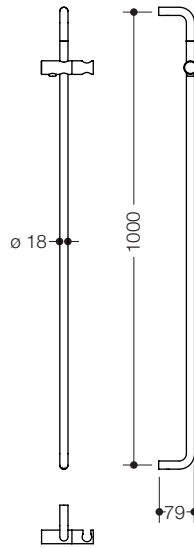
**HEWI Surfaces**  
 ■ ■ □  
 Chr DC Glass

**815.90.E0140**  
**815.90.E0160**  
**921050**  
**921051**  
**921052**  
**815.00.001**

**HEWI Rose cap, chrome**  
**HEWI Rose cap, matt black**  
**HEWI Brush head, packing unit 1**  
**HEWI Brush head, packing unit 5**  
**HEWI Brush head, packing unit 25**  
**HEWI Adhesive set** see page 457

Item Number

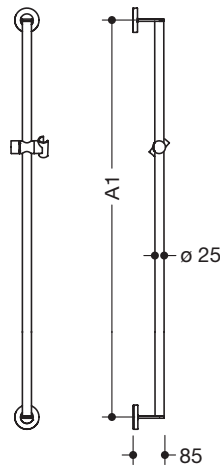
Dimensions in mm / Specification



815.33.10040

**HEWI Rail with shower head holder**

- suitable for various manufacturers' shower heads
- made of stainless steel, high-quality chrome-plated
- c to c 1000 mm, 79 mm deep,  $\varnothing$  18 mm
- for wall mounting, concealed fixing
- including non-corrosive HEWI fixing material



**HEWI Rail with shower head holder  $\varnothing$  25 mm**

- rail  $\varnothing$  25 mm, 85 mm deep, tube thickness 2 mm, roses  $\varnothing$  70 mm
- made of high-quality stainless steel, powder-coated in HEWI colour JK (matt black) with shower head holder made of synthetic material, chrome-plated
- suitable for various manufacturers' shower heads
- shower head holder can be tilted continuously and, after pressing a large pushbutton, its height can be adjusted
- conical adapter on shower head holder facilitates accommodation of handspray
- incl. non-corrosive and tested HEWI fixing material for wall mounting
- upper mounting point (non-visible area) is accessible for easy replacement of shower head holder

- Rail
- Shower head holder

900.33.03160  
900.33.03260

- c to c 900 mm
- c to c 1100 mm

**HEWI Colours | Surfaces**



950.33.E03...  
950.33.E05...  
950.33.E07...

**HEWI Handspray** see Universal products page 702  
**HEWI Shower hose** see Universal products page 703  
**HEWI Shower set** see Universal products page 704



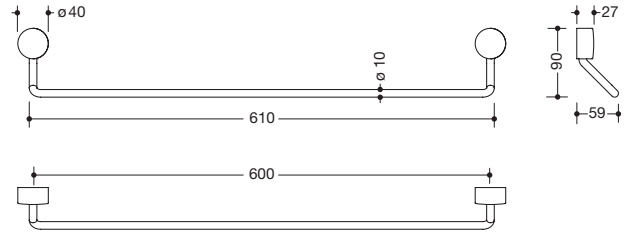
Item Number

Dimensions in mm / Specification



**815.30.11040**  
**815.30.11140**  
**815.30.11060**  
**815.30.11160**

**815.90.E0140**  
**815.90.E0160**



**HEWI Bath towel rail**

- made of stainless steel
- c to c 600 mm, 90 mm high, 59 mm deep
- for wall mounting, concealed rose fixing
- including non-corrosive HEWI fixing material
- high-quality chrome-plated
- do., for adhesive mounting, including adhesive set 815.00.003
- powder-coated in HEWI colour DC (matt black)
- do., for adhesive mounting, including adhesive set 815.00.003

**HEWI Rose cap, chrome**  
**HEWI Rose cap, matt black**

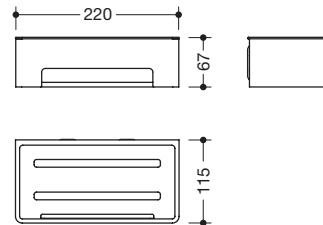


■ Holder  
 □ ■ Insert



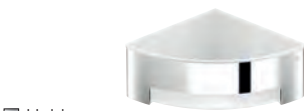
■ Holder  
 ■ Insert

**900.03.00140\***  
**900.03.00160**



**HEWI Shower basket**

- made of high-quality stainless steel, for wall mounting
- insert made of high-quality synthetic material
- 220 mm wide, 67 mm high and 115 mm deep
- including non-corrosive HEWI fixing material
- chrome-plated, insert in HEWI colours 98 (signal white) and 92 (anthracite grey)
- powder-coated in HEWI colour CV (matt black) with matt black insert

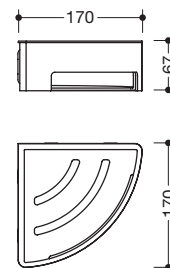


■ Holder  
 □ ■ Insert



■ Holder  
 ■ Insert

**900.03.00240\***  
**900.03.00260**



**HEWI Shower basket**

- made of high-quality stainless steel, for wall mounting
- insert made of high-quality synthetic material
- 67 mm high, side lengths 170 mm
- including non-corrosive HEWI fixing material
- chrome-plated, insert in HEWI colours 98 (signal white) and 92 (anthracite grey)
- powder-coated in HEWI colour CV (matt black) with matt black insert

**HEWI Powder coating | Material combination**  
 ■ ■ ...60 CV matt black | matt black synthetic mat.  
 ■ ■ ...60 JK matt black | chrome

**815.00.003**

**HEWI Adhesive set** see page 457

Detailed information about the spare parts can be found here:  
[www.hewi.com/en/spare-parts](http://www.hewi.com/en/spare-parts)

\*Please advise colour of insert when ordering.

## System 800



### PRODUCT CHARACTERISTICS

- The modular design and the depth of the 800 sanitary system range provided enable a wide range of combinations and a bathroom that completely fulfils the user's requirements
- Selected materials and their careful workmanship produce outstanding, durable quality
- The functionality of system 800 is represented down to the smallest detail: concealed means of attachment and inserts that can be removed simplify cleaning

### RECOMMENDED APPLICATION AREAS

Home, Hotel



# System 800

## DESIGN

Phoenix Design, Stuttgart/Munich/Shanghai

## MATERIAL AND SURFACES

Holder chrome-plated or powder-coated in matt white or black, inserts optionally made of polyamide or satin-finished glass.

## ACCESSORIES

Product range	464
Basin area	466 – 471
Toilet area	472 – 473
Shower and bath area	474

## ACCESSIBILITY

Product range	465
Support	475 – 479
Grip	479



SURFACES

☐ Chrome

☐ ...60 DX powder-coated matt white (RAL 9003)

■ ...60 DC powder-coated matt black (RAL 9005)

ACCESSORIES



**Tumbler with holder**  
800.04.110... page 467

☐ ☐ Holder  
☑ ☑ ☑ Tumbler



**Soap dispenser with holder**  
800.06.110... page 467

☐ ☐ Holder, pump head  
☑ ☑ ☑ Soap dispenser



**Soap dish with holder**  
800.02.110... page 468

☐ ☐ Holder  
☑ ☑ ☑ Soap dish



**Utility dish**  
800.03.20041 page 468

☐ ☐ Holder  
☑ ☑ ☑ Shelf plate



**Shelf**  
800.03.100... page 469

☐ ☐ Holder  
☑ ☑ Shelf plate



**Adjustable mirror**  
800.01.10060 page 469

☑ Frame  
☐ Handle



**Towel rail**  
800.09.100... page 470

☐ ☐ ☐



**Hook | Double hook**  
800.90.01040 page 471  
800.90.02040 page 471  
800.90.06040 page 471

☐ ☐ ☐



**Toilet roll holder**  
800.21.110... page 472  
800.21.100... page 472

☐ ☐ ☐



**Spare roll holder**  
800.21.300... page 472

☐ ☐ ☐



**Toilet brush unit | Toilet brush**  
800.20.100... page 473  
100.20.01040 page 473

☐ ☐ Holder, brush handle  
☑ ☑ ☑ Brush container



**Toilet brush unit | Toilet brush**  
800.20.20041 page 473  
800.20.01090 page 473

☐ ☐ Holder  
☑ ☑ ☑ Brush container  
☑ ☑ Brush handle



**Shower basket**  
800.03.30041 page 474

☐ ☐ Holder  
☑ ☑ Shower basket



**Support rail**  
800.36.1... page 470

☐ ☐ ☐



**Bath towel rail**  
800.30.1... page 474

☐ ☐ ☐



**Stool**  
800.51.30041 page 470

☐ Frame  
Seat made of white MDF

- Satin crystal glass
- ▨ 98 (signal white)
- ▩ Signal white matt
- Jet black matt

**ACCESSIBILITY**



**Hinged support rail Mono**

950.50.61040 | 600 mm page 476  
 950.50.61140 | mobile page 476



**Hinged support rail Duo**

950.50.62040 | 700 mm page 476  
 950.50.63040 | 850 mm page 476  
 950.50.64040 | 900 mm page 476  
 950.50.62140 | mobile page 476  
 950.50.63140 | mobile page 476



**Support rail**

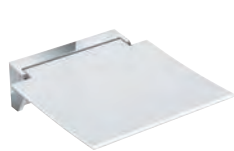
950.36.6..40 page 479



**MATCHING PRODUCTS**

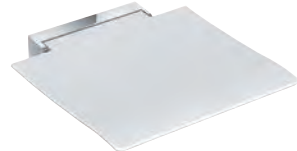
System 800 can be supplemented with the following products.

The white and black accessories can be combined with powder-coated System 900 products, black fittings and universal products.



**Hinged seat 350**

page 526



**Hinged seat 450**

page 527



**Universal products**

from page 691



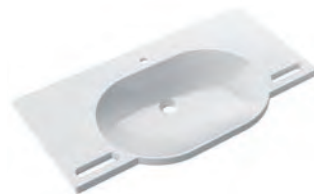
**Universal products**

from page 691



**Fittings**

from page 569



**Washbasins**

from page 589



**Mirrors**

from page 641



**Dispenser products**

from page 655



**Support rails**

from page 250



**L-shaped support rails | with toilet roll holder**

from page 252



**L-shaped support rails with shower head holder**

from page 262



**Rail with adjustable vertical support bar and shower head holder**

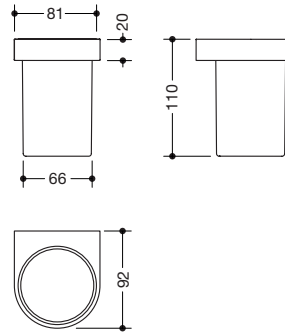
p. 264

# System 800 Accessories



Item Number

Dimensions in mm / Specification



**800.04.11041**  
**800.04.11045**

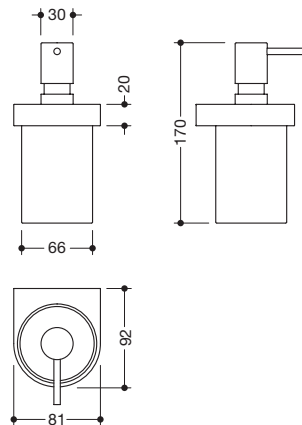
**New** **800.04.11060**

**New** **800.04.11065**

■ ■ ■ Holder  
□ □ ■ Tumbler

**HEWI Tumbler with holder**

- holder made of metal, with protective ring made of synthetic material for a secure, defined position and to protect the insert from damage
- cylindrical tumbler with flat bottom
- for wall mounting, concealed fixing
- 81 mm wide, 110 mm high and 92 mm deep
- including non-corrosive HEWI fixing material
- holder high-quality chrome-plated
- tumbler made of high-quality polyamide in HEWI colour 98 (signal white)
- tumbler made of high-quality, satin crystal glass
- holder powder-coated in HEWI colour CV (matt black) with tumbler made of matt black polyamide or in HEWI colour AS (matt white) with tumbler made of matt white polyamide
- holder powder-coated in HEWI colours DC (matt black) and DX (matt white) with tumbler made of high-quality, satin crystal glass



**800.06.11041**  
**800.06.11045**

**New** **800.06.11060**

**New** **800.06.11065**

■ ■ ■ Holder, pump head  
□ □ ■ Soap dispenser

**HEWI Soap dispenser with holder**

- to be filled with standard liquid soap, disinfectants and gels
- holder made of metal, with protective ring made of synthetic material for a secure, defined position and to protect the insert from damage
- pump head made of metal
- for wall mounting, concealed fixing
- 81 mm wide, 170 mm high and 92 mm deep
- including non-corrosive HEWI fixing material
- holder and pump head high-quality chrome-plated
- soap dispenser high-quality polyamide in HEWI colour 98 (signal white)
- soap dispenser made of high-quality, satin crystal glass
- holder and pump head powder-coated in HEWI colour CV (matt black) with soap dispenser made of matt black polyamide or powder-coated in HEWI colour AS (matt white) with soap dispenser made of matt white polyamide
- holder and pump head powder-coated in HEWI colours DC (matt black) and DX (matt white) with soap dispenser made of high-quality, satin crystal glass

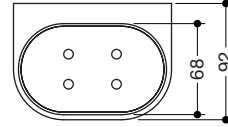
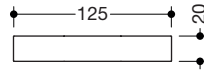
**HEWI Colours | Surfaces | Material combination**  
 □ □ ■ ...60 DX powder-coated matt white  
 98 Glass Chr ■ ...60 DC powder-coated matt black  
 □ □ ■ ...60 AS matt white | m. white poly.  
 ■ ■ ■ ...60 CV matt black | m. black poly.

**800.04.010**  
**800.04B010**  
**800.04.E01**  
**800.06.E02**  
**67738**  
**800.06.E01**  
**100.03.E02, 950.06.E02 | ...05**

**HEWI Tumbler**  
**HEWI Tumbler, matt**  
**HEWI Glass tumbler**  
**HEWI Container for soap dispenser**  
**HEWI Container for soap dispenser, matt**  
**HEWI Glass container for soap dispenser**  
**HEWI Pump head chrome, black, white**

Item Number

Dimensions in mm / Specification



800.02.11041

800.02.11045

**New** 800.02.11060

**New** 800.02.11065

Holder  
  Soap dish

800.02.010

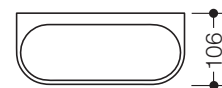
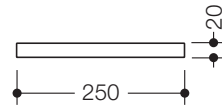
800.02.E01

**HEWI Soap dish with holder**

- holder made of metal, with protective ring made of synthetic material for a secure, defined position and to protect the insert from damage
- rotatable soap dish, can be used flush or as a dish
- for wall mounting, concealed fixing
- 125 mm wide, 20 mm high and 92 mm deep
- including non-corrosive HEWI fixing material
- holder high-quality chrome-plated
- soap dish high-quality polyamide in HEWI colour 98 (signal white)
- soap dish made of high-quality, satin crystal glass
- holder powder-coated in HEWI colour CV (matt black) with oval soap dish made of matt black polyamide or in HEWI colour AS (matt white) with oval soap dish made of matt white polyamide
- holder powder-coated in HEWI colours DC (matt black) and DX (matt white) with oval soap dish made of high-quality, satin crystal glass

**HEWI Soap dish**

**HEWI Soap dish, glass**



800.03.20041

**New** 800.03.20060

Holder  
  Shelf plate

60169

71819

**HEWI Utility dish**

- the dish is rotatable and can be mounted flush with the bracket or can be used as a storage dish
- holder made of metal
- for wall mounting, concealed fixing
- 250 mm wide, 20 mm high and 106 mm deep
- including non-corrosive HEWI fixing material
- holder high-quality chrome-plated
- shelf made of high-quality polyamide, in HEWI colour 98 (signal white)
- holder powder-coated in HEWI colour CV (matt black) with oval shelf made of matt black polyamide or in HEWI colour AS (matt white) with oval shelf made of matt white polyamide

**HEWI Insert**

**HEWI Insert, matt**

**HEWI Powder coating | Material combinations with synthetic material**

- ...60 AS matt white | matt white synthetic material
- ...60 CV matt black | matt black synthetic material

Detailed information about the spare parts can be found here:  
[www.hewi.com/en/spare-parts](http://www.hewi.com/en/spare-parts)



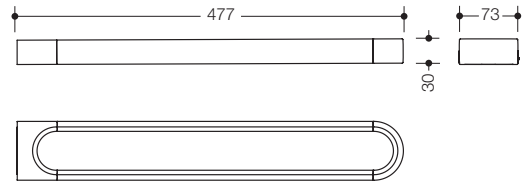


Item Number

Dimensions in mm / Specification



**800.09.10040**  
**New 800.09.10260**

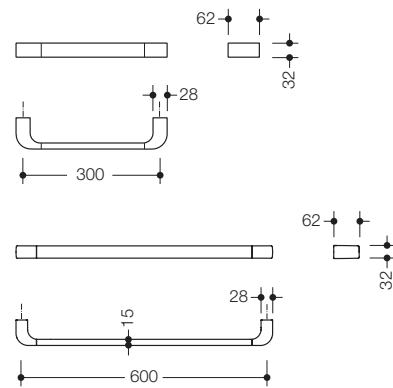


**HEWI Towel rail**

- rigid design
- for wall mounting, concealed fixing
- 477 mm long, 30 mm high and 73 mm wide
- made of metal
- including non-corrosive HEWI fixing material
- high-quality chrome-plated
- powder-coated in HEWI colours DC (matt black) and DX (matt white)



**800.36.10040**  
**800.36.11040**  
**New 800.36.10260**  
**New 800.36.11260**



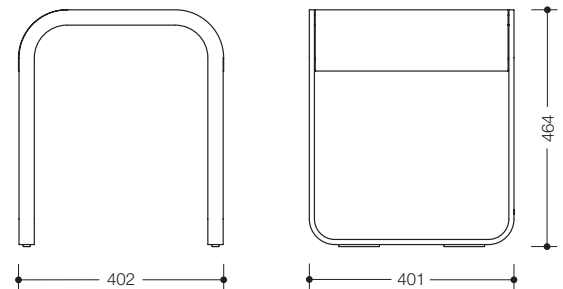
**HEWI Support rail**

- made of metal, 32 mm high, 62 mm deep
- for wall mounting, concealed fixing
- including non-corrosive HEWI fixing material
- high-quality chrome-plated
- c to c 300 mm
- c to c 600 mm
- powder-coated in HEWI colours DC (matt black) and DX (matt white)
- c to c 300 mm
- c to c 600 mm



■ Frame  
 Seat made of white MDF

**800.51.30041**



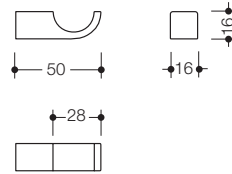
**HEWI Stool**

- seat made of white MDF
- frame made of metal, high-quality chrome-plated
- maximum loading capacity 150 kg
- 402 mm wide, 464 mm high and 401 mm deep, weight 9,6 kg

Detailed information about the spare parts can be found here:  
[www.hewi.com/en/spare-parts](http://www.hewi.com/en/spare-parts)

Item Number

Dimensions in mm / Specification

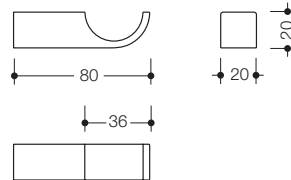


**HEWI Hook**

- made of metal
- 16 mm wide, 16 mm high, 50 mm deep
- for wall mounting, concealed fixing
- including non-corrosive HEWI fixing material
- high-quality chrome-plated
- powder-coated in HEWI colours DC (matt black) and DX (matt white)



**800.90.01040**  
**New** **800.90.01260**

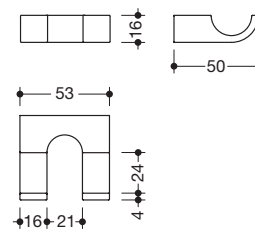


**HEWI Hook**

- made of metal
- 20 mm wide, 20 mm high, 80 mm deep
- for wall mounting, concealed fixing
- including non-corrosive HEWI fixing material
- high-quality chrome-plated
- powder-coated in HEWI colours DC (matt black) and DX (matt white)



**800.90.02040**  
**New** **800.90.02260**



**HEWI Double hook**

- made of metal
- 53 mm wide, 16 mm high, 50 mm deep
- for wall mounting, concealed fixing
- including non-corrosive HEWI fixing material
- high-quality chrome-plated
- powder-coated in HEWI colours DC (matt black) and DX (matt white)



**800.90.06040**  
**New** **800.90.06260**

**HEWI Colours | Surfaces**

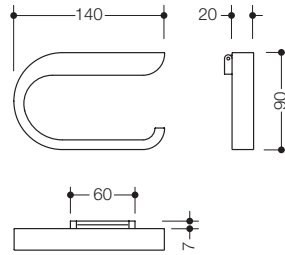
- Chr ...60 DX powder-coated matt white
- ...60 DC powder-coated matt black

Item Number

Dimensions in mm / Specification



**New** 800.21.11040  
800.21.11260

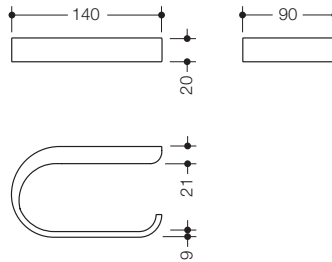


**HEWI Toilet roll holder, hinged**

- hinged
- for wall mounting, concealed fixing
- 140 mm wide, 90 mm high and 27 mm deep
- made of metal
- including non-corrosive HEWI fixing material
- high-quality chrome-plated
- powder-coated in HEWI colours DC (matt black) and DX (matt white)



**New** 800.21.10040  
800.21.10260

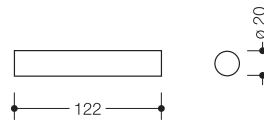


**HEWI Toilet roll holder**

- rigid design
- for wall mounting, concealed fixing
- 140 mm wide, 20 mm high and 90 mm deep
- made of metal
- including non-corrosive HEWI fixing material
- high-quality chrome-plated
- powder-coated in HEWI colours DC (matt black) and DX (matt white)



**New** 800.21.30040  
800.21.30260



**HEWI Spare roll holder**

- for wall mounting, concealed fixing
- ø 20 mm, 122 mm deep
- made of metal
- including non-corrosive HEWI fixing material
- high-quality chrome-plated
- powder-coated in HEWI colours DC (matt black) and DX (matt white)

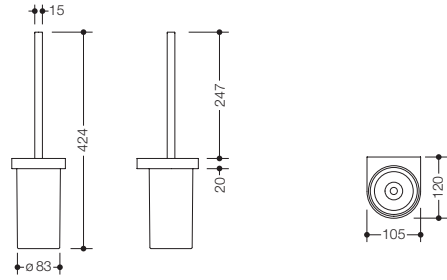
**HEWI Powder coating | Material combinations with synthetic material**

- ☐ ...60 AS matt white | matt white synthetic material
- ...60 CV matt black | matt black synthetic material

Detailed information about the spare parts can be found here:  
[www.hewi.com/en/spare-parts](http://www.hewi.com/en/spare-parts)

Item Number

Dimensions in mm / Specification



**HEWI Toilet brush unit**

- holder made of metal with protective ring made of flexible polyethelene for a secure, defined position and against damage to the brush container
- for wall mounting, concealed fixing
- 105 mm wide, 424 mm high and 120 mm deep
- toilet brush with replaceable brush head made of black polyamide with anthracite grey bristles
- including non-corrosive HEWI fixing material

**800.20.10041**

**New** **800.20.10260**

- holder and brush handle high-quality chrome-plated
- container high-quality polyamide in HEWI colour 98 (signal white)

- holder and brush handle powder-coated in HEWI colour CV (matt black) with brush container made of matt black polyamide or powder-coated in HEWI colour AS (matt white) with brush container made of matt white polyamide

**800.20.10045**

**New** **800.20.10265**

- brush container made of high-quality satin crystal glass
- holder and brush handle high-quality chrome-plated
- holder and brush handle powder-coated in HEWI colours DC (matt black) and DX (matt white)

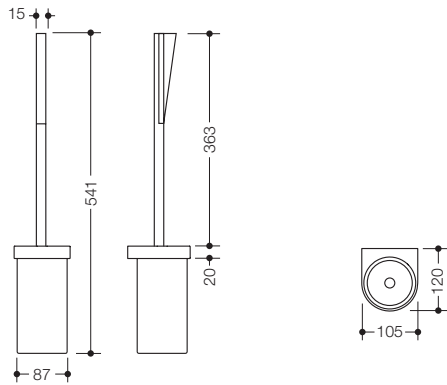
- ■ Holder and brush handle
- ▣ ▣ Brush container

**100.20.01040**

**900.20.01060**

**HEWI Toilet brush, chrome**

**HEWI Toilet brush, black, white**



**HEWI Toilet brush unit (accessibility)**

- with protective ring made of flexible polyethelene for a secure, defined position and against damage to the brush container
- for wall mounting, concealed fixing
- 105 mm wide, 541 mm high and 120 mm deep
- brush with long ergonomic brush handle and replaceable brush head made of black polyamide with anthracite grey bristles
- including non-corrosive HEWI fixing material

**800.20.20041**

**New** **800.20.20260**

- holder made of metal, high-quality chrome-plated
- container high-quality polyamide in HEWI colour 98 (signal white)

- holder made of metal, powder-coated in HEWI colour CV (matt black) with brush container made of matt black polyamide and brush handle made of matt white polyamide or powder-coated in HEWI colour AS (matt white) with brush container and brush handle made of matt white polyamide

- ■ Holder
- ▣ ▣ Brush container
- ▣ ▣ Brush handle

**800.20.01090**

**New** **800.20B01090**

**HEWI Toilet brush (accessibility)**

**HEWI Toilet brush (accessibility), matt**

**HEWI Colours | Surfaces**

- ▣ ▣ ...60 DX powder-coated matt white
- 98 Glass Chr ■ ...60 DC powder-coated matt black

**800.20.E01**

**800.20.E02**

**71825**

**921050**

**921051**

**921052**

**HEWI Glass for toilet brush**

**HEWI Brush container**

**HEWI Brush container, matt**

**HEWI Brush head, packing unit 1**

**HEWI Brush head, packing unit 5**

**HEWI Brush head, packing unit 25**

Item Number

Dimensions in mm / Specification



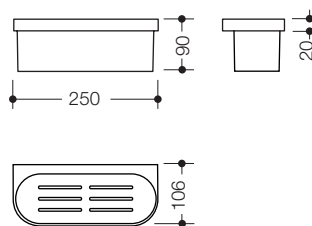
800.03.30041

New 800.03.30060

Holder  
  Shower basket

800.03.010

New 800.03B010



**HEWI Shower basket**

- for wall mounting, concealed fixing
- 250 mm wide, 90 mm high and 106 mm deep
- including non-corrosive HEWI fixing material
- holder made of metal, high-quality chrome-plated
- shower basket made of high-quality polyamide, in HEWI colour 98 (signal white)
- holder made of metal, powder-coated in HEWI colour CV (matt black) with shower basket made of matt black polyamide or powder-coated in HEWI colour AS (matt white) with shower basket made of matt white polyamide

**HEWI Insert for shower basket**  
**HEWI Insert for shower basket, matt**

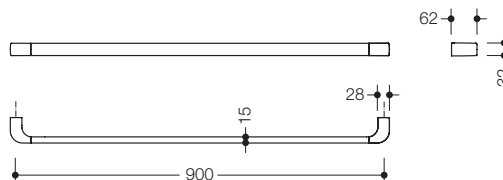
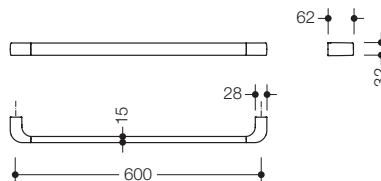


800.30.11040

800.30.12040

New 800.30.11260

New 800.30.12260



**HEWI Bath towel rail**

- made of metal, 32 mm high, 62 mm deep
- for wall mounting
- including non-corrosive HEWI fixing material
- high-quality chrome-plated
- c to c 600 mm
- c to c 900 mm
- powder-coated in HEWI colours DC (matt black) and DX (matt white)
- c to c 600 mm
- c to c 900 mm

**HEWI Colours | Surfaces | Material combination**

- ...60 DX powder-coated matt white
- 98 Chr  ...60 DC powder-coated matt black
- ...60 AS matt white | matt white synthetic material
- ...60 CV matt black | matt black synthetic material

Detailed information about the spare parts can be found here:  
[www.hewi.com/en/spare-parts](http://www.hewi.com/en/spare-parts)

# System 800 Accessibility



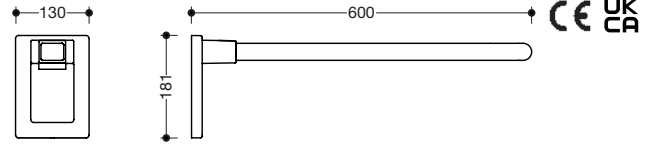
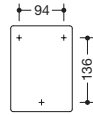
Item Number

Dimensions in mm / Specification



**950.50.61040**

Drill hole



**HEWI Hinged support rail Mono**

- loading capacity according to DIN 18040 up to 100 kg
- can be folded upwards and, with friction device, downwards
- rail 40 mm wide and 30 mm high, projection 600 mm
- wall plate 181 mm high, 130 mm wide, stable three-point fixing
- for wall mounting with non-corrosive and tested HEWI fixing material for different wall constructions
- incl. sealing tape for sealing the fixing points
- made of metal, high-quality chrome-plated
- wall plate cover made of synthetic material, high-quality chrome-plated



**950.50.61140**

Drill hole

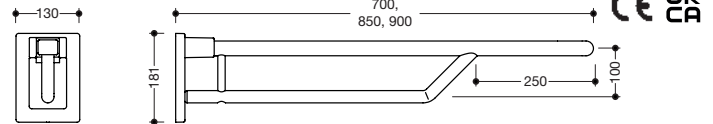
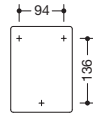


**HEWI Mobile hinged support rail Mono**

- do., for easy and flexible retrofitting on pre-assembled mounting plate 950.50.01440 (to be ordered separately)
- tool-free and quick installation by means of short, simple hanging
- secured against unintentional removal
- unlocking for flexible use by spring actuation



Drill hole



**HEWI Hinged support rail Duo**

- bottom rail is merged with the top rail at an angle of 135°
- loading capacity according to DIN 18040 up to 100 kg
- can be folded upwards and, with friction device, downwards
- top rail 40 mm wide and 30 mm high, bottom rail ø 25 mm
- wall plate 181 mm high, 130 mm wide, stable three-point fixing
- for wall mounting with non-corrosive and tested HEWI fixing material for different wall constructions
- incl. sealing tape for sealing the fixing points
- made of metal, high-quality chrome-plated
- wall plate cover made of synthetic material, high-quality chrome-plated

**950.50.62040**

700 mm projection

**950.50.63040**

850 mm projection

**950.50.64040**

900 mm projection



Drill hole



**HEWI Mobile hinged support rail Duo**

- do., for easy and flexible retrofitting on pre-assembled mounting plate 950.50.01440 (to be ordered separately)
- tool-free and quick installation by means of short, simple hanging
- secured against unintentional removal
- unlocking for flexible use by spring actuation

**950.50.62140**

700 mm projection

**950.50.63140**

850 mm projection

**Hinged support rails**

- BM17.4**
- BM10.4**
- BM11.4**
- BM12.4**
- BM13.4**
- BM18.4**

**Mobile hinged support rails**

- BM17.2**
- BM10.2**
- BM11.2**
- BM12.2**
- BM13.2**
- BM18.2**

**Fixing material for hinged support rails to be ordered separately page 738, 739**

for fixing on walls made of:

- concrete > C20/C25, national technical approval number: ETA-11/0493
- concrete > C20/C25
- autoclaved aerated concrete (> P2)
- lightweight walls with rear lining made of laminated timber boards ...
- lightweight walls with integrated steel plates ...
- hollow concrete block, vertically perforated bricks, solid bricks, ..., national technical approval number: ETA-13/1036

**Upgrade products** see right

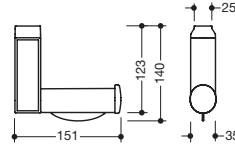


Item Number

Dimensions in mm / Specification



950.50.01150

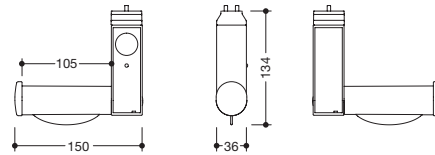


**HEWI Upgrade kit toilet roll holder**

- for retrofitting on hinged support rails 950.50.6..
- integrated roll brake, made of chrome-look coated polyamide
- 35 mm wide, 140 mm high, 151 mm deep



**New** 950.50.07290  
**New** 950.50.07390



**HEWI Upgrade kit toilet roll holder and WC flushing mechanism (radio-controlled)**

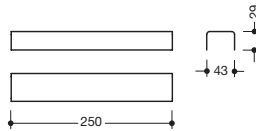
- for retrofitting on hinged support rails 950.50.6..
- blue button for triggering the WC flush mechanism
- easy installation, integrated roll brake
- 36 mm wide, 134 mm high, 150 mm deep
- transmission frequency 868,4 MHz
- suitable for radio-controlled WC flushing systems of Geberit, Mepa, Viega, Sanit, Friatec, TECE and Grohe
- made of high-quality polyamide in HEWI colours 98 (signal white), 99 (pure white), 92 (anthracite grey) or 90 (jet black)

right handed version  
left handed version

Left resp. right version from users point of view.  
Please advise colour when ordering.

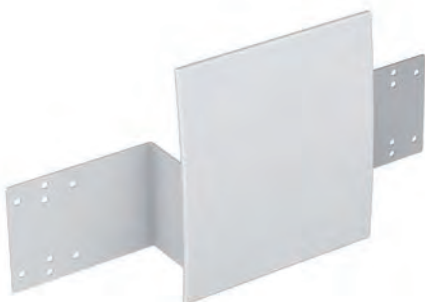


950.50.03192

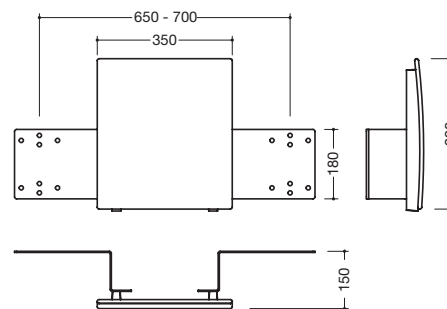


**HEWI Armpad**

- for hinged support rails 950.50.6..., 250 mm long
- self-adhesive, abrasion-resistant, made of black polyurethane



950.51.90090



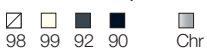
**HEWI Backrest rail**

- fulfils the requirements acc. to DIN 18040 and ÖNORM B 1600/1601
- mounting with hinged support rails 950.50....
- c to c 650 to 700 mm adjustable on site, 150 mm deep
- backrest 350 mm wide, 390 mm high
- backrest made of glass fibre reinforced polyamide
- mounting bar made of metal, powder-coated
- available in HEWI colours 98 (signal white) and 92 (anthracite grey)

Please advise colour when ordering.

Can be combined with all mobile hinged support rails.

**HEWI Colours | Surfaces**



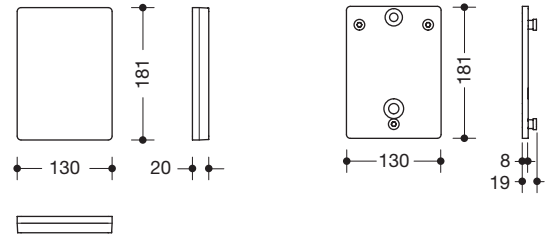
Ordering aid can be found in our online catalogue directly at the product.

Item Number

Dimensions in mm / Specification



Drill hole



950.50.10040

**HEWI Mounting plate with cover**

- 130 mm wide, 181 mm high, 20 mm deep
- mounting plate made of stainless steel
- frame cover made of high-quality polyamide in HEWI colour 98 (signal white), face plate made of stainless steel, mirror polished
- for wall-mounting with non-corrosive and tested HEWI fixing material for different wall constructions (to be ordered separately)

**Fixing material BM10.2 to BM18.2** to be ordered separately page 738

950.50.01440

**HEWI Mounting plate**

- 130 mm wide, 181 mm high, 19 mm deep
- made of stainless steel, high-quality chrome-plated
- for wall-mounting with non-corrosive and tested HEWI fixing material for different wall constructions (to be ordered separately)

950.50.01540

**HEWI Cover for mounting plate**

- for cover of the mounting plate by simple replacement
- 130 mm wide, 181 mm high, 12 mm deep
- frame cover made of high-quality polyamide in HEWI colour 98 (signal white), face plate made of stainless steel, mirror polished

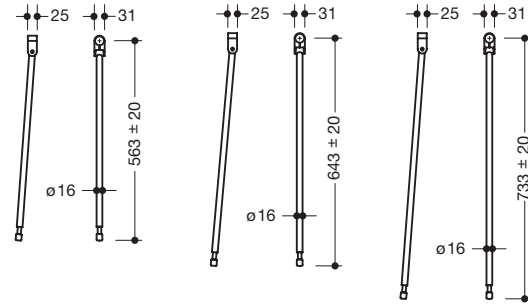
- Mounting plate
- Face plate
- Frame



950.50.013

**HEWI Protection and storage bag**

- for storing the mobile hinged support rails 950.50...
- made of high-quality, tear-resistant white synthetic material sheeting
- high-quality fleece lining on the inside to protect the surfaces of the hinged support rails
- 1035 mm high, 335 mm wide
- with pull-cord for closing



**HEWI Floor support**

- for retrofitting on hinged support rails Duo 950.50....
- height adjustment possible within range of ± 20 mm
- connection made of high-quality polyamide in HEWI colours 98 (signal white), 99 (pure white), 92 (anthracite grey) or 90 (jet black)
- support made of high-quality stainless steel, satin finished
- vertical length 563 mm, for mounting height 680 mm
- fulfils height adjustment requirements according to DIN 18040
- vertical length 643 mm, for mounting height 760 mm
- fulfils height adjustment requirements according to ÖNORM B 1600/1601
- vertical length 733 mm, for mounting height 850 mm

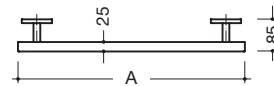
Please advise colour when ordering.

- ☑ Floor support
- ☑ □ ■ ■ Connection

950.50.026XA

950.50.020XA

950.50.025XA



**HEWI Support rail**

- □ 25 mm, 85 mm deep
- wall connection with filigree supports, perpendicular to wall ø 18 mm and flat, square roses □ 80 mm, 10 mm high
- easy installation due to individually mounted fixing plates made of high-quality stainless steel for hanging the support rails
- made of metal, high-quality chrome-plated
- including non-corrosive HEWI fixing material
- length A = 400 mm
- length A = 600 mm
- length A = 900 mm



950.36.61040

950.36.63040

950.36.64040



63157

**HEWI Rose cover for mobile solutions** see Fixings page 743

**Please note when using with removable hanging seats**

Compatibility check required. A detailed list of the possible combinations of support rails, L-shaped support rails and shower head rails with matching removable hanging seats can be found in our online catalogue in the download area of the respective product.

**HEWI Colours | Surfaces**

- ☑ 98 99 92 90
- ☑ Chr XA XC

## System 100



### PRODUCT CHARACTERISTICS

- Comprehensive system solutions comprising sanitary products as well as also handrails and fittings enable a continuous design from the front door through to the bathroom
- High quality due to utilising real materials, such as e.g. inserts made of satin-finished crystal glass
- High product range depth enables the design of individual bathrooms tailor-made to the wishes of the user

### RECOMMENDED APPLICATION AREAS

Home, Hotel



# System 100

## DESIGN

Phoenix Design, Stuttgart/Munich/Shanghai

## MATERIAL AND SURFACES

High-quality chrome-plated, inserts made of satin crystal glass

## ACCESSORIES

Product range	482
Basin area	485 – 487
Toilet area	487 – 488
Shower and bath area	489 – 490



ACCESSORIES



**Tumbler with holder**  
 100.04.12145 page 485

- Holder
- Tumbler



**Soap dispenser with holder**  
 100.06.11045 page 485

- Holder, pump head
- Soap dispenser



**Soap dish with holder**  
 100.02.11145 page 485

- Holder
- Soap dish



**Shelf**  
 100.03.10045 | 600 mm page 486

- Holder
- Shelf plate



**Support rail**  
 100.03.01040 page 486

- 



**Towel rail**  
 100.09.10040 | 490 mm page 486

- 



**Hooks**  
 100.90.01040 page 486  
 100.90.02040 page 487

- 



**Double hook**  
 100.90.03040 page 487

- 



**Toilet roll holder**  
 100.21.10040 page 487

- 



**Spare roll holder**  
 100.21.20040 page 487

- 



**Toilet brush unit | Toilet brush**  
 100.20.10045 page 488  
 100.20.01040 page 488

- Holder and brush handle
- Brush container



**Support rail**  
 100.36.1...40 page 489

- 



**Bath towel rail**  
 100.30.20040 | 600 mm page 489  
 100.30.21040 | 900 mm page 489

- 



**Bath towel shelf**  
 100.30.10040 | 600 mm page 489

- 



**Shower basket | Hook set**  
 100.03.20040 page 490  
 100.03.02040 page 490

-

**ACCESSIBILITY**



**Hinged support rail Mono**

950.50.61040 | 600 mm page 476  
 950.50.61140 | mobile page 476



**Hinged support rail Duo**

950.50.62040 | 700 mm page 476  
 950.50.63040 | 850 mm page 476  
 950.50.64040 | 900 mm page 476  
 950.50.62140 | mobile page 476  
 950.50.63140 | mobile page 476



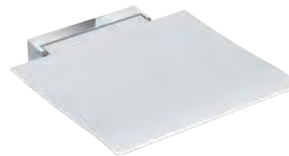
**Support rail**

950.36.6..40 page 479



**Hinged seat 350**

950.51.20... page 526  
 950.51.40... | mobile page 526



**Hinged seat 450**

950.51.21... page 527  
 950.51.41... | mobile page 527

**MATCHING PRODUCTS**

System 100 can be supplemented with the following products.



**Fittings**

from page 569



**Washbasins**

from page 589



**Mirrors**

from page 641



**Rail w. shower head holder** p. 260



**Dispenser products** from page 655

# System 100 Accessories



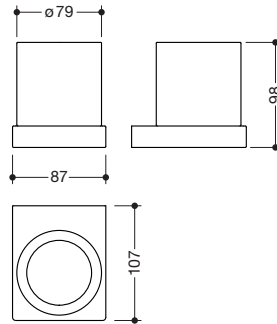


Item Number

Dimensions in mm / Specification



**100.04.12145**



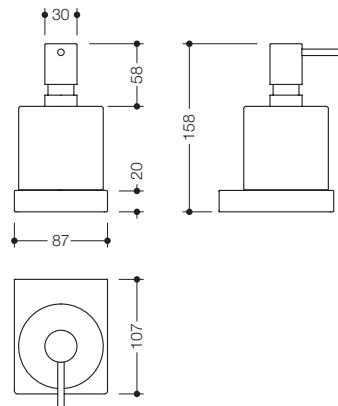
**HEWI Tumbler with holder**

- holder made of metal, high-quality chrome-plated
- with protective ring made of flexible polyethylene for a secure, defined position and to protect the glass insert from damage
- tumbler made of high-quality, satin crystal glass,  $\varnothing$  79 mm
- for wall mounting, concealed fixing
- 87 mm wide, 98 mm high and 107 mm deep
- including non-corrosive HEWI fixing material

- Holder
- Tumbler



**100.06.11045**



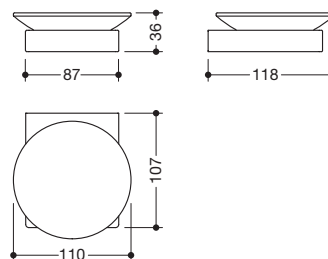
**HEWI Soap dispenser with holder**

- to be filled with standard liquid soap, disinfectants and gels
- holder made of metal, high-quality chrome-plated
- with protective ring made of flexible polyethylene for a secure, defined position and to protect the glass insert from damage
- soap dispenser made of high-quality, satin crystal glass
- for wall mounting, concealed fixing
- 87 mm wide, 158 mm high and 107 mm deep
- including non-corrosive HEWI fixing material

- Holder
- Soap dispenser



**100.02.11145**



**HEWI Soap dish with holder**

- holder made of metal, high-quality chrome-plated
- with protective ring made of flexible polyethylene for a secure, defined position and to protect the glass insert from damage
- soap dish made of high-quality, satin crystal glass
- for wall mounting, concealed fixing
- 110 mm wide, 36 mm high and 118 mm deep
- including non-corrosive HEWI fixing material

- Holder
- Soap dish

**HEWI Colours | Surfaces**

- Chr
- Glass

**100.04.E01**  
**62523**  
**100.06.E01**  
**100.03.E02**

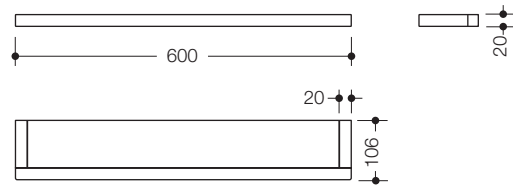
**HEWI Glass tumbler**  
**HEWI Soap dish**  
**HEWI Glass container**  
**HEWI Pump head, chrome**

Item Number

Dimensions in mm / Specification



100.03.10045



**HEWI Shelf**

- shelf with all-round edge with square profile and high-quality, satin glass top
- for wall mounting, concealed fixing
- 600 mm wide, 20 mm high and 106 mm deep
- square profile made of metal, high-quality chrome-plated
- including non-corrosive HEWI fixing material

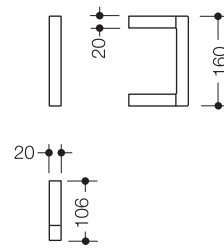
- Square profile
- Shelf

100.03.E01

**HEWI Glass plate**



100.03.01040

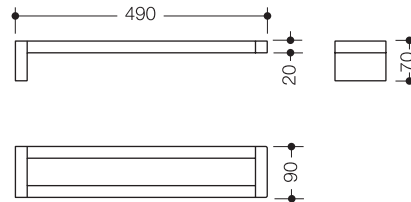


**HEWI Support rail**

- for holding on to and independently standing up
- combinable with HEWI shelf 100.03.10045
- for wall mounting, concealed fixing
- 20 mm wide, 160 mm high and 106 mm deep
- square profile made of metal, high-quality chrome-plated
- including non-corrosive HEWI fixing material



100.09.10040

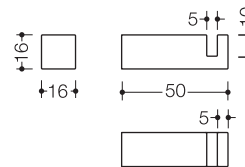


**HEWI Towel rail**

- double towel rail with parallel bars
- rigid design, for wall mounting, concealed fixing
- outer length 490 mm, 90 mm wide
- square profile made of metal, high-quality chrome-plated
- including non-corrosive HEWI fixing material



100.90.01040



**HEWI Hook**

- for wall mounting, concealed fixing
- 50 mm deep, □ 16 mm
- square profile made of metal, high-quality chrome-plated
- including non-corrosive HEWI fixing material



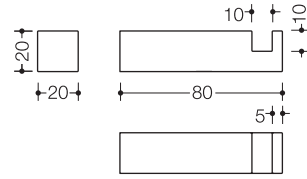
Detailed information about the spare parts can be found here:  
[www.hewi.com/en/spare-parts](http://www.hewi.com/en/spare-parts)

Item Number

Dimensions in mm / Specification

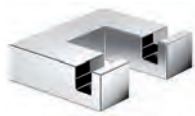


**100.90.02040**

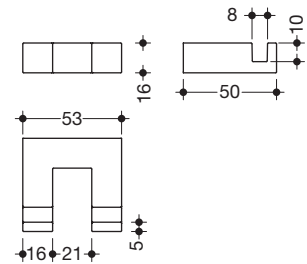


**HEWI Hook**

- for wall mounting, concealed fixing
- 80 mm deep, □ 20 mm
- square profile made of metal, high-quality chrome-plated
- including non-corrosive HEWI fixing material



**100.90.03040**

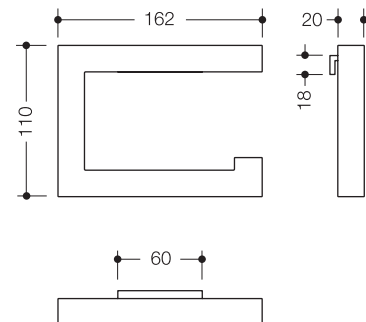


**HEWI Double hook**

- for wall mounting, concealed fixing
- 50 mm deep, 53 mm wide, □ 16 mm
- square profile made of metal, high-quality chrome-plated
- including non-corrosive HEWI fixing material



**100.21.10040**

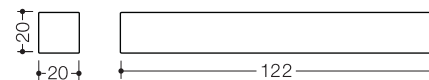


**HEWI Toilet roll holder**

- U-shaped, open-ended on the right, with square profile
- for wall mounting, concealed fixing
- 162 mm wide and 110 mm high, □ 20 mm
- square profile made of metal, high-quality chrome-plated, hinged
- including non-corrosive HEWI fixing material



**100.21.20040**



**HEWI Spare roll holder**

- for wall mounting, concealed fixing
- 122 mm deep, □ 20 mm
- square profile made of metal, high-quality chrome-plated
- including non-corrosive HEWI fixing material

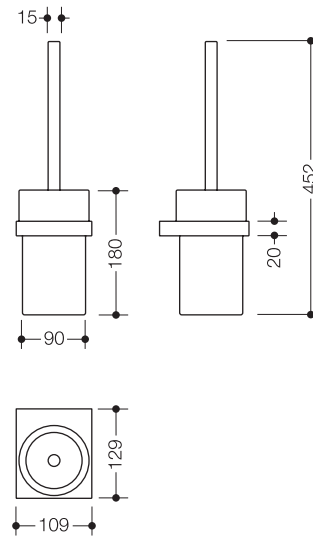


**HEWI Colours | Surfaces**

- Chr
- Glass

Item Number

Dimensions in mm / Specification



100.20.10045

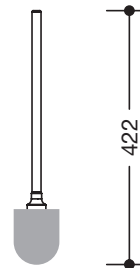
**HEWI Toilet brush unit**

- consisting of toilet brush, glass brush container and holder
- with protective ring made of flexible polyethylene for a secure, defined position and to protect against damage to the glass brush holder
- brush head can be replaced due to bayonet fixing
- for wall mounting, concealed fixing
- 109 mm wide, 452 mm high and 129 mm deep
- holder and brush handle made of metal, high-quality chrome-plated
- round glass brush container made of high-quality, satin crystal glass
- including non-corrosive HEWI fixing material

- Holder and brush handle
- Container

100.20.E01

**HEWI Brush container**



100.20.01040

**HEWI Toilet brush**

- brush handle made of metal, high-quality chrome-plated
- brush head made of black polyamide with anthracite grey bristles
- brush head easily replaceable by bayonet fixing
- 422 mm long, ø 76 mm

- Brush handle

921050

921051

921052

**HEWI Brush head, packing unit 1**

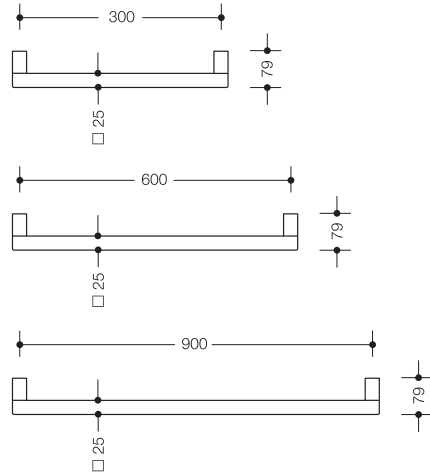
**HEWI Brush head, packing unit 5**

**HEWI Brush head, packing unit 25**

Detailed information about the spare parts can be found here:  
[www.hewi.com/en/spare-parts](http://www.hewi.com/en/spare-parts)

Item Number

Dimensions in mm / Specification

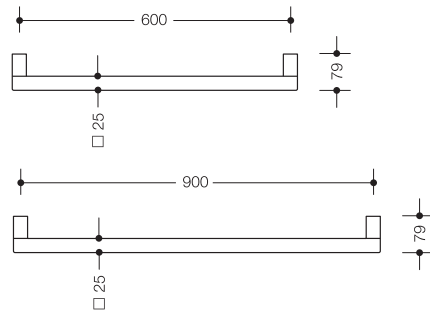


**HEWI Support rail**

- for wall mounting, concealed fixing
- □ 25 mm, 79 mm deep, square profile made of metal, chrome-plated
- including non-corrosive HEWI fixing material

c to c 300 mm  
c to c 600 mm  
c to c 900 mm

**100.36.10040**  
**100.36.11040**  
**100.36.12040**

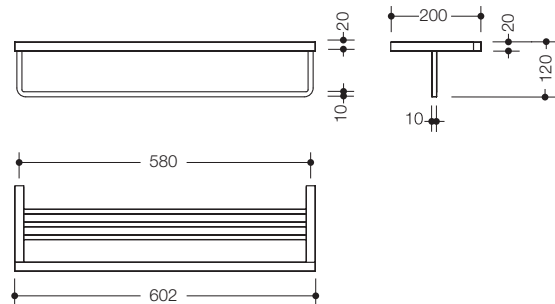


**HEWI Bath towel rail**

- for wall mounting, concealed fixing
- □ 25 mm, 79 mm deep, square profile made of metal, chrome-plated
- including non-corrosive HEWI fixing material

c to c 600 mm  
c to c 900 mm

**100.30.20040**  
**100.30.21040**



**HEWI Bath towel shelf**

- for wall mounting, concealed fixing
- 602 mm wide, 120 mm high and 200 mm deep
- square profile made of metal, high-quality chrome-plated
- including non-corrosive HEWI fixing material

**100.30.10040**

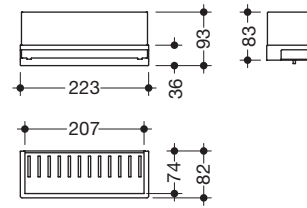


**HEWI Colours | Surfaces**

- Chr
- Glass

Item Number

Dimensions in mm / Specification



100.03.20040

**HEWI Shower basket**

- for wall mounting concealed fixing or can be positioned securely on support rail 100.36...
- insert made of satin finished acrylic glass, with discharge holes to allow water to drain
- 223 mm wide, 93 mm high and 82 mm deep
- including non-corrosive HEWI fixing material
- frame made of metal, high-quality chrome-plated



100.36...

**HEWI Support rail** to be ordered separately see page 489

100.03.02040

**HEWI Hook set for shower basket**

- for fixing onto shower basket 100.03.20040
- 57 mm long and 31 mm deep
- two hooks made of metal, high-quality chrome-plated

■ Insert made of acrylic glass

**HEWI Colours | Surfaces**

■ Chr



## S 50 Height-adjustable modules



expert  
favorite 2016



### PRODUCT CHARACTERISTICS

- Infinitely adjustable height adjusting washbasin and toilet modules provide accessible comfort at the press of a button
- Simple operation via remote control
- Compact design: The distance from wall to front element (extension module) is 25 mm; in addition, the functional elements (such as, for example, mirrors or actuator plates) are integrated flush with the surface
- The toilet module can be optionally supplemented with a hinged support rail

### RECOMMENDED APPLICATION AREAS

Home





# S 50 Height-adjustable modules

## DESIGN

HEWI, Bad Arolsen

## MATERIAL AND SURFACES

Surfaces made of white Plexiglas.

## S 50 HEIGHT-ADJUSTABLE MODULES

Overview	494 – 495
Examples	496 – 497
Washbasin	498 – 502
WC	503 – 507
Mounting plates hinged sup. rails	508 – 511
Overview hinged support rails   acc.	512 – 513





**Washbasin module**  
S50.01.202010 page 499  
with washbasin 950.11.101



**Washbasin module**  
S50.01.302010 page 500  
with washbasin M40.11.501



**Washbasin module**  
S50.01.702010 page 501  
with washbasin 950.11.161



**Washbasin module**  
S50.01.902010 page 502  
with washbasin 950.13.201

**Washbasin module**  
S50.01.502010 page 499  
with washbasin 950.11.121



**Washbasin module**  
S50.01.212010 page 499  
with illuminated mirror and  
washbasin 950.11.101



**Washbasin module**  
S50.01.312010 page 500  
with illuminated mirror and  
washbasin M40.11.501



**Washbasin module**  
S50.01.712010 page 501  
with illuminated mirror and  
washbasin 950.11.161



**Washbasin module**  
S50.01.912010 page 502  
with illuminated mirror and  
washbasin 950.13.201

**Washbasin module**  
S50.01.512010 page 499  
with illuminated mirror and  
washbasin 950.11.121



**WC module**  
S50.02.102010 page 505  
with manual actuation plate



**WC module**  
S50.02.112010 page 507  
with sensor controlled flushing  
mechanism

**PRODUCT CHARACTERISTICS**

- compact design
- fronts made of high-quality Plexiglas in white
- the smooth, soil-resisting surface is particularly hygienic
- functional elements like mirror and activation plate are let-in flush and therefore, easy to clean



At [www.hewi.com/pls50](http://www.hewi.com/pls50) you will find technical information and a current list (page 7) of washlets that can be combined.



**Mounting plate hinged sup. rail**  
S50.02.0001... page 508  
for Ranges 801, 805 Classic,  
System 900, Design B



**Mounting plate hinged sup. rail**  
S50.02.00021 page 510  
for Ranges and Systems 100, 800,  
800 K, 805, WARM TOUCH



**Mounting plate hinged sup. rail**  
S50.02.0003... page 509  
for Range 802 LifeSystem



**Mounting plate hinged sup. rail**  
S50.02.0004... page 511  
for System 900, Design A

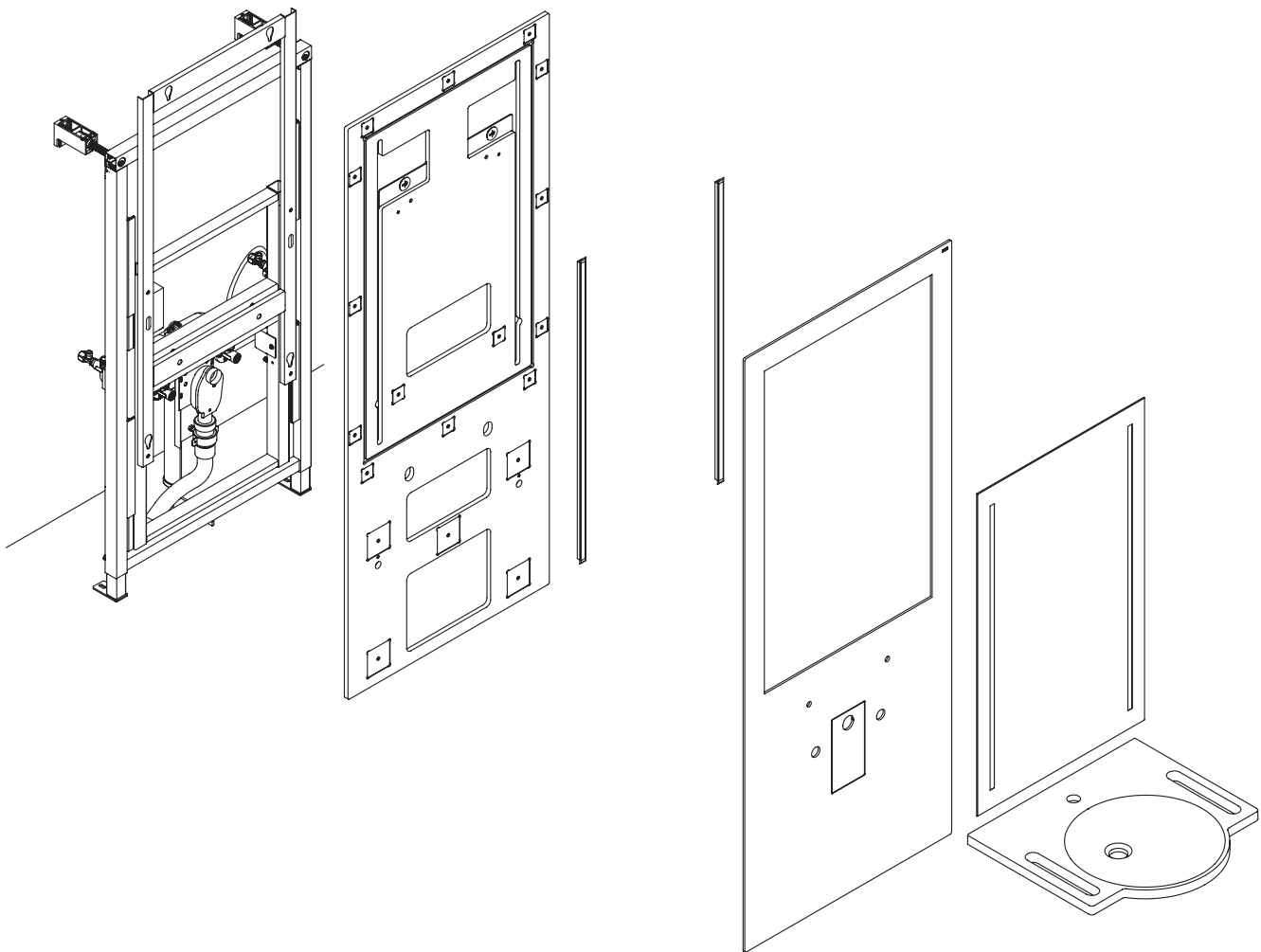
The height-adjustable S 50 modules are specified as a complete system and are delivered in 2 phases to match construction phases.

· Example: Washbasin module

**1. Shell and core phase:  
Pre-wall installation**

**2. Construction phase/Completion:  
Finishes module**

	HPL panel	LED light strip	Plexiglas front	Mirror and washbasin
--	-----------	-----------------	-----------------	----------------------



• Example: WC module

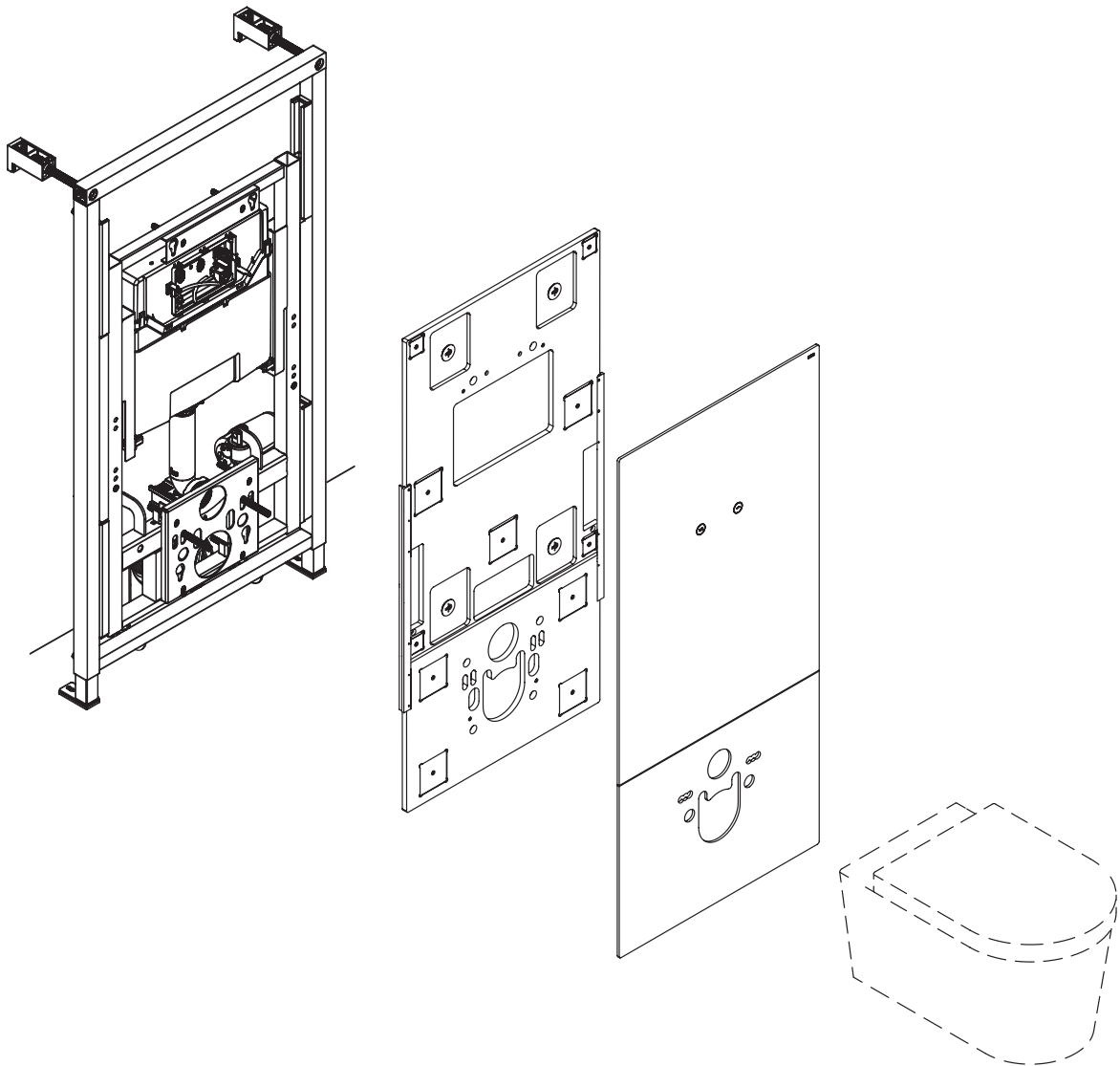
**1. Shell and core phase:  
Pre-wall installation**

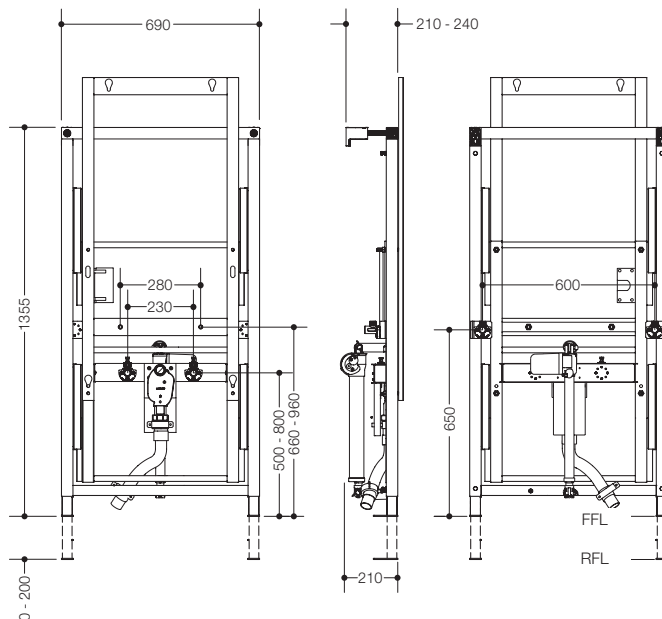


**2. Construction phase/Completion:  
Finishes module**

HPL panel

Plexiglas front





**S50.01.01000**

**HEWI Pre-wall installation washbasin**

- pre-wall element for electrically height-adjustable washbasin
- controlled by radio remote control (included in delivery)
- washbasin height adjustable continuously by 300 mm (700/710 – 1000/1010 mm)
- adaptable initial height of the washbasin due to adjustable floor supports
- floor support height adjustable by 200 mm
- 690 mm wide, 1355 – 1505 mm high and 210 – 240 mm deep
- made of steel, powder coated
- loading capacity up to 150 kg
- incl. floor and wall fixing materials for concrete and sand-lime brick, for different wall types please order BM1288 or BM1305
- sound isolation of all pipes and the installation element from the building structure, approval according to DIN 4109, ÖNORM B 8115 and SIA 181

**To be provided by customer:**

- 2 water connections 1/2" for water inlet (hot and cold water)
- 2 flex hoses 1/2" for water inlet and outlet, connection height 650 mm)
- power connection 230 V
- possibly extension wastewater pipe DN40

**BM1288**

**HEWI Fixing material**

- for fixing on walls made of:
  - perforated calcium silicate block, hollow concrete block, vertically perforated bricks, hollow lightweight concrete block, solid bricks or lightweight aggregate concrete with open structure

**BM1305**

**HEWI Fixing material**

- for fixing to drywall reinforcement profiles

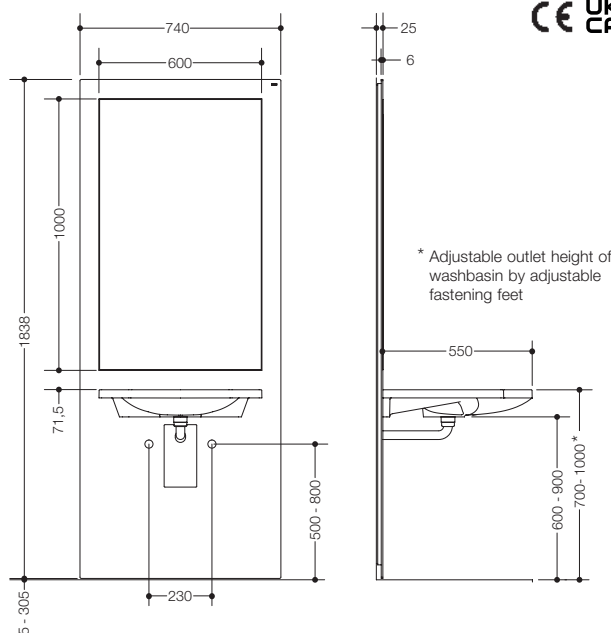
Spare parts **65059**

**HEWI Flex hose**

Detailed information about the spare parts can be found here: [www.hewi.com/en/spare-parts](http://www.hewi.com/en/spare-parts)

Item Number

Dimensions in mm / Specification



\* Adjustable outlet height of washbasin by adjustable fastening feet

**HEWI Washbasin module S 50 with mirror**

- washbasin add-on module with flat front view
- for the prewall element washbasin S50.01.01000, electrically height-adjustable by 300 mm (to be ordered separately)
- incl. HEWI washbasin, in-wall trap (with odour trap), mirror 600 x 1000 mm and Fidlock fixing set for the remote control (anti-theft device for remote control S50.01.00001, to be ordered separately), supplied without fittings
- 740 mm wide, 1838 mm high and 25 mm deep (without washbasin)
- surface made of 6 mm Plexiglas
- wall joint with brush seal
- washbasin:
  - made of mineral composite with non-porous surface
  - 600 mm wide, 100 mm high and 550 mm deep
  - without overflow, prepared for single hole mixer tap
  - loading capacity to EN 14688 with 150 kg
  - wheelchair accessible to DIN 18040 and ÖNORM B 1600/1601



with washbasin 950.11.101 (with gripping feature)

**S50.01.202010**



with washbasin 950.11.121 (without gripping feature)

**S50.01.502010**

- Plexiglas front white with washbasin 950.11.101
- Plexiglas front white with washbasin 950.11.121

**To be provided by customer:**

- single hole mixer tap incl. inlet hoses 1/2" for cold and hot water (each 1 x)
- shut-off valves 1/2" (2x), where appropriate an extension (2x)

**Recommendation:**

- Hansgrohe shut-off valves S (item no. 13901000)
- Viega extension/thread fitting 1/2" x 100 mm (item no. 357245)



□

**S50.01.212010**

**S50.01.512010**

**HEWI Washbasin module S 50 with LED illuminated mirror**

- do., LED illuminated mirror with vertical lighting is inset flush with the surface
- light temperature are continuously adjustable from warm white to cool white by radio remote control
- lighting dimmable, high-quality Flex-LED 12V, approx. 14 watt
- protection class II, IP rating IP20
- energy efficiency class A++, A+, A acc. to ordinance (EU) 874/2012
- Plexiglas front white with washbasin 950.11.101
- Plexiglas front white with washbasin 950.11.121

**Plexiglas-colours**

□ white

Spare parts

**65056**

**65057**

**65058**

Accessories

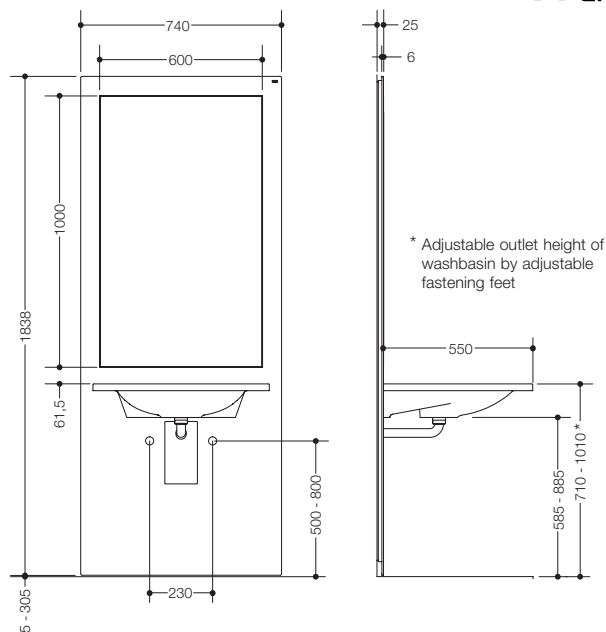
**S50.01.00001**

**HEWI Remote control**

**HEWI Remote control receiver**

**HEWI Remote control LED illuminated mirror**

**HEWI Fidlock anti-theft device for remote control 65056** see page 512



S50.01.302010

**HEWI Washbasin module S50 with mirror**

- washbasin add-on module with flat front view
- for the prewall element washbasin S50.01.01000, electrically height-adjustable by 300 mm (to be ordered separately)
- incl. HEWI washbasin M40.11.501, in-wall trap (with odour trap), mirror 600 x 1000 mm and Fidlock fixing set for the remote control (anti-theft device for remote control S50.01.00001, to be ordered separately), supplied without fittings
- 740 mm wide, 1838 mm high and 25 mm deep (without washbasin)
- surface made of 6 mm Plexiglas in white
- wall joint with brush seal
- washbasin:
  - made of mineral composite with non-porous surface
  - 650 mm wide, 125 mm high and 550 mm deep
  - without overflow, prepared for single hole mixer tap
  - with gripping features on the side
  - loading capacity to EN 14688 with 150 kg
  - wheelchair accessible to DIN 18040 and ÖNORM B1600/1601



with washbasin M40.11.501

**To be provided by customer:**

- single hole mixer tap incl. inlet hoses 1/2" for cold and hot water (each 1 x)
- shut-off valves 1/2" (2x), where appropriate an extension (2x)

**Recommendation:**

- Hansgrohe shut-off valves S (item no. 13901000)
- Viega extension/thread fitting 1/2" x 100 mm (item no. 357245)



S50.01.312010

**HEWI Washbasin module S50 with LED illuminated mirror**

- do., LED illuminated mirror with vertical lighting is inset flush with the surface
- light temperature are continuously adjustable from warm white to cool white by radio remote control
- lighting dimmable, high-quality Flex-LED 12V, approx. 14 watt
- protection class II, IP rating IP20
- energy efficiency class A++, A+, A acc. to ordinance (EU) 874/2012

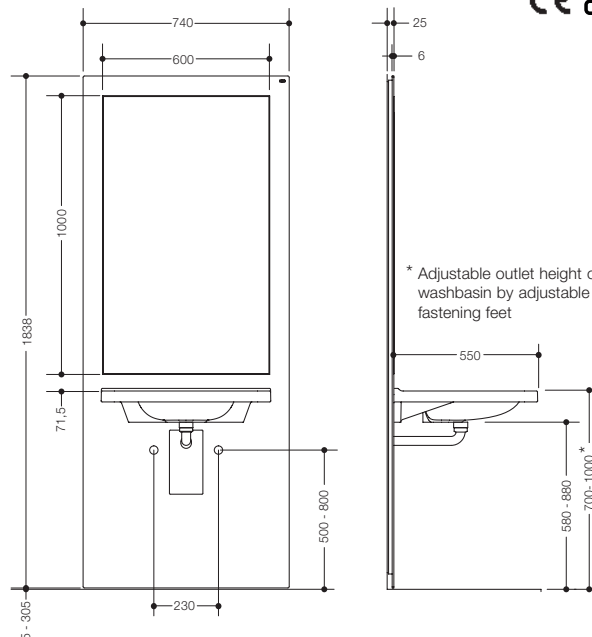
- Spare parts **65056**  
**65057**  
**65058**  
 Accessories **S50.01.00001**

- HEWI Remote control**  
**HEWI Remote control receiver**  
**HEWI Remote control LED illuminated mirror**  
**HEWI Fidlock anti-theft device for remote control 65056** see page 512



Item Number

Dimensions in mm / Specification



**S50.01.702010**

**HEWI Washbasin module S 50 with mirror**

- washbasin add-on module with flat front view
- for the prewall element washbasin S50.01.01000, electrically height-adjustable by 300 mm (to be ordered separately)
- incl. HEWI washbasin 950.11.161, in-wall trap (with odour trap), mirror 600 x 1000 mm and Fidlock fixing set for the remote control (anti-theft device for remote control S50.01.00001, to be ordered separately), supplied without fittings
- 740 mm wide, 1838 mm high and 25 mm deep (without washbasin)
- surface made of 6 mm Plexiglas in white
- wall joint with brush seal
- washbasin:
  - made of mineral composite with non-porous surface
  - 650 mm wide, 130 mm high and 550 mm deep
  - without overflow, prepared for single hole mixer tap
  - with gripping features on the side
  - loading capacity to EN 14688 with 150 kg
  - wheelchair accessible to DIN 18040 and ÖNORM B1600/1601



with washbasin 950.11.161

**To be provided by customer:**

- single hole mixer tap incl. inlet hoses 1/2" for cold and hot water (each 1 x)
- shut-off valves 1/2" (2x), where appropriate an extension (2x)

**Recommendation:**

- Hansgrohe shut-off valves S (item no. 13901000)
- Viega extension/thread fitting 1/2" x 100 mm (item no. 357245)

**S50.01.712010**

**HEWI Washbasin module S 50 with LED illuminated mirror**

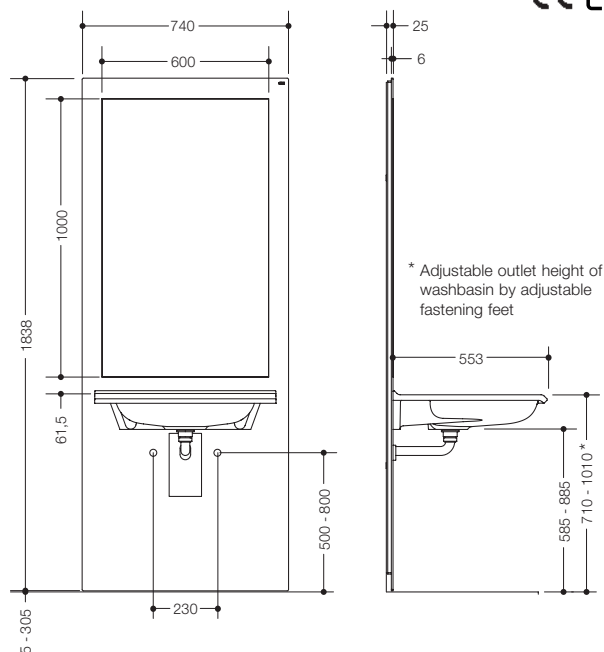
- do., LED illuminated mirror with vertical lighting is inset flush with the surface
- light temperature are continuously adjustable from warm white to cool white by radio remote control
- lighting dimmable, high-quality Flex-LED 12V, approx. 14 watt
- protection class II, IP rating IP20
- energy efficiency class A++, A+, A acc. to ordinance (EU) 874/2012



**Plexiglas-colours**

- white

Detailed information about the spare parts can be found here:  
[www.hewi.com/en/spare-parts](http://www.hewi.com/en/spare-parts)



**S50.01.902010**

**HEWI Washbasin module S50 with mirror**

- washbasin add-on module with flat front view
- for the prewall element washbasin S50.01.01000, electrically height-adjustable by 300 mm (to be ordered separately)
- incl. HEWI washbasin 950.13.201, in-wall trap (with odour trap), mirror 600 x 1000 mm and Fidlock fixing set for the remote control (anti-theft device for remote control S50.01.00001, to be ordered separately), supplied without fittings
- 740 mm wide, 1838 mm high and 25 mm deep (without washbasin)
- surface made of 6 mm Plexiglas in white
- wall joint with brush seal
- washbasin:
  - made of mineral composite with non-porous surface
  - with gushing edge to wall
  - 650 mm wide, 140 mm high and 550 mm deep
  - without overflow, prepared for single hole mixer tap
  - loading capacity to EN 14688 with 150 kg
  - wheelchair accessible to DIN 18040 and ÖNORM B1600/1601



with washbasin 950.13.201

**To be provided by customer:**

- single hole mixer tap incl. inlet hoses 1/2" for cold and hot water (each 1 x)
- shut-off valves 1/2" (2x), where appropriate an extension (2x)

**Recommendation:**

- Hansgrohe shut-off valves S (item no. 13901000)
- Viega extension/thread fitting 1/2" x 100 mm (item no. 357245)



**S50.01.912010**

**HEWI Washbasin module S50 with LED illuminated mirror**

- do., LED illuminated mirror with vertical lighting is inset flush with the surface
- light temperature are continuously adjustable from warm white to cool white by radio remote control
- lighting dimmable, high-quality Flex-LED 12V, approx. 14 watt
- protection class II, IP rating IP20
- energy efficiency class A++, A+, A acc. to ordinance (EU) 874/2012

**Plexiglas-colours**

- white

**Spare parts**

- 65056**
- 65057**
- 65058**

**Accessories**

- S50.01.00001**

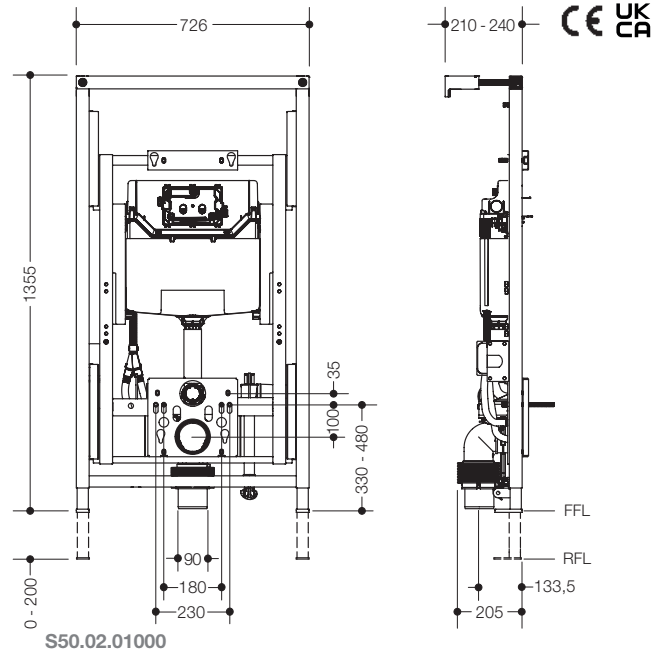
**HEWI Remote control**

**HEWI Remote control receiver**

**HEWI Remote control LED illuminated mirror**

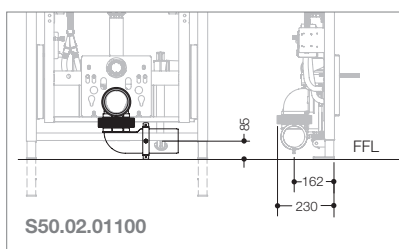
**HEWI Fidlock anti-theft device for remote control 65056** see page 512





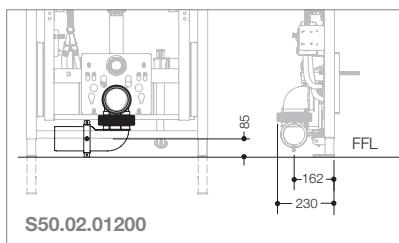
**HEWI Pre-wall installation WC (manual actuation plate)**

- prewall element for electrically height-adjustable toilet for add-on modules with manual actuation plate
- incl. adapter DN90/DN110, rubber adapter for sawn-off collar DN90/DN110 and adapter PVC DN90/DN100
- controlled by radio remote control (included in delivery)
- continuously adjustable by 150 mm (seat height approx. 425 – 575 mm)
- adaptable initial height due to adjustable floor supports, e.g. to accessibility seat height of 460 – 480 mm
- floor support, vertically adjustable by 200 mm
- 726 mm wide, 1355 – 1505 mm high and 210 – 240 mm deep
- made of steel, powder coated, weight capacity up to 150 kg
- including OLI120 Plus dual-flush cistern, 6/3 litre (adaptable to 4/2 - 7/3 litres) with pneumatic operation
- can be upgraded with hinged support rails (holder for mounting plate S50.02.00002 to be ordered separately. It's used to prepare the mounting of hinged support rails and as a mounting template for drywalls)
- incl. floor and wall fixing materials for concrete and sand-lime brick, for different wall types please order BM1288 or BM1305
- sound isolation of all pipes and installation element from the building structure, approval according to DIN 4109, ÖNORM B 8115, SIA 181
- water connection 1/2"



**S50.02.01000**

**S50.02.01100**



**S50.02.01200**

**HEWI Pre-wall installation WC I (manual actuation plate)**

- floor drain DN90 mm at a predetermined position

**HEWI Pre-wall installation WC III (manual actuation plate)**

- with lateral drain, right (from the viewpoint of the installer)

**HEWI Pre-wall installation WC V (manual actuation plate)**

- with lateral drain, left (from the viewpoint of the installer)

**To be provided by customer:**

- power connection 230 V
- water connection 1/2" for the cistern
- flex hose 1/2" for connection with the cistern (in the selection of the length is taken into account that the toilet is adjustable in height)
- floor drain ø 90 mm at a specified position (for S50.02.01000)
- lateral distance: maximum distance to the riser 4 m (for S50.02.01100 and S50.02.01200)

**BM1288, BM1305**

**HEWI Fixing material** see page 650

Spare parts **662...**  
Accessories **S50.02.00002**  
**S50.02.000...**

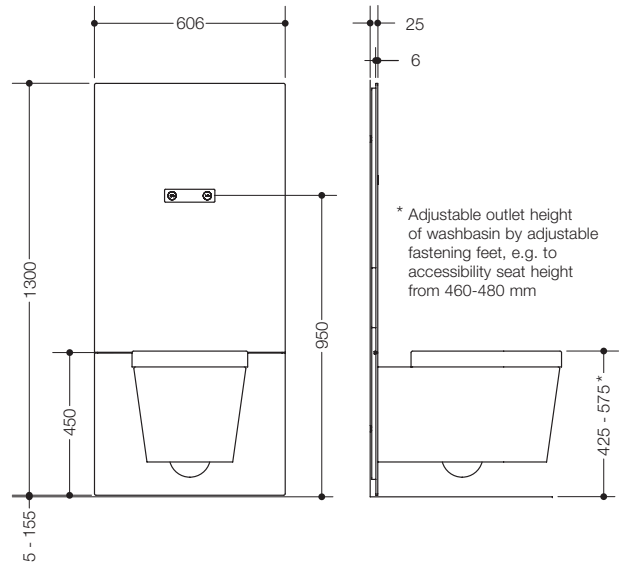
**HEWI Spare parts for cistern**  
**HEWI Holder for mounting plate hinged support rail** see page 512  
**HEWI Mounting plate hinged support rail S50** from page 508

Item Number

Dimensions in mm / Specification



S50.02.102010



**HEWI WC module (manual actuation plate)**

- WC expansion module with flat front elevation
- for the prewall element WC I, III and V, electrically height-adjustable by 150 mm (S50.02.01000, S50.02.01100 or S50.02.01200, to be ordered separately)
- supplied without ceramic appliances, standard ceramic appliances with a fixing spacing of 180 mm or 230 mm can be used
- incl. fixing material for the WC
- incl. Fidlock fixing set for the remote control (anti-theft device for remote control S50.01.00001, to be ordered separately)
- can be combined with selected bidet-WCs/washlets
- 606 mm wide, 1300 mm high and 25 mm deep
- surface made of 6 mm Plexiglas in white
- wall joint with brush seal
- with manual flushing panel made of Plexiglas, inset flush with the surface

**To be provided by customer:**

- WC ceramics incl. sound insulation



**Please note**

A current overview of the combinable washlets can be found in our planning information on page 7 unter [www.hewi.com/pls50](http://www.hewi.com/pls50)

**Plexiglas-colours**

- white

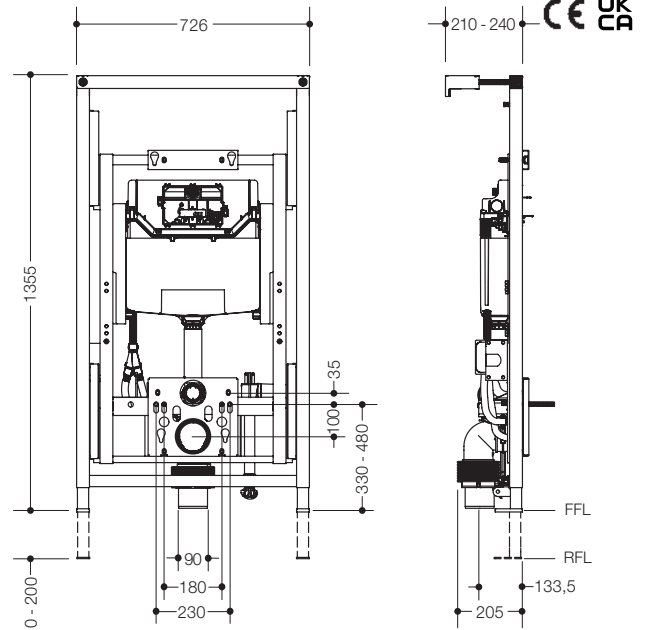
- Spare parts **65056, 65057, 65395**
- Accessories **S50.01.00001**

**HEWI Remote control and remote control receiver**

**HEWI Symbols WC flushing mechanism**

**HEWI Fidlock anti-theft device for remote control 65056** p. 512

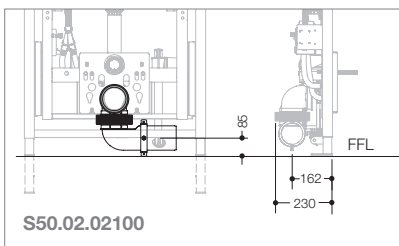
Detailed information about the spare parts can be found here: [www.hewi.com/en/spare-parts](http://www.hewi.com/en/spare-parts)



S50.02.02000

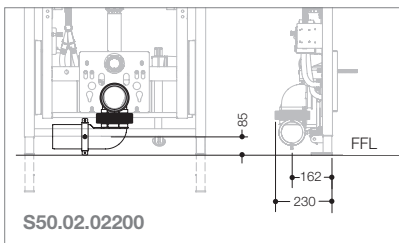
**HEWI Pre-wall installation WC (sensor controlled flushing mech.)**

- prewall element for electrically height-adjustable toilet for add-on modules with sensor-controlled flushing mechanism
- incl. adapter DN90/DN110, rubber adapter for sawn-off collar DN90/DN110 and adapter PVC DN90/DN100
- controlled by radio remote control (included in delivery)
- continuously adjustable by 150 mm (seat height approx. 425 – 575 mm)
- adaptable initial height due to adjustable floor supports, e.g. to accessibility seat height of 460 – 480 mm
- 726 mm wide, 1355 – 1505 mm high and 210 – 240 mm deep
- floor support, vertically adjustable by 200 mm
- made of steel, powder coated, weight capacity up to 150 kg
- including OL1120 Plus dual-flush cistern, 6/3 litre (adaptable to 4/2 - 7/3 litres) with sensor controlled flushing mechanism
- can be upgraded with hinged support rails (holder for mounting plate S50.02.00002 to be ordered separately. It's used to prepare the mounting of the hinged support rail and as a mounting template for the drywall)
- incl. floor and wall fixing materials for concrete and sand-lime brick, for different wall types please order BM1288 or BM1305
- sound isolation of all pipes and installation element from the building structure, approval according to DIN 4109, ÖNORM B 8115, SIA 181
- water connection 1/2"



S50.02.02000

S50.02.02100



S50.02.02200

**HEWI Pre-wall installation WC II (sensor controlled flushing mech.)**

- floor drain DN90 mm at a predetermined position

**HEWI Pre-wall installation WC IV (sensor controlled flushing mech.)**

- with lateral drain, right (from the viewpoint of the installer)

**HEWI Pre-wall installation WC VI (sensor controlled flushing mech.)**

- with lateral drain, left (from the viewpoint of the installer)

**To be provided by customer:**

- power connection 230 V
- water connection 1/2" for the cistern
- flex hose 1/2" for connection with the cistern (in the selection of the length is taken into account that the toilet is adjustable in height)
- floor drain ø 90 mm at a specified position (for S50.02.02000)
- lateral distance: maximum distance to the riser 4 m (for S50.02.02100 and S50.02.02200)

BM1288, BM1305

HEWI Fixing material see page 498

Spare parts 662...  
Accessories S50.02.00002  
S50.02.000...

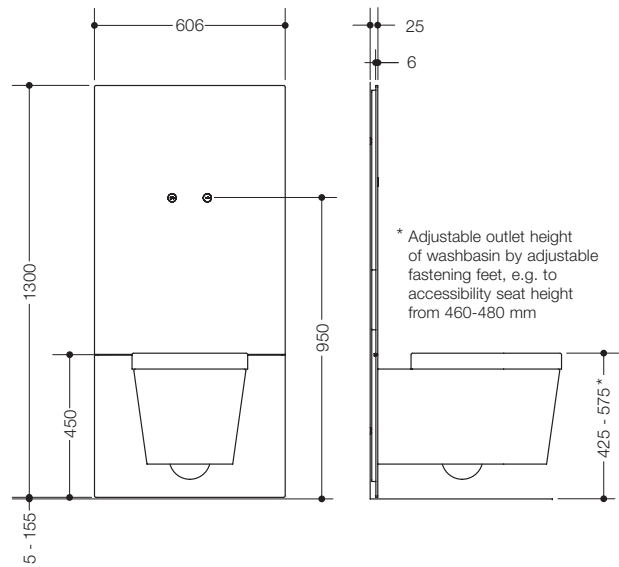
HEWI Spare parts for cistern  
HEWI Holder for mounting plate hinged support rail s. p. 512  
HEWI Mounting plate hinged support rail S50 from page 508

Item Number

Dimensions in mm / Specification



S50.02.112010



**HEWI WC module (sensor controlled flushing mechanism)**

- WC expansion module with flat front elevation
- for the prewall elements WC II, IV and VI, electrically height-adjustable by 150 mm (S50.02.02000, S50.02.02100 or S50.02.02200 to be ordered separately)
- supplied without ceramic appliances, standard ceramic appliances with a fixing spacing of 180 mm or 230 mm can be used
- incl. fixing material for the WC
- incl. Fidlock fixing for the remote control (anti-theft device for remote control 66270, to be ordered separately)
- can be combined with selected bidet-WCs/washlets
- 606 mm wide, 1300 mm high and 25 mm deep
- surface made of 6 mm Plexiglas in white
- wall joint with brush seal
- non-contact, sensor controlled flushing mechanism

**To be provided by customer:**

- WC ceramics incl. sound insulation



**Please note**

A current overview of the combinable washlets can be found in our planning information on page 7 unter [www.hewi.com/pls50](http://www.hewi.com/pls50)

**Plexiglas-colours**

- white

- Spare parts **65056, 65057  
65395**  
Accessories **S50.01.00001**

**HEWI Remote control and remote control receiver**

**HEWI Symbols WC flushing mechanism**

**HEWI Fidlock anti-theft device for remote control 65056** p. 512

Detailed information about the spare parts can be found here:  
[www.hewi.com/en/spare-parts](http://www.hewi.com/en/spare-parts)

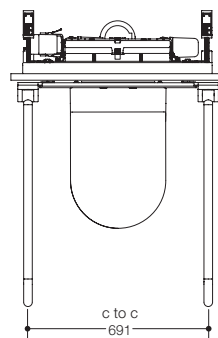
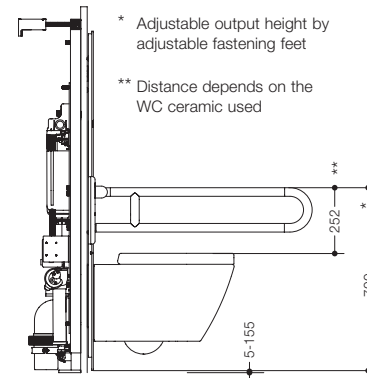
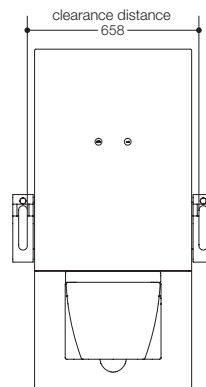
# S 50 Height-adjustable modules | Mounting plate hinged support rails

Item Number

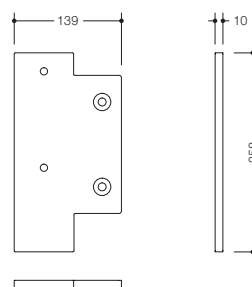
Dimensions in mm / Specification



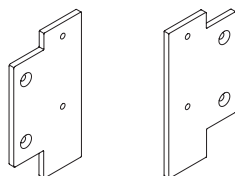
Image inclusive toilet and hinged support rails



WC module with hinged support rails



Mounting plate hinged support rail  
hinged support rail  
right handed version



**New** S50.02.00012  
**New** S50.02.00013

## HEWI Mounting plate hinged support rail

- upgrade kit for pre-equipping hinged support rails of HEWI Ranges 801 and 805 Classic or System 900, Design B
- made of steel, powder-coated
- mounting plate is attached to the holder for mounting plate S50.02.00002 (to be ordered separately, see page 512)
- supplied with fixing material for mounting on the fixture and fixing material for mounting the hinged support rail
- S 50 modules with sensor controlled flushing mechanism S50.02.02... are combinable with HEWI upgrade kit WC flushing mechanism (radio-controlled), the radio receiver S50.02.02001 is necessary (to be ordered separately)
- not combinable with mobile hinged support rails
- from users point of view left
- from users point of view right

## In addition to order: HEWI Hinged support rails

**900.50...**, Design B see System 900

**805.50...** see Range 805 Classic  
combinable with backrest rail 805.51.900,  
fixing material BM11.2.1 to be ordered separately

**801.50...** see Range 801  
combinable with backrest rail 801.51...900/801.51D900,  
fixing material BM11.2.1 to be ordered separately

Accessories **S50.02.00002**  
**S50.02.02001**  
**S50...00001**

**HEWI Holder for mounting plate hinged support rail** see page 512  
**HEWI Radio receiver** see page 512  
**HEWI Fidlock anti-theft device for remote control 65056** p. 512  
**Overview hinged support rails** see page 513

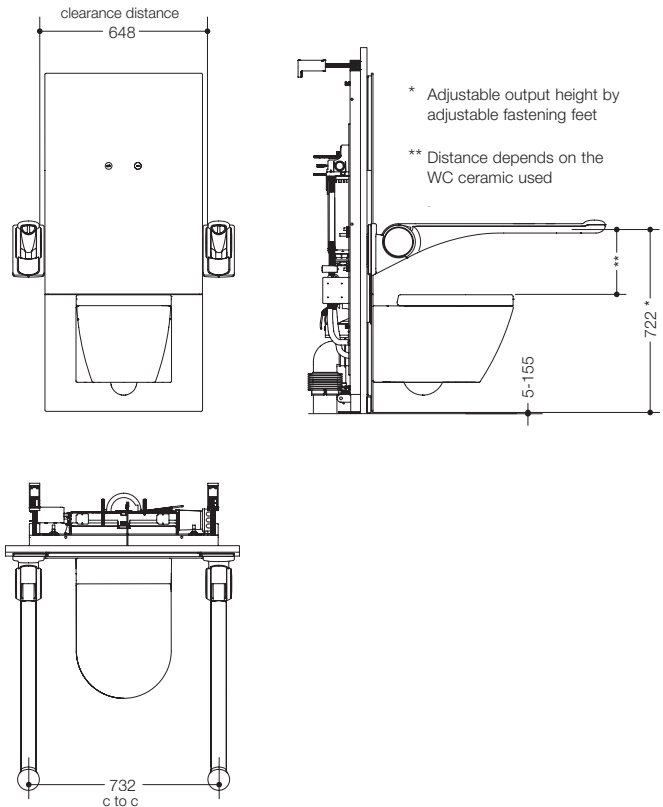


Item Number

Dimensions in mm / Specification

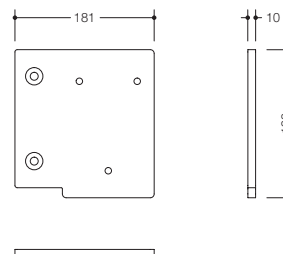


Image inclusive toilet and hinged support rails



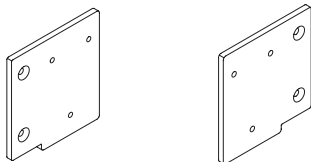
WC module with hinged support rails

Mounting plate hinged support rail left handed version



**HEWI Mounting plate hinged support rail**

- upgrade kit for pre-equipping hinged support rails of HEWI Range 802 LifeSystem
- made of steel, powder-coated
- mounting plate is attached to the holder for mounting plate S50.02.00002 (to be ordered separately, see page 512)
- supplied with fixing material for mounting on the fixture and fixing material for mounting the hinged support rail
- S 50 modules with sensor controlled flushing mechanism S50.02.02... are combinable with HEWI upgrade kit WC flushing mechanism (radio-controlled), the radio receiver S50.02.02001 is necessary (to be ordered separately)
- from users point of view left
- from users point of view right



**New** S50.02.00034  
**New** S50.02.00035

**In addition to order:** HEWI Hinged support rails

**802.50...** see Range 802 LifeSystem  
combinable with backrest rail 802.51.90160

Accessories **S50.02.00002**  
**S50.02.02001**  
**S50...00001**

**HEWI Holder for mounting plate hinged support rail** see page 512  
**HEWI Radio receiver** see page 512  
**HEWI Fidlock anti-theft device for remote control 65056** p. 512  
**Overview hinged support rails** see page 513

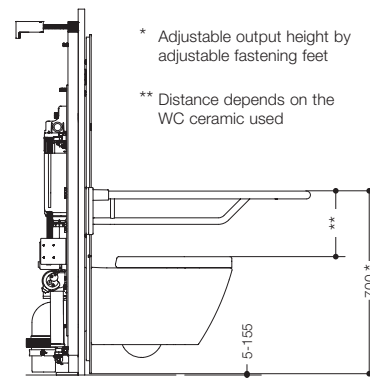
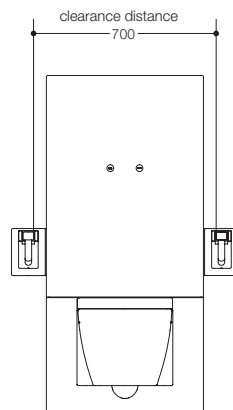
# S 50 Height-adjustable modules | Mounting plate hinged support rails

Item Number

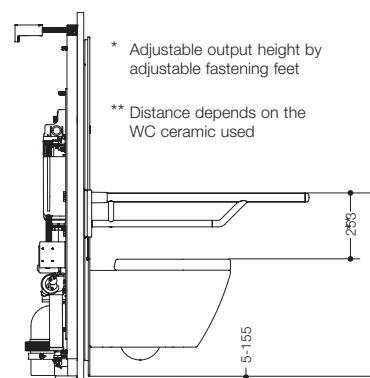
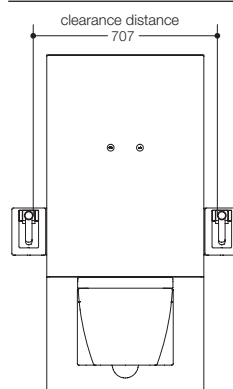
Dimensions in mm / Specification



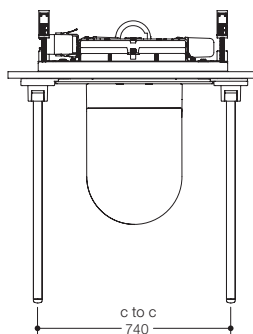
Image inclusive toilet and hinged support rails



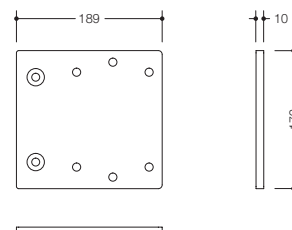
WC module with hinged support rails  
Systems 100, 800, 805



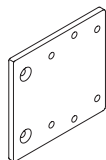
WC module with hinged support rails  
System 800 K, WARM TOUCH



Mounting plate hinged support rail



**New** S50.02.00021



## HEWI Mounting plate hinged support rail

- upgrade kit for pre-equipping hinged support rails of HEWI Range 800 K, WARM TOUCH and 950.50...
- can be used for left and right, made of steel, powder-coated
- mounting plate is attached to the holder for mounting plate S50.02.00002 (to be ordered separately, see page 512)
- supplied with fixing material for mounting on the fixture and fixing material for mounting the hinged support rail
- S50 modules with sensor controlled flushing mechanism S50.02.02... are combinable with HEWI upgrade kit WC flushing mechanism (radio-controlled), the radio receiver S50.02.02001 is necessary (to be ordered separately)
- not combinable with backrest rail or mobile hinged support rails

**In addition to order:** HEWI Hinged support rails

**950.50.1...50** see Range WARM TOUCH

**950.50.6...40** see System 100 / 800

**950.50.1...90** see System 800 K

**950.50.6...XA** see Range 805

Accessories **S50.02.00002**

**S50.02.02001**

**S50...00001**

**HEWI Holder for mounting plate hinged support rail** see page 512

**HEWI Radio receiver** see page 512

**HEWI Fidlock anti-theft device for remote control 65056** p. 512

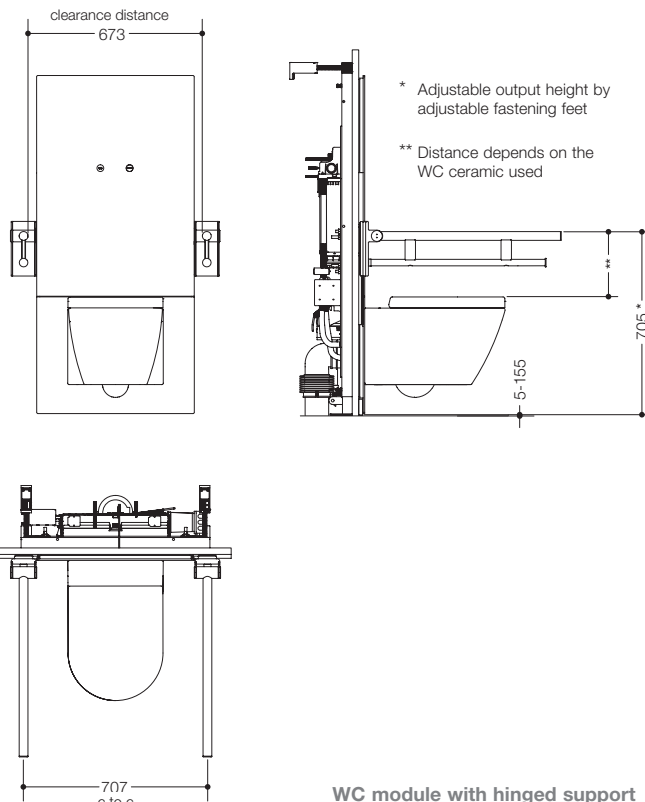
**Overview hinged support rails** see page 513

Item Number

Dimensions in mm / Specification

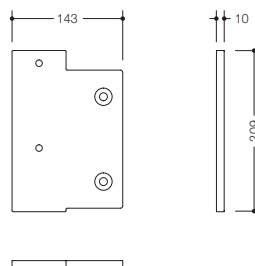


Image inclusive toilet and hinged support rails



**WC module with hinged support rails System 900**

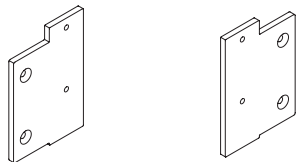
**Mounting plate hinged support rail right handed version**



**HEWI Mounting plate hinged support rail**

- upgrade kit for pre-equipping hinged support rails of HEWI hinged support rails System 900, Design A
- made of steel, powder-coated
- mounting plate is attached to the holder for mounting plate S50.02.00002 (to be ordered separately, see page 512)
- supplied with fixing material for mounting on the fixture and fixing material for mounting the hinged support rail
- S 50 modules with sensor controlled flushing mechanism S50.02.02... are combinable with HEWI upgrade kit WC flushing mechanism (radio-controlled), the radio receiver S50.02.02001 is necessary (to be ordered separately)
- not combinable with mobile hinged support rails
- from users point of view left
- from users point of view right

**In addition to order:** HEWI Hinged support rails  
**900.50...** see System 900 combinable with backrest rail 900.51.901... (for Design A)



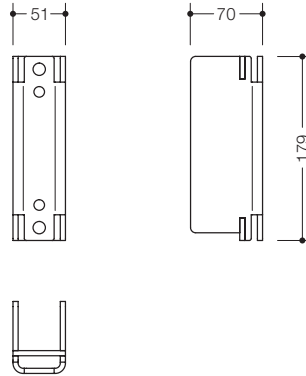
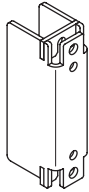
**New** S50.02.00042  
**New** S50.02.00043

Accessories **S50.02.00002**  
**S50.02.02001**  
**S50...00001**

**HEWI Holder for mounting plate hinged support rail** see page 512  
**HEWI Radio receiver** see page 512  
**HEWI Fidlock anti-theft device for remote control 65056** p. 512  
**Overview hinged support rails** see page 513

Item Number

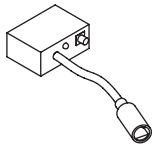
Dimensions in mm / Specification



**New** S50.02.00002

**HEWI Holder for mounting plate hinged support rail**

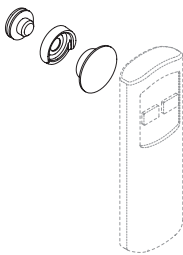
- for preparing the mounting of a hinged support rail on an S 50 WC module and as a mounting template for the drywall cut-out
- can be used for left and right, made of steel, powder-coated
- supplied with fixing material for mounting on prewall installation



S50.02.02001

**HEWI Radio receiver**

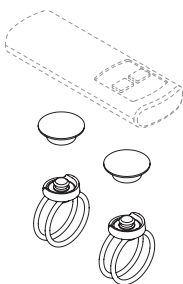
- for linking the HEWI WC (radio) flushing mechanism add-on kits for hinged-support rails to the S 50 height-adjustable toilet modules.
- can only be used in combination with the height-adjustable toilet prewall elements with sensor-controlled flushing mechanism S50.02.02000, 50.02.02000, S50.02.02100 or S50.02.02200



**New** S50.01.00001

**HEWI Fidlock fixing set with anti-theft device for remote control 65056**

- to protect the S 50 remote control from theft
- for fixing the remote control onto the wall, onto the module or onto the washbasin



**New** S50.02.00001

**HEWI Fidlock fixing set with anti-theft device for remote control 65056**

- to protect the S 50 remote control from theft
- for fixing the remote control on HEWI hinged support rails of Systems 801, 805, 900 and 950

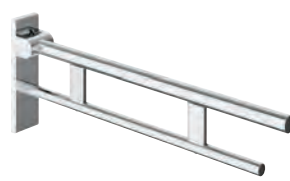
For S50.02.0001...



**Hinged support rails  
Range 805 Classic**  
805.50... from page 418



**Hinged support rails  
Range 801**  
801.50... from page 122



**Hinged support rails  
System 900, Design B**  
900.50... from page 231

For S50.02.00021



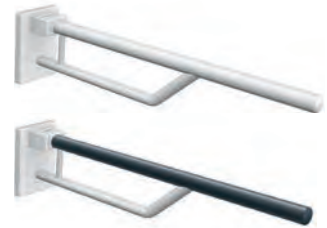
**Hinged support rails  
WARM TOUCH**  
950.50.1...50 from page 344



**Hinged support rails  
Systems 800/100**  
950.50.6...40 pages 476



**Hinged support rails  
Range 805**  
950.50.6...XA from page 402



**Hinged support rails  
System 800 K**  
950.50.1...9... from page 374

For S50.02.0003...



**Hinged support rails  
Range 802 LifeSystem**  
802.50...4... from page 312

For S50.02.0004...



**Hinged support rails  
System 900, Design A**  
900.50... from page 230



reddot design award  
winner 2012



### PRODUCT CHARACTERISTICS

- Comfortable, safe seating possibility for the shower (load-capable up to 150 kg)
- Hygienic surface finish which is easy to clean (no struts on the underside of the seat surface)
- Seat surface is especially sensitive for skin and slip resistant
- Flexibility provided by shower seat or hook-in seat
- High fold-up seat area creates more space in the shower with one handle
- The new cross-series seat family offers more comfort with individual additional functions

### RECOMMENDED APPLICATION AREAS

Professional Care, Home, Hotel



# Sit

## DESIGN

NOA Produktdesign, Aachen  
Etage 8, Leipzig

## MATERIAL AND SURFACES

Seat made of glass fibre reinforced polyamide in white or anthracite grey, wall bracket optionally made of stainless steel satin finished, high-quality chrome-plated, white or anthracite powder-coated.

Re-seat family: seat made of PIR (Post-Industrial-Recycling), frame powder-coated.

## SHOWER SEATS 950

Product range	516 – 517
Re-seat family	518 – 522
Shower stools, bath chairs	523 – 525
Hinged seats	526 – 531
Removable hanging seats	532 – 533
Ordering aid mobile hinged seats	534 – 535



HEWI COLOURS

- 98 (signal white)
- 92 (anthracite grey)
- 90 (jet black)

SURFACES

- Chrome
- Stainless steel, satin finished (XA)
- White powder-coated (W)

RE-SEAT FAMILY **NEW**



**Shower stool**  
950.51.40060 **New** page 520  
950.51.40160 **New** page 520

- Frame
- Seat



**Shower stool**  
950.51.40260 **New** page 521

- Frame
- Seat



**Bath chair**  
950.51.41060 **New** page 521

- Frame
- Seat



**Bath chair**  
950.51.41160 **New** page 522

- Frame
- Seat



**Shower stool**  
950.51.30140 page 524  
950.51.30160 **New** page 524

- Frame
- Seat



**Shower stool**  
950.51.30240 page 524  
950.51.30260 **New** page 524

- Frame
- Seat



**Bath chair**  
950.51.31040 page 525  
950.51.31060 **New** page 525

- Frame
- Seat



**Bath chair**  
950.51.31140 page 525  
950.51.31160 **New** page 525

- Frame
- Seat



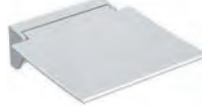
**Shower stool**  
950.51.300... page 523

- Frame
- Seat



**Hinged seat R 380**  
950.51.22... page 528  
950.51.42... | mobile page 528

- Wall bracket
- Seat



**Hinged seat 350**  
950.51.20... page 526  
950.51.40... | mobile page 526

- Wall bracket
- Seat



**Hinged seat 450**  
950.51.21... page 527  
950.51.41... | mobile page 527

- Wall bracket
- Seat

OTHER SHOWER SEATS



**Backrest**  
950.51.02090 page 529

- 



**Removable hanging seat**  
950.51.11.. page 532

- Hanging device
- Seat, backrest



**Removable hanging seat**  
950.51.10.. page 533

- Hanging device
- Seat, backrest



**Stool**  
800.51.30041 page 470



- ...60 CV matt black | black synthetic material
- ...60 JB matt black | forest green synthetic material
- ...60 JC matt black | dark granite grey synthetic material

OTHER SHOWER SEATS



**Hinged seat**  
900.51.2... from page 276  
900.51.4... | mobile from page 280



**Hinged seat with hygiene cutout**  
900.51.2... from page 277  
900.51.4... | mobile from page 281



**Hinged seat**  
900.51B21690 page 284



**Removable hanging seat**  
900.51.1... from page 286



**Hinged seat** +  
801.51..2... from page 164



**Removable hanging seat** +  
801.51..1... from page 166



**Removable hanging seat, hinged** +  
801.51..115 page 168



**Shower stool** +  
801.51..300 page 168



**Hinged seat**  
801.51.207... page 169  
801.51.217 page 169



**Removable hanging seat**  
801.51.106 page 170  
801.51.116 page 171



**Removable hanging seat, hinged**  
801.51.107 page 170  
801.51.117 page 171



**Shower stool**  
801.51..300 page 171



**Hinged seat Basic**  
802.51.23160 page 325  
802.51.23660 page 325



**Hinged seat | Removable hanging seat Comfort**  
802.51.23..60 from page 326  
802.51.13..60 from page 330



**Hinged seat | Removable hanging seat Premium**  
802.51.23..60 from page 328  
802.51.13..60 from page 332



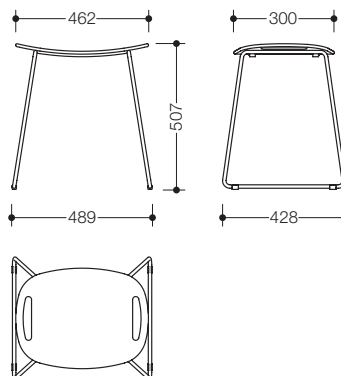
**Shower stool Basic | Comfort | Premium**  
802.51.32... from page 338



# Re-seat family

The new Re-seat family from HEWI consists of three stools and two bath chairs. The armrests and the seats are made of recycled polypropylene and recycled polyamide. In the natural colours forest green and dark granite grey, it offers an exciting and lively look and feel.



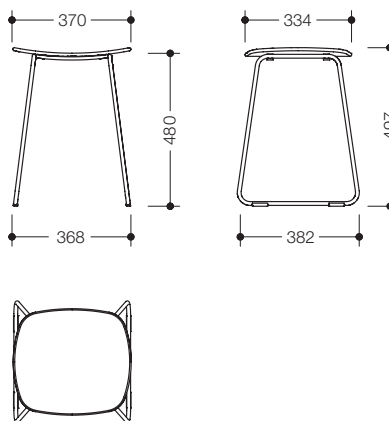


**New** 950.51.40060

**HEWI Shower stool**

- mobile, light stool from the Re-seat family
- generously sized, pleasantly warm seat made of high-quality PIR synthetic material (Post-Industrial-Recycling), slightly textured
- with integrated handle recesses for easy sitting down and standing
- loading capacity 150 kg
- 507 mm high, 489 mm wide and 428 mm deep, weight 5,2 kg
- seat 462 mm wide and 300 mm deep, seat height: 482 mm
- seat made of high-quality PIR synthetic material (Post-Industrial-Recycling) in HEWI colours JB (forest green) or JC (dark granite grey) with powder-coated frame in matt black
- with anti-slip foot caps

■ Frame  
■ Seat



**New** 950.51.40160

**HEWI Shower stool**

- mobile, light stool from the Re-seat family
- pleasantly warm seat made of high-quality PIR synthetic material (Post-Industrial-Recycling), slightly textured
- loading capacity 150 kg
- 370 mm wide, 497 mm high and 382 mm deep, weight 4,4 kg
- seat 370 mm wide and 334 mm deep, seat height: 480 mm
- seat made of high-quality PIR synthetic material (Post-Industrial-Recycling) in HEWI colours JB (forest green) or JC (dark granite grey) with powder-coated frame in matt black
- with anti-slip foot caps

■ Frame  
■ Seat

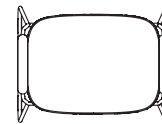
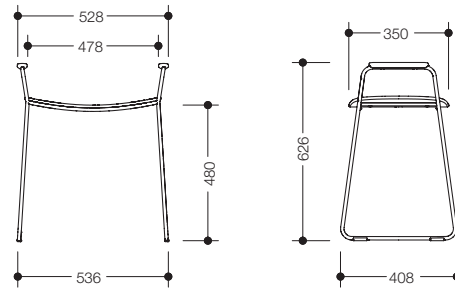
Item Number

Dimensions in mm / Specification



- Frame
- Seat

**New** 950.51.40260



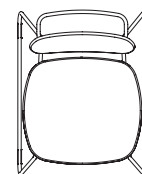
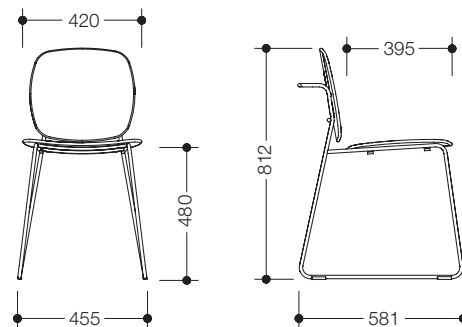
**HEWI Shower stool**

- mobile, light stool from the Re-seat family
- with integrated handle recesses for easy sitting down and standing up
- spacious, pleasantly warm seat made of high-quality PIR synthetic material (Post-Industrial-Recycling), slightly textured
- loading capacity 150 kg
- 536 mm wide, 626 mm high and 408 mm deep, weight 6,8 kg
- seat 478 mm wide and 350 mm deep, seat height: 480 mm
- seat and ampads made of high-quality PIR synthetic material (Post-Industrial-Recycling) in HEWI colours JB (forest green) or JC (dark granite grey) with powder-coated frame in matt black
- with anti-slip foot caps



- Frame
- Seat

**New** 950.51.41060



**HEWI Bath chair**

- mobile, multipurpose stool with towel rail Re-seat family, suitable for the showers
- pleasantly warm seat made of high-quality PIR synthetic material (Post-Industrial-Recycling), slightly textured
- loading capacity 150 kg
- 455 mm wide, 812 mm high and 581 mm deep, weight 7,6 kg
- seat 420 mm wide and 395 mm deep, seat height: 480 mm
- seat and backrest made of high-quality PIR synthetic material (Post-Industrial-Recycling) in HEWI colours JB (forest green) or JC (dark granite grey) with powder-coated frame in matt black
- with anti-slip foot caps

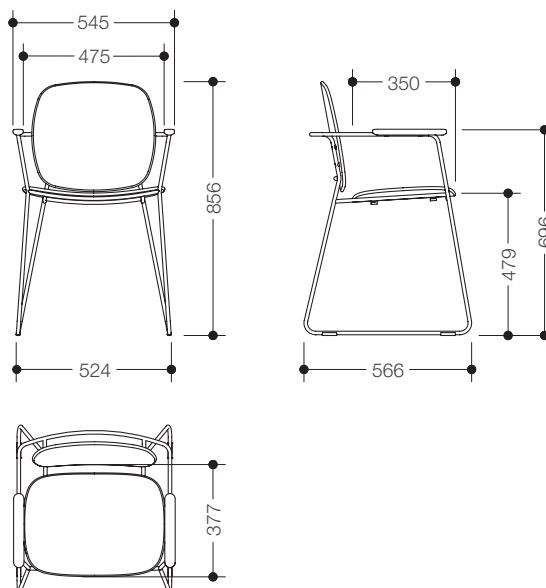
**HEWI Powder coating | Material combinations with synthetic material**

- ...60 JB matt black | forest green synthetic material
- ...60 JC matt black | dark granite grey synthetic material



**New** 950.51.41160

- Frame
- Seat



**HEWI Bath chair**

- mobile, multipurpose stool with towel rail and armrests from the Re-seat family, suitable for the showers
- spacious, pleasantly warm seat and backrest made of high-quality PIR synthetic material (Post-Industrial-Recycling), slightly textured
- loading capacity 150 kg
- 545 mm wide, 836 mm high and 565 mm deep, weight 9,9 kg
- seat 475 mm wide and 350 mm deep, seat height: 479 mm
- seat, backrest and armrests made of high-quality PIR synthetic material (Post-Industrial-Recycling) in HEWI colours JB (forest green) or JC (dark granite grey) with powder-coated frame in matt black
- with anti-slip foot caps

**HEWI Powder coating | Material combinations with synthetic material**

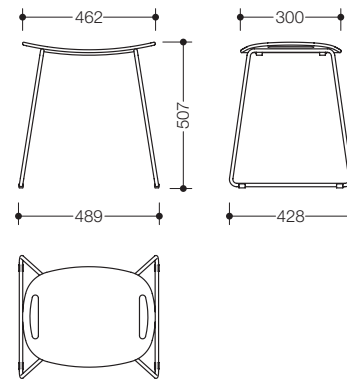
- ...60 JB matt black | forest green synthetic material
- ...60 JC matt black | dark granite grey synthetic material
- ...60 CV matt black | black synthetic material

Item Number

Dimensions in mm / Specification



**950.51.300XA**

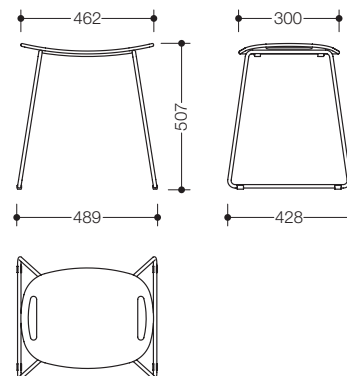


**HEWI Shower stool**

- spacious, pleasantly warm seat made of high-quality synthetic material, slightly textured
- seat in HEWI colours 98 (signal white) and 92 (anthracite grey)
- with integrated handle recesses for easy sitting down and standing up
- loading capacity 150 kg
- 489 mm wide, 507 mm high and 428 mm deep, weight 5,2 kg
- seat 462 mm wide and 300 mm deep, seat height: 482 mm
- frame made of stainless steel, satin finished
- with anti-slip foot caps

Please advise colour when ordering.

- ▣ Frame
- ▣ Seat



**HEWI Shower stool**

- spacious, pleasantly warm seat made of high-quality synthetic material, slightly textured
- with integrated handle recesses for easy sitting down and standing up
- loading capacity 150 kg
- 507 mm high, 489 mm wide and 428 mm deep, weight 5,2 kg
- seat 462 mm wide and 300 mm deep, seat height: 482 mm
- frame high-quality chrome-plated
- with anti-slip foot caps

- seat in HEWI colour 98 (signal white)
- seat in HEWI colour 92 (anthracite grey)
- seat in HEWI colour 90 (jet black)



**950.51.30098**  
**950.51.30092**  
**950.51.30090**

**New 950.51.30060**

- ▣ Frame
- ▣ Seat

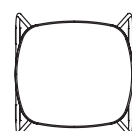
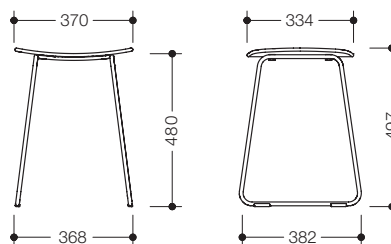
- frame powder-coated in HEWI colour CV (matt black) with matt black seat

**HEWI Colours | Surfaces**

- ▣ 98
- ▣ 92
- ▣ 90
- ▣ Chr XA

Item Number

Dimensions in mm / Specification



**HEWI Shower stool**

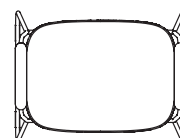
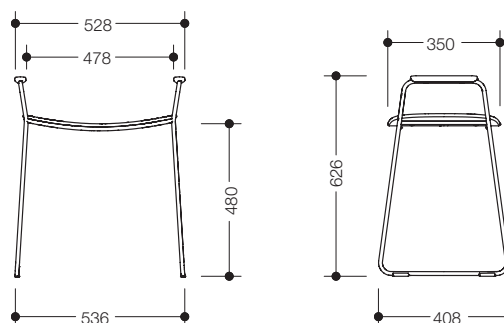
- mobile, light, showerproof stool
- pleasantly warm seat made of high-quality synthetic material, slightly textured
- loading capacity 150 kg
- 370 mm wide, 497 mm high and 382 mm deep
- seat 370 mm wide and 334 mm deep, seat height: 480 mm
- with anti-slip foot caps

950.51.30140

- frame high-quality chrome-plated, seat in HEWI colours 90 (jet black), 92 (anthracite grey) and 98 (signal white), please specify when ordering
- frame powder-coated in HEWI colour CV (matt black) with matt black seat

**New** 950.51.30160

■ Frame  
 ■ Seat



**HEWI Shower stool**

- mobile, light, showerproof stool
- with lateral support handles for easy sitting down and standing up
- pleasantly warm seat made of high-quality synthetic material, slightly textured
- loading capacity 150 kg
- 536 mm wide, 626 mm high and 408 mm deep
- seat 478 mm wide and 350 mm deep, seat height: 480 mm
- with anti-slip foot caps

950.51.30240

- frame high-quality chrome-plated, seat in HEWI colours 90 (jet black), 92 (anthracite grey) and 98 (signal white), please specify when ordering
- frame powder-coated in HEWI colour CV (matt black) with matt black seat

**New** 950.51.30260

■ Frame  
 ■ Seat

**HEWI Powder coating | Material combinations with synthetic material**

■ ...60 CV matt black | black synthetic material



Item Number

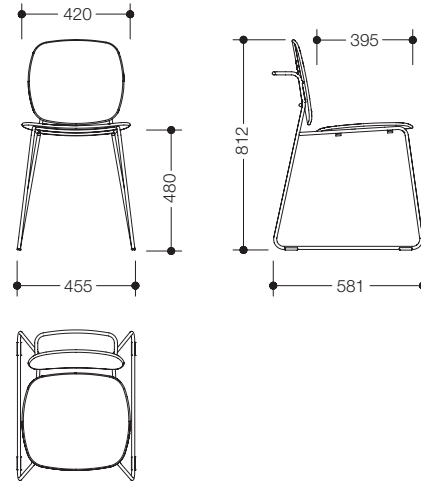
Dimensions in mm / Specification



■ ■ Frame  
 □ ■ ■ Seat

950.51.31040

New 950.51.31060



**HEWI Bath chair**

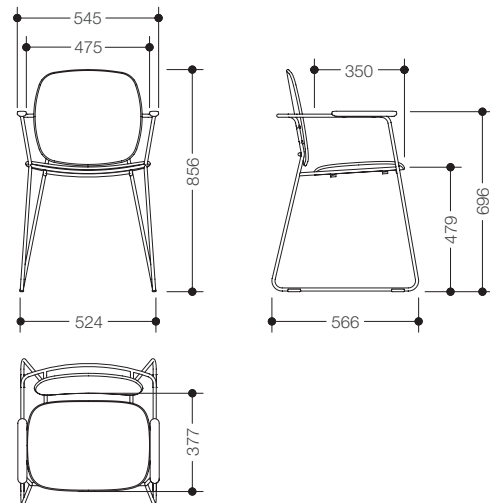
- mobile, universally usable chair with towel rail
- pleasantly warm seat and backrest made of high-quality synthetic material, slightly textured
- loading capacity 150 kg
- 455 mm wide, 812 mm high and 581 mm deep
- seat 420 mm wide and 395 mm deep, seat height: 480 mm
- with anti-slip foot caps
- frame high-quality chrome-plated, seat and backrest in HEWI colours 90 (jet black), 92 (anthracite grey) and 98 (signal white), please specify when ordering
- frame powder-coated in HEWI colour CV (matt black) with matt black seat and backrest



■ ■ Frame  
 □ ■ ■ Seat

950.51.31140

New 950.51.31160



**HEWI Bath chair**

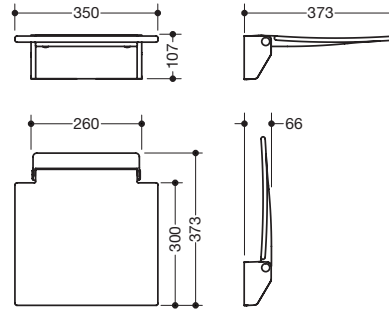
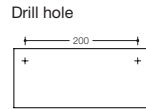
- mobile, universally usable chair with towel rail and armrests
- generous, pleasantly warm seat and backrest made of high-quality synthetic material, slightly textured
- loading capacity 150 kg
- 545 mm wide, 856 mm high and 566 mm deep
- seat 475 mm wide and 350 mm deep, seat height: 479 mm
- with anti-slip foot caps
- frame high-quality chrome-plated, seat, backrest and armrests in HEWI colours 90 (jet black), 92 (anthracite grey) and 98 (signal white), please specify when ordering
- frame powder-coated in HEWI colour CV (matt black) with matt black seat, backrest and armrests

**HEWI Colours | Surfaces**

□ ■ ■ 98 92 90    □ ■ Chr XA

Item Number

Dimensions in mm / Specification



Version  
metal, white powder-coated

■ ■ ■ Wall bracket  
■ ■ ■ Seat

950.51.20090

**HEWI Hinged seat 350**

- seat loading capacity 150 kg, can be folded up
- 350 mm wide, 373 mm deep and 107 mm high
- seat depth when folded up: 66 mm
- no struts or fixings visible in folded up state
- combinable with backrest 950.51.02090

950.51.20190

- seat made of glass fibre reinforced polyamide in white
- wall bracket made of stainless steel, white powder-coated

950.51.20590

- seat made of glass fibre reinforced polyamide in anthracite grey
- wall bracket made of stainless steel, anthracite powder-coated

950.51.200XA

- seat made of glass fibre reinforced polyamide in white or anthracite grey
- wall bracket made of high-quality stainless steel, chrome-plated
- seat made of glass fibre reinforced polyamide in white or anthracite grey
- wall bracket made of high-quality stainless steel, satin finished

**Please note:** Please advise colour when ordering.  
Supplied only with wall-specific HEWI fixing material.

■ ■ ■ Wall bracket  
■ ■ ■ Seat

950.51.40090

**HEWI Mobile hinged seat 350**

- construction made of wall bracket and continuous seat
- for mobile use
- for easy and flexible retrofitting on pre-assembled HEWI mounting plate: 950.51.014... (to be ordered separately page 530)
- 350 mm wide, 373 mm deep and 107 mm high
- tool-free and quick installation by means of simple hanging of the seat
- secured against unintentional removal with knurled screw
- seat can be folded up
- no struts or fixings visible in folded up state
- seat depth when folded up: 66 mm
- maximum loading capacity 150 kg

950.51.40190

- seat made of glass fibre reinforced polyamide in white
- wall bracket made of stainless steel, white powder-coated

950.51.40590

- seat made of glass fibre reinforced polyamide in anthracite grey
- wall bracket made of stainless steel, anthracite powder-coated

950.51.400XA

- seat made of glass fibre reinforced polyamide in white or anthracite grey
- wall bracket made of high-quality stainless steel, chrome-plated
- seat made of glass fibre reinforced polyamide in white or anthracite grey
- wall bracket made of high-quality stainless steel, satin finished

**Please note:** Please advise colour when ordering.  
Supplied only with wall-specific HEWI fixing material.

BM17.2

**Fixing material for hinged seats to be ordered separately p. 738**  
for fixing on walls made of:

BM10.2

concrete > C20/C25, national technical approval number: ETA-11/0493

BM11.2

concrete > C20/C25

BM12.2

autoclaved aerated concrete (> P2)

BM13.2

lightweight walls with rear lining made of laminated timber boards ...

BM18.2

lightweight walls with integrated steel plates ...

hollow concrete block, vertically perforated bricks, solid bricks, ...,

national technical approval number: ETA-13/1036

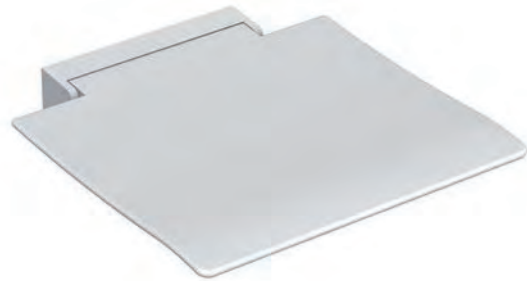
950.51.02090

**HEWI Backrest** to be ordered separately see page 529

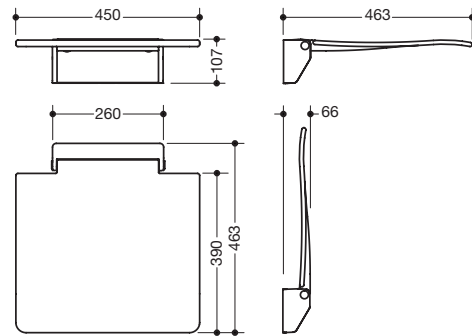
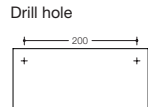
**Ordering aid for mobile hinged seats** see page 534

Item Number

Dimensions in mm / Specification



Version  
metal, white powder-coated



**HEWI Hinged seat 450**

- construction made of wall bracket and continuous seat
- loading capacity 150 kg, seat depth when folded up: 66 mm
- no struts or fixings visible in folded up state
- combinable with backrest 950.51.02090
- 450 mm wide, 463 mm deep and 107 mm high
- fulfils the DIN 18040, ÖNORM B 1600/1601 and SIA 500 requirements
- ergonomically curved seat shape for a highly comfortable sitting
- large radii at the outside edges of the seat reduce the risk of bumps
- slip-resistant, structured seat surface

950.51.21090

- seat made of glass fibre reinforced polyamide in white
- wall bracket made of stainless steel, white powder-coated

950.51.21190

- seat made of glass fibre reinforced polyamide in anthracite grey
- wall bracket made of stainless steel, anthracite powder-coated

950.51.21590

- seat made of glass fibre reinforced polyamide in white or anthracite grey
- wall bracket made of high-quality stainless steel, chrome-plated

950.51.210XA

- seat made of glass fibre reinforced polyamide in white or anthracite grey
- wall bracket made of high-quality stainless steel, satin finished

- Wall bracket
- Seat

**Please note:** Please advise colour when ordering.  
Supplied only with wall-specific HEWI fixing material.

**HEWI Mobile hinged seat 450**

- do., for easy and flexible retrofitting on pre-assembled HEWI mounting plate: 950.51.014... (to be ordered separately p. 530)
- tool-free and quick installation by means of simple hanging of the seat
- secured against unintentional removal with knurled screw

950.51.41090

- seat made of glass fibre reinforced polyamide in white
- wall bracket made of stainless steel, white powder-coated

950.51.41190

- seat made of glass fibre reinforced polyamide in anthracite grey
- wall bracket made of stainless steel, anthracite powder-coated

950.51.41590

- seat made of glass fibre reinforced polyamide in white or anthracite grey
- wall bracket made of high-quality stainless steel, chrome-plated

950.51.410XA

- seat made of glass fibre reinforced polyamide in white or anthracite grey
- wall bracket made of high-quality stainless steel, satin finished

- Wall bracket
- Seat

**Please note:** Please advise colour when ordering.  
Supplied only with wall-specific HEWI fixing material.

**Fixing material for hinged seats to be ordered separately p. 738**  
for fixing on walls made of:

**BM17.2**

concrete > C20/C25, national technical approval number: ETA-11/0493

**BM10.2**

concrete > C20/C25

**BM11.2**

autoclaved aerated concrete (> P2)

**BM12.2**

lightweight walls with rear lining made of laminated timber boards

**BM13.2**

lightweight walls with integrated steel plates

**BM18.2**

hollow concrete block, vertically perforated bricks, solid bricks,...,  
national technical approval number: ETA-13/1036

**HEWI Colours | Surfaces**

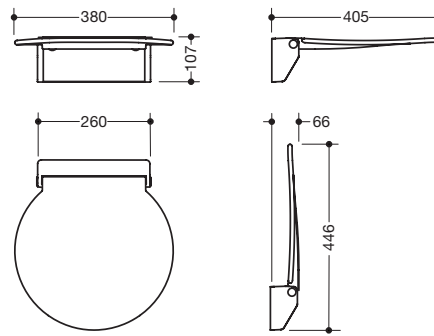
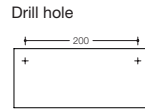
- 98
- 92
- Chr
- XA
- W

950.51.02090

**HEWI Backrest** to be ordered separately see page 529  
**Ordering aid for mobile hinged seats** see page 534

Item Number

Dimensions in mm / Specification



**Version**  
metal, white powder-coated

Wall bracket  
   Seat

**HEWI Hinged seat R 380**

- construction made of wall bracket and continuous seat
- seat loading capacity 150 kg
- 380 mm wide, 405 mm deep and 107 mm high
- seat can be folded up
- seat depth when folded up: 66 mm
- no struts or fixings visible in folded up state
- combinable with backrest 950.51.02090

**950.51.22090**

- seat made of glass fibre reinforced polyamide in white
- wall bracket made of stainless steel, white powder-coated

**950.51.22190**

- seat made of glass fibre reinforced polyamide in anthracite grey
- wall bracket made of stainless steel, anthracite powder-coated

**950.51.22590**

- seat made of glass fibre reinforced polyamide in white or anthracite grey
- wall bracket made of high-quality stainless steel, chrome-plated

**950.51.220XA**

- seat made of glass fibre reinforced polyamide in white or anthracite grey
- wall bracket made of high-quality stainless steel, satin finished

**Please note:** Please advise colour when ordering.  
Supplied only with wall-specific HEWI fixing material.

**HEWI Mobile hinged seat R 380**

- do., for easy and flexible retrofitting on pre-assembled HEWI mounting plate: 950.51.014... (to be ordered separately p. 530)
- tool-free and quick installation by means of simple hanging of the seat
- secured against unintentional removal with knurled screw

**950.51.42090**

- seat made of glass fibre reinforced polyamide in white
- wall bracket made of stainless steel, white powder-coated

**950.51.42190**

- seat made of glass fibre reinforced polyamide in anthracite grey
- wall bracket made of stainless steel, anthracite powder-coated

**950.51.42590**

- seat made of glass fibre reinforced polyamide in white or anthracite grey
- wall bracket made of high-quality stainless steel, chrome-plated

**950.51.420XA**

- seat made of glass fibre reinforced polyamide in white or anthracite grey
- wall bracket made of high-quality stainless steel, satin finished

**Please note:** Please advise colour when ordering.  
Supplied only with wall-specific HEWI fixing material.

Wall bracket  
   Seat

**Fixing material for hinged seats to be ordered separately p. 738**  
for fixing on walls made of:

**BM17.2**  
**BM10.2**  
**BM11.2**  
**BM12.2**  
**BM13.2**  
**BM18.2**

- concrete > C20/C25, national technical approval number: ETA-11/0493
- concrete > C20/C25
- autoclaved aerated concrete (> P2)
- lightweight walls with rear lining made of laminated timber boards
- lightweight walls with integrated steel plates
- hollow concrete block, vertically perforated bricks, solid bricks,....
- national technical approval number: ETA-13/1036

**950.51.02090**

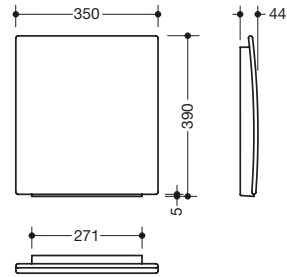
**HEWI Backrest** to be ordered separately see right  
**Ordering aid for mobile hinged seats** see page 534

Item Number

Dimensions in mm / Specification



950.51.02090



**HEWI Backrest**

- backrest for HEWI hinged seats 350, R380 and 450 (950.51....)
- 350 mm wide, 390 mm high and 44 mm deep
- made of glass fibre reinforced polyamide in white and anthracite grey
- concealed fixing
- for wall mounting with specific fixing material

**Please note:** Please advise colour when ordering.



950.51.013

**HEWI Protection and storage bag**

- for storing the mobile hinged seats 950.51.4...
- made of high-quality white, synthetic material sheeting
- high-quality fleece lining on the inside to protect the seat surfaces
- 780 mm high, 580 mm wide
- tear-resistant, with pull-cord for closing

**HEWI Colours | Surfaces**

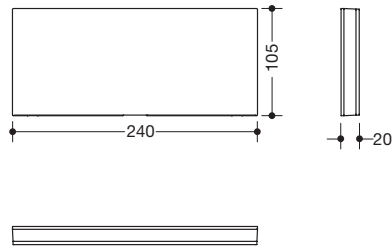
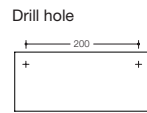


Item Number

Dimensions in mm / Specification



- Mounting plate
- Face plate, frame



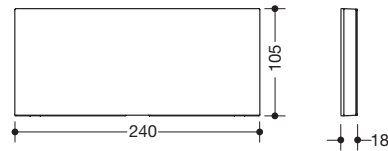
950.51.01690

**HEWI Mounting plate with cover**

- rectangular mounting plate with with matching rectangular cover
- 240 mm wide, 105 mm high, 20 mm deep
- mounting plate made of stainless steel, satin finished
- for mounting with non-corrosive and tested HEWI fixing materials for different wall systems (to be ordered separately)
- cover made of high-quality synthetic material in HEWI colours 98 (signal white) or 99 (pure white)



- Mounting plate, face plate
- frame



950.51.016XA

- do., 240 mm wide, 105 mm high, 18 mm deep
- face plate made of stainless steel, satin finished
- cover frame made of polyamide in HEWI colours 90 (jet black), 92 (anthracite grey), 93 (signal white) or 99 (pure white)

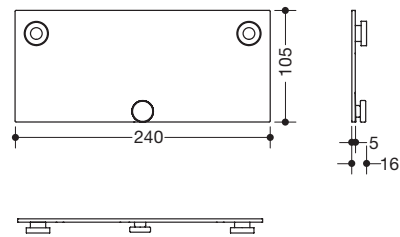
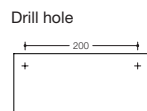


- Mounting plate
- Face plate
- Frame

950.51.01640

- mounting plate made of stainless steel, high-quality chrome-plated
- face plate made of stainless steel, mirror polished
- cover frame made of polyamide in HEWI colour 98 (signal white)

**HEWI Fixing material** to be ordered separately, see right



950.51.014XA  
950.51.01440

**HEWI Mounting plate**

- rectangular mounting plate with knurled screw
- serves to hold and fix the mobile hinged seats 950.51.4...
- 240 mm wide, 105 mm high, 16 mm deep
- for mounting with non-corrosive and tested HEWI fixing materials for different wall systems (to be ordered separately)
- made of stainless steel, satin finished
- made of stainless steel, high-quality chrome-plated

**HEWI Fixing material** to be ordered separately, see right

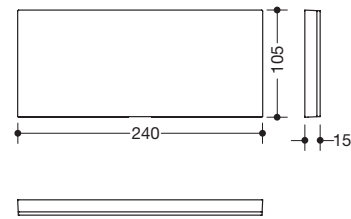


Item Number

Dimensions in mm / Specification



Face plate, frame



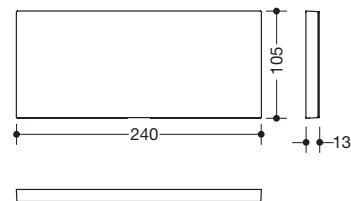
**950.51.01590**

**HEWI Cover for mounting plate**

- for cover of the mounting plate by simple replacement
- 240 mm wide, 105 mm high, 15 mm deep
- made of high-quality synthetic material in HEWI colours 98 (signal white) or 99 (pure white)



Face plate  
   Frame



**950.51.015XA**

- do., 240 mm wide, 105 mm high, 13 mm deep
- face plate made of stainless steel, satin finished
- cover frame made of polyamide in HEWI colours 90 (jet black), 92 (anthracite grey), 98 (signal white) or 99 (pure white)



Face plate  
 Frame

**950.51.01540**

- do., 240 mm wide, 105 mm high, 13 mm deep
- face plate made of stainless steel, mirror polished
- cover frame made of polyamide in HEWI colour 98 (signal white)

**Fixing material for hinged seats to be ordered separately p. 738**

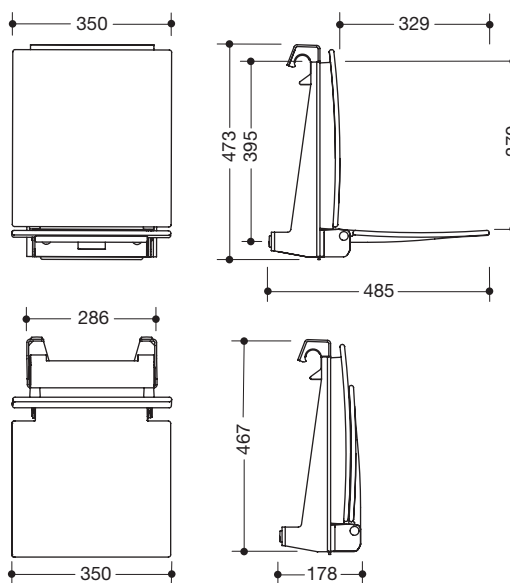
for fixing on walls made of:

- BM17.2**
- BM10.2**
- BM11.2**
- BM12.2**
- BM13.2**
- BM18.2**

- concrete > C20/C25, national technical approval number: ETA-11/0493
- concrete > C20/C25
- autoclaved aerated concrete (> P2)
- lightweight walls with rear lining made of laminated timber boards
- lightweight walls with integrated steel plates
- hollow concrete block, vertically perforated bricks, solid bricks,....
- national technical approval number: ETA-13/1036

**HEWI Colours | Surfaces**

98 99 92 90 XA XC Chr



**HEWI Removable hanging seat**

- 350 mm wide, 473 mm high and 485 mm deep
- hanging device made of metal, powder-coated
- seat and backrest made of glass fibre reinforced polyamide
- slip-resistant, structured seat surface
- seat can be folded up to save space
- no struts or fixings visible in folded up state
- for hanging in HEWI shower grab rails and support rails  $\varnothing$  33 mm,  $\varnothing$  32 mm and  $\varnothing$  30 mm
- maximum loading capacity 150 kg

- white
- anthracite grey

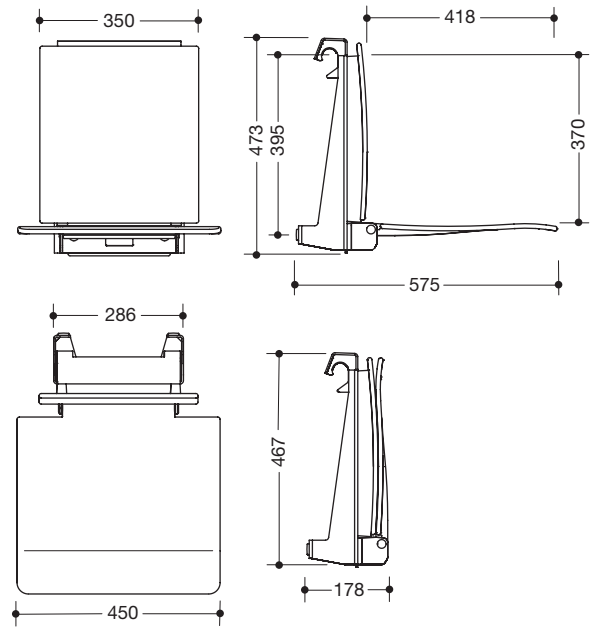
- Hanging device
- Seat, backrest

**950.51.11090**  
**950.51.11190**



Item Number

Dimensions in mm / Specification



- Hanging device
- Seat, backrest

**950.51.10090**  
**950.51.10190**

**HEWI Removable hanging seat**

- 450 mm wide, 473 mm high and 575 mm deep
- hanging device made of metal, powder-coated
- seat and backrest made of glass fibre reinforced polyamide
- ergonomically curved seat shape for a highly comfortable sitting
- large radii at the outside edges of the seat reduce the risk of bumps
- slip-resistant, structured seat surface
- seat can be folded up to save space
- no struts or fixings visible in folded up state
- for hanging in HEWI shower grab rails and support rails  $\varnothing$  33 mm,  $\varnothing$  32 mm and  $\varnothing$  30 mm
- maximum loading capacity 150 kg
- white
- anthracite grey

**HEWI Colours | Surfaces**

- 98
- 92
- W

MOBILE HINGED SEATS

NECESSARY

OPTIONAL SEPARATELY


**R 380** **950.51.42590**  
 · wall bracket made of stainless steel, chrome-plated  
 · seat made of glass fibre reinforced polyamide in colours white or anthracite grey




**350** **950.51.40590**  
 · wall bracket made of stainless steel, chrome-plated  
 · seat made of glass fibre reinforced polyamide in colours white or anthracite grey




**450** **950.51.41590**  
 · wall bracket made of stainless steel, chrome-plated  
 · seat made of glass fibre reinforced polyamide in colours white or anthracite grey




**R 380** **950.51.420XA**  
 · wall bracket made of stainless steel, satin finished  
 · seat made of glass fibre reinforced polyamide in colours white or anthracite grey




**350** **950.51.400XA**  
 · wall bracket made of stainless steel, satin finished  
 · seat made of glass fibre reinforced polyamide in colours white or anthracite grey



**450** **950.51.410XA**  
 · wall bracket made of stainless steel, satin finished  
 · seat made of glass fibre reinforced polyamide in colours white or anthracite grey



**R 380** **950.51.42090**  
 · wall bracket made of stainless steel, white powder-coated  
 · seat made of glass fibre reinforced polyamide in white  
**950.51.42190** do. in anthracite grey



**350** **950.51.40090**  
 · wall bracket made of stainless steel, white powder-coated  
 · seat made of glass fibre reinforced polyamide in white  
**950.51.40190** do. in anthracite grey



**450** **950.51.41090**  
 · wall bracket made of stainless steel, white powder-coated  
 · seat made of glass fibre reinforced polyamide in white  
**950.51.41190** do. in anthracite grey



+

+

+

**950.51.01440**  
 · made of stainless steel, chrome-plated



**950.51.014XA**  
 · made of stainless steel, satin finished




OPTIONAL


OPTIONAL

OPTIONAL


**950.51.01540**  
 · cover for covering fixed mounting plates  
 · face plate made of stainless steel, mirror polished  
 · cover frame made of polyamide in HEWI colour 98 (signal white)



**950.51.015XA**  
 · cover for covering fixed mounting plates  
 · face plate made of stainless steel, satin finished  
 · cover frame made of polyamide in HEWI colours 90 (jet black), 92 (anthracite grey), 98 (signal white), 99 (pure white)



**950.51.01590**  
 · cover for covering fixed mounting plates  
 · made of polyamide in HEWI colours: 98 (signal white) or 99 (pure white)



OR SET

NECESSARY FOR ALL

OPTIONAL FOR ALL

OR



**950.51.01640**  
· set of mounting plate 950.51.01440 and cover 950.51.01540

+

**BM17.2**  
For fixing to walls made of concrete (> C20/C25)  
National technical approval number:  
ETA-11/0493

To be provided additionally:  
injection mortar (HEWI item No.: 200311)  
or to be provided on site:  
Hilti HIT-HY200A injection mortar  
extrusion tool HDM (Hilti)

**BM10.2**  
For fixing to walls made of concrete (> C20/C25)

**BM11.2**  
For fixing on walls made of autoclaved aerated concrete (> P2)

To be provided additionally:  
injection mortar (HEWI item No.: 200266)  
conical drill bit (HEWI item No.: 171041)  
or to be provided on site:  
injection mortar HIT-HY 270 (Hilti)  
extrusion tool HDM (Hilti)  
conical drill bit TE-C PB 22/100 (Hilti)

+

**BM12.2**  
For installation on lightweight walls you will need a rear lining, e.g. laminated timber boards, with waterproof bonding min. 30 mm thickness required, for example, support stand or wall installation

**BM13.2**  
For fixing to lightweight walls with integrated steel plates (e.g. studs or pre-wall installation)

**BM18.2**  
For fixing on walls made of:  
· solid brick  
· perforated calcium silicate block  
· hollow concrete block  
· vertically perforated brick  
· hollow lightweight concrete block  
· lightweight aggregate concrete with open structure

National technical approval number:  
ETA-13/1036

To be provided additionally:  
injection mortar (HEWI item No.: 200266)  
or to be provided on site:  
injection mortar HIT-HY 270 (Hilti)  
extrusion tool HDM (Hilti)

OR



**950.51.016XA**  
· set of mounting plate 950.51.014XA and cover 950.51.015XA

OR



**950.51.01690**  
· set of mounting plate 950.51.014XA and cover 950.51.01590

+

OPTIONAL



**Protection and storage bag**

**950.51.013**  
· made of high-quality white, synthetic material sheeting  
· high-quality fleece lining on the inside to protect the seat surfaces

OPTIONAL



**Fixed mounted backrest**

**950.51.02090**  
· made of glass fibre reinforced polyamide in colours white or anthracite grey

OPTIONAL



GERMAN  
INNOVATION  
AWARD 22  
WINNER



expert  
favorite 2015

### PRODUCT CHARACTERISTICS

- HEWI products for children are safe to use and designed as robust so that they can consistently resist large loads
- Kids products are easy-care and hygienic
- They are, so to say, child's play
- Pleasing coloured design promotes the child's independence

### RECOMMENDED APPLICATION AREAS

Education



# Kids | Cloakrooms

KIDS	
Product characteristics	539 – 541
Product range	542
Shelves, tumbler racks	544 – 548
Hooks	549
Washbasins	550 – 553
Fittings	554
Mirrors	555

CLOAKROOMS	
Product range	543
Planning aid, certificate	557
Hooks for cloakroom rails	558 – 560
Cloakroom rails	560 – 563
Coat hangers	564
Pictograms	565
Hooks	566 – 567





## HEWI Kids | Child-friendly equipment

HEWI products for children are tailor-made to the needs of their small users – whether in child daycare centres, kindergartens or schools. Rooms for children must be designed to be practical, easy care and safe. HEWI has developed products that optimally fulfil these requirements and also offer diverse child-friendly and individual design options.

### Around the washing area

We have always focused on safety during the development of the HEWI products for children. The fine radii of the washbasins means there are no corners or edges created on which children could bruise themselves. The narrow edge and compact design of the mineral composite washbasins also enable small children to reach the fittings effortlessly. The mirrors made of ESG safety glass are equipped with a shatterproof film as well as a safety mounting catch. The washbasins and mirrors are optionally available in classic white or as a two-coloured variant with a contrast in cheerful apple green and the washbasins additionally in aqua blue.

HEWI fittings for children are characterised by their particularly easy operation. Various operating shapes train children's motoric skills.

The practical toothbrush tumbler racks provide plenty of space. They can be extended as preferred via an extension module for four additional spaces.

The tumbler racks are available with hooks as an option.

### Cloakroom rails

The pleasantly coloured cloakroom rails from HEWI can be combined with different hook shapes. The number of hooks can be defined individually and therefore also the length of the cloakroom. The cloakrooms are made of high-quality polyamide. A steel core inside increases stability and makes it a permanent part of the building.

### Elastic hooks

The new elastic hooks from HEWI are characterised by their rounded edges, soft, pliable feel and matt surface. Thermoplastic polyurethane (TPU) ensures increased safety in nurseries, day-care centres and primary schools.

The slightly pliable material reduces the risk from impacts and therefore the risk of injury. In addition to the elastic TPU material with a matt finish, the new products are also available in polyamide with the familiar high-gloss surface.





## ICONIC | Colour and function

Especially with regard to children's independence, child-friendly furnishings in sanitary areas play an important role. A consistent, coordinated colour concept not only has a friendly effect and gives to a sense of well-being, it also makes it easier for children to find their way around.

The coloured functional areas on the range 477/801 products, such as the handle of the toilet brush, facilitate intuitive operation. Solutions are available for all areas of the sanitary room, the height of which can be adapted to the needs of the children and to different age groups – whether it is around the washbasin, the WC or the shower. Matching accessories complete the universal range of furnishings.

To be found in register 477/801 | ICONIC in this price list.



## ICONIC | Colourful children's worlds

Washing hands and cleaning teeth is much more fun if the washbasins are designed to meet the needs of the small users. HEWI supplies a full range of products for washstands in cheerful colours that make washing and splashing much more fun.

The range includes washbasins, mirrors, fittings, tumbler racks and accessories such as soap dispensers or toilet roll holders. HEWI products are developed within the meaning of Universal Design. Of course, we also offer solutions for inclusive facilities in playschools, daycare centres and primary schools.







Item Number

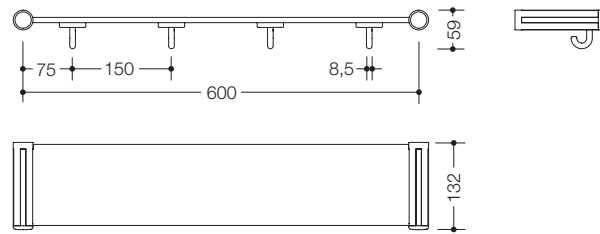
Dimensions in mm / Specification



Colour sample

800.03.403

Holders  
 Rack shelf  
 Hooks in 16 HEWI colours



**HEWI Shelf with hooks, 4 places**

- holders made of high-quality polyamide in HEWI colours 74 (apple green), 55 (aqua blue) or 99 (pure white)
- hooks made of high-quality polyamide
- coloured hooks are fitted in the given order, from left to right from users point of view
- rack shelf made of robust HPL, surface: silky white, with slight texture
- distance between places: 150 mm, can be retrofitted
- corresponds to the specifications of DGUV Guidelines 82 for children's day care facilities („Child daycare centres“)
- max. static load 20 kg
- 630 mm wide (c to c 600 mm), 59 mm high, 132 mm deep
- to increase the number of places, use HEWI extension kit 800.03.413

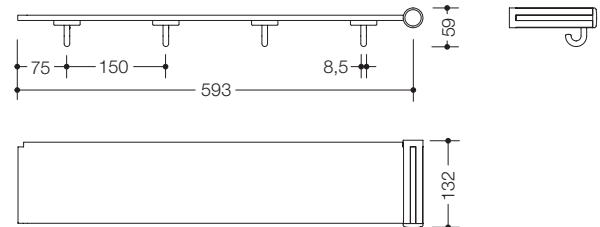
Please advise colour of hooks in the desired sequence **(from left to right)** as well as colour of holders when ordering.



Colour sample

800.03.413

Holder  
 Rack shelf  
 Hooks in 16 HEWI colours



**HEWI Extension kit shelf with hooks, 4 places**

- for retrofitting the shelf with hooks to add 4 places
- holder made of high-quality polyamide in HEWI colours 74 (apple green), 55 (aqua blue) or 99 (pure white)
- hooks made of high-quality polyamide
- coloured hooks are fitted in the given order, from left to right from users point of view
- rack shelf made of robust HPL, surface: silky white, with slight texture
- distance between places: 150 mm
- corresponds to the specifications of DGUV Guidelines 82 for children's day care facilities („Child daycare centres“)
- max. static load 20 kg
- can be retrofitted
- 608 mm wide, 59 mm high, 132 mm deep

Please advise colour of hooks in the desired sequence **(from left to right)** as well as colour of holder when ordering.

477.90.040

HEWI Hook see page 93

Item Number

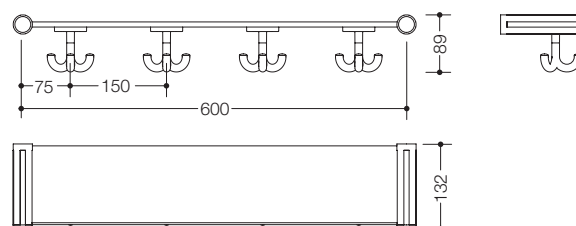
Dimensions in mm / Specification



Colour sample

800.03.404

Holders  
 Rack shelf  
 Hooks in 16 HEWI colours



**HEWI Shelf with triple hooks, 4 places**

- holders made of high-quality polyamide in HEWI colour 74 (apple green), 55 (aqua blue) or 99 (pure white)
- triple hooks made of high-quality polyamide
- coloured triple hooks are fitted in the given order, from left to right from users point of view
- rack shelf made of robust HPL, surface: silky white, with slight texture
- distance between places: 150 mm, can be retrofitted
- corresponds to the specifications of DGUV Guidelines 82 for children's day care facilities („Child daycare centres“)
- max. static load 20 kg
- 630 mm wide (c to c 600 mm), 89 mm high, 132 mm deep
- to increase the number of places, use HEWI extension kit 800.03.414

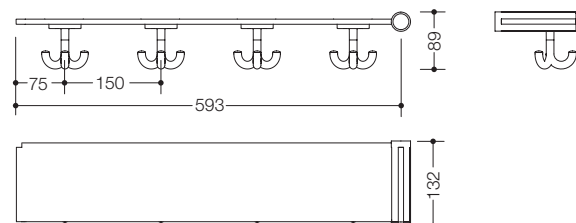
Please advise colour of triple hooks in the desired sequence **(from left to right)** as well as colour of holders when ordering.



Colour sample

800.03.414

Holder  
 Rack shelf  
 Hooks in 16 HEWI colours

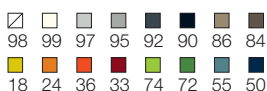


**HEWI Extension kit shelf with triple hooks, 4 places**

- for retrofitting the shelf with triple hooks to add 4 places
- holder made of high-quality polyamide in HEWI colours 74 (apple green), 55 (aqua blue) or 99 (pure white)
- triple hook made of high-quality polyamide
- coloured triple hooks are fitted in the given order, from left to right from users point of view
- rack shelf made of robust HPL, surface: silky white, with slight texture
- distance between places: 150 mm
- corresponds to the specifications of DGUV Guidelines 82 for children's day care facilities („Child daycare centres“)
- max. static load 20 kg
- can be retrofitted
- 608 mm wide, 89 mm high, 132 mm deep

Please advise colour of triple hooks in the desired sequence **(from left to right)** as well as colour of holder when ordering.

**16 HEWI colours**



477.90.054

**HEWI Triple hook** see page 94

Item Number

Dimensions in mm / Specification

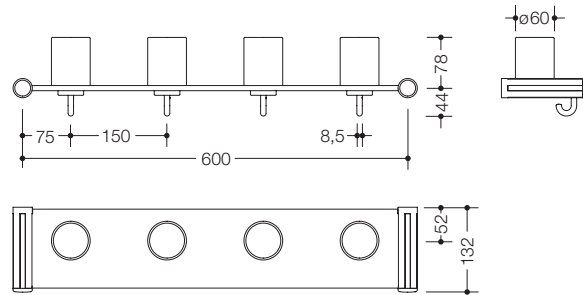


Colour sample

800.03.400

- Holders
- Rack shelf

Tumblers and hooks in 16 HEWI colours



**HEWI Tumbler rack with hooks, 4 places**

- holders made of high-quality polyamide in HEWI colours 74 (apple green), 55 (aqua blue) or 99 (pure white)
- tumblers and hooks form a colour pair, made of high-quality polyamide
- coloured hooks are fitted in the given order, from left to right from users point of view
- rack shelf made of robust HPL, surface: silky white, with slight texture
- distance between places: 150 mm
- corresponds to the specifications of DGUV Guidelines 82 for children's day care facilities („Child daycare centres“)
- max. static load 20 kg
- can be retrofitted
- 630 mm wide (c to c 600 mm), 122 mm high, 132 mm deep
- to increase the number of places, use HEWI extension kit 800.03.410
- for individualisation, additional HEWI pictogram sheets available as blank version for labelling 33.1772E or with motifs 33.1772A, 33.1772B, 33.1772C, 33.1772D (to be ordered separately)

Please advise colour of tumblers and hooks in the desired sequence **(from left to right)** as well as colour of holders when ordering.

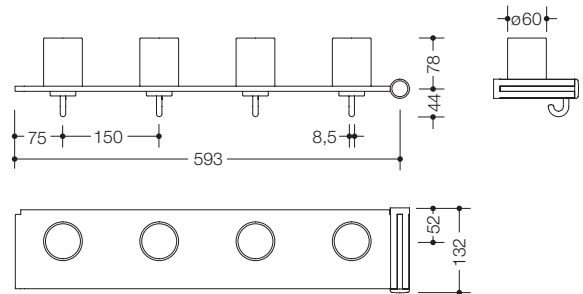


Colour sample

800.03.410

- Holder
- Rack shelf

Tumblers and hooks in 16 HEWI colours



**HEWI Extension kit tumbler rack with hooks, 4 places**

- for retrofitting the tumbler rack with hooks to add 4 places
- holder made of high-quality polyamide in HEWI colours 74 (apple green), 55 (aqua blue) or 99 (pure white)
- tumblers and hooks form a colour pair, made of high-quality polyamide
- coloured hooks are fitted in the given order, from left to right from users point of view
- rack shelf made of robust HPL, surface: silky white, with slight texture
- distance between places: 150 mm
- corresponds to the specifications of DGUV Guidelines 82 for children's day care facilities („Child daycare centres“)
- max. static load 20 kg
- can be retrofitted
- 608 mm wide, 122 mm high, 132 mm deep
- for individualisation, additional HEWI pictogram sheets available as blank version for labelling 33.1772E or with motifs 33.1772A, 33.1772B, 33.1772C, 33.1772D (to be ordered separately)

Please advise colour of tumblers and hooks in the desired sequence **(from left to right)** as well as colour of holder when ordering.

41382  
477.90.040  
33.1772...

**HEWI Tumbler**  
**HEWI Hook** see page 93  
**HEWI Pictograms** see page 565

Item Number

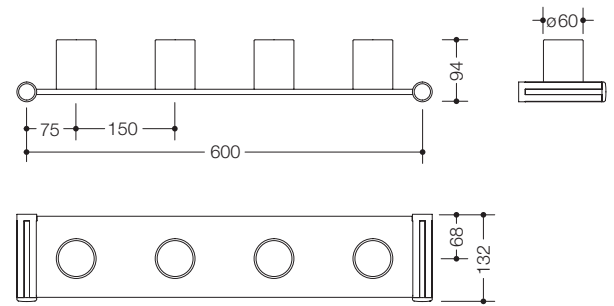
Dimensions in mm / Specification



Colour sample

800.03.401

- Holders
- Rack shelf
- Tumblers in 16 HEWI colours



**HEWI Tumbler rack, 4 places**

- holders made of high-quality polyamide in HEWI colours 74 (apple green), 55 (aqua blue) or 99 (pure white)
- tumblers made of high-quality polyamide
- rack shelf made of robust HPL, surface: silky white, with slight texture
- distance between places: 150 mm
- corresponds to the specifications of DGUV Guidelines 82 for children's day care facilities („Child daycare centres“)
- max. static load 20 kg
- can be retrofitted
- 630 mm wide (c to c 600 mm), 94 mm high, 132 mm deep
- to increase the number of places, use HEWI extension kit 800.03.411
- for individualisation, additional HEWI pictogram sheets available as blank version for labelling 33.1772E or with motifs 33.1772A, 33.1772B, 33.1772C, 33.1772D (to be ordered separately)

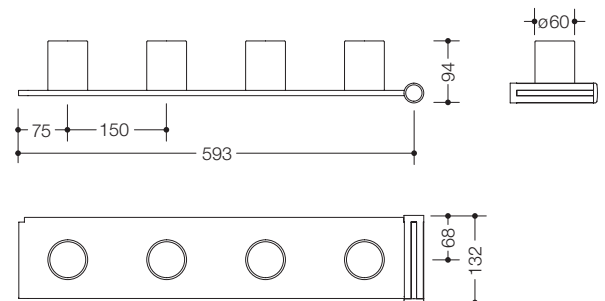
Please advise colour of tumblers and holders when ordering.



Colour sample

800.03.411

- Holder
- Rack shelf
- Tumblers in 16 HEWI colours



**HEWI Extension kit tumbler rack, 4 places**

- for retrofitting the tumbler rack to add 4 places
- holder made of high-quality polyamide in HEWI colours 74 (apple green), 55 (aqua blue) or 99 (pure white)
- tumbler made of high-quality polyamide
- rack shelf made of robust HPL, surface: silky white, with slight texture
- distance between places: 150 mm
- corresponds to the specifications of DGUV Guidelines 82 for children's day care facilities („Child daycare centres“)
- max. static load 20 kg
- can be retrofitted
- 608 mm wide, 94 mm high, 132 mm deep
- for individualisation, additional HEWI pictogram sheets available as blank version for labelling 33.1772E or with motifs 33.1772A, 33.1772B, 33.1772C, 33.1772D (to be ordered separately)

Please advise colour of tumblers and holder when ordering.

**16 HEWI colours**

98	99	97	95	92	90	86	84
18	24	36	33	74	72	55	50

41382  
33.1772...

**HEWI Tumbler**  
**HEWI Pictograms** see page 565

Item Number

Dimensions in mm / Specification



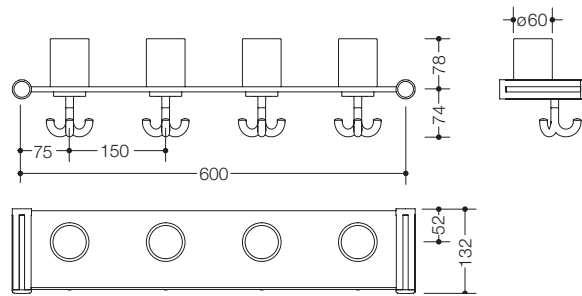
Colour sample

800.03.402

□ ■ ■ Holders

□ Rack shelf

Tumblers and hooks in 16 HEWI colours



**HEWI Tumbler rack with triple hooks, 4 places**

- holders made of high-quality polyamide in HEWI colours 74 (apple green), 55 (aqua blue) or 99 (pure white)
- tumblers and triple hooks form a colour pair, made of high-quality polyamide
- coloured hooks are fitted in the given order, from left to right from users point of view
- rack shelf made of robust HPL, surface: silky white, with slight texture
- distance between places: 150 mm, can be retrofitted
- corresponds to the specifications of DGUV Guidelines 82 for children's day care facilities („Child daycare centres“)
- max. static load 20 kg
- 630 mm wide (c to c 600 mm), 152 mm high, 132 mm deep
- to increase the number of places, use HEWI extension kit 800.03.412
- for individualisation, additional HEWI pictogram sheets available as blank version for labelling 33.1772E or with motifs 33.1772A, 33.1772B, 33.1772C, 33.1772D (to be ordered separately)

Please advise colour of tumblers and triple hooks in the desired sequence (**from left to right**) as well as colour of holder when ordering.



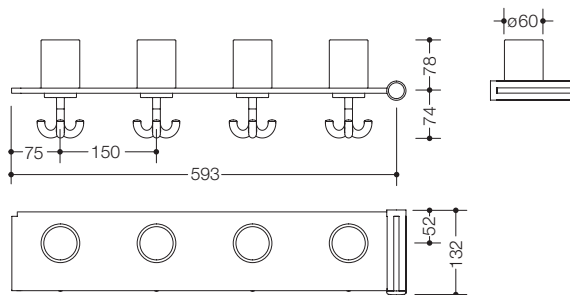
Colour sample

800.03.412

□ ■ ■ Holder

□ Rack shelf

Tumblers and hooks in 16 HEWI colours

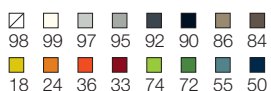


**HEWI Extension kit tumbler rack with triple hooks, 4 places**

- for retrofitting the tumbler rack with triple hooks to add 4 places
- holder made of high-quality polyamide in HEWI colours 74 (apple green), 55 (aqua blue) or 99 (pure white)
- tumblers and triple hooks form a colour pair, made of high-quality polyamide
- coloured hooks are fitted in the given order, from left to right from users point of view
- rack shelf made of robust HPL, surface: silky white, with slight texture
- distance between places: 150 mm, can be retrofitted
- corresponds to the specifications of DGUV Guidelines 82 for children's day care facilities („Child daycare centres“)
- max. static load 20 kg
- 608 mm wide, 152 mm high, 132 mm deep
- for individualisation, additional HEWI pictogram sheets available as blank version for labelling 33.1772E or with motifs 33.1772A, 33.1772B, 33.1772C, 33.1772D (to be ordered separately)

Please advise colour of tumblers and triple hooks in the desired sequence (**from left to right**) as well as colour of holder when ordering.

**16 HEWI colours**



41382

477.90.054

33.1772...

**HEWI Tumbler**

**HEWI Triple hook** see page 94

**HEWI Pictograms** see page 565



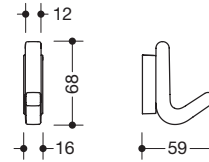
Item Number

Dimensions in mm / Specification



**New** 477.93.010

**New** 477.94B010



**HEWI Single hook**

- rounded edges, concealed fixing
- 16 mm wide, 68 mm high and 59 mm deep
- made of high-quality polyamide in 10 HEWI colours (99, 97, 95, 92, 90, 18, 33, 74, 55, 50)

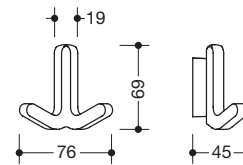
**HEWI Elastic single hook**

- do., yielding material, soft feel and rounded edges reduce the risk of impact and injury
- recommended load: max. 5 kg
- made of elastic and matt synthetic material (TPU) in 10 HEWI colours (99, 97, 95, 92, 90, 18, 33, 74, 55, 50)



**New** 477.93.020

**New** 477.94B020



**HEWI Double hook**

- rounded edges, concealed fixing
- 76 mm wide, 69 mm high and 45 mm deep
- made of high-quality polyamide in 10 HEWI colours (99, 97, 95, 92, 90, 18, 33, 74, 55, 50)

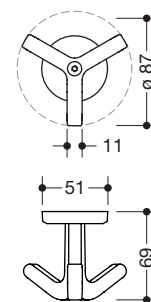
**HEWI Elastic double hook**

- do., yielding material, soft feel and rounded edges reduce the risk of impact and injury
- recommended load: max. 5 kg per hook part
- made of elastic and matt synthetic material (TPU) in 10 HEWI colours (99, 97, 95, 92, 90, 18, 33, 74, 55, 50)



**New** 477.93.030

**New** 477.94B030



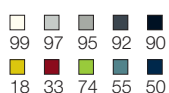
**HEWI Triple hook**

- rotatable hook
- rounded edges, to be screwed from below
- rose  $\varnothing$  51 mm, 80 mm wide, 69 mm high
- concealed fixing
- made of high-quality polyamide in 10 HEWI colours (99, 97, 95, 92, 90, 18, 33, 74, 55, 50)

**HEWI Elastic triple hook**

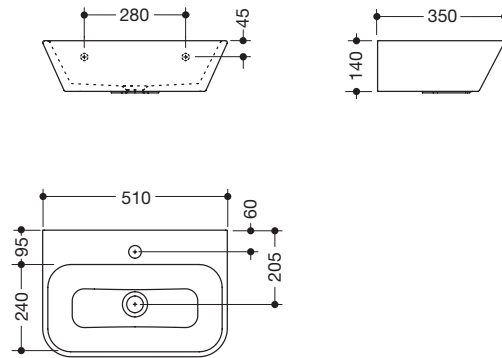
- do., yielding material, soft feel and rounded edges reduce the risk of impact and injury
- recommended load: max. 5 kg per hook part
- made of elastic and matt synthetic material (TPU) in 10 HEWI colours (99, 97, 95, 92, 90, 18, 33, 74, 55, 50)

**10 HEWI colours**





950.12.101



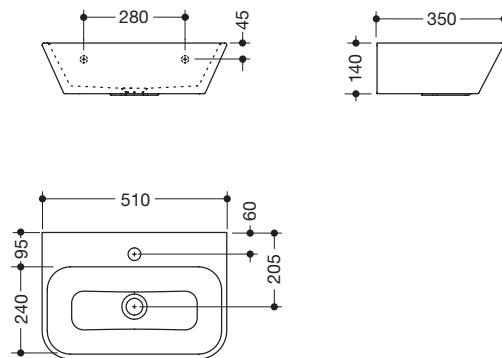
Mineral composite

**HEWI Washbasin**

- especially suitable for child daycare centres or guest toilet
- made of mineral composite with non-porous surface, alpine white
- rectangular basin with large radii
- without overflow
- prepared for single hole mixer tap\*
- 510 mm wide und 350 mm deep
- for hanger bolt fixing
- weight capacity to EN 14688
- high water temperature (e.g. for thermal disinfection): resistant to thermal shock up to 65 °C, resistant up to 80 °C for an exposure period of 5 minutes



950.12.1016



Mineral composite  
Outside apple green or aqua blue

**HEWI Washbasin**

- especially suitable for child daycare centres or guest toilet
- made of mineral composite with non-porous surface
- two-coloured: alpine white and HEWI colour 74 (apple green) or 55 (aqua blue)
- rectangular basin with large radii
- without overflow
- prepared for single hole mixer tap\*
- 510 mm wide und 350 mm deep
- for hanger bolt fixing
- weight capacity to EN 14688
- high water temperature (e.g. for thermal disinfection): resistant to thermal shock up to 65 °C, resistant up to 80 °C for an exposure period of 5 minutes

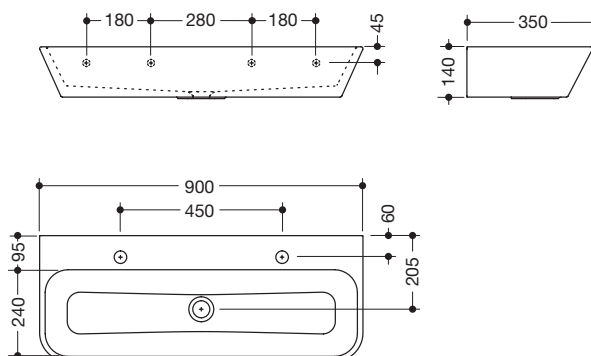
57978

**HEWI Repair kit**

\*without tap hole (for wall-mounted fittings) available on request

Item Number

Dimensions in mm / Specification



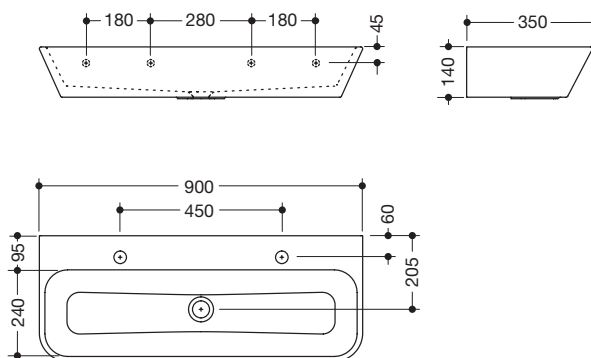
950.12.205

**HEWI Double washbasin**

- especially suitable for child daycare centres
- made of mineral composite with non-porous surface, alpine white
- rectangular basin with large radii
- without overflow
- prepared for single hole mixer taps\*
- 900 mm wide and 350 mm deep
- for hanger bolt fixing
- weight capacity to EN 14688
- high water temperature (e.g. for thermal disinfection): resistant to thermal shock up to 65 °C, resistant up to 80 °C for an exposure period of 5 minutes

Mineral composite

Kids | Cloakrooms



950.12.2056

**HEWI Double washbasin**

- especially suitable for child daycare centres
- made of mineral composite with non-porous surface
- two-coloured: alpine white and HEWI colour 74 (apple green) or 55 (aqua blue)
- rectangular basin with large radii
- without overflow
- prepared for single hole mixer taps\*
- 900 mm wide and 350 mm deep
- for hanger bolt fixing
- weight capacity to EN 14688
- high water temperature (e.g. for thermal disinfection): resistant to thermal shock up to 65 °C, resistant up to 80 °C for an exposure period of 5 minutes

Mineral composite  
Outside apple green or aqua blue

**Cleaning instructions:** Commercially available paints for children (finger paint, opaque paint, primary paint, tempera block paint and acrylic paint) can be removed without leaving any residue. However, if slight discolouration occurs, it can be removed with the polish from the repair kit (art. no. 57978).

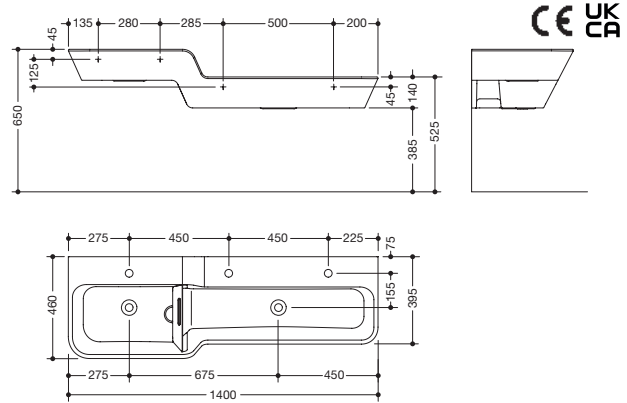
Item Number

Dimensions in mm / Specification



Mineral composite

950.12.301  
950.12.302



**HEWI Row washbasin with height graduation**

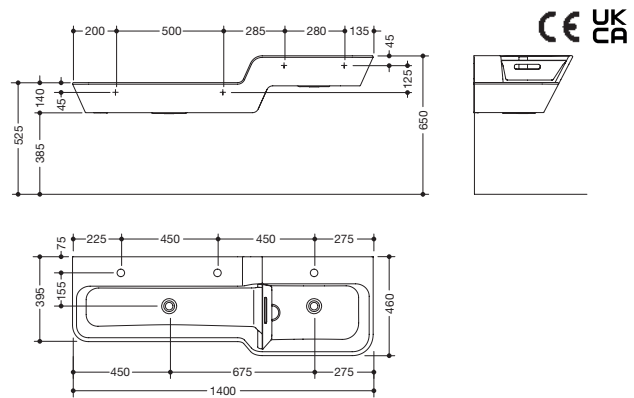
- especially suitable for child daycare centres
- made of mineral composite with non-porous surface, alpine white
- 2 interconnected rectangular basins with large radii
- height offset 125 mm, the lower basin has a smaller depth
- 1400 mm wide, 265 mm high and 460 / 395 mm deep
- incl. baffle made of Plexiglas, suitable for water play (not completely sealing)
- without overflow, incl. 2 standpipe valves for water accumulation
- depth of basin 125 mm
- prepared for 3 single-hole taps\*, for hanger bolt fixing
- loading capacity to EN 14688
- high water temperature (e.g. when carrying out thermal disinfection): change resistant up to 65 °C, resistant up to 80 °C over a load period of 5 minutes

version left, 3 places, transparent baffle in blue  
version left, 3 places, opaque baffle in green



Mineral composite

950.12.303  
950.12.304



**HEWI Row washbasin with height graduation**

- especially suitable for child daycare centres
- made of mineral composite with non-porous surface, alpine white
- 2 interconnected rectangular basins with large radii
- height offset 125 mm, the lower basin has a smaller depth
- 1400 mm wide, 265 mm high and 460 / 395 mm deep
- incl. baffle made of Plexiglas, suitable for water play (not completely sealing)
- without overflow, incl. 2 standpipe valves for water accumulation
- depth of basin 125 mm
- prepared for 3 single-hole taps\*, for hanger bolt fixing
- loading capacity to EN 14688
- high water temperature (e.g. when carrying out thermal disinfection): change resistant up to 65 °C, resistant up to 80 °C over a load period of 5 minutes

version right, 3 places, transparent baffle in blue  
version right, 3 places, opaque baffle in green

57978

**HEWI Repair kit**

\*without tap hole (for wall-mounted fittings) available on request

Item Number

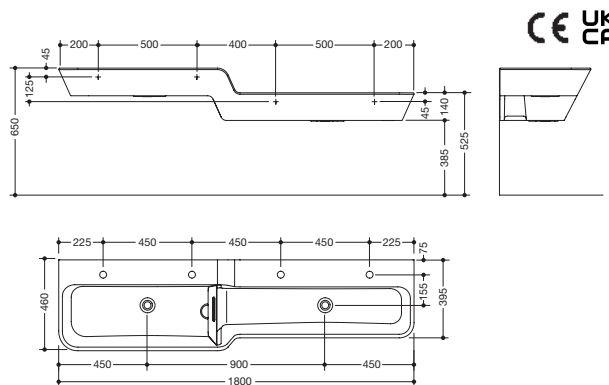
Dimensions in mm / Specification



Mineral composite

950.12.305

950.12.306

**HEWI Row washbasin with height graduation**

- especially suitable for child daycare centres
- made of mineral composite with non-porous surface, alpine white
- 2 interconnected rectangular basins with large radii
- height offset 125 mm, the lower basin has a smaller depth
- 1800 mm wide, 265 mm high and 460 / 395 mm deep
- incl. baffle made of Plexiglas, suitable for water play (not completely sealing)
- without overflow, incl. 2 standpipe valves for water accumulation
- depth of basin 125 mm
- prepared for 4 single-hole taps\*, for hanger bolt fixing
- loading capacity to EN 14688
- high water temperature (e.g. when carrying out thermal disinfection): change resistant up to 65 °C, resistant up to 80 °C over a load period of 5 minutes

version left, 3 places, transparent baffle in blue

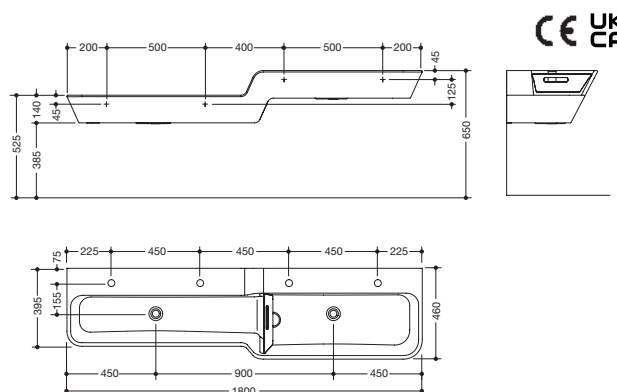
version left, 3 places, opaque baffle in green



Mineral composite

950.12.307

950.12.308

**HEWI Row washbasin with height graduation**

- especially suitable for child daycare centres
- made of mineral composite with non-porous surface, alpine white
- 2 interconnected rectangular basins with large radii
- height offset 125 mm, the lower basin has a smaller depth
- 1800 mm wide, 265 mm high and 460 / 395 mm deep
- incl. baffle made of Plexiglas, suitable for water play (not completely sealing)
- without overflow, incl. 2 standpipe valves for water accumulation
- depth of basin 125 mm
- prepared for 4 single-hole taps\*, for hanger bolt fixing
- loading capacity to EN 14688
- high water temperature (e.g. when carrying out thermal disinfection): change resistant up to 65 °C, resistant up to 80 °C over a load period of 5 minutes

version right, 3 places, transparent baffle in blue

version right, 3 places, opaque baffle in green

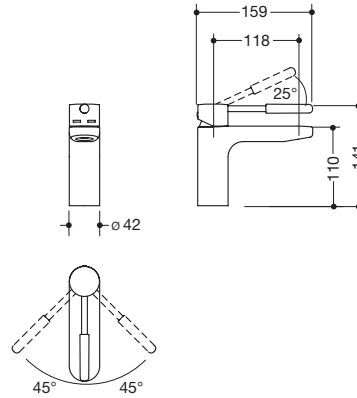
**Cleaning instructions:** Commercially available paints for children (finger paint, opaque paint, primary paint, tempera block paint and acrylic paint) can be removed without leaving any residue. However, if slight discolouration occurs, it can be removed with the polish from the repair kit (art. no. 57978).

Item Number

Dimensions in mm / Specification



**AQ1.12M10240**



**HEWI Single lever washbasin mixer tap AQ 800 K**

- high-quality chrome-plated, round, flow rate 5 l/min
- with coloured grip element made of high-quality polyamide
- ceramic cartridge Kerox K-35OP, pressure resistant up to 35 bar
- laminar jet controller with dynamic flow control 5 l/min, angle adjustable and with anti-theft protection
- connection via flexible pressure hoses with woven-in hot-cold marking L = 450 mm, G 3/8"
- brass fitting body, noise class 1
- operating lever with hot-cold marking
- 141 mm high, projection 159 mm
- rigid outlet, without waste fittings
- suitable for thermal disinfection to DVGW W 551, DVGW certified



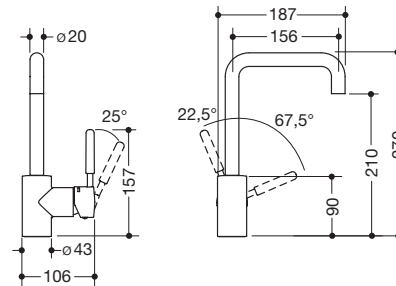
⊕ **AQ1D12M10240**

**HEWI active+ Single lever washbasin mixer tap AQ 800 K**

- do., with coloured lever grip element made of high-quality polyamide in HEWI colour 98 (signal white), with active antimicrobial microsilver



**AQ1.12M10640\***



**HEWI Single lever washbasin mixer tap AQ 477/801**

- high-quality chrome-plated, round tube
- with coloured lever grip element\* made of polyamide
- flow rate 5 l/min, noise class 1
- Kerox K-35B ceramic cartridge, pressure resistant up to 35 bar
- laminar jet controller with dynamic flow control 5 l/min, with anti-theft protection
- connection via flexible pressure hoses with woven-in hot-cold marking 450 mm long, G 3/8"
- brass fitting body
- open operating lever with hot-cold marking
- 270 mm high, projection 187 mm
- swivel spout, can optionally be locked in position
- without waste fittings
- suitable for thermal disinfection to DVGW W 551
- DVGW certified



⊕ **AQ1D12M10640**

**HEWI active+ Single lever washbasin mixer tap AQ 477/801**

- do., with coloured lever grip element made of high-quality polyamide in HEWI colour 98 (signal white), with active antimicrobial microsilver

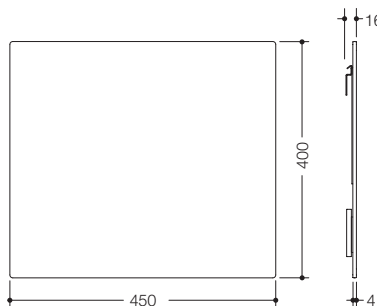
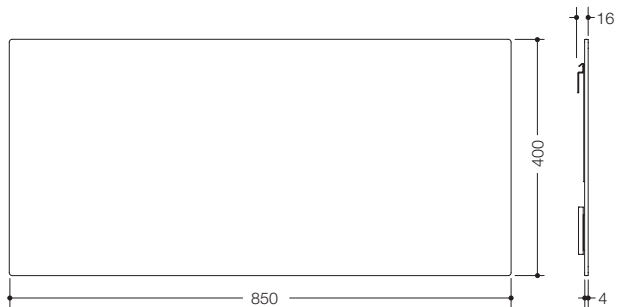
65087

**HEWI Mini thermostat** to be ordered separately, see page 581

Item Number

Dimensions in mm / Specification

Kids | Cloakrooms



950.01.511

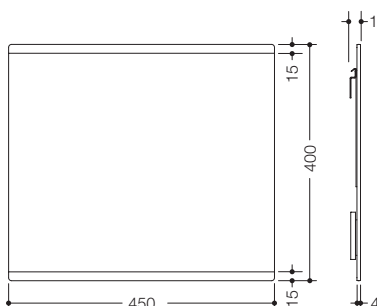
**HEWI Mirror**

- rectangular, made of ESG-safety glass with shatter protection film
- concealed fixing
- can only be mounted horizontally, with safety catch
- 850 mm wide, 400 mm high, mirror 4 mm thick
- distance to wall: 12 mm, including fixing material

ESG safety glass with shatter protection film

950.01.501

- do., 450 mm wide



950.01.510

**HEWI Mirror**

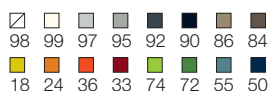
- rectangular with coloured, back-painted horizontal edge
- mirror made of ESG safety glass with shatter protection film
- back-painting in HEWI colour 74 (apple green)
- concealed fixing, can only be mounted horizontally, with safety catch
- 850 mm wide, 400 mm high, mirror 4 mm thick
- mirror surface 850 mm wide, 370 mm high
- distance to wall: 12 mm, including fixing material

ESG safety glass with shatter protection film

950.01.500

- do., 450 mm wide, mirror surface 450 mm wide, 370 mm high

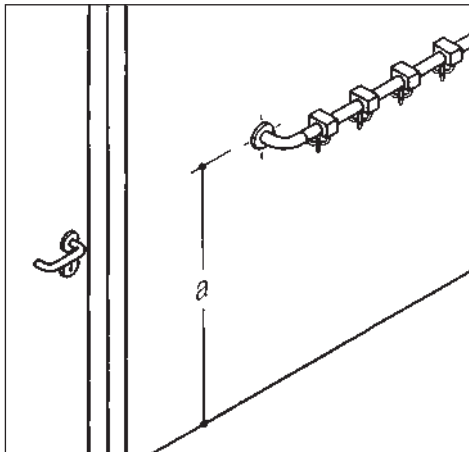
**16 HEWI colours**



# Cloakrooms







**CLOAKROOMS**

This index includes cloakroom rails with varying hook shapes, hat shelves, foot stools, wall hooks, clothes hangers and pictographs.

These products have been designed specifically for use in public areas and therefore take into account in particular the high demands of nurseries, schools, hospitals, doctors' surgeries etc.

**PLANNING**

Clear and comprehensible tables allow for an easy match-up available space requirements and the HEWI product range.

**DELIVERY**

HEWI supplies pre-assembled components, coat and towel rails up to a max. length of 2.70 m.

**INSTALLATION**

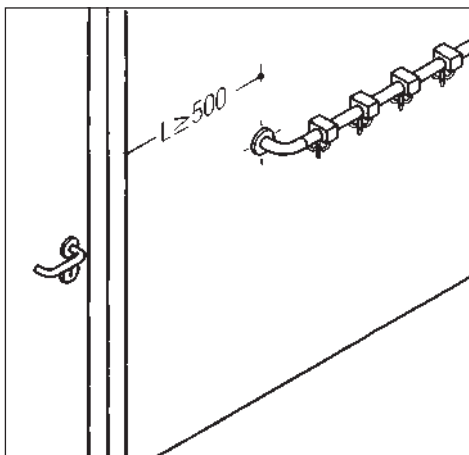
Wall-mounted cloak rails are easily installed via plug connection.

**HOOK DISTANCES**

The following standard applies to HEWI products:

150 mm for coat and towel rails.

If in doubt, distances should be agreed with the local planning authorities.



**RECOMMENDED INSTALLATION HEIGHT FOR CLOAK RAILS:**

Nursery	1200 ± 100 mm
Primary school	1400 ± 100 mm
Secondary school	1600 ± 100 mm

**RECOMMENDED INSTALLATION HEIGHT FOR WASHROOMS:**

Nursery	900 ± 100 mm
---------	--------------

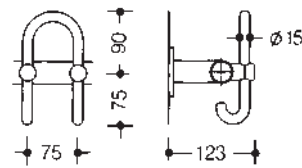


**SAFETY**

Cloakrooms must be designed in such a way as to exclude in as far as is possible the risk of injury. Rounded elements, hooks facing inwards or rotating hooks and enclosed fixtures reduce the risk of injury. HEWI cloakrooms fulfil these conditions and are tested for enhanced requirements in nurseries or schools according to GS (certified safety standards) in accordance with current regulations.

Item Number

Dimensions in mm / Specification

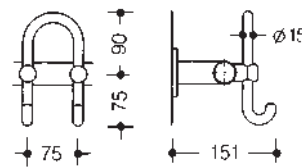


**...6H Prices**

**HEWI Hook for cloakrooms rails**

- for combination with HEWI cloakroom rails  $\varnothing$  33 mm
- stationary double hook, facing inwards
- made of high-quality polyamide

In 16 HEWI colours

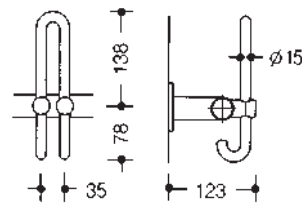


**...6V**

**HEWI Hook for cloakrooms rails**

- for combination with HEWI cloakroom rails  $\varnothing$  33 mm
- stationary double hook, facing outwards
- made of high-quality polyamide

In 16 HEWI colours

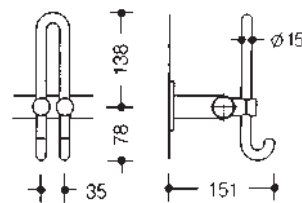


**...7H**

**HEWI Hook for cloakrooms rails**

- for combination with HEWI cloakroom rails  $\varnothing$  33 mm
- stationary double hook, facing inwards
- made of high-quality polyamide

In 16 HEWI colours



**...7V**

**HEWI Hook for cloakrooms rails**

- for combination with HEWI cloakroom rails  $\varnothing$  33 mm
- stationary double hook, facing outwards
- made of high-quality polyamide

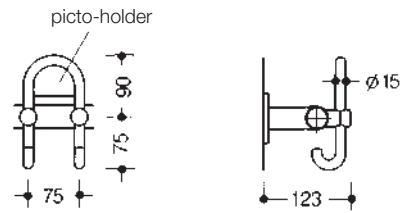
In 16 HEWI colours

Item Number

Dimensions in mm / Specification



...6HP



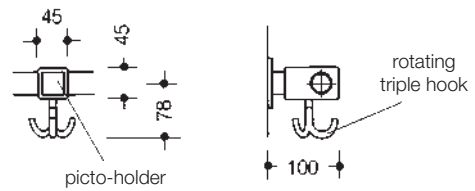
**HEWI Hook for cloakrooms rails**

- for combination with HEWI cloakroom rails  $\varnothing$  33 mm
- stationary double hook facing inwards, with picto-holder for HEWI pictograms 33.1771...
- made of high-quality polyamide

In 16 HEWI colours



...P8



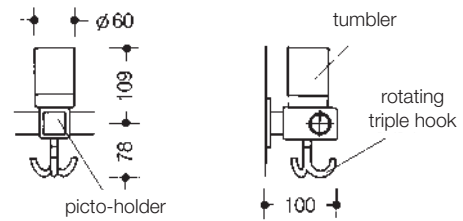
**HEWI Hook for cloakrooms rails**

- for combination with HEWI cloakroom rails  $\varnothing$  33 mm
- with rotating triple hook and picto-holder for HEWI pictograms 33.1770...
- made of high-quality polyamide

In 16 HEWI colours



...PB8



**HEWI Hook for cloakrooms rails**

- for combination with HEWI cloakroom rails  $\varnothing$  33 mm
- with rotating triple hook, picto-holder for HEWI pictograms 33.1770... and tumbler
- suitable HEWI pictograms for tumbler: 33.1772....
- made of high-quality polyamide

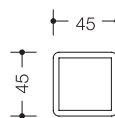
In 16 HEWI colours

41382

**HEWI Tumbler**



713



**HEWI Picto-frame**

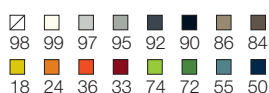
- with frame 36 x 36 mm for HEWI Pictograms 33.1770...
- fixing with 2 wood screws  $\varnothing$  3,5 mm or double-sided adhesive tape
- made of high-quality polyamide
- supplied without fixing material

In 16 HEWI colours

713.5

Packing unit 5 pcs

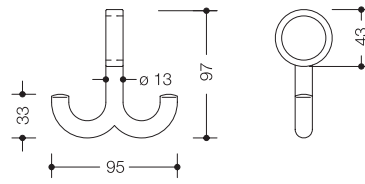
**16 HEWI colours**



**HEWI Pictograms** see page 565

Item Number

Dimensions in mm / Specification

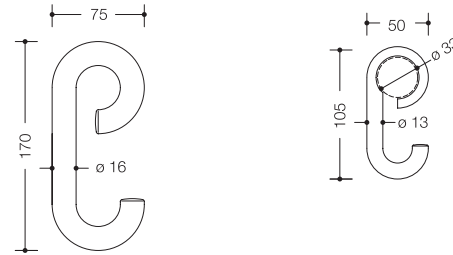


33.1700

**HEWI Double hook for cloakroom rails**

- movable, for use with cloakroom rails  $\varnothing$  33 mm
- recommended minimum distance 150 mm centre to centre
- made of high-quality polyamide

In 16 HEWI colours



40.1710

**HEWI Hook for cloakroom rails**

- movable, for use with cloakroom rails  $\varnothing$  33 mm
- recommended minimum distance 75 mm centre to centre
- made of high-quality polyamide

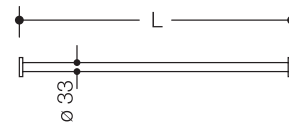
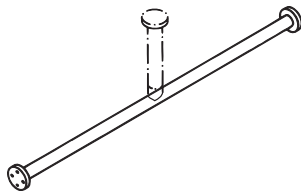
In 16 HEWI colours



477.30.020  
477.30B020

**HEWI Hook for cloakroom rails**

- do., made of high-quality polyamide in 16 HEWI colours
- do., made of high-quality matt polyamide in 5 HEWI colours

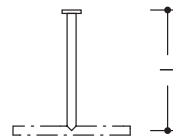
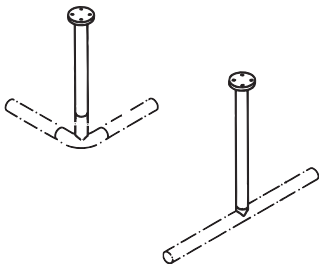


33.7030

**HEWI Cloakroom rail**

- for use with hangers or movable hooks
- railing system  $\varnothing$  33 mm
- high-quality polyamide with corrosion resistant steel core
- length can be shortened to every dimension
- with stainless steel roses  $\varnothing$  70 mm for wall mounting

In 16 HEWI colours



33.7100A  
33.7100B

**HEWI Ceiling support**

- railing system,  $\varnothing$  33 mm
- high-quality polyamide with corrosion resistant steel core
- length not adjustable
- with stainless steel roses  $\varnothing$  70 mm for ceiling mounting

fitted on 90°-bend  
fitted on straight rail

In 16 HEWI colours

Supplied only in combination with cloakroom rail.

**5 matt HEWI colours**

- 98 99 97 95 92

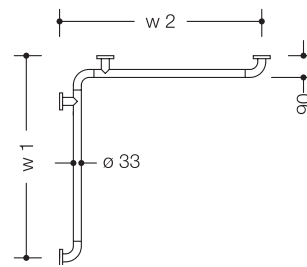
Important note: The cloakroom rails listed here are non-returnable.

Supplied without mounting screws and plugs

**HEWI Coat hangers** see page 564

Item Number

Dimensions in mm / Specification



**33.7300.PB8**



**HEWI Cloakroom rail, corner version**

- railing system  $\varnothing$  33 mm
- polyamide with corrosion resistant steel core
- with rotating triple hook and picto-holder for HEWI pictograms 33.1770... and tumbler
- hook distance 150 mm
- pre-mounted with stainless steel roses  $\varnothing$  70 mm for wall mounting
- supplied without mounting screws and plugs

Item Number	<b>33.7300.PB8</b>
Hook distance	150 mm
Places	w1/w2 (mm)
2	400
3	550
4	700
5	850
6	1000
7	1150
8	1300
9	1450
10	1600
11	1750
12	1900
13	2050
14	2200
15	2350
16	2500
17	2650
18	2800
19	2950
20	3100
21	3250
22	3400
23	3550
24	3700
25	3850

Other lengths on request

**Graduated dimensions for cloakroom rails with fixed hooks and picto-holders**

**Please note:**

HEWI Pictograms (page 465) must be ordered separately, as they are not included in the scope of delivery.

**Checklist**

for cloakroom rail with hooks

We require the following information from you when you place your order:

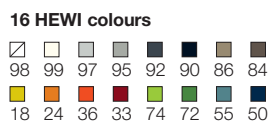
- **item number**
- **colour**
- **mounting clearance w1 and w2 (mm)**

**Explanation**

Mounting clearance w1 or w2 + 35 mm is equivalent to the required length of the cloakroom rail including roses (see above).

Depending on the centre distance delivery includes additional supports.

In 16 HEWI colours



**...PB8**  
**41382**  
**33.1770...**

Important note: The cloakroom rails listed here are non-returnable.

**HEWI Hooks for cloakroom rails** see page 559

**HEWI Tumbler**

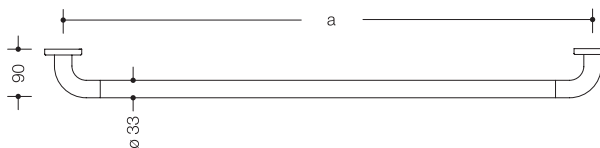
**HEWI Pictograms** see page 565

Item Number

Dimensions in mm / Specification



33.7010



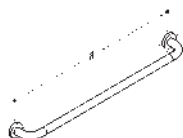
**HEWI Cloakroom rail**

- railing system ø 33 mm
- polyamide with corrosion resistant steel core
- pre-mounted with stainless steel roses ø 70 mm for wall mounting
- supplied without mounting screws and plugs

**Graduated dimensions for cloakroom rails without hooks/with movable hooks**

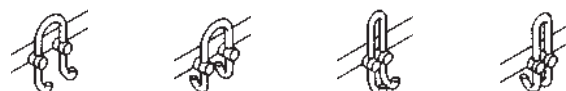
**Please note:**

Movable hooks must be ordered separately, as they are not included in the scope of delivery.



Item Number	33.7010
a (mm)	
300-599	
600-1099	
1100-1599	
1600-2099	
2100-2599	
2600-3099	
3100-3599	
3600-4099	

**Graduated dimensions for cloakroom rails with fixed hooks without picto-holder**



Item Number	33.7010.6V	33.7010.6H	33.7010.7V	33.7010.7H
Hook distance	150 mm			
Places	a (mm)			
2	450			
3	600			
4	750			
5	900			
6	1050			
7	1200			
8	1350			
9	1500			
10	1650			
11	1800			
12	1950			
13	2100			
14	2250			
15	2400			
16	2550			
17	2700			
18	2850			
19	3000			
20	3150			
21	3300			
22	3450			
23	3600			
24	3750			
25	3900			

In 16 HEWI colours

Other lengths on request

Important note: The cloakroom rails listed here are non-returnable.

**HEWI Hooks for cloakrooms rails** see page 558

**HEWI Coat hangers** see page 564

**Checklist**

for cloakroom rail with hooks

We require the following information from you when you place your order:

- **item number**
- **colour**
- **mounting clearance a (mm)**

**Explanation**

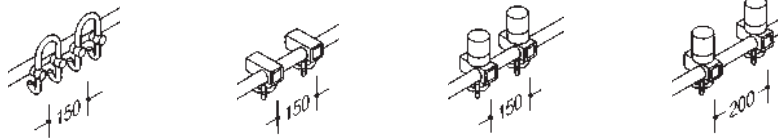
Mounting clearance a + 70 mm is equivalent to the required length of the cloakroom rail inclusive of roses (see drawing left).

Depending on the centre distance delivery includes additional supports.

**Graduated dimensions for cloakroom rails with fixed hooks and picto-holders**

**Please note:**

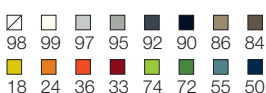
HEWI Pictograms (page 565) must be ordered separately, as they are not included in the scope of delivery.



Item Number	33.7310.6HP	33.7310.P8	33.7310.PB8	33.7410.PB8
Hook distance	150 mm	150 mm	150 mm	200 mm
Places	a (mm)	a (mm)	a (mm)	a (mm)
2	450	326	326	376
3	600	476	476	576
4	750	626	626	776
5	900	776	776	976
6	1050	926	926	1176
7	1200	1076	1076	1376
8	1350	1226	1226	1576
9	1500	1376	1376	1776
10	1650	1526	1526	1976
11	1800	1676	1676	2176
12	1950	1826	1826	2376
13	2100	1976	1976	2576
14	2250	2126	2126	2776
15	2400	2276	2276	2976
16	2550	2426	2426	3176
17	2700	2576	2576	3376
18	2850	2726	2726	3576
19	3000	2876	2876	3776
20	3150	3026	3026	3976
21	3300	3176	3176	4176
22	3450	3326	3326	4376
23	3600	3476	3476	4576
24	3750	3626	3626	4776
25	3900	3776	3776	4976

Other lengths on request

**16 HEWI colours**



41382  
33.177...

Important note: The cloakroom rails listed here are non-returnable.

**HEWI Hook for Cloakroom rails** see page 559

**HEWI Tumbler**

**HEWI Pictograms** see page 565

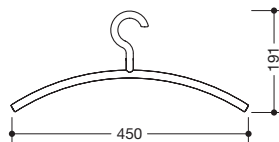
Item Number

Dimensions in mm / Specification



**570.1**  
**New** 570.99.001  
**570.3**

In 16 HEWI colours



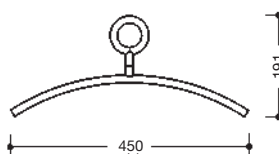
**HEWI Coat hanger**

- ø 16 mm, suitable for HEWI rails ø 33 mm
- made of high-quality polyamide in 16 HEWI colours
- with fixed hook
- do., packaging unit 5 pcs. (identical colours)
- with rotating hook with locking points at 90° intervals
- made of high-quality matt polyamide in 16 HEWI colours
- with fixed hook
- do., packaging unit 5 pcs. (identical colours)
- with rotating hook with locking points at 90° intervals



**570.2**  
**570.4**

In 16 HEWI colours



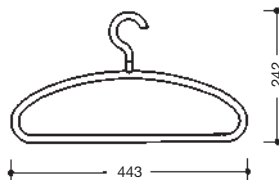
**HEWI Coat hanger**

- ø 16 mm, suitable for HEWI rails ø 33 mm
- made of high-quality polyamide
- with fixed eye
- with rotating eye with locking points at 90° intervals



**571.3**

In 16 HEWI colours



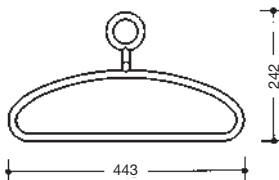
**HEWI Coat/trouser hanger**

- ø 14 mm
- suitable for HEWI rails ø 33 mm
- with rotating hook with locking points at 90° intervals
- made of high-quality polyamide



**571.4**

In 16 HEWI colours



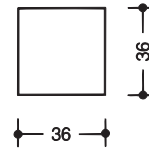
**HEWI Coat/trouser hanger**

- ø 14 mm
- suitable for HEWI rails ø 33 mm
- with rotating eye with locking points at 90° intervals
- made of high-quality polyamide



Item Number

Dimensions in mm / Specification



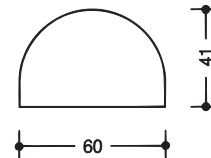
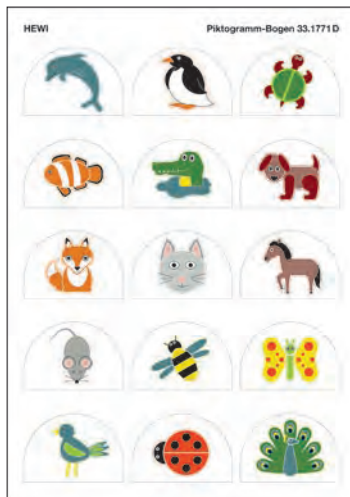
33.1770...

**HEWI Pictogram-set**

- multicoloured
- for pictogram-hook ...P8, ...PB8 and picto-holder 713
- 36 x 36 mm, not self-adhesive
- 25 different pictograms per set

- ...A
- ...B
- ...D
- ...E

- set, nature
- set, vehicles | toys
- set, animals
- blank set, white without design, for individual lettering or decorating



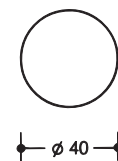
33.1771...

**HEWI Pictogram-set**

- multicoloured
- for HEWI hook ...6HP and double hook 801.90.031
- 60 x 41 mm, self-adhesive
- 25 different pictograms per set

- ...A
- ...B
- ...D
- ...E

- set, nature
- set, vehicles | toys
- set, animals
- blank set, white without design, for individual lettering or decorating



33.1772...

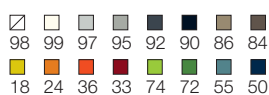
**HEWI Pictogram-set**

- multicoloured, e.g. for HEWI tumbler
- ø 40 mm, self-adhesive
- 25 different pictograms per set

- ...A
- ...B
- ...D
- ...E

- set, nature
- set, vehicles | toys
- set, animals
- blank set, white without design, for individual lettering or decorating

**16 HEWI colours**



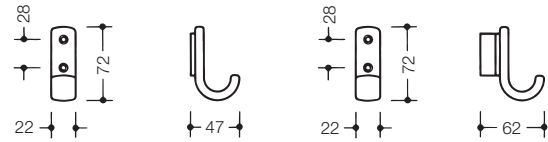
Item Number

Dimensions in mm / Specification



477.90.060  
477.90B060

In 16 HEWI colours



**HEWI Coat hook**

- 72 mm high, 22 mm wide and 47 mm deep
- mounting distance 28 mm
- made of high-quality polyamide in 16 HEWI colours
- made of high-quality matt polyamide in 16 HEWI colours

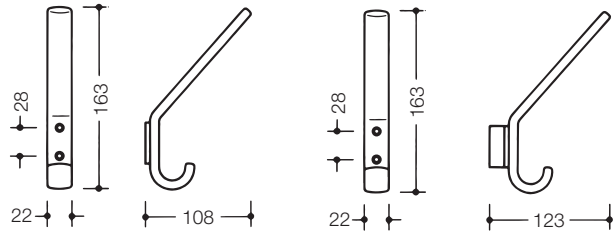
**HEWI Coat hook**

- do., with spacer, 62 mm deep
- made of high-quality polyamide in 16 HEWI colours
- made of high-quality matt polyamide in 16 HEWI colours



477.90.070  
477.90B070

In 16 HEWI colours



**HEWI Coat hook**

- 163 mm high, 22 mm wide and 108 mm deep
- mounting distance 28 mm
- made of high-quality polyamide in 16 HEWI colours
- made of high-quality matt polyamide in 16 HEWI colours

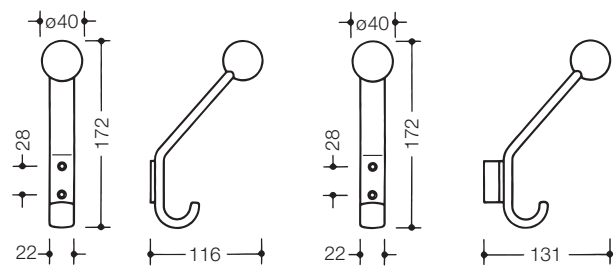
**HEWI Coat hook**

- do., with spacer, 123 mm deep
- made of high-quality polyamide in 16 HEWI colours
- made of high-quality matt polyamide in 16 HEWI colours



477.90.080  
477.90B080

In 16 HEWI colours



**HEWI Coat hook**

- with ball,  $\varnothing$  40 mm
- 172 mm high, 22 mm wide and 116 mm deep
- mounting distance 28 mm
- made of high-quality polyamide in 16 HEWI colours
- made of high-quality matt polyamide in 16 HEWI colours

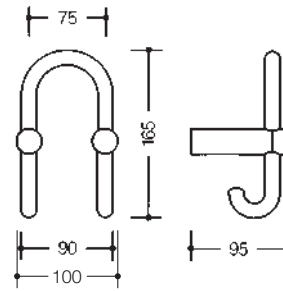
**HEWI Coat hook**

- do., with spacer, 131 mm deep
- made of high-quality polyamide in 16 HEWI colours
- made of high-quality matt polyamide in 16 HEWI colours

Supplied without fixing material.

Item Number

Dimensions in mm / Specification

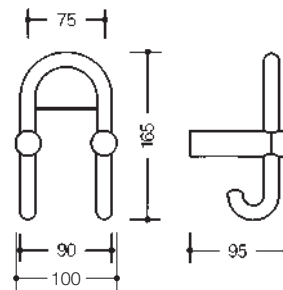


**HEWI Double coat hook**

- two synthetic material support pins with a stirrup-shaped hook
- reduced risk of injury as hooks face inwards towards wall
- 100 mm wide, 165 mm high and 95 mm deep, c to c 75 mm
- made of high-quality polyamide in 16 HEWI colours
- made of high-quality matt polyamide in 16 HEWI colours

In 16 HEWI colours

**801.90.030**  
**801.90B030**

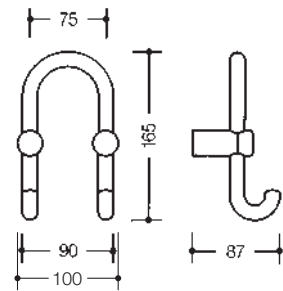


**HEWI Double coat hook with picto-holder**

- hooks face inwards
- mounting distance 75 mm, 165 mm high, projection 95 mm
- with pictogram-holder for HEWI pictogram 33.1771...

In 16 HEWI colours

**801.90.031**



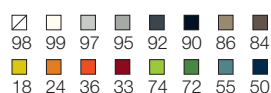
**HEWI Double coat hook**

- two synthetic material support pins with a stirrup-shaped hook
- hooks facing outwards
- 100 mm wide, 165 mm high and 87 mm deep, c to c 75 mm
- made of high-quality polyamide in 16 HEWI colours
- made of high-quality matt polyamide in 16 HEWI colours

In 16 HEWI colours

**801.90.040**  
**801.90B040**

**16 HEWI colours**



**33.1771...**

**HEWI Pictograms** see page 565



### PRODUCT CHARACTERISTICS

- The new powder-coated surface of various mixer variants in matt black sets aesthetic accents in the bathroom
- HEWI system fittings form one design unit with the HEWI sanitary accessories, accessibility products and washbasins
- One shape style – two types of operation (available as selected as manually operable single lever mixer washbasin tap or as sensor-controlled fitting)
- They represent quality: High operating comfort, simple cleaning, hygienic design, utilising qualitative high-quality components and maintenance-friendliness
- HEWI fittings fulfil the requirements for DVGW and DIN 15091
- 5 year manufacturer guarantee

### RECOMMENDED APPLICATION AREAS

Professional Care, Home, Public, Hotel, Education



# Fittings

Available only in DE, AT, BE, NL, LU, FR, PL and restricted in UK

## DESIGN

HEWI, Bad Arolsen

## MATERIAL AND SURFACES

High-quality chrome-plated, in stainless steel look and black powder-coated.

## FITTINGS

Product characteristics	571 – 573
Product range	574 – 575
Single lever washbasin mixer taps	576 – 580
Electronic washbasin fittings	582 – 584
Shower thermostats	585
Pictograms	586







## Long-lasting quality Safe utilisation

Selected, first-class materials enable durable, long-lasting fittings and also provide safety for drinking water quality. Perfected technology as well as the exclusive utilisation of high-quality components create the prerequisites for lasting reliability. Its external surface is robustly designed, so that even continuous use in highly-frequented public sanitary rooms cannot harm it.

**Kerox** cartridges, for example, enable precise adjustment of water volume and temperature as well as permanent ease of movement. **Neoperl** jet regulators form an exact water jet and prevent splash water and aerosol formation. The return flow preventer from Neoperl guarantee high independent safety for the HEWI shower head thermostat.

The reliable sensor technology from **micas** prevents false activations of the electronic wash basin fittings.

**A. u. K. Müller** has more than 60 years' experience in the development and production of electromagnetic valves.

To ensure the hygiene and lifetime requirements for the SENSORIC fittings, here HEWI also opts for quality made in Germany. Thermostat cartridges from **Flühs** enable a constant water temperature for HEWI shower head thermostats.



## Tried and tested sustainability DVGW Certification

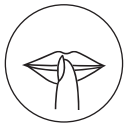
DVGW certification, as well as fulfilling compliance with the DIN 15091 criteria document, means that HEWI system fittings fulfil the highest quality standards. Fulfillment of highest-possible requirements with regard to safety, hygiene and functionality are therefore confirmed by an independent test institute. DVGW certification designates fittings from monitored production.

## Reliable 5 year manufacturer guarantee

You can rely on HEWI system valves. HEWI system fittings provide you with the assurance that you have made the right decision. HEWI grants purchasers of system fittings with a five-year manufacturer's warranty in addition to the statutory warranty (for further information, refer to the HEWI manufacturer's guarantee).

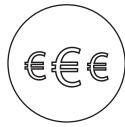
# Well thought-through functions

## Technology in detail



### PARTICULARLY QUIET

This fitting is particularly quiet. It fulfils the requirements of noise class 1 according to DVGW.



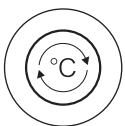
### SAVE WATER AND COSTS

Limitation of the flow rate (5 l/minute) as well as clever jet shaping reduces water consumption while maintaining full comfort.



### RESOURCE CONSERVING

The hot water limitation and the dynamic limitation of the throughflow volume to 5 l/minute enables the fitting to consume less energy and water.



### SAFETY BY UTILISING ADJUSTABLE HOT WATER LIMITATION

The individually adjustable hot water limiter increases user safety and helps to save energy.



### LAMINAR FLOW REGULATOR FROM NEOPERL

The surface-flush jet regulator, with its theft-protected design, is ideal for utilisation in public sanitary rooms. An optional Neoperl jet regulator with pearl effect (air admixture) is available for use in private bathrooms.



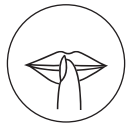
With the adjustable, surface-flush jet regulator, the water jet angle can be optimally adapted to the shape of the washbasin.



The surface-flush jet regulator is particularly easy to clean and decalcify due to its design.



Outstanding quality is created when every detail is well thought-through and provides noticeable benefits. This becomes clear with the system fittings due to a large number of technical properties, which characterise each individual HEWI fitting. For a better overview, the respective technical product properties are assigned to the fittings as pictograms.

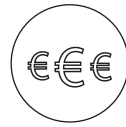


**PARTICULARLY QUIET**

It fulfils the requirements of noise class 1 according to DVGW.



The Service app allows simultaneously hygienic flushing possible for all installed SENSORIC fittings. Both water consumption and user frequency can be checked. For hygiene flushing and continuous operation, a record and output function is available. The cleaning mode can be adjusted to various profiles.



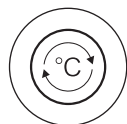
**SAVE WATER AND COSTS**

Limitation of the flow rate (5 l/minute) as well as clever jet shaping reduces water consumption while maintaining full comfort.



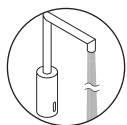
**RESOURCE CONSERVING**

The hot water limitation and the dynamic limitation of the throughflow volume to 5 l/minute enables the fitting to consume less energy and water.



**SAFETY THROUGH ADJUSTABLE HOT WATER LIMITATION**

The pre-set water temperature (approx. 30-36 °C) for the electronic washbasin fittings increases user safety and helps to save energy.



**AUTOMATIC HYGIENE PURGE**

Automatic hygiene purge prevents germs from colonising inside.



**LAMINAR FLOW REGULATOR FROM NEOPERL**

The surface-flush jet regulator, with its theft-protected design, is ideal for utilisation in public sanitary rooms. An optional Neoperl jet regulator with pearl effect (air admixture) is available for use in private bathrooms.



With the adjustable, surface-flush jet regulator, the water jet angle can be optimally adapted to the shape of the washbasin.



The surface-flush jet regulator is particularly easy to clean and decalcify due to its design.

**HEWI SENSORIC**

**ELECTRONIC WASHBASIN FITTINGS**  
HEWI SENSORIC washbasin fittings are sensor-controlled and can therefore be operated without contact.

HEWI active+  
 ⊕ 98 (signal white)

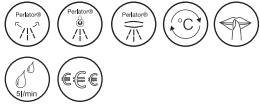
\*Grip element in 16 HEWI colours | \*\*in 6 matt HEWI colours

- ☐ 98 (signal white)\*\*
- ☐ 99 (pure white)\*\*
- ☐ 97 (light grey)\*\*
- ☐ 95 (stone grey)\*\*
- 92 (anthracite grey)\*\*
- 90 (jet black)\*\*
- 86 (sand)
- 84 (umber)

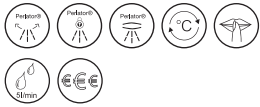
Single lever washbasin mixer taps



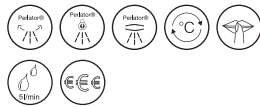
**Single lever washbasin mixer tap**  
**AQ 950**  
 AQ1.12M10340 page 576  
 AQ1.12M10940 page 576  
 AQ1.12M109XA page 576



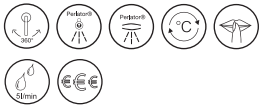
**Single lever washbasin mixer tap**  
**AQ 800**  
 AQ1.12M10140 page 577  
 AQ1.12M10840 page 577



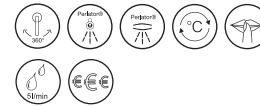
**Single lever washbasin mixer tap**  
**AQ 800 K**  
 AQ1.12M1...40\* page 578, 579  
 AQ1B12M1...40\*\* page 578, 579  
 AQ1D12M1...40 ⊕ page 578, 579



**Single lever washbasin mixer tap**  
**AQ 477/801**  
 AQ1.12M10440 page 580



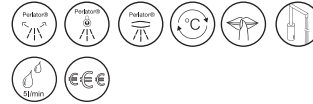
**Single lever washbasin mixer tap**  
**AQ 477/801**  
 AQ1.12M10640\* page 580  
 AQ1D12M10640 ⊕ page 580



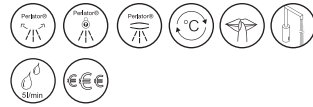
Electronic washbasin fittings



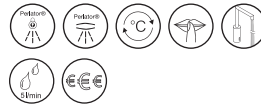
**Electronic washbasin fitting**  
**AQ 950**  
 AQ1.12S21...40 page 583  
 AQ1.12S21...XA page 583



**Electronic washbasin fitting**  
**AQ 800**  
 AQ1.12S20040 page 582  
 AQ1.12S20140 page 582



**Electronic washbasin fitting**  
**AQ 477/801**  
 AQ1.12S22040 page 584  
 AQ1.12S22140 page 584



Shower thermostats



**Shower thermostat**  
 AQ1.32T10040 page 585



**HEWI SAFE TOUCH**  
**Shower thermostat**  
 AQ1.32T50040 page 585



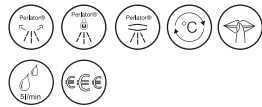
**Mini thermostat**  
 65087 page 581

- 18 (mustard yellow)
- 24 (orange)
- 36 (coral)
- 33 (ruby red)
- 74 (apple green)
- 72 (may green)
- 55 (aqua blue)
- 50 (steel blue)

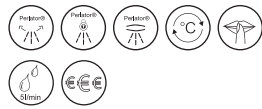
Single lever washbasin mixer taps



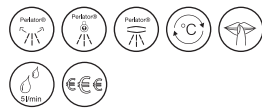
**Single lever washbasin mixer tap**  
**AQ 950**  
 AQ1.12M10360 page 576  
 AQ1.12M10960 page 576



**Single lever washbasin mixer tap**  
**AQ 800**  
 AQ1.12M10160 page 577  
 AQ1.12M10860 page 577



**Single lever washbasin mixer tap**  
**AQ 800 K**  
 AQ1...12M1...60 page 578, 579



Electronic washbasin fittings



**Electronic washbasin fitting**  
**AQ 950**  
 AQ1.12S21...60 page 583



**Electronic washbasin fitting**  
**AQ 800**  
 AQ1.12S20060 page 582  
 AQ1.12S20160 page 582



Shower thermostats



**HEWI SAFE TOUCH**  
**Shower thermostat**  
 AQ1.32T50060 page 585



**MATCHING PRODUCTS**



**Washbasins** from page 589



**Washbasin sets** from page 589



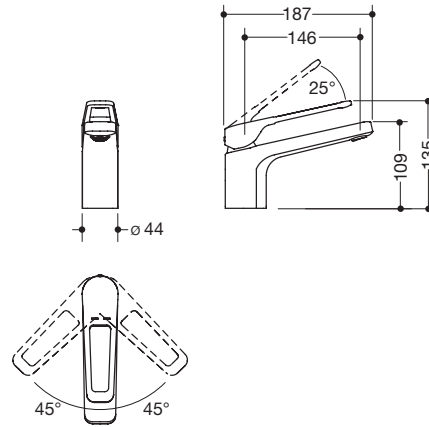
**Universal products** from page 691



**Universal products** from page 691

Item Number

Dimensions in mm / Specification



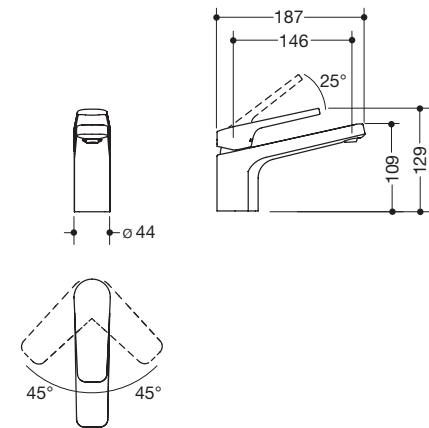
**HEWI Single lever washbasin mixer tap AQ 950**

- cubic, flow rate 5 l/min
- ceramic cartridge Kerox K-35OP, pressure resistant up to 35 bar
- laminar jet controller with dynamic flow control 5 l/min, angle adjustable and with anti-theft protection
- connection via flexible pressure hoses with woven-in hot-cold marking L = 450 mm, G 3/8"
- brass fitting body
- open operating lever with hot-cold marking
- 135 mm high, projection 187 mm
- rigid outlet, without waste set
- suitable for thermal disinfection to DVGW W 551
- noise class 1, DVGW certified



**AQ1.12M10340**  
**AQ1.12M10360**

- high-quality chrome-plated
- powder-coated in HEWI colour DC (matt black)



**HEWI Single lever washbasin mixer tap AQ 950**

- cubic, low rate 5 l/min
- ceramic cartridge Kerox K-35OP, pressure resistant up to 35 bar
- laminar jet controller with dynamic flow control 5 l/min, angle adjustable and with anti-theft protection
- connection via flexible pressure hoses with woven-in hot-cold marking L = 450 mm, G 3/8"
- brass fitting body
- operating lever with hot-cold marking
- 129 mm high, projection 187 mm
- rigid outlet, without waste set
- suitable for thermal disinfection to DVGW W 551
- noise class 1, DVGW certified



**AQ1.12M10940**  
**AQ1.12M10960**  
**AQ1.12M109XA**

- high-quality chrome-plated
- powder-coated in HEWI colour DC (matt black)
- PVD coated stainless steel look

65087

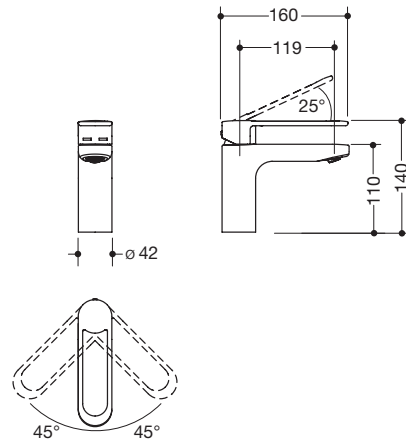
**HEWI Mini thermostat** to be ordered separately, see page 581

Item Number

Dimensions in mm / Specification



**AQ1.12M10140**  
**AQ1.12M10160**

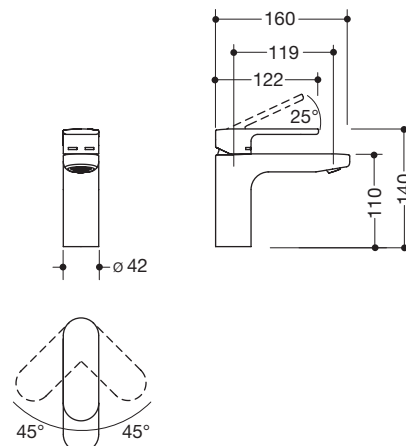


**HEWI Single lever washbasin mixer tap AQ 800**

- round, flow rate 5 l/min
- ceramic cartridge Kerox K-35OP, pressure resistant up to 35 bar
- laminar jet controller with dynamic flow control 5 l/min, angle adjustable and with anti-theft protection
- connection via flexible pressure hoses with woven-in hot-cold marking L = 450 mm, G 3/8"
- brass fitting body
- open operating lever with hot-cold marking
- 140 mm high, projection 160 mm
- rigid outlet, without waste set
- suitable for thermal disinfection to DVGW W 551
- noise class 1, DVGW certified
- high-quality chrome-plated
- powder-coated in HEWI colour DC (matt black)



**AQ1.12M10840**  
**AQ1.12M10860**

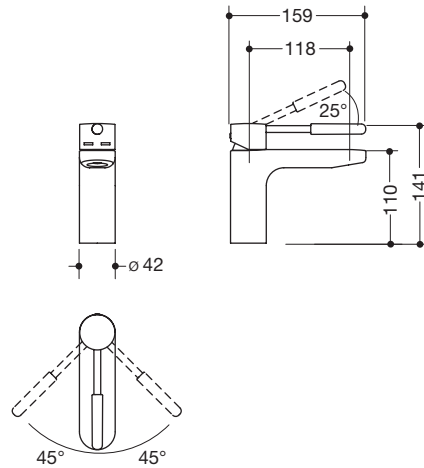


**HEWI Single lever washbasin mixer tap AQ 800**

- round, flow rate 5 l/min
- ceramic cartridge Kerox K-35OP, pressure resistant up to 35 bar
- laminar jet controller with dynamic flow control 5 l/min, angle adjustable and with anti-theft protection
- connection via flexible pressure hoses with woven-in hot-cold marking L = 450 mm, G 3/8"
- brass fitting body
- operating lever with hot-cold marking
- 140 mm high, projection 160 mm
- rigid outlet, without waste set
- suitable for thermal disinfection to DVGW W 551
- noise class 1, DVGW certified
- high-quality chrome-plated
- powder-coated in HEWI colour DC (matt black)

65087

**HEWI Mini thermostat** to be ordered separately, see page 581



**HEWI Single lever washbasin mixer tap AQ 800 K**

- round, flow rate 5 l/min
- ceramic cartridge Kerox K-35OP, pressure resistant up to 35 bar
- laminar jet controller with dynamic flow control 5 l/min, angle adjustable and with anti-theft protection
- connection via flexible pressure hoses with woven-in hot-cold marking L = 450 mm, G 3/8"
- brass fitting body, noise class 1
- operating lever with hot-cold marking
- 141 mm high, projection 159 mm
- rigid outlet, without waste set
- suitable for thermal disinfection to DVGW W 551
- DVGW certified
- high-quality chrome-plated
- with coloured grip element made of high-quality polyamide\*
- with coloured grip element made of high-quality matt polyamide\*\*
- grip element in HEWI colour 98 (signal white), with active antimicrobial microsilver
- powder-coated in matt black
- with coloured grip element in HEWI colour ET (signal white)\*\*\*
- with coloured grip element in HEWI colour RN (signal white matt) or CV (jet black matt)\*\*\*

- AQ1.12M10240**
- AQ1B12M10240**
- ⊕ **AQ1D12M10240**

- AQ1.12M10260**
- AQ1B12M10260**



**\*\*Grip element in 6 matt HEWI colours**

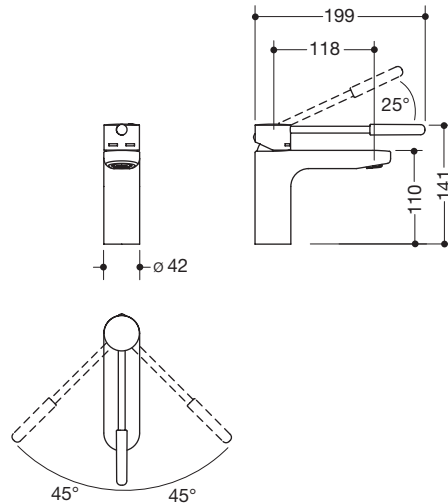


**\*\*\*Grip element in 3 HEWI colours**



Item Number

Dimensions in mm / Specification



**HEWI Single lever washbasin mixer tap AQ 800 K**

- with extended lever
- round, flow rate 5 l/min
- ceramic cartridge Kerox K-35OP, pressure resistant up to 35 bar
- laminar jet controller with dynamic flow control 5 l/min, angle adjustable and with anti-theft protection
- connection via flexible pressure hoses with woven-in hot-cold marking L = 450 mm, G 3/8"
- brass fitting body, noise class 1
- operating lever with hot-cold marking
- 141 mm high, projection 199 mm
- rigid outlet, without waste set
- suitable for thermal disinfection to DVGW W 551
- DVGW certified
- high-quality chrome-plated
- with coloured grip element made of high-quality polyamide\*
- with coloured grip element made of high-quality matt polyamide\*\*
- grip element in HEWI colour 98 (signal white), with active antimicrobial microsilver
- powder-coated in matt black
- with coloured grip element in HEWI colour ET (signal white)\*\*\*
- with coloured grip element in HEWI colour RN (signal white matt) or CV (jet black matt)\*\*\*

- New** AQ1.12M11040
- New** AQ1B12M11040
- New** AQ1D12M11040

- New** AQ1.12M11060
- New** AQ1B12M11060



**\*Grip element in 16 HEWI colours**

98	99	97	95	92	90	86	84
18	24	36	33	74	72	55	50

65087

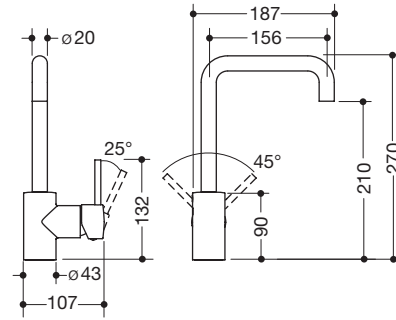
**HEWI Mini thermostat** to be ordered separately, see page 581

Item Number

Dimensions in mm / Specification



**AQ1.12M10440**

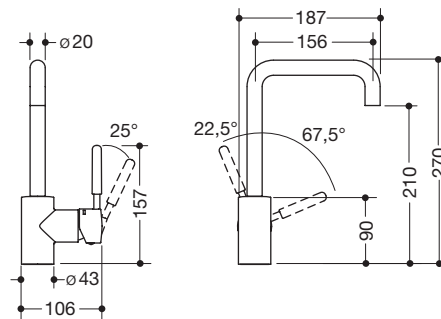


**HEWI Single lever washbasin mixer tap AQ 477/801**

- high-quality chrome-plated, round tube
- flow rate 5 l/min
- Kerox K-35B ceramic cartridge, pressure resistant up to 35 bar
- laminar jet controller with dynamic flow control 5 l/min, with anti-theft protection
- connection via flexible pressure hoses with woven-in hot-cold marking L = 450 mm, G 3/8"
- brass fitting body
- operating lever with hot-cold marking
- 270 mm high, projection 187 mm
- swivel spout, can optionally be locked in position
- without waste set
- suitable for thermal disinfection to DVGW W 551
- DVGW certified



**AQ1.12M10640**  
 ⊕ **AQ1D12M10640**



**HEWI Single lever washbasin mixer tap AQ 477/801**

- high-quality chrome-plated, round tube
- flow rate 5 l/min, noise class 1
- Kerox K-35B ceramic cartridge, pressure resistant up to 35 bar
- laminar jet controller with dynamic flow control 5 l/min, with anti-theft protection
- connection via flexible pressure hoses with woven-in hot-cold marking 450 mm long, G 3/8"
- brass fitting body
- operating lever with hot-cold marking
- 270 mm high, projection 187 mm
- swivel spout, can optionally be locked in position
- without waste set
- suitable for thermal disinfection to DVGW W 551
- DVGW certified



- with coloured gripping element made of high-quality polyamide
- with coloured gripping element made of high-quality polyamide in HEWI colour 98 (signal white), with active antimicrobial microsilver

65087

**HEWI Mini thermostat** to be ordered separately, see right

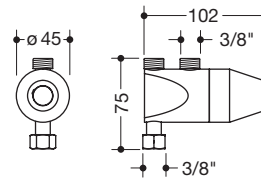


Item Number

Dimensions in mm / Specification



**65087**



**HEWI Mini thermostat**

- for limiting and monitoring the maximum discharge temperature, for mechanical or electronic washbasin fittings
- anti-scald protection is ensured using an expandable material thermostatic cartridge to EN 1111
- noise class 1
- one inlet 3/8" union nut (UN), two outputs 3/8" connecting thread (CT), one connection hose for cold water and one Y-piece included in delivery

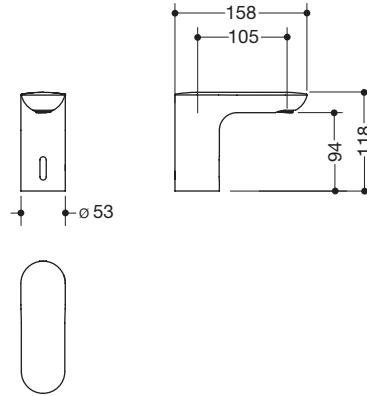
Fittings

\*Grip element in 16 HEWI colours

☐	☐	☐	☐	☐	☐	☐	☐
98	99	97	95	92	90	86	84
☐	☐	☐	☐	☐	☐	☐	☐
18	24	36	33	74	72	55	50

Item Number

Dimensions in mm / Specification

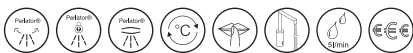


**HEWI SENSORIC Electronic washbasin fitting AQ 800**

- round, flow rate 5 l/min
- for cold and mixed water
- cold water: 3/8" T-distributor necessary, see accessories item no. 65755
- can be used with backflow preventer with dirt filter, see accessories item no. 70247
- laminar jet controller with dynamic flow control 5 l/min, angle adjustable and anti-theft protection
- adjustable, active, nuisance tripping-resistant infrared sensors
- electronic module with adjustable sensing range, hygiene flushing, continuous flushing and cleaning mode
- sensor parameters preset in the factory: after-run time: approx. 1-2 s, continuous running: 4 min, sensing range: 200 mm, cleaning mode: 60 s, hygiene flushing is deactivated
- asymmetrical sensing range, stable object detection
- settings and service also possible by means of app via smartphone, see accessories item no. 65713
- app is available free of charge in the App Store and Google Play Store for iOS and Android: "HEWI SENSORIC AQ"
- safety shutdown in the event of failure of the operating voltage, user-defined settings are retained
- without temperature adjustment lever: highly hygienic, vandal and misuse resistant
- the preset temperature lies within the comfort zone from 30 °C to 36 °C
- temperature settings and adjustment can be easily made during installation due to side access
- connection via flexible pressure hoses with woven-in hot-cold marking 450 mm long, G 3/8"
- integrated dirt trap screens
- brass fitting body
- 118 mm high, projection: 158 mm
- rigid outlet, not including waste set
- noise class 1
- suitable for thermal disinfection according to DVGW W 551
- conforms EN 15091

- high-quality chrome-plated
- mains operation 230 V
- battery operation, use of a commercially available long-life Lithium battery (Typ CR-P2, included in delivery)
- powder-coated in HEWI colour DC (matt black)
- mains operation 230 V
- battery operation, use of a commercially available long-life Lithium battery (Typ CR-P2, included in delivery)

**HEWI SENSORIC**



**AQ1.12S20040**  
**AQ1.12S20140**

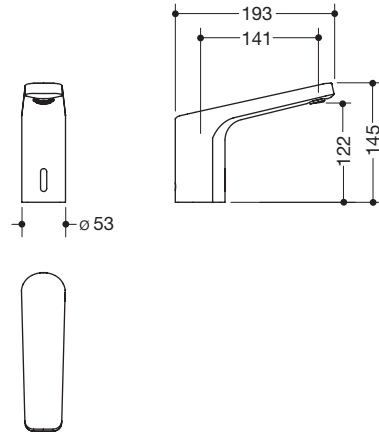
**AQ1.12S20060**  
**AQ1.12S20160**

65087  
65713  
65755  
70247

**HEWI Mini thermostat** to be ordered separately, see page 581  
**HEWI Bluetooth adapter** to be ordered separately  
**HEWI Tee fitting for cold water connection** to be ordered separately  
**HEWI Backflow preventer with dirt filter** to be ordered separately

Item Number

Dimensions in mm / Specification



**HEWI SENSORIC Electronic washbasin fitting AQ 950**

- cubic
- flow rate 5 l/min
- for cold and mixed water
- cold water: 3/8" T-distributor necessary, see accessories item no. 65755
- can be used with backflow preventer with dirt filter, see accessories item no. 70247
- laminar jet controller with dynamic flow control 5 l/min, angle adjustable and anti-theft protection
- adjustable, active, nuisance tripping-resistant infrared sensors
- electronic module with adjustable sensing range, hygiene flushing, continuous flushing and cleaning mode
- sensor parameters preset in the factory: after-run time: approx. 1-2 s, continuous running: 4 min, sensing range: 200 mm, cleaning mode: 60 s, hygiene flushing is deactivated
- asymmetrical sensing range, stable object detection
- settings and service also possible by means of app via smartphone, see accessories item no. 65713
- app is available free of charge in the App Store and Google Play Store for iOS and Android: "HEWI SENSORIC AQ"
- safety shutdown in the event of failure of the operating voltage, user-defined settings are retained
- without temperature adjustment lever: highly hygienic, vandal and misuse resistant
- the preset temperature lies within the comfort zone from 30 °C to 36 °C
- temperature settings and adjustment can be easily made during installation due to side access
- connection via flexible pressure hoses with woven-in hot-cold marking 450 mm long, G 3/8"
- integrated dirt trap screens
- brass fitting body
- 145 mm high, projection: 193 mm
- rigid outlet, not including waste set
- noise class 1
- suitable for thermal disinfection according to DVGW W 551
- conforms EN 15091

**AQ1.12S21040**  
**AQ1.12S21140**

**AQ1.12S21060**  
**AQ1.12S21160**

**AQ1.12S210XA**  
**AQ1.12S211XA**

- high-quality chrome-plated
- mains operation 230 V
- battery operation, use of a commercially available long-life Lithium battery (Typ CR-P2, included in delivery)
- powder-coated in HEWI colour DC (matt black)
- mains operation 230 V
- battery operation, use of a commercially available long-life Lithium battery (Typ CR-P2, included in delivery)
- PVD coated stainless steel look
- mains operation 230 V
- battery operation, use of a commercially available long-life Lithium battery (Typ CR-P2, included in delivery)

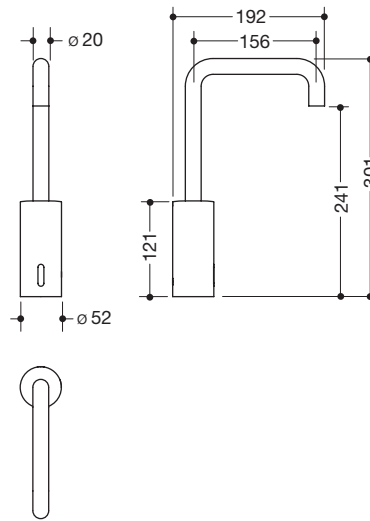
**HEWI SENSORIC**



**65087**  
**65713**  
**65755**  
**70247**

**HEWI Mini thermostat** to be ordered separately, see page 581  
**HEWI Bluetooth adapter** to be ordered separately  
**HEWI Tee fitting for cold water connection** to be ordered separately  
**HEWI Backflow preventer with dirt filter** to be ordered separately

Fittings



**HEWI SENSORIC Electronic washbasin fitting AQ 477/801**

- high-quality chrome-plated, round tube
- flow rate 5 l/min
- for cold and mixed water
- cold water: 3/8" T-distributor necessary, see accessories item no. 65755
- can be used with backflow preventer with dirt filter, see accessories item no. 70247
- laminar jet controller with dynamic flow control 5 l/min, anti-theft protection
- adjustable, active, nuisance tripping-resistant infrared sensors
- electronic module with adjustable sensing range, hygiene flushing, continuous flushing and cleaning mode
- sensor parameters preset in the factory: after-run time: approx. 1-2 s, continuous running: max. 4 min, sensing range: 200 mm, cleaning mode: 60 s, hygiene flushing is deactivated
- asymmetrical sensing range, stable object detection
- settings and service also possible by means of app via smartphone, see accessories item no. 65713
- app is available free of charge in the App Store and Google Play Store for iOS and Android: "HEWI SENSORIC AQ"
- safety shutdown in the event of failure of the operating voltage, user-defined settings are retained
- without temperature adjustment lever: hygienic, vandal and misuse resistant
- the preset temperature lies within the comfort zone from 30 °C to 36 °C
- temperature settings and adjustment can be easily made during installation due to side access
- connection via flexible pressure hoses with woven-in hot-cold marking 450 mm long, G 3/8"
- integrated dirt trap screens
- brass fitting body
- 301 mm high, projection 192 mm
- rigid outlet, without waste set
- suitable for thermal disinfection at 70 °C according to DVGW W 551
- noise class 1
- conforms EN 15091
- mains operation 230 V
- battery operation, use of a commercially available long-life Lithium battery (Typ CR-P2, included in delivery)

**HEWI SENSORIC** 



**AQ1.12S22040**  
**AQ1.12S22140**

**65087**  
**65713**  
**65755**  
**70247**

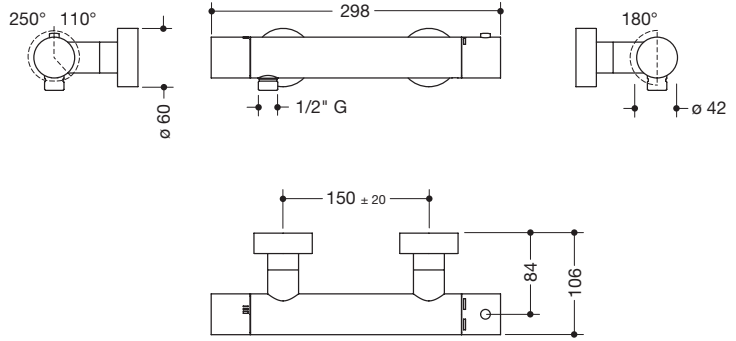
**HEWI Mini thermostat** to be ordered separately, see page 581  
**HEWI Bluetooth adapter** to be ordered separately  
**HEWI Tee fitting for cold water connection** to be ordered separately  
**HEWI Backflow preventer with dirt filter** to be ordered separately

Item Number

Dimensions in mm / Specification



**AQ1.32T10040**

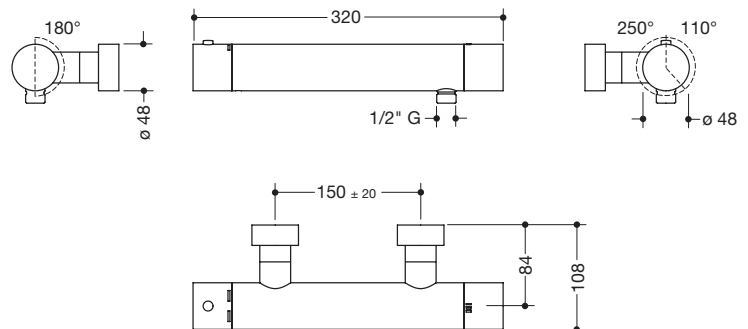


**HEWI Shower thermostat**

- high-quality chrome-plated, round
- fitting body, control and roses: brass
- flow rate 12 l/min
- anti-scalding protection: safety cutout at 38 °C
- check valve in the wall connections
- dynamic flow controller 12 l/min in the shower outlet
- integrated dirt trap screens
- standard shower outflow G 1/2 " for standard shower hoses
- hot-cold marking
- connection type: S-connections with integrated silencers, push-on roses
- 60 mm high, 298 mm, projection 106 mm
- actual dimension: 150 mm +/- 20 mm
- noise class 1
- suitable for thermal disinfection according to DVGW W 551



**AQ1.32T50040**  
**AQ1.32T50060**



**HEWI SAFE TOUCH Shower thermostat**

- round, flow rate 12 l/min
- fitting body, control and roses: brass
- HEWI SAFE TOUCH safety housing: the entire fitting body does not get hot 12 l/min
- anti-scalding protection: safety cutout at 38 °C
- check valve in the wall connections
- dynamic flow controller 12 l/min in the shower outlet
- integrated dirt trap screens
- standard shower outflow G 1/2" for standard shower hoses
- hot-cold marking
- connection type: S-connections with integrated silencers, push-on roses
- 48 mm high, 320 mm, projection 108 mm
- actual dimension: 150 mm +/- 20 mm
- noise class 1
- suitable for thermal disinfection according to DVGW W 551



- high-quality chrome-plated
- powder-coated in HEWI colour DC (matt black)

65754  
950.33.E03...  
950.33.E05...

**HEWI Shower hose drain valve** to be ordered separately  
**HEWI Hand shower** to be ordered separately, see page 702  
**HEWI Shower hose** to be ordered separately, see page 703



**COMFORT**

The freely rotating outlet provides more flexibility in use



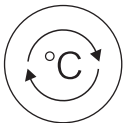
**HYGIENE**

Adjustable water jet enables optimum matching to the washbasin shape. Rubberised version is particularly easy to clean and easy to descale



**EASY TO CLEAN**

Due to the surface-flush design of the jet regulator



**SAFETY**

Single lever washbasin mixer fitting: Individually adjustable hot water limitation  
Electronic washbasin fitting, pre-settable water temperature



**HOT WATER INHIBITOR**

Hot water inhibitor limits the water temperature to 38 °C



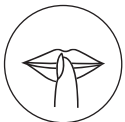
**HEWI SAFE TOUCH**

The fitting body is always cooled internally so that it has a pleasant surface temperature



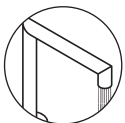
**ANTI-THEFT PROTECTION**

Anti-theft protected jet regulator (ideal for public sanitary rooms)



**TECHNOLOGY**

Particularly quiet fitting (noise class 1 according to DVGW)



**AUTOMATIC HYGIENE PURGE**

Automatic hygiene purge prevents germs from being able to colonise inside the HEWI *SENSORIC* fittings



**ECOLOGY**

Limitation of the throughflow rate (5 l/minute) reduces water consumption while maintaining full comfort



**CAREFUL USE OF RESOURCES**

Pre-settable use temperature (electronic washbasin fittings), hot water limitation (single lever washbasin mixer fitting) and limitation of the throughflow rate (5 l/minute) reduces energy and water consumption



## Washbasins



### PRODUCT CHARACTERISTICS

- Especially easy-care material
- Flat design allows comfortable use in standing or sitting position
- Washbasin and fitting in an attractive set

### RECOMMENDED APPLICATION AREAS

Home, Hotel, Public, Professional Care, Education





# Washbasins

## DESIGN

Phoenix Design, Stuttgart/Munich/Shanghai  
NOA Produktdesign, Aachen  
HEWI, Bad Arolsen

## MATERIAL AND SURFACES

Washbasins: high-quality mineral composite with non-porous surface in alpine white.

## WASHBASINS

Product range	590 – 591
Washbasins	592 – 602
Product sets washbasin   fitting	592 – 601
Washbasins, variable length	603 – 609

## MODULAR WASHBASIN SYSTEM

Modular washbasin packages	610 – 611
Washbasin profile sets	618 – 619
Individual components	620
Washbasin sets	621 – 633
Wall profiles, accessories	634 – 639



## WASHBASINS AND PRODUCT SETS WITH FITTING

Fittings see register Fittings



**Washbasin | with overflow set with fitting**

950.11.1... | 600 x 550 mm p. 592  
 950.19... | 600 x 550 mm p. 592

Mineral composite



**Dementia-washbasin | with fitting**

950.11.106 | 600 x 550 mm p. 593  
 950.19.025 | 600 x 550 mm p. 593

Mineral composite

■ Marker of the functional element



**Washbasin | set with fitting**

950.11.5... | 450 x 400 mm p. 593  
 950.19.023 | 450 x 400 mm p. 593

Mineral composite



**Washbasin | set with fitting**

950.11.15... | 650 x 550 mm p. 596  
 950.19... | 650 x 550 mm p. 594

Mineral composite



**Washbasin | with overflow Set with fitting**

950.11.16... | 650 x 550 mm p. 594  
 950.19... | 650 x 550 mm p. 594

Mineral composite



**Washbasin | set with fitting**

950.11.25... | 850 x 400 mm p. 595  
 950.19... | 850 x 400 mm p. 595

Mineral composite



**Washbasin | set with fitting**

950.11.26... | 850 x 400 mm p. 595  
 950.19... | 850 x 400 mm p. 595

Mineral composite



**Washbasin with gripping edge**

950.13.10... | 650 x 565 mm p. 596

Mineral composite



**Washbasin with overflow**

950.11.14... | 650 x 550 mm p. 597

Mineral composite



**Washbasin with overflow**

950.11.24... | 850 x 550 mm p. 597

Mineral composite



**Washbasin | with overflow set with fitting**

M40.11.50.. | 650 x 550 mm p. 601  
 950.19... | 650 x 550 mm p. 601

Mineral composite



**Washbasin | with overflow set with fitting**

950.11.2... | 850 x 415 mm p. 598  
 950.19... | 850 x 415 mm p. 598

Mineral composite



**Washbasin | with overflow set with fitting**

950.11.60... | 850 x 550 mm p. 599  
 950.19... | 850 x 550 mm p. 599

Mineral composite



**Washbasin | set with fitting**

950.11.40... | 1000 x 550 mm p. 600  
 950.19... | 1000 x 550 mm p. 600

Mineral composite



**Washbasin**

950.11.30... | 600 x 500 mm p. 602

Mineral composite

SURFACES

- ...60 DX powder-coated matt white (RAL 9003)
- ...60 SC powder-coated matt dark grey pearl mica
- ...60 DC powder-coated matt black (RAL 9005)



**Washbasin, variable length | with overflow**

950.11.60...S | 850-2800 x 550mm p. 604  
950.11.62...S p. 605

Mineral composite



**Washbasin, variable length**

950.11.20...S | 850-2800 x 415mm p. 606  
950.11.22...S p. 607

Mineral composite



**Washbasin, modular**

950.13.2... | 650 x 550mm p. 612

Mineral composite



**Washbasin, modular**

950.13.30... | 850 x 550mm p. 614

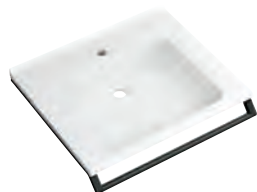
Mineral composite



**Washbasin, modular, variable length**

950.13.20...S | 850-2600 x 550mm p. 616

Mineral composite



**Modular washbasin system | sets and accessories**

950.19... pages 610-639

Mineral composite



**MORE WASHBASINS**

see register Kids



**Washbasin**

950.12.101.. | 510 x 350mm p. 550

Mineral composite  
□ ■ ■ Outside



**Double washbasin**

950.12.205.. | 900 x 350mm p. 551

Mineral composite  
□ ■ ■ Outside



**Washbasin with height graduation**

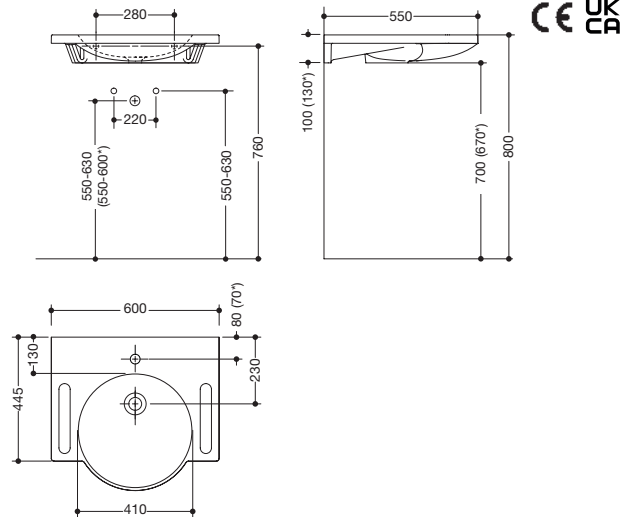
950.12.3... pages 552, 553

Mineral composite  
Transparent baffle in blue  
Opaque baffle in green

# Washbasins | with gripping feature

Item Number

Dimensions in mm / Specification



### HEWI Washbasin

- with shelf and round basin
- alpine white, made of mineral composite with non-porous surface
- integrated gripping feature, can be used as a towel holder
- wheelchair accessible to DIN 18040 and ÖNORM B 1600/1601
- loading capacity to EN 14688, for hanger bolt fixing
- 600 mm wide, 550 mm deep, wash trough depth 80 mm
- without overflow
- prepared for single hole mixer tap
- without tap hole (for wall-mounted fittings)
- without overflow, without integrated gripping feature
- prepared for single hole mixer tap
- without tap hole (for wall-mounted fittings)
- with overflow, incl. rose and cover, wash trough depth 110 mm
- prepared for single hole mixer tap
- without tap hole (for wall-mounted fittings)

950.11.101  
950.11.100

950.11.121  
950.11.120

**New**  
**New** 950.11.103\*  
950.11.102\*

Mineral composite



950.19.001

### HEWI Product set washbasin and fitting

- washbasin 950.11.101 (see above)
- single lever washbasin mixer tap AQ1.12M10240 (see page 578)
- please advise colour when ordering (grip)



950.19.002

### HEWI Product set washbasin and fitting

- washbasin 950.11.101 (see above)
- single lever washbasin mixer tap AQ1.12M10140 (see page 577)



950.19.006

### HEWI Product set washbasin and fitting

- washbasin 950.11.101 (see above)
- electronic washbasin fitting AQ1.12S20040 (see page 582)



950.19.064

### HEWI Product set washbasin and fitting

- washbasin 950.11.101 (see above)
- single lever washbasin mixer tap AQ1.12M10340 (see page 576)

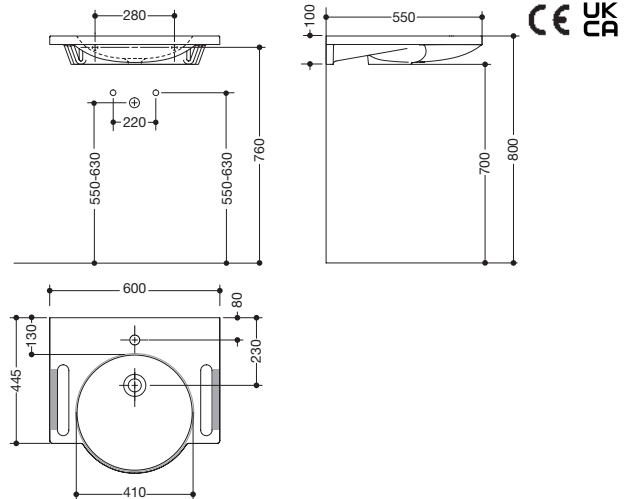
Item Number

Dimensions in mm / Specification



950.11.106

Mineral composite



**Dementia-washbasin**

- with shelf and round basin, without overflow
- alpine white, made of mineral composite with non-porous surface
- integrated gripping feature on the side, can be used as a towel holder
- for supporting people with dementia and impaired vision
- with permanent red mark of the basin trough and the gripping feature in HEWI colour 33 (ruby red)
- wheelchair accessible to DIN 18040 and ÖNORM B 1600/1601
- for hanger bolt fixing, loading capacity to EN 14688
- prepared for single hole mixer tap, 600 mm wide, 550 mm deep, wash trough depth 80 mm



950.19.025

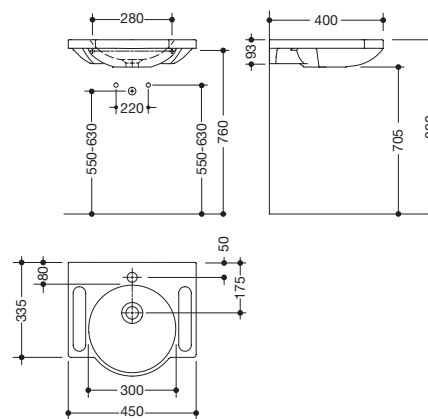
**HEWI Product set washbasin and fitting**

- washbasin 950.11.106 (see above)
- single lever washbasin mixer tap AQ1.12M10240 in HEWI colour 33 (ruby red) (see page 578)



950.11.501  
950.11.500

Mineral composite



**HEWI Washbasin**

- with shelf and round basin, without overflow, wheelchair accessible
- alpine white, made of mineral composite with non-porous surface
- integrated gripping feature, can be used as a towel holder
- for hanger bolt fixing, loading capacity to EN 14688
- 450 mm wide, 400 mm deep, wash trough depth 70 mm
- prepared for single hole mixer tap
- without tap hole (for wall-mounted fittings)

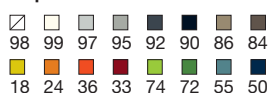


950.19.023

**HEWI Product set washbasin and fitting**

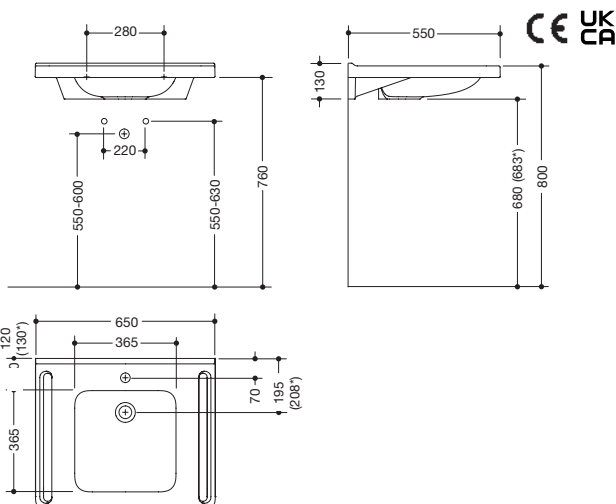
- washbasin 950.11.501 (see above)
- single lever washbasin mixer tap AQ1.12M10340 (see page 576)

**Grip in 16 HEWI colours**



Item Number

Dimensions in mm / Specification



**950.11.161**  
**950.11.160**

Mineral composite

**New** 950.11.163\*  
**New** 950.11.162\*

### HEWI Washbasin

- with shelf and deep rectangular basin with generous radii
- with gushing edge to wall
- alpine white, made of mineral composite with non-porous surface
- integrated ergonomic gripping feature, can be used as a towel holder
- wheelchair accessible to DIN 18040 and ÖNORM B 1600/1601
- for hanger bolt fixing, loading capacity to EN 14688
- 650 mm wide, 550 mm deep, wash trough depth 100 mm
- without overflow
- prepared for single hole mixer tap
- without tap hole (for wall-mounted fittings)
- with overflow, incl. rose and cover
- prepared for single hole mixer tap
- without tap hole (for wall-mounted fittings)



**950.19.046**

### HEWI Product set washbasin and fitting

- washbasin 950.11.161 (see above)
- single lever washbasin mixer tap AQ1.12M10340 (see page 576)



**950.19.050**

### HEWI Product set washbasin and fitting

- washbasin 950.11.161 (see above)
- electronic washbasin fitting AQ1.12S21040 (see page 583)



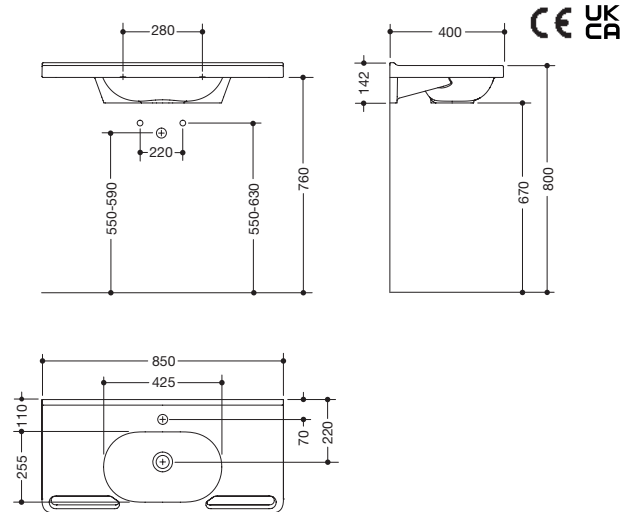
**950.19.068**

### HEWI Product set washbasin and fitting

- washbasin 950.11.161 (see above)
- single lever washbasin mixer tap AQ1.12M10240 (see page 578)
- please advise colour when ordering (grip)

Item Number

Dimensions in mm / Specification

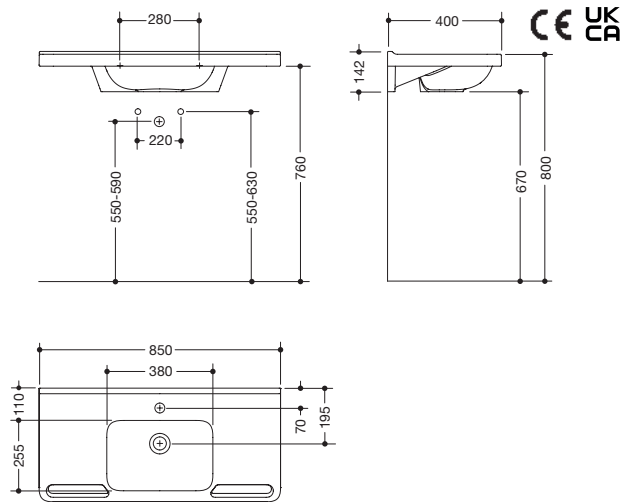


**HEWI Washbasin**

- with generously sized shelf and deep oval basin
  - alpine white, made of mineral composite with non-porous surface
  - with gushing edge to wall
  - integrated ergonomic gripping feature, can be used as a towel holder
  - without overflow, wheelchair accessible
  - meets the requirements of SIA for hand-rinse basins
  - loading capacity to EN 14688
  - 850 mm wide, 400 mm deep, wash trough depth 110 mm
  - for hanger bolt fixing
- prepared for single hole mixer tap
  - without tap hole (for wall-mounted fittings)

Mineral composite

**950.11.251**  
**950.11.250**



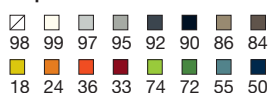
**HEWI Washbasin**

- with shelf and deep rectangular basin with generous radii
  - alpine white, made of mineral composite with non-porous surface
  - with gushing edge to wall
  - integrated ergonomic gripping feature, can be used as a towel holder
  - without overflow, wheelchair accessible
  - meets the requirements of SIA for hand-rinse basins
  - loading capacity to EN 14688
  - 850 mm wide, 400 mm deep, wash trough depth 110 mm
  - for hanger bolt fixing
- prepared for single hole mixer tap
  - without tap hole (for wall-mounted fittings)

Mineral composite

**950.11.261**  
**950.11.260**

**Grip in 16 HEWI colours**

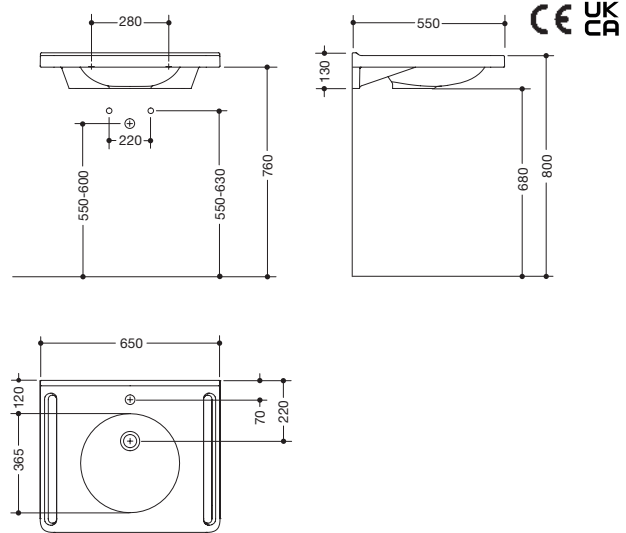


Washbasins

# Washbasins | with gushing edge

Item Number

Dimensions in mm / Specification



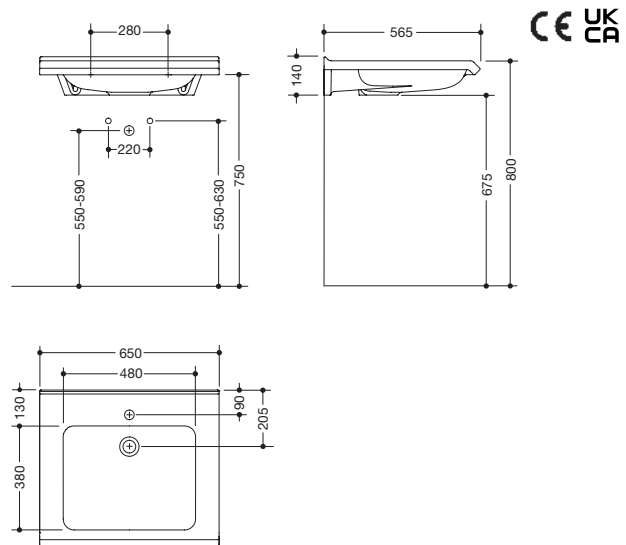
## HEWI Washbasin

- with shelf and deep round basin, without overflow
- with gushing edge to wall
- alpine white, made of mineral composite with non-porous surface
- integrated ergonomic gripping feature, can be used as a towel holder
- wheelchair accessible to DIN 18040 and ÖNORM B 1600/1601
- loading capacity to EN 14688
- 650 mm wide, 550 mm deep, wash trough depth 100 mm
- for hanger bolt fixing

- prepared for single hole mixer tap
- without tap hole (for wall-mounted fittings)

Mineral composite

**950.11.151**  
**950.11.150**



## HEWI Washbasin

- with shelf and deep rectangular basin with generous radii
- without overflow
- with gushing edge to wall, with verdeckter gripping edge
- alpine white, made of mineral composite with non-porous surface
- wheelchair accessible to DIN 18040 and ÖNORM B 1600/1601
- loading capacity to EN 14688
- 650 mm wide, 565 mm deep, wash trough depth 100 mm
- for hanger bolt fixing

- prepared for single hole mixer tap
- without tap hole (for wall-mounted fittings)

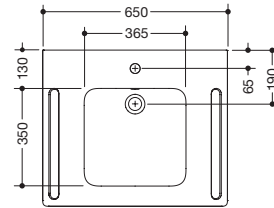
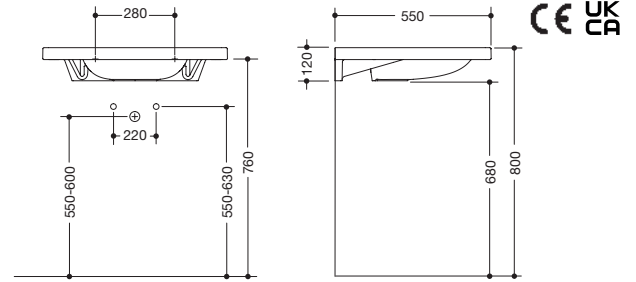
Mineral composite

**950.13.101**  
**950.13.100**



Item Number

Dimensions in mm / Specification



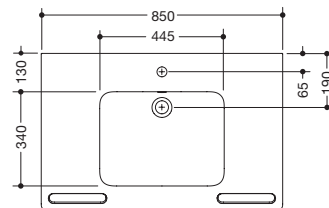
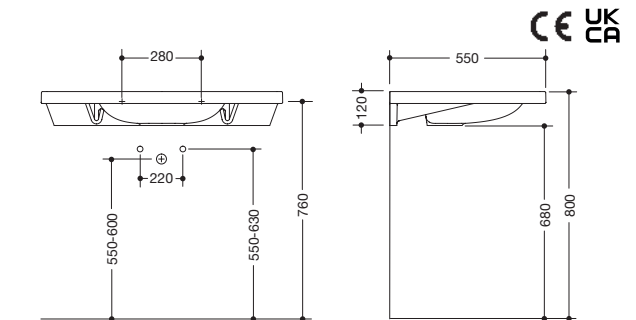
**HEWI Washbasin**

- with shelf and deep rectangular basin with generous radii
- with overflow, incl. rose and cover
- alpine white, made of mineral composite with non-porous surface
- integrated gripping feature on the sides, can be used as a towel holder
- wheelchair accessible to DIN 18040 and ÖNORM B 1600/1601
- loading capacity to EN 14688
- 650 mm wide, 550 mm deep, wash trough depth 100 mm
- for hanger bolt fixing

- prepared for single hole mixer tap
- without tap hole (for wall-mounted fittings)

Mineral composite

**950.11.141**  
**950.11.140**



**HEWI Washbasin**

- with shelf and deep rectangular basin with generous radii
- with overflow, incl. rose and cover
- alpine white, made of mineral composite with non-porous surface
- integrated gripping feature, can be used as a towel holder
- wheelchair accessible to DIN 18040 and ÖNORM B 1600/1601
- loading capacity to EN 14688
- 850 mm wide, 550 mm deep, wash trough depth 100 mm
- for hanger bolt fixing

- prepared for single hole mixer tap
- without tap hole (for wall-mounted fittings)

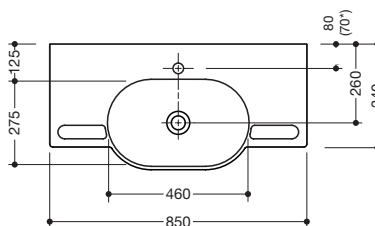
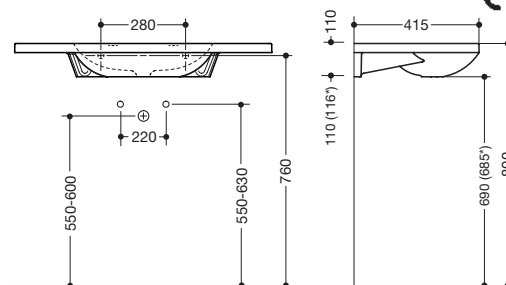
Mineral composite

**950.11.241**  
**950.11.240**

# Washbasins | with gripping feature

Item Number

Dimensions in mm / Specification



Mineral composite

**950.11.201**  
**950.11.200**

**950.11.221**  
**950.11.220**

**New 950.11.204\***  
**New 950.11.203\***

## HEWI Washbasin

- with generously sized shelf and oval basin
- alpine white, made of mineral composite with non-porous surface
- integrated gripping feature, can be used as a towel holder
- wheelchair accessible
- loading capacity to EN 14688
- 850 mm wide, 415 mm deep, wash trough depth 90 mm
- for hanger bolt fixing
- without overflow
- prepared for single hole mixer tap
- without tap hole (for wall-mounted fittings)
- without integrated gripping feature, without overflow
- prepared for single hole mixer tap
- without tap hole (for wall-mounted fittings)
- with overflow, incl. rose and cover, wash trough depth 100 mm
- overflow can be replaced and renewed if necessary
- overflow is mounted between drain and siphon under the washbasin, h=25 mm, ø=70 mm
- prepared for single hole mixer tap
- without tap hole (for wall-mounted fittings)



**950.19.008**

## HEWI Product set washbasin and fitting

- washbasin 950.11.201 (see above)
- single lever washbasin mixer tap AQ1.12M10240 (see page 578)
- please advise colour when ordering (grip)



**950.19.009**

## HEWI Product set washbasin and fitting

- washbasin 950.11.201 (see above)
- single lever washbasin mixer tap AQ1.12M10140 (see page 577)



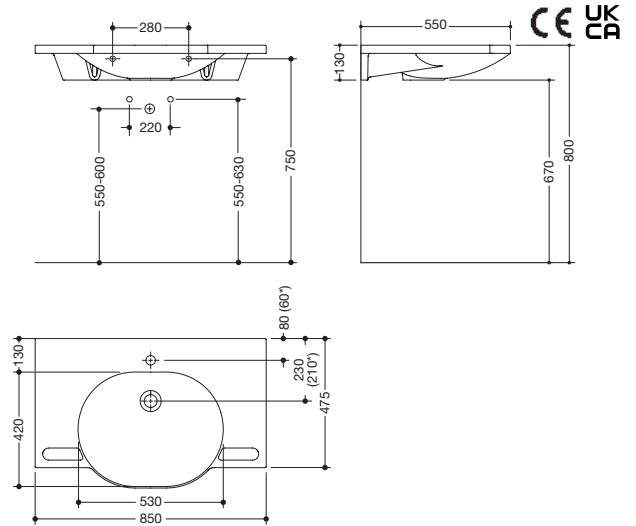
**950.19.013**

## HEWI Product set washbasin and fitting

- washbasin 950.11.201 (see above)
- electronic washbasin fitting AQ1.12S20040 (see page 582)

Item Number

Dimensions in mm / Specification



**950.11.601**  
**950.11.600**

**HEWI Washbasin**

- with shelf and oval basin
- alpine white, made of mineral composite with non-porous surface
- integrated gripping feature, can be used as a towel holder
- wheelchair accessible to DIN 18040 and ÖNORM B 1600/1601
- loading capacity to EN 14688
- 850 mm wide and 550 mm deep, wash trough depth 110 mm
- for hanger bolt fixing
- without overflow
- prepared for single hole mixer tap
- without tap hole (for wall-mounted fittings)
- with overflow, incl. rose and cover
- overflow can be replaced and renewed if necessary
- overflow is mounted between drain and siphon under the washbasin, h=25 mm, ø=70 mm
- prepared for single hole mixer tap
- without tap hole (for wall-mounted fittings)

Mineral composite

**New 950.11.604\***  
**New 950.11.603\***



**950.19.015**

**HEWI Product set washbasin and fitting**

- washbasin 950.11.601 (see above)
- single lever washbasin mixer tap AQ1.12M10240 (see page 578)
- please advise colour when ordering (grip)



**950.19.016**

**HEWI Product set washbasin and fitting**

- washbasin 950.11.601 (see above)
- single lever washbasin mixer tap AQ1.12M10140 (see page 577)



**950.19.018**

**HEWI Product set washbasin and fitting**

- washbasin 950.11.601 (see above)
- electronic washbasin fitting AQ1.12S20040 (see page 582)

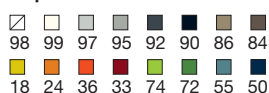


**950.19.065**

**HEWI Product set washbasin and fitting**

- washbasin 950.11.601 (see above)
- single lever washbasin mixer tap AQ1.12M10340 (see page 576)

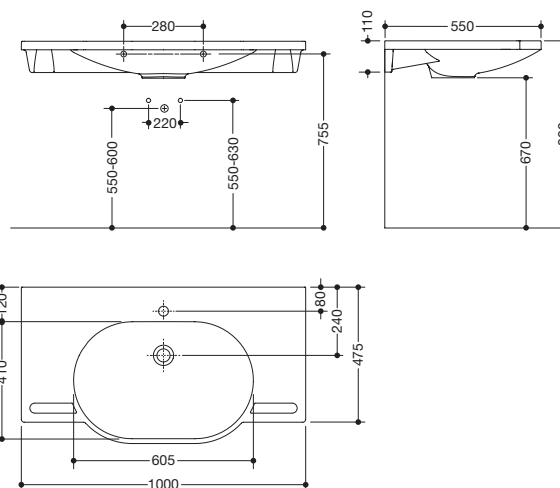
**Grip in 16 HEWI colours**



# Washbasins | with gripping feature

Item Number

Dimensions in mm / Specification



## HEWI Washbasin

- with shelf and oval basin, without overflow
- alpine white, made of mineral composite with non-porous surface
- integrated gripping feature, can be used as a towel holder
- wheelchair accessible according to ÖNORM B 1600/1601
- loading capacity to EN 14688
- 1000 mm wide, 550 mm deep, wash trough depth 110 mm
- for hanger bolt fixing

- prepared for single hole mixer tap
- without tap hole (for wall-mounted fittings)

Mineral composite

**950.11.401**  
**950.11.400**



**950.19.019**

## HEWI Product set washbasin and fitting

- washbasin 950.11.401 (see above)
- single lever washbasin mixer tap AQ1.12M10240 (see page 578)
- please advise colour when ordering (grip)



**950.19.020**

## HEWI Product set washbasin and fitting

- washbasin 950.11.401 (see above)
- single lever washbasin mixer tap AQ1.12M10140 (see page 577)



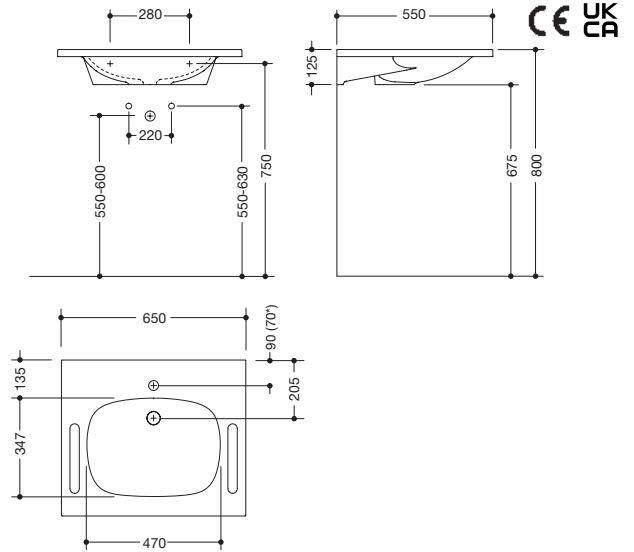
**950.19.022**

## HEWI Product set washbasin and fitting

- washbasin 950.11.401 (see above)
- electronic washbasin fitting AQ1.12S20040 (see page 582)

Item Number

Dimensions in mm / Specification



**M40.11.501**  
**M40.11.500**

Mineral composite

**New** M40.11.503\*  
**New** M40.11.502\*

**HEWI Washbasin**

- with shelf and oval basin
- alpinwhite, made of mineral composite with non-porous surface
- integrated gripping feature, can be used as a towel holder
- wheelchair accessible to DIN 18040 and ÖNORM B 1600/1601
- for hanger bolt fixing, loading capacity to EN 14688
- 650 mm wide, 550 mm deep, wash trough depth 105 mm
- without overflow
- prepared for single hole mixer tap
- without tap hole (for wall-mounted fittings)
- with overflow, incl. rose and cover
- overflow can be replaced and renewed if necessary
- overflow is mounted between drain and siphon under the washbasin, h=25 mm, ø=70 mm
- prepared for single hole mixer tap
- without tap hole (for wall-mounted fittings)



**950.19.029**

**HEWI Product set washbasin and fitting**

- washbasin M40.11.501 (see above)
- single lever washbasin mixer tap AQ1.12M10340 (see page 576)



**950.19.034**

**HEWI Product set washbasin and fitting**

- washbasin M40.11.501 (see above)
- electronic washbasin fitting AQ1.12S21040 (see page 583)



**950.19.039**

**HEWI Product set washbasin and fitting**

- washbasin M40.11.501 (see above)
- single lever washbasin mixer tap AQ1.12M10440 (see page 580)

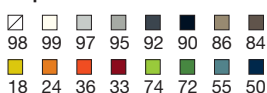


**950.19.040**

**HEWI Product set washbasin and fitting**

- washbasin M40.11.501 (see above)
- single lever washbasin mixer tap AQ1.12M10640 (see page 580)
- please advise colour when ordering (grip)

**Grip in 16 HEWI colours**



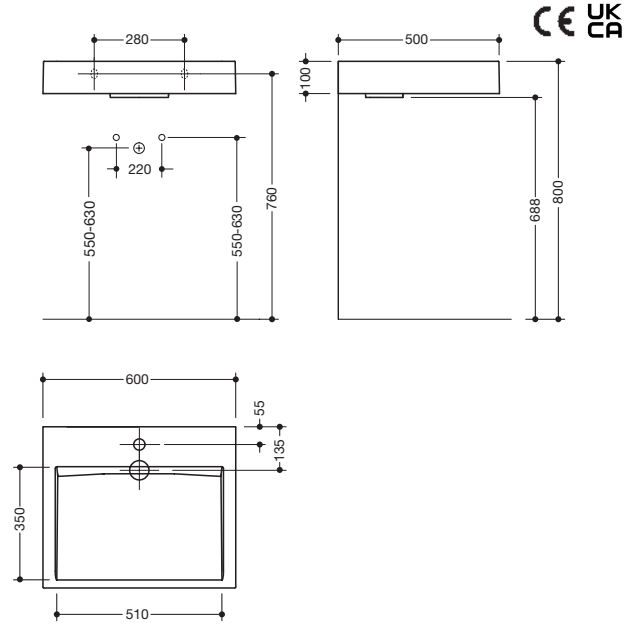
# Washbasins

Item Number

Dimensions in mm / Specification



950.11.301



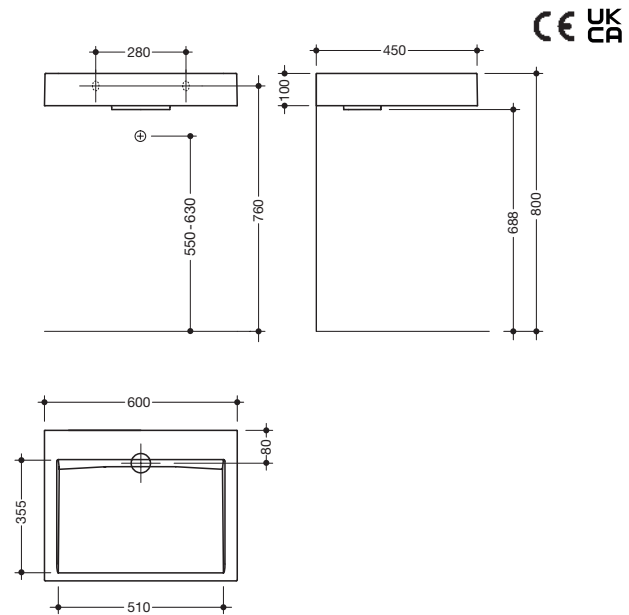
### HEWI Washbasin

- alpine white, made of mineral composite with non-porous surface
- rectangular basic shape
- without overflow, wheelchair accessible
- prepared for single hole mixer tap
- loading capacity to EN 14688
- 600 mm wide, 100 mm high, 500 mm deep, wash trough depth 60 mm
- for hanger bolt fixing

Mineral composite



950.11.300



### HEWI Washbasin

- alpine white, made of mineral composite with non-porous surface
- rectangular basic shape
- without overflow, wheelchair accessible
- without tap hole (for wall-mounted fittings)
- loading capacity to EN 14688
- 600 mm wide, 100 mm high, 450 mm deep, wash trough depth 60 mm
- for hanger bolt fixing

Mineral composite

# Washbasins, variable length

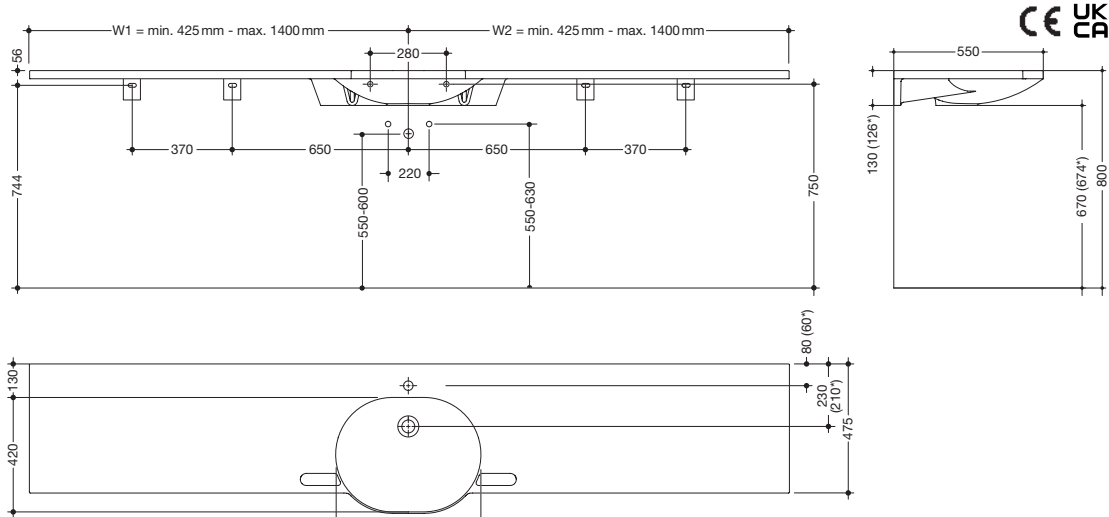


Washbasins

# Washbasins | variable length

Item Number

Dimensions in mm / Specification



**950.11.601S**  
**950.11.600S**

**New 950.11.604S**  
**New 950.11.603S**

## HEWI Washbasin, variable length

- with generously sized shelf and oval basin
- alpine white, made of mineral composite with non-porous surface
- base length: 850 mm, extendable to a total length of up to 2800 mm, 550 mm deep, wash trough depth 110 mm
- millimetre-precision production, asymmetrical extensions possible\*
- integrated gripping feature, can be used as a towel holder
- wheelchair accessible to DIN 18040 and ÖNORM B 1600/1601
- loading capacity to EN 14688
- for hanger bolt fixing
- incl. appropriate number of necessary supports:
  - from W1/W2 = 710 mm: one support
  - from W1/W2 = 1080 mm: two supports
- without overflow
- prepared for single hole mixer tap
- without tap hole (for wall-mounted fittings)
- do., with overflow, incl. rose and cover
- overflow can be replaced and renewed if necessary
- overflow is mounted between drain and siphon under the washbasin, h=25 mm, ø=70 mm
- prepared for single hole mixer tap
- without tap hole (for wall-mounted fittings)

**All HEWI variable length washbasins are individually made to the dimensions specified by the customer and therefore cannot be exchanged or returned!**

W1 in mm	W2 in mm					
	425 - 549	550 - 709	710 - 899	900 - 1079	1080 - 1149	1150 - 1400
425 - 549						
550 - 709						
710 - 899						
900 - 1079						
1080 - 1149						
1150 - 1400						

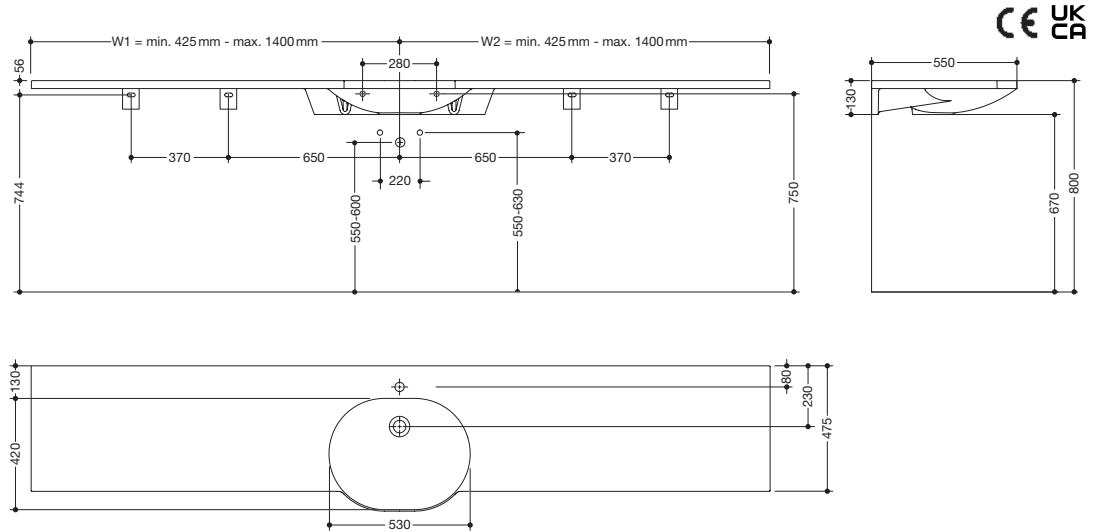
Mineral composite

\*Manufacturing tolerances of up to - 0.4% of the total basin length possible.



Item Number

Dimensions in mm / Specification



**HEWI Washbasin, variable length**

- with generously sized shelf and oval basin, without overflow
- alpine white, made of mineral composite with non-porous surface
- base length: 850 mm, extendable to a total length of up to 2800 mm, 550 mm deep, wash trough depth 110 mm
- millimetre-precision production, asymmetrical extensions possible\*
- wheelchair accessible to DIN 18040 and ÖNORM B 1600/1601
- loading capacity to EN 14688
- for hanger bolt fixing
- incl. appropriate number of necessary supports:
  - from W1/W2 = 710 mm: one support
  - from W1/W2 = 1080 mm: two supports
- prepared for single hole mixer tap
- without tap hole (for wall-mounted fittings)

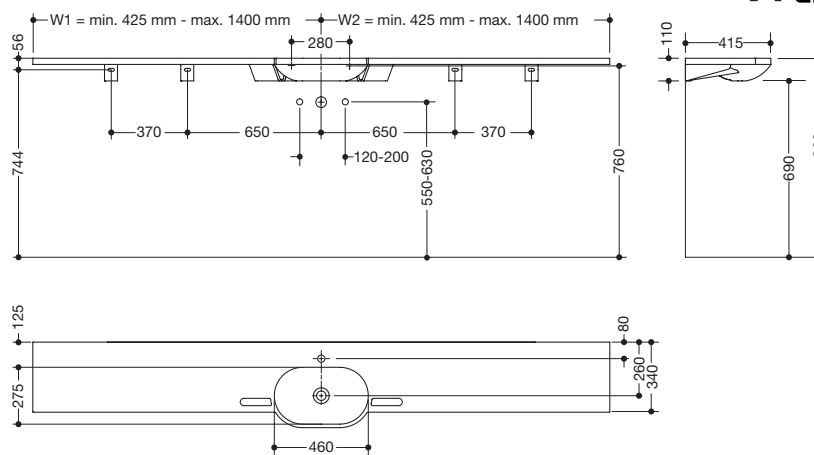
**950.11.621S**  
**950.11.620S**

**All HEWI variable length washbasins are individually made to the dimensions specified by the customer and therefore cannot be exchanged or returned!**

W1 in mm	W2 in mm					
	425 - 549	550 - 709	710 - 899	900 - 1079	1080 - 1149	1150 - 1400
425 - 549						
550 - 709						
710 - 899						
900 - 1079						
1080 - 1149						
1150 - 1400						

Mineral composite

\*Manufacturing tolerances of up to - 0.4% of the total basin length possible.



**HEWI Washbasin, variable length**

- with generously sized shelf and oval basin, without overflow
- alpine white, made of mineral composite with non-porous surface
- base length: 850 mm, extendable to a total length of up to 2800 mm, 415 mm deep, wash trough depth 90 mm
- millimetre-precision production, asymmetrical extensions possible\*
- integrated gripping feature, can be used as a towel holder
- wheelchair accessible
- loading capacity to EN 14688
- for hanger bolt fixing
- incl. appropriate number of necessary supports:
  - from W1/W2 = 710 mm: one support
  - from W1/W2 = 1080 mm: two supports
- prepared for single hole mixer tap
- without tap hole (for wall-mounted fittings)

**950.11.201S**  
**950.11.200S**

**All HEWI variable length washbasins are individually made to the dimensions specified by the customer and therefore cannot be exchanged or returned!**

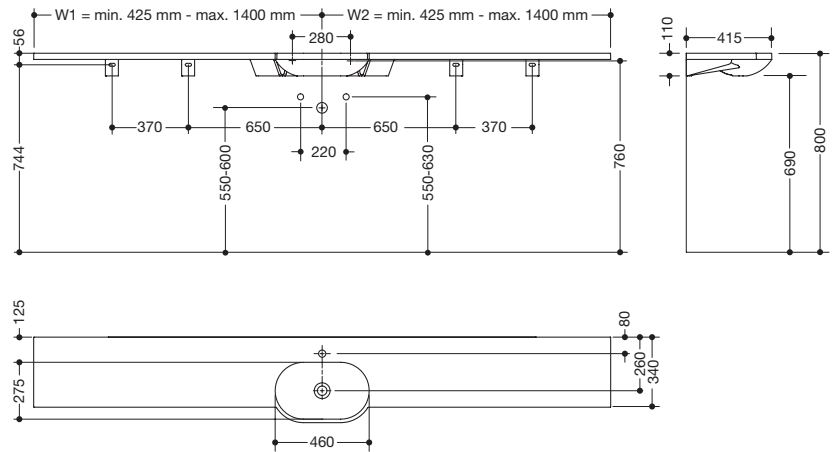
W1 in mm	W2 in mm					
	425 - 549	550 - 709	710 - 899	900 - 1079	1080 - 1149	1150 - 1400
425 - 549						
550 - 709						
710 - 899						
900 - 1079						
1080 - 1149						
1150 - 1400						

Mineral composite

\*Manufacturing tolerances of up to - 0.4% of the total basin length possible.

Item Number

Dimensions in mm / Specification



**HEWI Washbasin, variable length**

- with generously sized shelf and oval basin, without overflow
- alpine white, made of mineral composite with non-porous surface
- base length: 850 mm, extendable to a total length of up to 2800 mm, 415 mm deep, wash trough depth 90 mm
- millimetre-precision production, asymmetrical extensions possible\*
- wheelchair accessible
- loading capacity to EN 14688
- for hanger bolt fixing
- incl. appropriate number of necessary supports:
  - from W1/W2 = 710 mm: one support
  - from W1/W2 = 1080 mm: two supports
- prepared for single hole mixer tap
- without tap hole (for wall-mounted fittings)

**950.11.221S**  
**950.11.220S**

**All HEWI variable length washbasins are individually made to the dimensions specified by the customer and therefore cannot be exchanged or returned!**

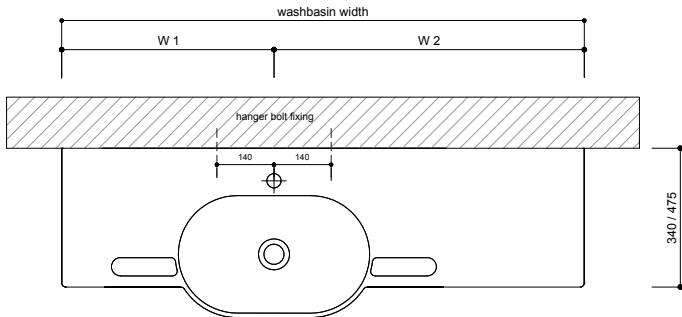
W1 in mm	W2 in mm					
	425 - 549	550 - 709	710 - 899	900 - 1079	1080 - 1149	1150 - 1400
425 - 549						
550 - 709						
710 - 899						
900 - 1079						
1080 - 1149						
1150 - 1400						

Mineral composite

\*Manufacturing tolerances of up to - 0.4% of the total basin length possible.

POSSIBLE INSTALLATION SITUATIONS | ORDERING INSTRUCTIONS

Freely on the wall

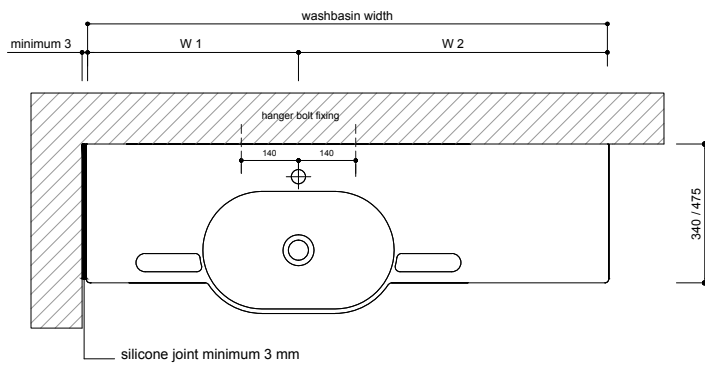


1. Measure the precise dimensions of the wall at the installation height of the washbasin after the wall surface has been finished.
2. Check the wall for unevenness.
3. Define the side washbasin projections W1 and W2

**Attention:**

minimum dimension W1/W2 = 425 mm,  
maximum dimension W1/W2 = 1400 mm.

One-sided on the wall

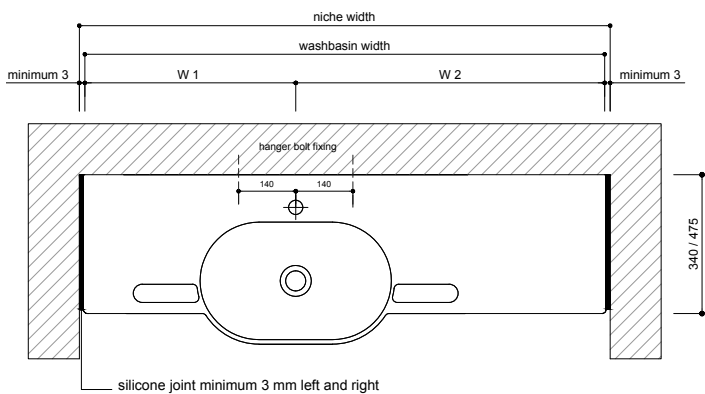


1. Measure the precise dimensions of the wall at the installation height of the washbasin after the wall surface has been finished.
2. Check the wall for unevenness.
3. Check whether the solid angle is 90°.
4. Define the side washbasin projections W1 and W2

**Attention:**

minimum dimension W1/W2 = 425 mm,  
maximum dimension W1/W2 = 1400 mm.  
Please note that a silicone joint at the side of at least 3 mm will be required.

Niche

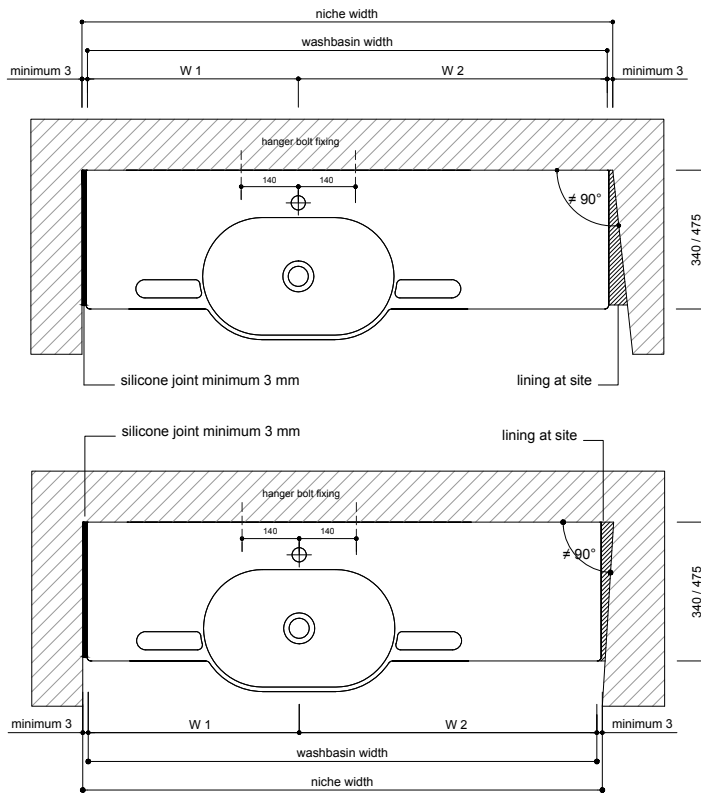


1. Measure the precise dimensions of the niche at the installation height of the washbasin after the wall surface has been finished.
2. Check the wall for unevenness.
3. Check whether the niche angles are each 90°.
4. Define the side washbasin projections W1 and W2

**Attention:**

minimum dimension W1/W2 = 425 mm,  
maximum dimension W1/W2 = 1400 mm.  
Please note that a silicone joint of at least 3 mm will be required on each side.

Niche, not right-angled



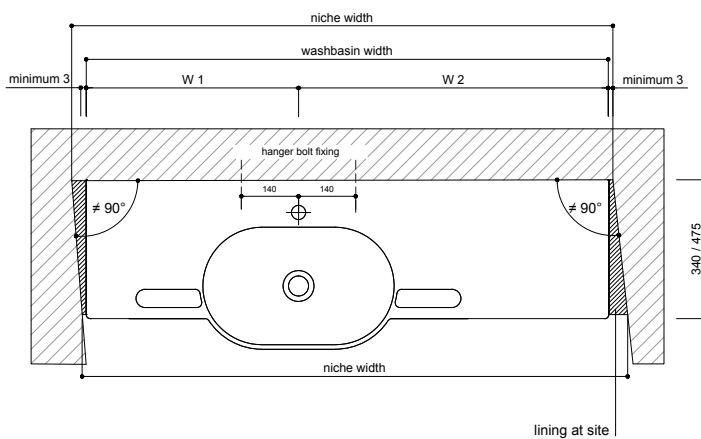
1. Measure the precise dimensions of the wall at the installation height of the washbasin after the wall surface has been finished.
2. Check the wall for unevenness.
3. If the niche angle is not 90°, line on site to form 90°.
4. Define the side washbasin projections W1 and W2

**Attention:**

minimum dimension W1/W2 = 425 mm,  
maximum dimension W1/W2 = 1400 mm.

Please note that a silicone joint of at least 3 mm will be required on each side.

Niche, not right-angled



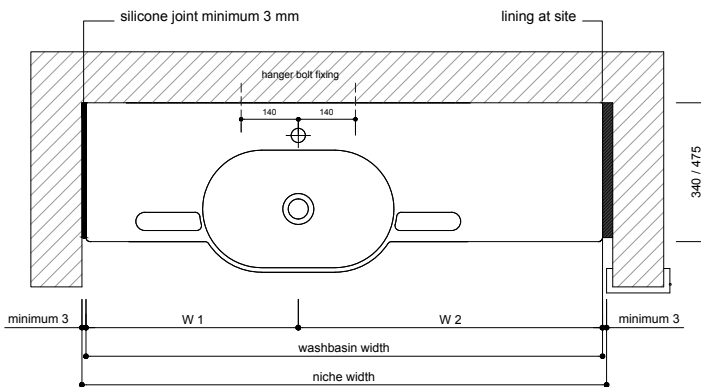
1. Measure the precise dimensions of the wall at the installation height of the washbasin and the installation depth (340 mm) after the wall surface has been finished.
2. Check the wall for unevenness.
3. If the niche angle is not 90°, line on site to form 90°.
4. Define the side washbasin projections W1 and W2

**Attention:**

minimum dimension W1/W2 = 425 mm,  
maximum dimension W1/W2 = 1400 mm.

Please note that a silicone joint of at least 3 mm will be required on each side.

Niche | Door lining



1. Measure the precise dimensions of the wall at the installation height of the washbasin after the wall surface has been finished.
2. Check the wall for unevenness.
3. Check whether the niche angles are each 90°.

If door lining cannot be removed for installation of the washbasin

4. Determine the niche width (taking into account doorframe)
5. Define the side washbasin projections W1 and W2

**Attention:**

minimum dimension W1/W2 = 425 mm,  
maximum dimension W1/W2 = 1400 mm.

Please note that a silicone joint of at least 3 mm will be required on each side.



# Modular washbasin system

## Independence and comfort

With the new washbasin concept, HEWI is continuing the success story of its innovative washbasins.

### Modular washbasin system

The innovative concept allows the integration of an adaptive support rail and a modular storage system directly on the washbasin. It is available with four attractive stainless steel surfaces with powder coating. The material creates a noble appearance on the washbasin, which has an extremely resistant surface and offers a high degree of grip comfort when holding the grab bar.

### Washbasin elements

The washbasins can be extended by the modular system – as required by the individual needs of the user.

### Washbasin sets

Sensibly composed sets allow straightforward expansion of the washbasin by useful elements.

### Wall profiles

Due to the timeless and modern design, the organisation system is also ideal for the wall.

[www.hewi.com/en/washbasinsystem](http://www.hewi.com/en/washbasinsystem)



# Modular washbasin system

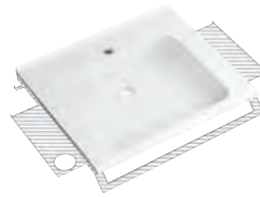
## Washbasin product range



**Washbasin set**  
 950.19.07... ab p. 624  
 950.19.08... | overflow ab p. 624



**Washbasin | with overflow**  
 950.13.20... | 650 x 550 mm p. 612



**Configuration**  
 + Support rail p. 613  
 + Profile + Accessories p. 613  
 + Support rail + Accessories p. 613



**Washbasin set**  
 950.19.085 page 631  
 950.19.086 page 631



**Washbasin | with overflow**  
 950.13.30... | 850 x 550 mm p. 614



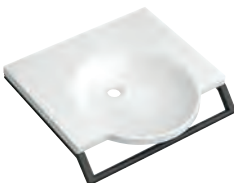
**Configuration**  
 + Support rail p. 615  
 + Profile + Accessories p. 615  
 + Support rail + Accessories p. 615



**Washbasin | with overflow**  
 950.13.20.. S | variable length p. 616



**Configuration**  
 + Support rail page 617



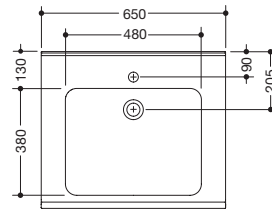
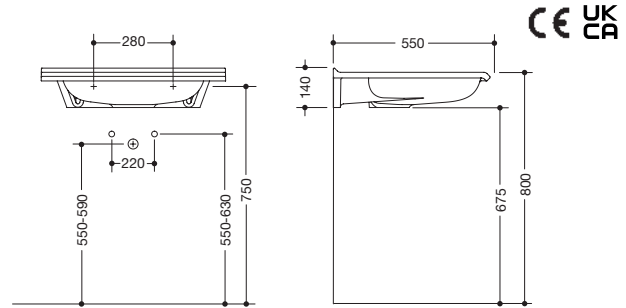
**Washbasin set**  
 950.19.087 page 632  
 950.19.088 page 632



**Washbasin set**  
 950.19.089 page 633  
 950.19.090 page 633

Item Number

Dimensions in mm / Specification



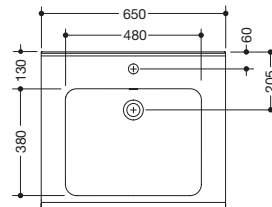
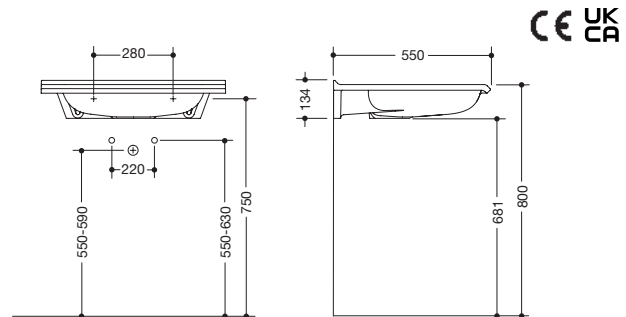
**HEWI Washbasin**

- modular washbasin system: adaptive additional functions can be extended or removed
- with shelf and deep rectangular basin with generous radii
- with gushing edge to wall, without overflow
- alpine white, made of mineral composite with non-porous surface
- 650 mm wide, 550 mm deep, wash trough depth 100 mm
- wheelchair accessible to DIN 18040 and ÖNORM B 1600/1601
- loading capacity to EN 14688
- for hanger bolt fixing

950.13.201  
950.13.200

- prepared for single hole mixer tap
- without tap hole (for wall-mounted fittings)

Mineral composite



**HEWI Washbasin**

- do., includes overflow, with rose and cover
- overflow can be replaced and renewed if necessary
- overflow is mounted between drain and siphon under the washbasin, 25 mm high, ø 70 mm

New 950.13.203  
New 950.13.202

Mineral composite

- prepared for single hole mixer tap
- without tap hole (for wall-mounted fittings)

AQ1...

**HEWI Fittings** see register Fittings from page 561  
Available only in DE, AT, BE, NL, LU, FR, PL and restricted in UK





=

**950.13.20...**  
see left

+

**1 profile optionally with 1 shelf or 3 hooks**

Free choice:

- 950.13.0002 Washbasin profile with shelf
- 950.13.0003 Washbasin profile with shelf, hole right
- 950.13.0004 Washbasin profile with shelf, hole left
- 950.13.0005 Washbasin profile with shelf
- 950.13.0006 Washbasin profile with shelf, hole right and oblong hole
- 950.13.0007 Washbasin profile with shelf, hole left and oblong hole
- 950.13.0008 Washbasin profile with 3 hooks

Washbasin profile sets from page 620

+

**2 profiles optionally with 1 shelf each or 3 hooks each**

Free choice:

- 950.13.0002 Washbasin profile with shelf
- 950.13.0003 Washbasin profile with shelf, hole right
- 950.13.0004 Washbasin profile with shelf, hole left
- 950.13.0005 Washbasin profile with shelf
- 950.13.0006 Washbasin profile with shelf, hole right and oblong hole
- 950.13.0007 Washbasin profile with shelf, hole left and oblong hole
- 950.13.0008 Washbasin profile with 3 hooks

Washbasin profile sets from page 620



=

**950.13.20... + 950.13.0001**  
Washbasin profiles with support rail see page 618

+

**Accessories**

Free choice:

- 950.13.0013 15 mm Hook
- 950.13.0014 360 mm Shelf
- 950.13.0015 360 mm Shelf, hole right
- 950.13.0016 360 mm Shelf, hole left
- 950.13.0017 470 mm Shelf
- 950.13.0018 470 mm Shelf, hole right and oblong hole
- 950.13.0019 470 mm Shelf, hole left and oblong hole
- 950.13.0026 470 mm Towel rail
- 950.13.0027 120 mm Walking aid holder
- 950.13.0028 190 mm Shelf

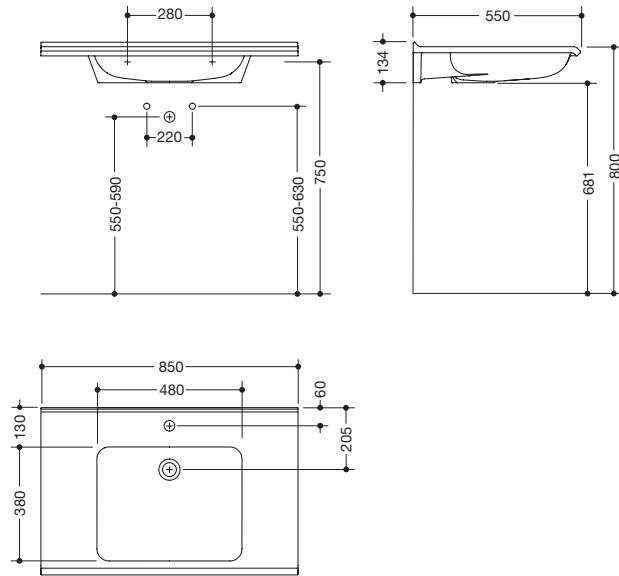
**Free choice of accessories.**

**Can be combined up to max. 470 mm per profile side.**

Accessories from page 636

**HEWI Surfaces**

- ... **DX** matt white
- ... **SC** matt dark grey pearl mica
- ... **DC** matt black



**HEWI Washbasin**

- modular washbasin system: adaptive additional functions can be extended or removed
- with shelf and deep rectangular basin with generous radii
- with gushing edge to wall
- without overflow
- alpine white, made of mineral composite with non-porous surface
- 850 mm wide and 550 mm deep, wash trough depth 100 mm
- wheelchair accessible to DIN 18040 and ÖNORM B 1600/1601
- loading capacity to EN 14688
- for hanger bolt fixing

- prepared for single hole mixer tap
- without tap hole (for wall-mounted fittings)

Mineral composite

**950.13.301**  
**950.13.300**



**HEWI Washbasin**

- do., includes overflow, with rose and cover
- overflow can be replaced and renewed if necessary
- overflow is mounted between drain and siphon under the washbasin, 25 mm high, ø 70 mm

- prepared for single hole mixer tap
- without tap hole (for wall-mounted fittings)

Mineral composite

**950.13.303**  
**950.13.302**



=

**950.13.3...**  
see left

+

**1 profile optionally with 1 shelf or 3 hooks**

Free choice:

- 950.13.0002 Washbasin profile with shelf
- 950.13.0003 Washbasin profile with shelf, hole right
- 950.13.0004 Washbasin profile with shelf, hole left
- 950.13.0005 Washbasin profile with shelf
- 950.13.0006 Washbasin profile with shelf, hole right and oblong hole
- 950.13.0007 Washbasin profile with shelf, hole left and oblong hole
- 950.13.0008 Washbasin profile with 3 hooks

Washbasin profile sets from page 620

+

**2 profiles optionally with 1 shelf each or 3 hooks each**

Free choice:

- 950.13.0002 Washbasin profile with shelf
- 950.13.0003 Washbasin profile with shelf, hole right
- 950.13.0004 Washbasin profile with shelf, hole left
- 950.13.0005 Washbasin profile with shelf
- 950.13.0006 Washbasin profile with shelf, hole right and oblong hole
- 950.13.0007 Washbasin profile with shelf, hole left and oblong hole
- 950.13.0008 Washbasin profile with 3 hooks

Washbasin profile sets from page 620



=

**950.13.30... + 950.13.0022**

Washbasin profiles with support rail see page 618

+

**Accessories**

Free choice:

- 950.13.0013 15 mm Hook
- 950.13.0014 360 mm Shelf
- 950.13.0015 360 mm Shelf, hole right
- 950.13.0016 360 mm Shelf, hole left
- 950.13.0017 470 mm Shelf
- 950.13.0018 470 mm Shelf, hole right and oblong hole
- 950.13.0019 470 mm Shelf, hole left and oblong hole
- 950.13.0026 470 mm Towel rail
- 950.13.0027 120 mm Walking aid holder
- 950.13.0028 190 mm Shelf

**Free choice of accessories.**

**Can be combined up to max. 470 mm per profile side.**

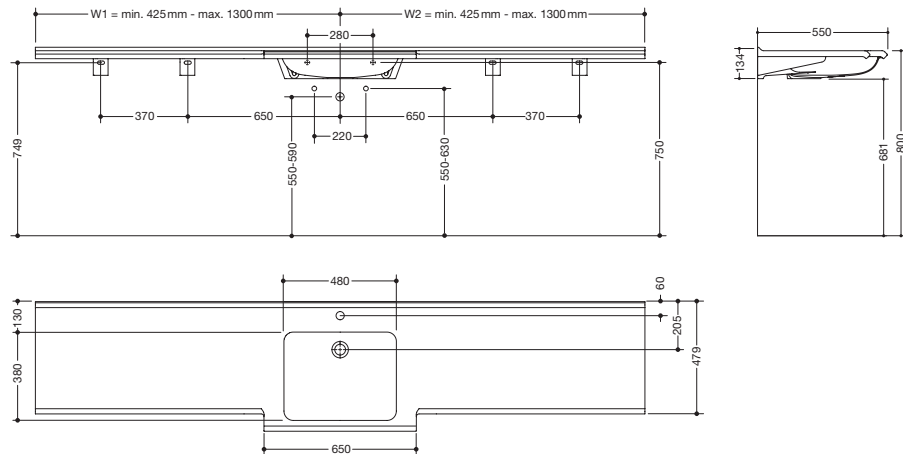
Accessories from page 636

**HEWI Surfaces**

- ... **DX** matt white
- ... **SC** matt dark grey pearl mica
- ... **DC** matt black

Item Number

Dimensions in mm / Specification



**950.13.201S**  
**950.13.200S**

**HEWI Washbasin, variable length**

- modular washbasin system: with support rail extendable or removable
- with shelf and deep rectangular basin with generous radii
- with gushing edge to wall
- without overflow
- alpine white, made of mineral composite with non-porous surface
- base length: 850 mm, extendable to a total length of up to 2600 mm, 550 mm deep, wash trough depth 100 mm
- wheelchair accessible to DIN 18040 and ÖNORM B 1600/1601
- loading capacity to EN 14688
- for hanger bolt fixing
- incl. appropriate number of necessary supports
- prepared for single hole mixer tap
- without tap hole (for wall-mounted fittings)



**950.13.203S**  
**950.13.202S**

**HEWI Washbasin, variable length**

- do., includes overflow with rose and cover
- overflow can be replaced and renewed if necessary
- overflow is mounted between drain and siphon under the washbasin, 25 mm high, ø 70 mm
- prepared for single hole mixer tap
- without tap hole (for wall-mounted fittings)

**All HEWI variable length washbasins are individually made to the dimensions specified by the customer and therefore cannot be exchanged or returned!**

W1 in mm	W2 in mm					
	425 - 549	550 - 709	710 - 899	900 - 1079	1080 - 1149	1150 - 1300
425 - 549						
550 - 709						
710 - 899						
900 - 1079						
1080 - 1149						
1150 - 1300						

Mineral composite

\*Manufacturing tolerances of up to -0.4% of the total basin length possible.



Washbasin 950.13.20...S | with overflow



**950.13.20...S**  
see left

**Cannot be combined with washbasin profile sets.**



Washbasin 950.13.20...S | with overflow  
and support rail 950.13.0023



**950.13.2...S + 950.13.0023**  
Washbasin support rail see page 619

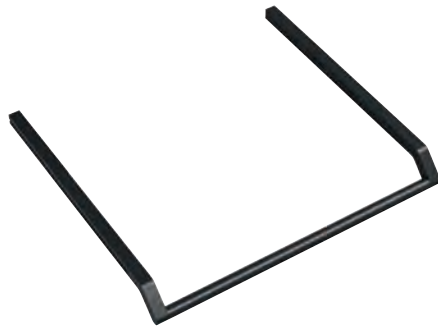
**Cannot be combined with accessories.**

**HEWI Surfaces**

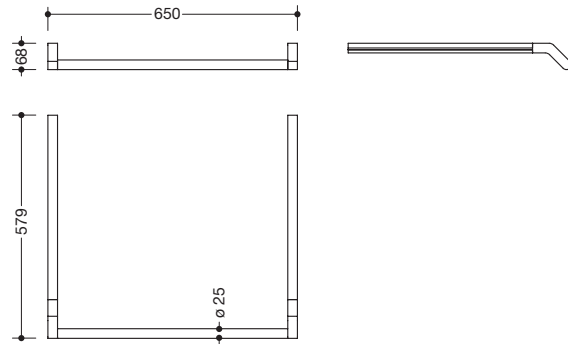
- ... **DX** matt white
- ... **SC** matt dark grey pearl mica
- ... **DC** matt black

Item Number

Dimensions in mm / Specification



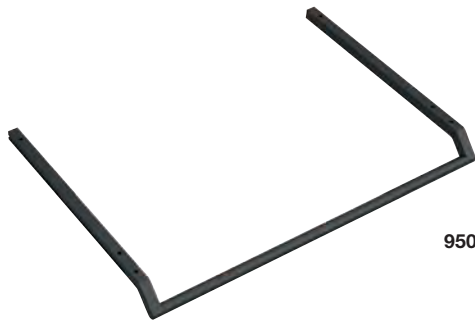
950.13.0001



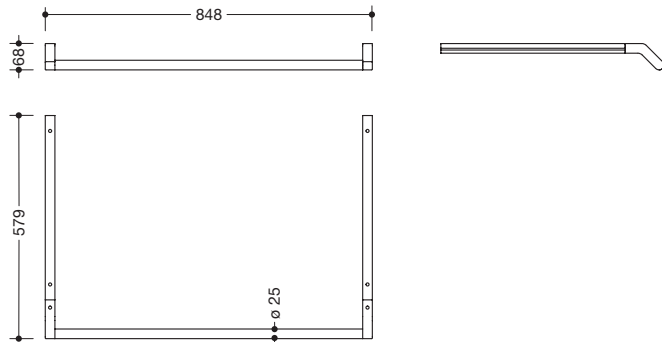
**HEWI Washbasin profile with support rail**

- adaptive additional function for washbasin model 950.13.20..
- support rail can also be used as a towel holder
- 650 mm wide, rail  $\varnothing$  25 mm, loading capacity 80 kg
- rail made of high-quality stainless steel, powder-coated in HEWI colours DX (matt white), SC (matt dark grey pearl mica) and DC (matt black)
- mounted under the washbasin using two profiles
- including non-corrosive HEWI fixing material

**Note:** Special colour possible



950.13.0022



**HEWI Washbasin profile with support rail**

- adaptive additional function for washbasin model 950.13.30..
- support rail can also be used as a towel holder
- 848 mm wide, rail  $\varnothing$  25 mm, loading capacity 80 kg
- rail made of high-quality stainless steel, powder-coated in HEWI colours DX (matt white), SC (matt dark grey pearl mica) and DC (matt black)
- mounted under the washbasin using two profiles
- including non-corrosive HEWI fixing material

**Note:** Special colour possible

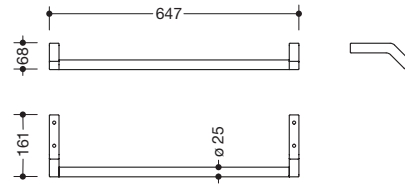


Item Number

Dimensions in mm / Specification



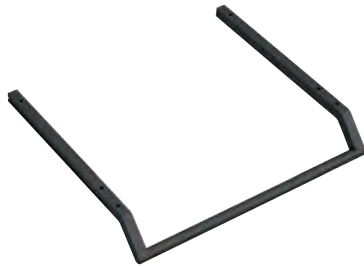
950.13.0023



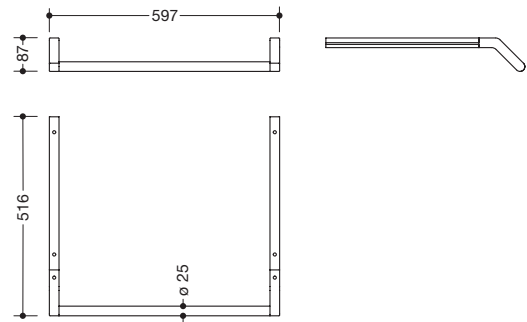
**HEWI Washbasin support rail**

- adaptive additional function for variable-length washbasin model 950.13.20...S
- support rail can also be used as a towel holder
- 650 mm wide, rail  $\varnothing$  25 mm, loading capacity up to 80 kg
- rail made of high-quality stainless steel, powder-coated in HEWI colours DX (matt white), SC (matt dark grey pearl mica) and DC (matt black)

**Note:** Special colour possible



950.13.0024



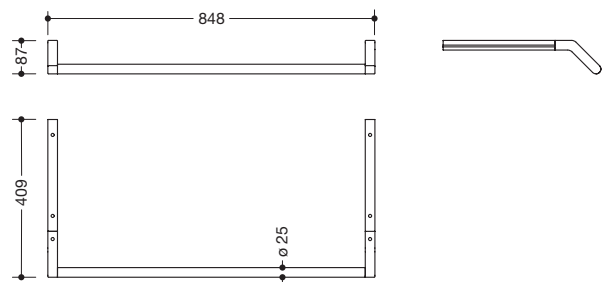
**HEWI Washbasin profile with support rail**

- adaptive additional function for washbasin model 950.11.12...
- support rail can also be used as a towel holder
- 597 mm wide, rail  $\varnothing$  25 mm, loading capacity 80 kg
- rail made of high-quality stainless steel, powder-coated in HEWI colours DX (matt white), SC (matt dark grey pearl mica) and DC (matt black)
- mounted under the washbasin using two profiles
- including non-corrosive HEWI fixing material

**Note:** Special colour possible



950.13.0025



**HEWI Washbasin profile with support rail**

- adaptive additional function for washbasin model 950.11.22...
- support rail can also be used as a towel holder
- 848 mm wide, rail  $\varnothing$  25 mm, loading capacity 80 kg
- rail made of high-quality stainless steel, powder-coated in HEWI colours DX (matt white), SC (matt dark grey pearl mica) and DC (matt black)
- mounted under the washbasin using two profiles
- including non-corrosive HEWI fixing material

**Note:** Special colour possible



**HEWI Surfaces**

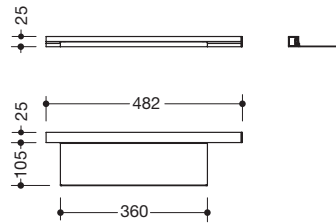
- ... **DX** matt white
- ... **SC** matt dark grey pearl mica
- ... **DC** matt black

Item Number

Dimensions in mm / Specification



950.13.0002

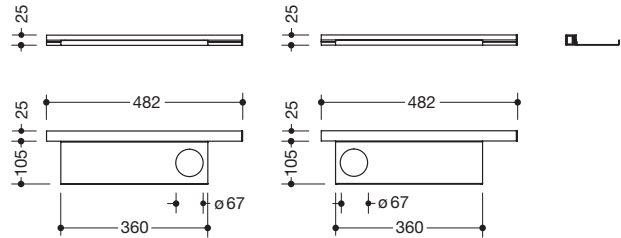


**HEWI Washbasin profile with shelf**

- adaptive additional functions for washbasin model 950.13.20..
- shelf can easily be inserted and removed in the profile on the washbasin
- shelf 360 mm wide, 102 mm deep, loading capacity up to 2 kg
- made of high-quality stainless steel, powder-coated in HEWI colours DX (matt white), SC (matt dark grey pearl mica) and DC (matt black)
- including non-corrosive HEWI fixing material



950.13.0003



**HEWI Washbasin profile with shelf**

- adaptive additional functions for washbasin model 950.13.20..
- shelf can easily be inserted and removed in the profile on the washbasin
- shelf 360 mm wide, 105 mm deep, loading capacity up to 2 kg
- hole for tumbler or soap dispenser system 800 K (see page 639)
- made of high-quality stainless steel, powder-coated in HEWI colours DX (matt white), SC (matt dark grey pearl mica) and DC (matt black)
- including non-corrosive HEWI fixing material



950.13.0004

- hole right
- hole left

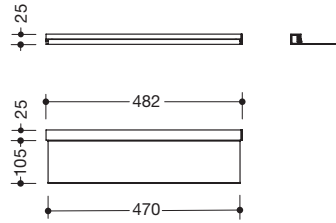


Item Number

Dimensions in mm / Specification



950.13.0005

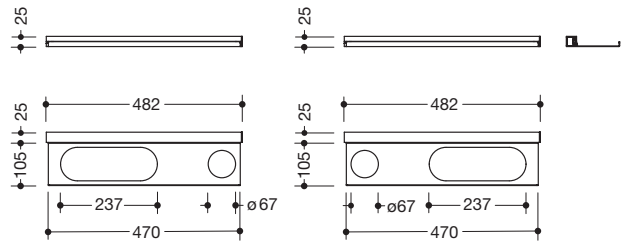


**HEWI Washbasin profile with shelf**

- adaptive additional functions for washbasin model 950.13.20..
- shelf can easily be inserted and removed in the profile on the washbasin
- shelf 470 mm wide, 105 mm deep
- made of high-quality stainless steel, powder-coated in HEWI colours DX (matt white), SC (matt dark grey pearl mica) and DC (matt black)
- loading capacity up to 2 kg
- including non-corrosive HEWI fixing material



950.13.0006



**HEWI Washbasin profile with shelf**

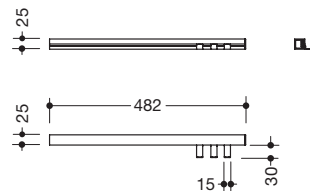
- adaptive additional functions for washbasin model 950.13.20..
- shelf can easily be inserted and removed in the profile on the washbasin
- shelf 470 mm wide, 105 mm deep
- hole for tumbler or soap dispenser system 800 K, oblong hole for shower basket system 800 K (see page 639)
- made of high-quality stainless steel, powder-coated in HEWI colours DX (matt white), SC (matt dark grey pearl mica) and DC (matt black)
- loading capacity up to 2 kg
- including non-corrosive HEWI fixing material
- hole right, oblong hole left
- hole left, oblong hole right



950.13.0007



950.13.0008



**HEWI Washbasin profile with 3 hooks**

- adaptive additional functions for washbasin model 950.13.20..
- hooks can easily be inserted and removed in the profile on the washbasin
- profile 480 mm long, hooks each 15 mm wide and 30 mm deep
- made of high-quality stainless steel, powder-coated in HEWI colours DX (matt white), SC (matt dark grey pearl mica) and DC (matt black)
- loading capacity up to 2 kg
- including non-corrosive HEWI fixing material



**HEWI Surfaces**

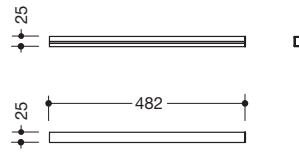
- ... **DX** matt white
- ... **SC** matt dark grey pearl mica
- ... **DC** matt black

Item Number

Dimensions in mm / Specification

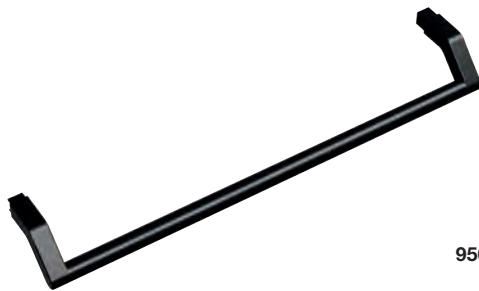


950.13.0009

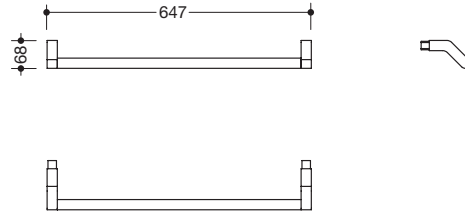


**HEWI Washbasin profile with cap**

- can be mounted under washbasin model 950.13.20..
- hooks and shelves can easily be inserted and removed using the profile on the washbasin
- 480 mm long, □ 25 x 25 mm
- made of aluminum, powder-coated in HEWI colours DX (matt white), SC (matt dark grey pearl mica) and DC (matt black)
- including non-corrosive HEWI fixing material



950.13.0021



**HEWI Washbasin support rail**

- adaptive additional functions for washbasin model 950.13.20..
- support rail, can also be used as a towel holder
- 647 mm wide, rail ø 25 mm
- made of high-quality stainless steel, powder-coated in HEWI colours DX (matt white), SC (matt dark grey pearl mica) and DC (matt black)
- loading capacity up to 80 kg
- mounted under the washbasin using two profiles



**HEWI Surfaces**

- ... **DX** matt white
- ... **SC** matt dark grey pearl mica
- ... **DC** matt black

# Washbasin sets



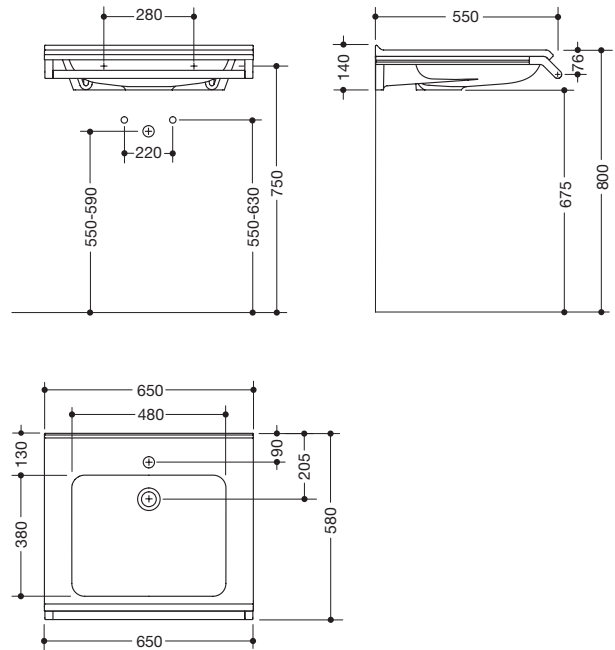


# Modular washbasin system

## Washbasin sets







**950.19.070**



**New 950.19.080**

**HEWI Set washbasin with support rail**

set includes:

- washbasin 950.13.201
  - modular washbasin system: adaptive additional functions can be extended or removed
  - with shelf and deep rectangular basin with generous radii
  - with gushing edge to wall, without overflow
  - alpine white, made of mineral composite with non-porous surface
  - 650 mm wide, 550 mm deep, wash trough depth 100 mm
  - prepared for single hole mixer tap
  - wheelchair accessible to DIN 18040 and ÖNORM B 1600/1601
  - loading capacity to EN 14688
  - for hanger bolt fixing
- washbasin profiles with support rail 950.13.0001
  - support rail, can also be used as a towel holder, loading capacity 80 kg
  - 650 mm wide, rail  $\varnothing$  25 mm
  - mounted under the washbasin using two profiles
  - rail made of high-quality stainless steel powder-coated in HEWI colours DX (matt white), DC (matt black) and SC (matt dark grey pearl mica)
  - including non-corrosive HEWI fixing material

**HEWI Set washbasin with support rail**

- do., washbasin 950.13.203
  - inclusive overflow, with rose and cover
  - overflow can be replaced and renewed if necessary
  - overflow is mounted between drain and siphon under the washbasin, h=25 mm,  $\varnothing$ =70 mm

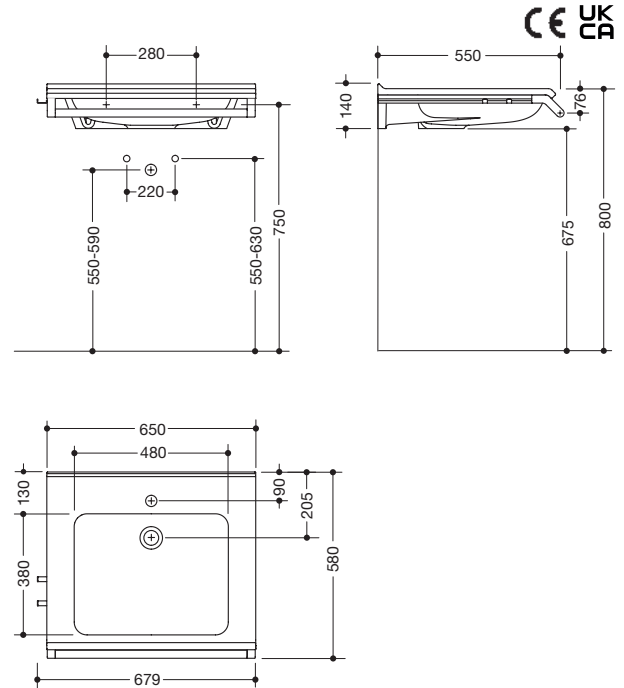
Please advise the surface of the washbasin profiles with support rail when ordering.

Mineral composite



Item Number

Dimensions in mm / Specification



**950.19.071**

**HEWI Set washbasin with support rail and 2 hooks**

set includes:

- washbasin 950.13.201
  - modular washbasin system: adaptive additional functions can be extended or removed
  - with shelf and deep rectangular basin with generous radii
  - with gushing edge to wall, without overflow
  - alpine white, made of mineral composite with non-porous surface
  - 650 mm wide, 550 mm deep, wash trough depth 100 mm
  - prepared for single hole mixer tap
  - wheelchair accessible to DIN 18040 and ÖNORM B 1600/1601
  - loading capacity to EN 14688
  - for hanger bolt fixing
- washbasin profiles with support rail 950.13.0001
  - support rail, can also be used as a towel holder, loading capacity 80 kg
  - 650 mm wide, rail  $\varnothing$  25 mm
  - mounted under the washbasin using two profiles
- 2 x hook 950.13.0013
  - hooks can easily be inserted and removed in the profile, loading capacity 2 kg
  - 15 mm wide
- hooks and rail made of high-quality stainless steel, powder-coated in HEWI colours DX (matt white), DC (matt black) and SC (matt dark grey pearl mica)
- including non-corrosive HEWI fixing material



**New 950.19.081**

**HEWI Set washbasin with support rail and 2 hooks**

- do., washbasin 950.13.203
  - inclusive overflow, with rose and cover
  - overflow can be replaced and renewed if necessary
  - overflow is mounted between drain and siphon under the washbasin, h=25 mm,  $\varnothing$ =70 mm

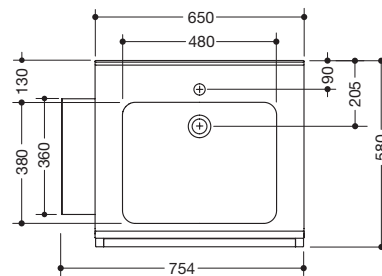
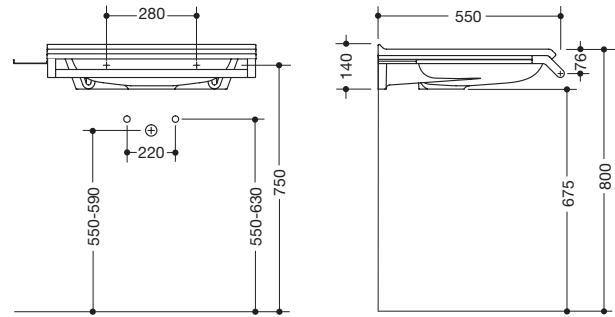
Please advise the surface of the washbasin profiles with support rail and hooks when ordering.

Mineral composite



**HEWI Surfaces**

- ...60 DX matt white
- ...60 SC matt dark grey pearl mica
- ...60 DC matt black



**950.19.072**

**HEWI Set washbasin with support rail and shelf**

set includes:

- washbasin 950.13.201
  - modular washbasin system: adaptive additional functions can be extended or removed
  - with shelf and deep rectangular basin with generous radii
  - with gushing edge to wall, without overflow
  - alpine white, made of mineral composite with non-porous surface
  - 650 mm wide, 550 mm deep, wash trough depth 100 mm
  - prepared for single hole mixer tap
  - wheelchair accessible to DIN 18040 and ÖNORM B 1600/1601
  - loading capacity to EN 14688
  - for hanger bolt fixing
  - No. 305/2011 305/2011
- washbasin profiles with support rail 950.13.0001
  - support rail, can also be used as a towel holder, loading capacity 80 kg
  - 650 mm wide, rail  $\varnothing$  25 mm
  - mounted under the washbasin using two profiles
- shelf 950.13.0014
  - shelf can easily be inserted and removed in the profile, loading capacity 2 kg
  - 360 mm wide, 102 mm deep
- shelf and rail made of high-quality stainless steel, powder-coated in HEWI colours DX (matt white), DC (matt black) and SC (matt dark grey pearl mica)
- including non-corrosive HEWI fixing material



**New 950.19.082**

**HEWI Set washbasin with support rail and shelf**

- do., washbasin 950.13.203
  - inclusive overflow, with rose and cover
  - overflow can be replaced and renewed if necessary
  - overflow is mounted between drain and siphon under the washbasin, h=25 mm,  $\varnothing$ =70 mm

Mineral composite



Please advise the surface of the washbasin profiles with support rail and shelf when ordering.

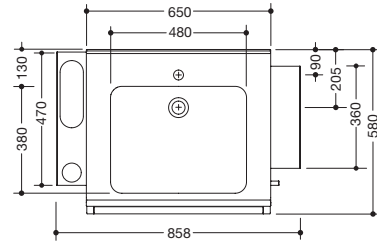
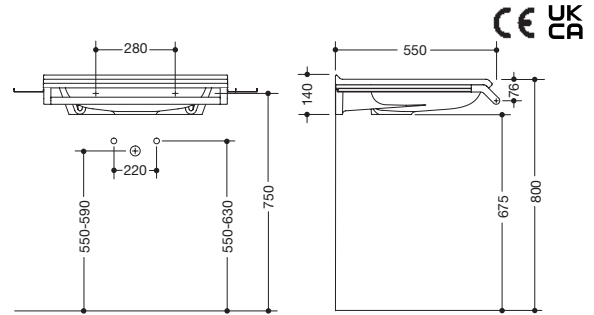


Item Number

Dimensions in mm / Specification



950.19.073



**HEWI Set washbasin with support rail, 2 shelves and hook**

set includes:

- washbasin 950.13.201
  - modular washbasin system: adaptive additional functions can be extended or removed
  - with shelf and deep rectangular basin with generous radii
  - with gushing edge to wall, without overflow
  - alpine white, made of mineral composite with non-porous surface
  - 650 mm wide, 550 mm deep, wash trough depth 100 mm
  - prepared for single hole mixer tap
  - wheelchair accessible to DIN 18040 and ÖNORM B 1600/1601
  - loading capacity to EN 14688
  - for hanger bolt fixing
- washbasin profiles with support rail 950.13.0001
  - support rail, can also be used as a towel holder, loading capacity 80 kg
  - 650 mm wide, rail  $\varnothing$  25 mm
  - mounted under the washbasin using two profiles
- shelf 950.13.0014
  - 360 mm wide, 102 mm deep
- shelf 950.13.0018
  - 470 mm wide, 102 mm deep
  - hole for tumbler or soap dispenser system 800 K, oblong hole for shower basket system 800 K
- hook 950.13.0013
  - 15 mm wide
- shelves and hook can easily be inserted and removed in the profile, loading capacity 2 kg
- shelves, hook and rail made of high-quality stainless steel, powder-coated in HEWI colours DX (matt white), DC (matt black) and SC (matt dark grey pearl mica)
- including non-corrosive HEWI fixing material



**New** 950.19.083

**HEWI Set washbasin with support rail, 2 shelves and hooks**

- do., washbasin 950.13.203
  - inclusive overflow, with rose and cover
  - overflow can be replaced and renewed if necessary
  - overflow is mounted between drain and siphon under the washbasin, h=25 mm,  $\varnothing$ =70 mm

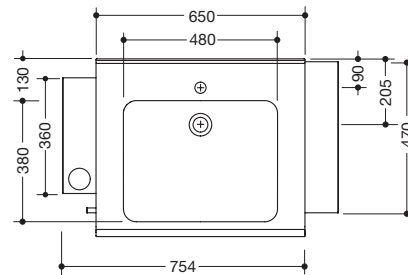
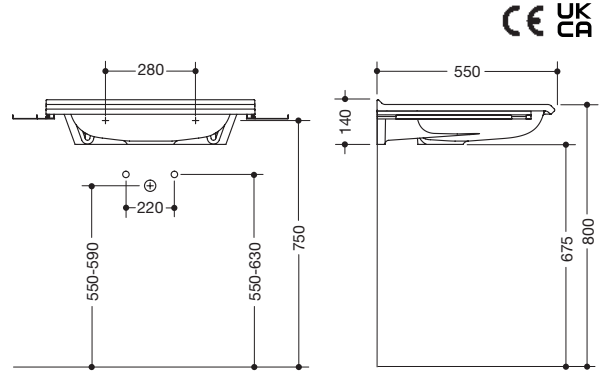
Please advise the surface of the washbasin profiles with support rail, shelves and hook when ordering.

Mineral composite



**HEWI Surfaces**

- ...60 DX matt white
- ...60 SC matt dark grey pearl mica
- ...60 DC matt black



950.19.074

**HEWI Set washbasin with 2 shelves and hook**

set includes:

- washbasin 950.13.201
  - modular washbasin system: adaptive additional functions can be extended or removed
  - with shelf and deep rectangular basin with generous radii
  - with gushing edge to wall, without overflow
  - alpine white, made of mineral composite with non-porous surface
  - 650 mm wide, 550 mm deep, wash trough depth 100 mm
  - prepared for single hole mixer tap
  - wheelchair accessible to DIN 18040 and ÖNORM B 1600/1601
  - loading capacity to EN 14688
  - for hanger bolt fixing



- washbasin profile with shelf 950.13.0003
  - 360 mm wide, 102 mm deep
  - hole for tumbler or soap dispenser system 800 K
- washbasin profile with shelf 950.13.0005
  - 470 mm wide, 102 mm deep
- hook 950.13.0013
  - 15 mm wide
- shelves and hook can easily be inserted and removed in the profile, loading capacity 2 kg
- shelves and hook made of high-quality stainless steel, powder-coated in HEWI colours DX (matt white), DC (matt black) and SC (matt dark grey pearl mica)
- including non-corrosive HEWI fixing material

**New** 950.19.084

**HEWI Set washbasin with 2 shelves and hook**

- do., washbasin 950.13.203
  - inclusive overflow, with rose and cover
  - overflow can be replaced and renewed if necessary
  - overflow is mounted between drain and siphon under the washbasin, h=25 mm, ø=70 mm

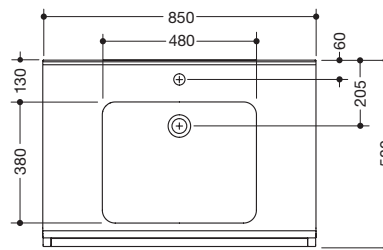
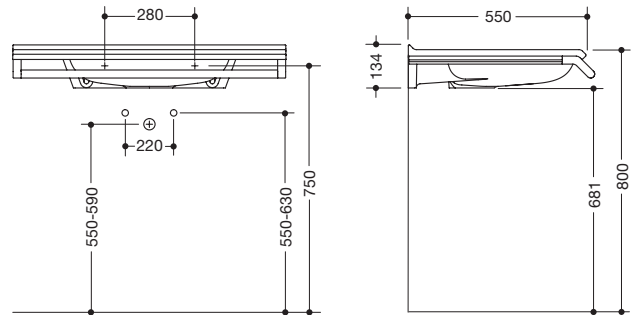
Please advise the surface of the washbasin profiles with shelves and hook when ordering.

Mineral composite



Item Number

Dimensions in mm / Specification



Washbasins

**950.19.085**

**HEWI Set washbasin with support rail**

set includes:

- washbasin 950.13.301
  - modular washbasin system: adaptive additional functions can be extended or removed
  - with shelf and deep rectangular basin with generous radii
  - with gushing edge to wall, without overflow
  - alpine white, made of mineral composite with non-porous surface
  - 850 mm wide and 550 mm deep, wash trough depth 100 mm
  - prepared for single hole mixer tap
  - wheelchair accessible to DIN 18040 and ÖNORM B 1600/1601
  - loading capacity to EN 14688
  - for hanger bolt fixing
- washbasin profiles with support rail 950.13.0022
  - support rail can also be used as a towel holder, loading capacity 80 kg
  - 850 mm wide, rail  $\varnothing$  25 mm
  - mounted under the washbasin using two profiles
  - rail made of high-quality stainless steel, powder-coated in HEWI colours DX (matt white), DC (matt black) and SC (matt dark grey pearl mica)
  - including non-corrosive HEWI fixing material



**New 950.19.086**

**HEWI Set washbasin with support rail**

· do., washbasin 950.13.303

- inclusive overflow, with rose and cover
- overflow can be replaced and renewed if necessary
- overflow is mounted between drain and siphon under the washbasin,  $h=25$  mm,  $\varnothing=70$  mm

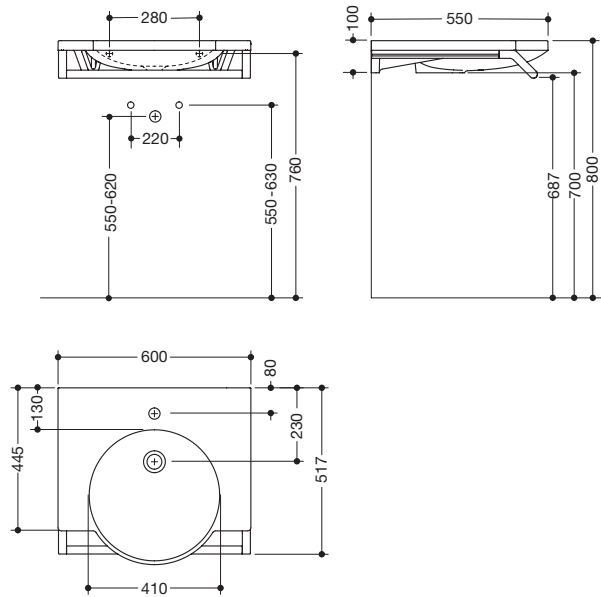
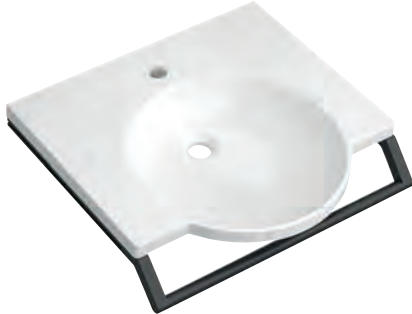
Please advise the surface of the washbasin profiles with support rail when ordering.

Mineral composite



**HEWI Surfaces**

- ...60 DX matt white
- ...60 SC matt dark grey pearl mica
- ...60 DC matt black



**New** 950.19.087



**New** 950.19.088

**HEWI Set washbasin with support rail**

set includes:

- washbasin 950.11.121
  - with shelf and round basin
  - without overflow
  - alpine white, made of mineral composite with non-porous surface
  - 600 mm wide and 550 mm deep, wash trough depth 80 mm
  - prepared for single hole mixer tap
  - wheelchair accessible to DIN 18040 and ÖNORM B 1600/1601
  - loading capacity to EN 14688
  - for hanger bolt fixing
- washbasin profiles with support rail 950.13.0024
  - support rail can also be used as a towel holder, loading capacity 80 kg
  - 600 mm wide, rail ø 25 mm
  - mounted under the washbasin using two profiles
  - rail made of high-quality stainless steel, powder-coated in HEWI colours DX (matt white), DC (matt black) and SC (matt dark grey pearl mica)
  - including non-corrosive HEWI fixing material

**HEWI Set washbasin with support rail**

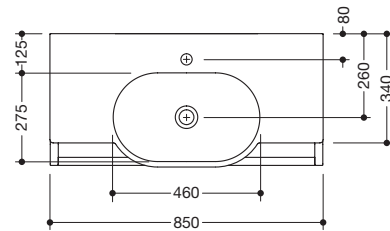
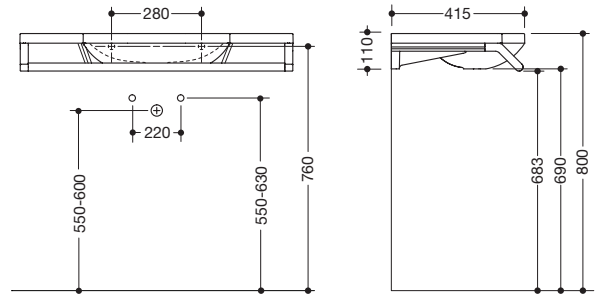
- do., washbasin 950.11.120
  - for wall-mounted fittings

Mineral composite



Item Number

Dimensions in mm / Specification



**New** 950.19.089

**HEWI Set washbasin with support rail**

set includes:

- washbasin 950.11.221
  - with shelf and oval basin
  - without overflow
  - alpine white, made of mineral composite with non-porous surface
  - 850 mm wide and 415 mm deep, wash trough depth 90 mm
  - prepared for single hole mixer tap
  - wheelchair accessible
  - loading capacity to EN 14688
  - for hanger bolt fixing
    - fulfils the requirements according to ÖNORM B1600/1601 for small basins
- washbasin profiles with support rail 950.13.0025
  - support rail can also be used as a towel holder, loading capacity 80 kg
  - 850 mm wide, rail ø 25 mm
  - mounted under the washbasin using two profiles
  - rail made of high-quality stainless steel, powder-coated in HEWI colours DX (matt white), DC (matt black) and SC (matt dark grey pearl mica)
  - including non-corrosive HEWI fixing material



**New** 950.19.090

**HEWI Set washbasin with support rail**

- do., washbasin 950.11.220
  - for wall-mounted fittings

Mineral composite



**HEWI Surfaces**

- ...60 DX matt white
- ...60 SC matt dark grey pearl mica
- ...60 DC matt black

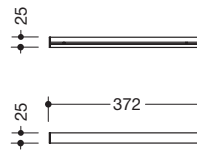
Washbasins

# Wall profiles



Item Number

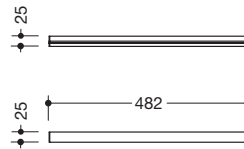
Dimensions in mm / Specification



**950.13.0010**

**HEWI Wall profile with caps**

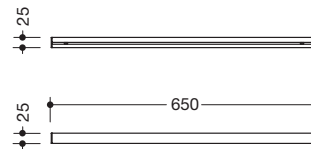
- for wall mounting
- hooks and shelves can easily be inserted and removed using the profile, suitable for shelf 360 mm or hooks
- 372 mm long, □ 25 x 25 mm
- made of aluminum, powder-coated in HEWI colours DX (matt white), SC (matt dark grey pearl mica) and DC (matt black)
- including non-corrosive HEWI fixing material



**950.13.0011**

**HEWI Wall profile with caps**

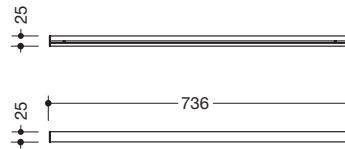
- do., suitable for shelves 360 mm and 470 mm, hooks or shelf 360 mm combined with hooks
- 482 mm long



**New 950.13.0033**

**HEWI Wall profile with caps**

- do., suitable for shelves 360 mm and 470 mm, hooks or shelves 360 mm or 470 mm each combined with hooks
- 650 mm long



**950.13.0012**

**HEWI Wall profile with caps**

- do., suitable for shelves 360 mm and 470 mm, hooks or two shelves 360 mm combined
- 736 mm long



**HEWI Surfaces**

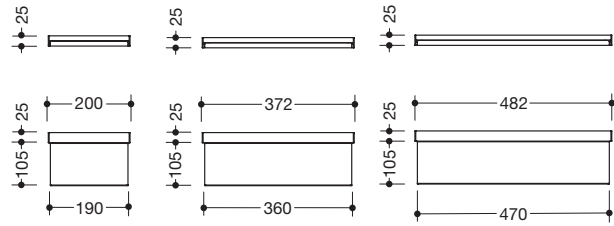
- ...60 DX matt white
- ...60 SC matt dark grey pearl mica
- ...60 DC matt black

Item Number

Dimensions in mm / Specification



**New** 950.13.0029  
**New** 950.13.0030  
**New** 950.13.0031

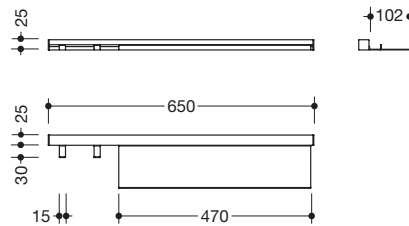


**HEWI Wall profile with shelf**

- for additional shelf space on the wall
- shelf can be easily hooked in and out of the profile on the wall
- 105 mm deep, loading capacity 2 kg
- shelf made of high-quality stainless steel and wall profile made of aluminum, powder-coated in HEWI colours DX (matt white), SC (matt dark grey pearl mica) and DC (matt black)
- including non-corrosive HEWI fixing material
- shelf 190 mm wide
- shelf 360 mm wide
- shelf 470 mm wide



**New** 950.13.0032

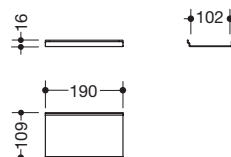


**HEWI Wall profile with shelf and 2 hooks**

- for additional shelf space on the wall
- shelf and hooks can be easily hooked in and out of the profile on the wall
- shelf 470 mm wide, 102 mm deep
- hooks 15 mm wide
- loading capacity 2 kg
- shelf/hooks made of high-quality stainless steel and wall profile made of aluminum, powder-coated in HEWI colours DX (matt white), SC (matt dark grey pearl mica) and DC (matt black)
- including non-corrosive HEWI fixing material



**New** 950.13.0028



**HEWI Shelf**

- adaptive additional function for washbasin profiles and wall profiles
- shelf can be easily hooked in and out of the profile on the wall
- shelf 190 mm wide, 109 mm deep
- loading capacity 2 kg
- made of high-quality stainless steel, powder-coated in HEWI colours DX (matt white), SC (matt dark grey pearl mica) and DC (matt black)

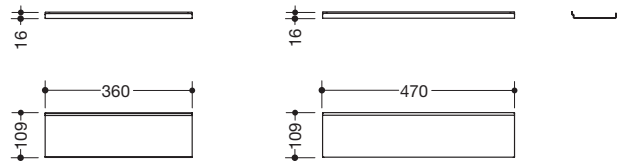


Item Number

Dimensions in mm / Specification



**950.13.0014**  
**950.13.0017**

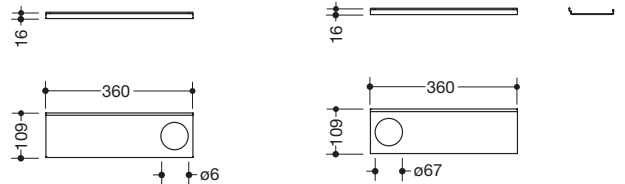


**HEWI Shelf**

- adaptive additional function for washbasin profiles 950.13.0001 and 950.13.0009 or wall profiles 950.13.001..
- shelf can be easily hooked in and out of the profile
- made of high-quality stainless steel, powder-coated in HEWI colours DX (matt white), SC (matt dark grey pearl mica) and DC (matt black)
- loading capacity 2 kg
- shelf 360 mm wide, 109 mm deep
- shelf 470 mm wide, 109 mm deep



**950.13.0015**  
**950.13.0016**

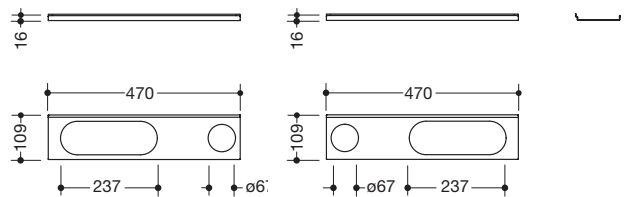


**HEWI Shelf with hole**

- adaptive additional function for washbasin profiles 950.13.0001 and 950.13.0009 or wall profiles 950.13.001..
- shelf can be easily hooked in and out of the profile
- shelf 360 mm wide, 109 mm deep
- hole for tumbler or soap dispenser System 800 K (see page 639)
- made of high-quality stainless steel, powder-coated in HEWI colours DX (matt white), SC (matt dark grey pearl mica) and DC (matt black)
- loading capacity 2 kg
- hole right
- hole left



**950.13.0018**  
**950.13.0019**



**HEWI Shelf with hole and oblong hole**

- adaptive additional function for washbasin profiles 950.13.0001 and 950.13.0009 or wall profiles 950.13.001..
- shelf can be easily hooked in and out of the profile
- shelf 470 mm wide, 109 mm deep
- hole for tumbler or soap dispenser System 800 K, oblong hole for shower basket System 800 K (see page 639)
- made of high-quality stainless steel, powder-coated in HEWI colours DX (matt white), SC (matt dark grey pearl mica) and DC (matt black)
- loading capacity 2 kg
- hole right, oblong hole left
- hole left, oblong hole right

**HEWI Surfaces**

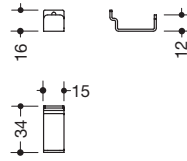
- ...60 DX matt white
- ...60 SC matt dark grey pearl mica
- ...60 DC matt black

Item Number

Dimensions in mm / Specification



950.13.0013

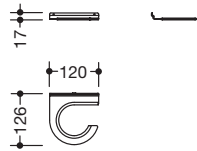


**HEWI Hook**

- adaptive additional functions for washbasin profiles 950.13.0001 and 950.13.0009 or wall profiles 950.13.001..
- hook can easily be inserted and removed in the profile
- 15 mm wide, 34 mm deep
- made of high-quality stainless steel, powder-coated in HEWI colours DX (matt white), SC (matt dark grey pearl mica) and DC (matt black)
- loading capacity up to 2 kg



New 950.13.0027

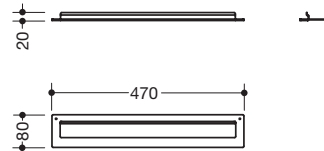


**HEWI Walking aid holder**

- adaptive additional functions for washbasin profile and wall profiles
- walking aid holder can easily be inserted and removed in the profile
- 120 mm wide, 126 mm deep, loading capacity 2 kg
- made of high-quality stainless steel, powder-coated in HEWI colours DX (matt white), SC (matt dark grey pearl mica) and DC (matt black)
- black rubber lip on the inside as edge protection



New 950.13.0026

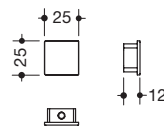


**HEWI Towel rail**

- adaptive additional functions for washbasin profiles or wall profiles
- towel rail can easily be inserted and removed in the profile
- 470 mm wide, 80 mm deep
- made of aluminium, powder-coated in HEWI colours DX (matt white), SC (matt dark grey pearl mica) and DC (matt black)



950.13.0020



**HEWI Profile cap**

- end cap for washbasin profile 950.13.0009 and wall profiles 950.13.001..
- 25 x 25 mm
- made of aluminum, powder-coated in HEWI colours DX (matt white), SC (matt dark grey pearl mica) and DC (matt black)

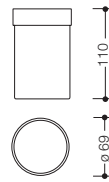


**HEWI Surfaces**

- ...60 DX matt white
- ...60 SC matt dark grey pearl mica
- ...60 DC matt black

Item Number

Dimensions in mm / Specification



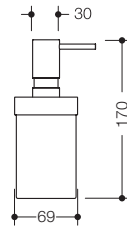
**800.04.010**  
**800.04B010**

**HEWI Tumbler**

**suitable for shelves with hole 950.13.00...**

- cylindrical tumbler with flat bottom
- upper  $\varnothing$  69 mm, 110 mm high
- made of high-quality polyamide in 16 HEWI colours
- made of high-quality matt polyamide in 16 HEWI colours

Please advise colour when ordering.



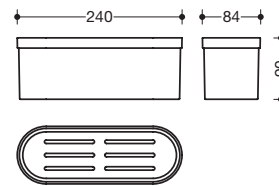
**800.06.010**  
**800.06B010**

**HEWI Soap dispenser**

**suitable for shelves with hole 950.13.00...**

- upper  $\varnothing$  69 mm, 170 mm high incl. pump
- pump made of metal, high-quality chrome-plated
- capacity approx. 200 ml
- made of high-quality polyamide in 16 HEWI colours
- made of high-quality matt polyamide in 6 HEWI colours

Please advise colour when ordering.



**800.03.010**  
**800.03B010**

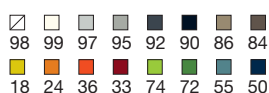
**HEWI Insert**

**suitable for shelves with oblong hole 950.13.00...**

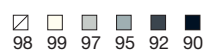
- 240 mm long, 90 mm high, 84 mm deep
- made of high-quality polyamide in 16 HEWI colours
- made of high-quality matt polyamide in 6 HEWI colours

Please advise colour when ordering.

**16 HEWI colours**



**6 matt HEWI colours**



## Mirrors

### PRODUCT CHARACTERISTICS

- Reduced, timeless design integrates into the sanitary ranges
- Adjustable mirror individually adjustable
- Illuminated (LED) and non-illuminated versions available

### RECOMMENDED APPLICATION AREAS

Home, Hotel, Public, Professional Care, Education



# Mirrors

## DESIGN

Phoenix Design, Stuttgart/Munich/Shanghai  
NOA Produktdesign, Aachen  
HEWI, Bad Arolsen

## MATERIAL AND SURFACES

Float and crystal glass

## SPIEGEL

Product range	642 – 643
LED illuminated mirrors	644
Mirrors	644 – 647
Adjustable mirrors	649 – 651
Cosmetic mirrors	652 – 653





- |                       |                    |                 |
|-----------------------|--------------------|-----------------|
| ■ 18 (mustard yellow) | ■ 74 (apple green) | <b>SURFACES</b> |
| ■ 24 (orange)         | ■ 72 (may green)   | ■ Chrome        |
| ■ 36 (coral)          | ■ 55 (aqua blue)   | ☒ Matt white    |
| ■ 33 (ruby red)       | ■ 50 (steel blue)  | ■ Matt black    |



**Cosmetic mirror**  
950.01.225 | ø 200 mm p. 652



**Cosmetic mirror**  
950.01.23040 | ø 220 mm p. 652



**Cosmetic mirror**  
950.01.23001 | ø 220 mm p. 652



**Cosmetic mirror, illuminated**  
950.01.26040 | ø 200 mm p. 653



**Cosmetic mirror, illuminated**  
950.01.26001 | ø 200 mm p. 653



**Cosmetic mirror, illuminated**  
950.01.26002 | ø 200 mm p. 653



Mirrors

**MORE MIRRORS**

see register Kids | Cloakrooms



**Mirror**  
950.01.501 page 555

ESG safety glass with shatter protection film



**Mirror**  
950.01.511 page 555

ESG safety glass with shatter protection film



**Mirror**  
950.01.500 page 555

■ ESG safety glass with shatter protection film



**Mirror**  
950.01.510 page 555

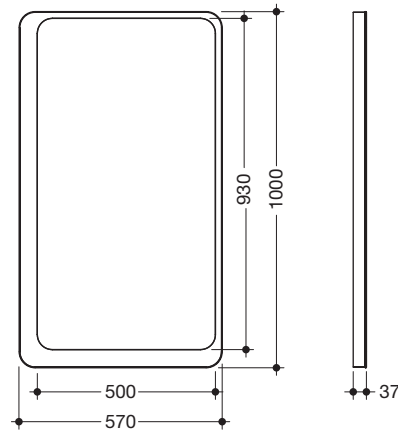
■ ESG safety glass with shatter protection film

Item Number

Dimensions in mm / Specification



950.01.11101



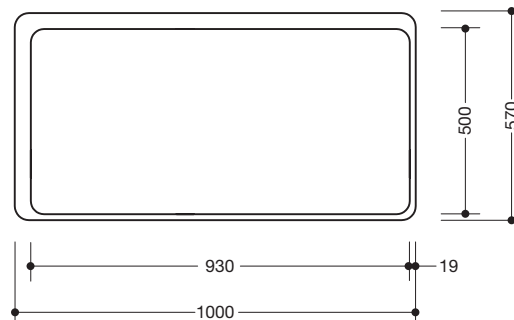
**HEWI LED illuminated mirror**

- rectangular illuminated mirror with large radii
- all-round asymmetrical satin-finished mirror edge with LED back-lighting
- high-quality Flex-LED 12 V, approx. 12 watt
- warm white light, approx. 3000 kelvin
- LED and switched-mode power supply protected by all-round frame made of metal, silver painted
- direct connection 200-240 V
- protection class I, IP rating IP44
- energy efficiency class A++, A+, A acc. to ordinance (EU) 874/2012
- concealed fixing, can only be mounted vertically
- 570 mm wide, 1000 mm high, 37 mm deep
- mirror surface 500 mm wide, 930 mm high
- mirror made of high-quality float glass, mirror 4 mm thick
- fulfils the requirements according to DIN 18040, ÖNORM B1600/1601 and SIA 500

Float glass



950.01.110



**HEWI Mirror**

- rectangular mirror with large radii and coloured backpainted edge
- asymmetrical backpainting in HEWI colour 98 (signal white)
- concealed fixing
- can be mounted horizontally and vertically
- 570 mm wide, 1000 mm high and 6 mm thick
- mirror surface 500 mm wide, 930 mm high
- made of high-quality float glass

Float glass

Backpainted edge

**5 matt HEWI colours**





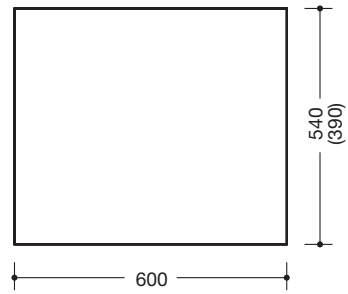
Item Number

Dimensions in mm / Specification



Picture with mirror clips

**477.01.010**  
**477.01.020**



**HEWI Plate glass mirror**

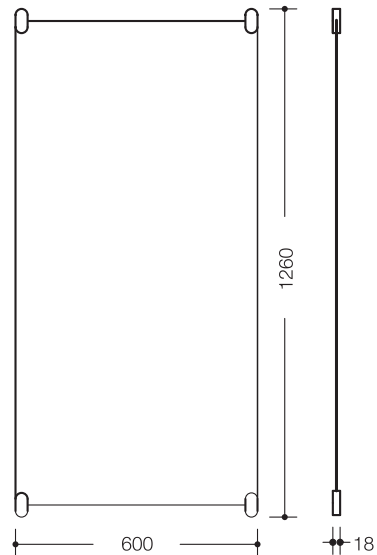
- rectangular mirror with polished edges
- mirror made of high-quality crystal glass
- can be held by 2 pairs of mirror clips (477.01...100) (to be ordered separately, see page 89)

600 mm wide, 390 mm high, 6 mm thick  
600 mm wide, 540 mm high, 6 mm thick



**801.01.300**  
**801.01B300**

**41939**  
**68557**



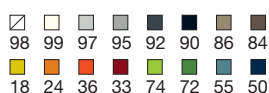
**HEWI Plate glass mirror with mirror clips**

- rectangular mirror with polished edges
- mirror made of high-quality crystal glass
- is held in place with four flat mirror clips
- 600 mm wide, 1200 mm high and 6 mm thick
- incl. mirror clips, 1260 mm high

· mirror clips made of high-quality polyamide in 16 HEWI colours  
· mirror clips made of high-quality matt polyamide in 5 HEWI colours

**HEWI Extension piece**  
**HEWI Extension piece, matt**

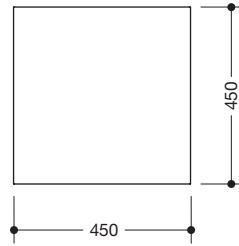
**16 HEWI colours**



Detailed information about the spare parts can be found here:  
[www.hewi.com/en/spare-parts](http://www.hewi.com/en/spare-parts)

Item Number

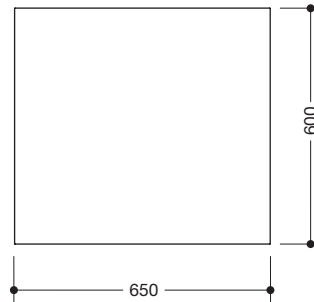
Dimensions in mm / Specification



950.01.12200

**HEWI Plate glass mirror**

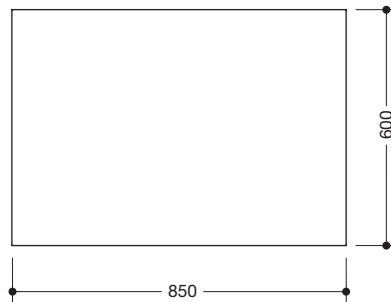
- square mirror with polished edges
- mirror made of high-quality crystal glass
- 450 mm wide and 450 mm high, mirror 5 mm thick
- concealed fixing



950.01.12201

**HEWI Plate glass mirror**

- rectangular mirror with polished edges
- mirror made of high-quality crystal glass
- 650 mm wide and 600 mm high, mirror 5 mm thick
- concealed fixing



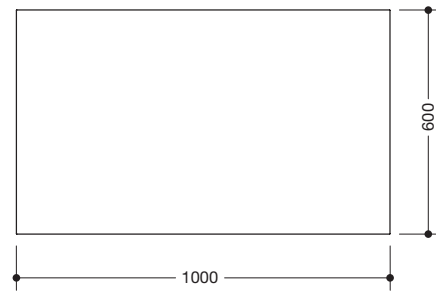
950.01.12202

**HEWI Plate glass mirror**

- rectangular mirror with polished edges
- mirror made of high-quality crystal glass
- 850 mm wide and 600 mm high, mirror 5 mm thick
- concealed fixing

Item Number

Dimensions in mm / Specification

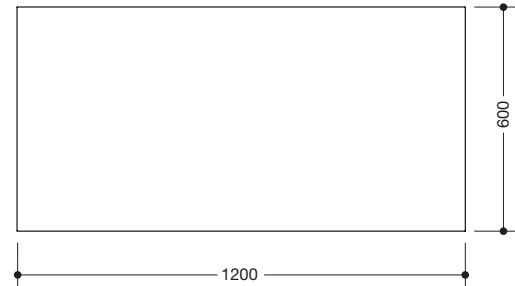


**950.01.12203**  
**950.01.12205**

**HEWI Plate glass mirror**

- rectangular mirror with polished edges
- 1000 mm wide and 600 mm high, mirror 5 mm thick
- can be mounted horizontally and vertically
- concealed fixing
- fulfils the requirements according to DIN 18040, ÖNORM B1600/1601 and SIA 500

- mirror made of high-quality crystal glass
- mirror made of high-quality crystal glass with shatter protection film



**950.01.12204**  
**950.01.12206**

**HEWI Plate glass mirror**

- rectangular mirror with polished edges
- 1200 mm wide and 600 mm high, mirror 5 mm thick
- can be mounted horizontally and vertically
- concealed fixing
- fulfils the requirements according to DIN 18040, ÖNORM B1600/1601 and SIA 500

- mirror made of high-quality crystal glass
- mirror made of high-quality crystal glass with shatter protection film

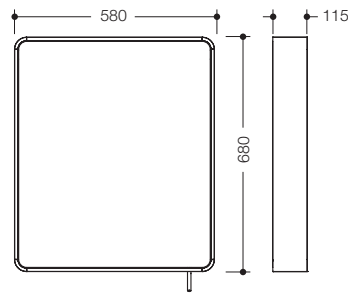
Mirrors

Detailed information about the spare parts can be found here:  
[www.hewi.com/en/spare-parts](http://www.hewi.com/en/spare-parts)



Item Number

Dimensions in mm / Specification

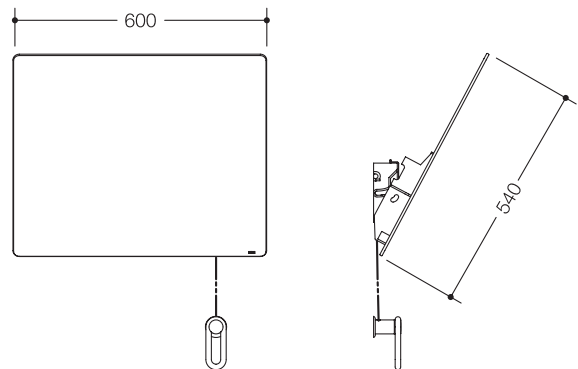


800.01.10060

**HEWI Adjustable mirror**

- rectangular plate glass mirror with rounded edges, integrated shatter protection film and tilting frame
- ergonomically shaped handle made of metal, high-quality chrome-plated
- tilting frame with high-quality white coating, for wall mounting
- easy adjustment of the tilt between 0 to 10° from a seated position
- 580 mm wide, 680 mm high and 115 mm deep
- including non-corrosive HEWI fixing material

- Crystal glass
- ☒ Frame
- Handle



801.01.100  
801.01B100

**HEWI Adjustable mirror**

- rectangular plate glass mirror with rounded edges and integrated splinter protection foil
- mirror adjustable by max. 28° using cranked cord control and therefore usable in standing or sitting position
- for wall mounting, for prewall mounting with cord re-routing
- 600 mm wide, 540 mm high, 6 mm thick

⊕ 801.01D100

- holding elements and rotating handle: polyamide in 14 HEWI colours
- holding elements and rotating handle: matt polyamide in 6 HEWI colours

**HEWI active+ Adjustable mirror**

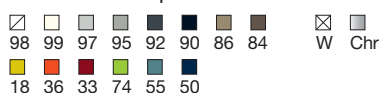
- in HEWI colour 98 (signal white), with active antimicrobial microsilver

21755  
54436  
68559  
⊕ 62852  
25244  
68555  
⊕ 62851

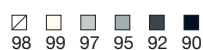
**HEWI Plate glass mirror**

- HEWI Cord re-routing**
- HEWI Cord re-routing, matt**
- HEWI active+ Cord re-routing**
- HEWI Rotating handle**
- HEWI Rotating handle, matt**
- HEWI active+ Rotating handle**

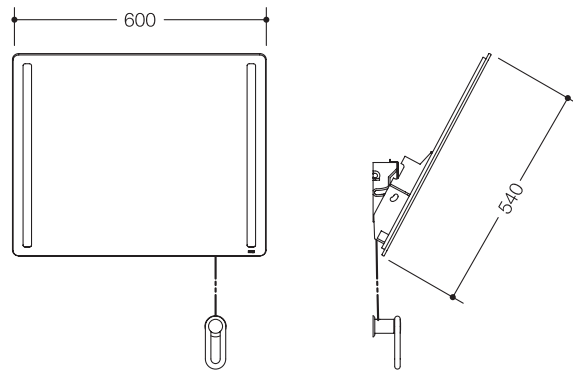
**14 HEWI Colours | Surfaces**



**6 matt HEWI colours**



Detailed information about the spare parts can be found here:  
[www.hewi.com/en/spare-parts](http://www.hewi.com/en/spare-parts)



**HEWI LED Adjustable mirror, basic**

- rectangular, illuminated laminated glass mirror with sanded edges
- integrated shatter protection and integrated LED lights on the side
- mirror adjustable by max. 28° using cranked cord control and therefore usable in standing or sitting position
- for wall mounting, direct connection 200-240 V
- with cord re-routing for pre-wall installation
- with two high-quality LED aluminum light profiles attached to the back
- durable LED in light colour: natural white, approx. 4000 kelvin, total output approx. 9,6 watt
- LED and ballast are protected, protection class II, rating IP 44
- mirror 600 mm wide, 540 mm high and 6 mm thick
- energy efficiency class A++, A+, A acc. to ordinance (EU) 874/2012
- holding elements and rotating handle: polyamide in 14 HEWI colours
- holding elements and rotating handle: matt polyamide in 6 HEWI colours

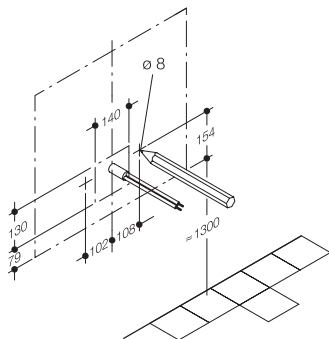
801.01.400  
801.01B400



**HEWI LED Adjustable mirror, plus**

- do., light colour continuously adjustable from warm white to cold white (approx. 3000 – 6500 kelvin), total output approx. 9,6 watt
- light intensity infinitely dimmable
- light control with battery-free Bluetooth radio wall switch (maintenance-free) with EnOcean technology (included in delivery) or possible with existing mobile terminal (free Casambi App)
- radio wall switch pre-programmed, incl. frame hunter Direct Opus 55 Inform, middle section can be used on site in frame of other switch series with inner dimensions 55 x 55 mm
- memory function: last selected light setting is saved for subsequent use
- holding elements and rotating handle: polyamide in 14 HEWI colours
- holding elements and rotating handle: matt polyamide in 6 HEWI colours

801.01.401  
801.01B401



Installation and wiring instructions

21755  
54436  
68559  
25244  
68555

**HEWI Plate glass mirror**  
**HEWI Cord re-routing**  
**HEWI Cord re-routing, matt**  
**HEWI Rotating handle**  
**HEWI Rotating handle, matt**

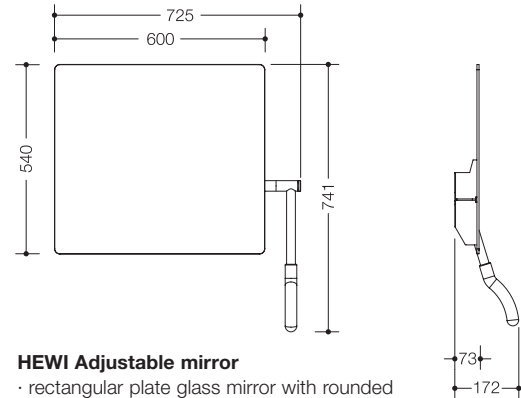
6 matt HEWI colours



Detailed information about the spare parts can be found here:  
[www.hewi.com/en/spare-parts](http://www.hewi.com/en/spare-parts)

Item Number

Dimensions in mm / Specification



**HEWI Adjustable mirror**

- rectangular plate glass mirror with rounded edges and integrated splinter protection foil
- can be comfortably tilted from 0 until 28° while seated
- 725 mm wide, 741 mm high and 73 mm deep
- clear dimension wall - grip 139 mm
- including non-corrosive HEWI fixing material
- grip bar in chrome-plated aluminum
- axis in powder coated, matt aluminum
- with ergonomically shaped grip made of high-quality polyamide in 14 HEWI colours

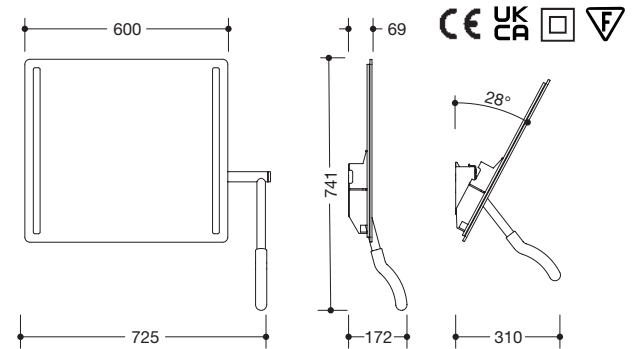
**802.01.100L**  
**802.01.100R**

Crystal glass  
■ Grip bar  
Grip in 14 HEWI colours

- lever left
- lever right (image and drawing above)

L /R Version from users point of view.  
Please advise colour when ordering.

Mirrors



**HEWI LED Adjustable mirror**

- rectangular illuminated composite mirror with polished edges
- integrated shatter protection and integrated LED lighting on sides
- can be comfortably tilted from 0 until 28° while seated
- for wall mounting, direct connection 200-240 V
- with two high-quality LED aluminum light profiles attached to the back
- durable LED in light colour: natural white, approx. 4000 kelvin, total output approx. 9,6 watt
- LED and ballast are protected, protection class II, rating IP 44
- mirror 600 mm wide, 540 mm high and 6 mm thick, laminated glass
- energy efficiency class A++, A+, A acc. to ordinance (EU) 874/2012
- 725 mm wide, 741 mm high and 69 mm deep, clear dimension wall distance-handle 139 mm, 310 mm dimension handle with 28° tilt
- simple and concealed installation with the enclosed corrosion-free HEWI fixing material
- grip bar in chrome-plated aluminum
- axis in powder coated, matt aluminum
- with ergonomically shaped grip made of polyamide in 14 HEWI colours

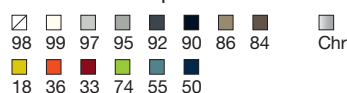
**802.01.400L**  
**802.01.400R**

Crystal glass  
■ Grip bar  
Grip in 14 HEWI colours

- lever left
- lever right (image and drawing above)

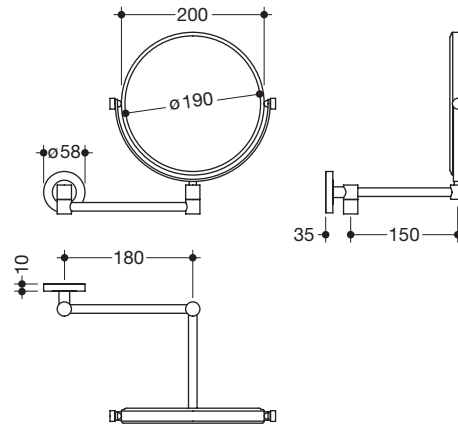
L /R Version from users point of view.  
Please advise colour when ordering.

**14 HEWI Colours | Surfaces**





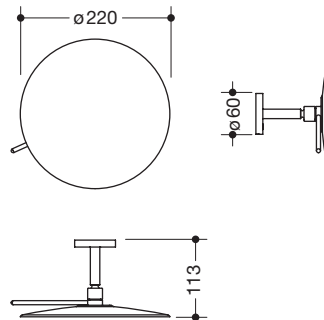
950.01.225



**HEWI Cosmetic mirror**

- double-sided mirror, both sides mirrored, rotatable
- set in a chrome plated metal frame
- one side concave, one side flat
- 3-fold magnification
- mirror  $\varnothing$  200 mm, mirror surface  $\varnothing$  190 mm
- on double hinged arm, mounting allows movement, length 365 mm
- for wall mounting, concealed 3-point fixing
- wall connection  $\varnothing$  58 mm, 10 mm deep
- including non-corrosive HEWI fixing material
- high-quality chrome-plated

Crystal glass



**HEWI Cosmetic mirror**

- framed in a chrome-plated metal frame
- 3-fold magnification
- mirror and mirror surface  $\varnothing$  220 mm
- on straight arm, movable, length 55 mm
- total depth 113 mm
- for wall mounting, concealed 3-point fixing
- wall connection  $\varnothing$  60 mm, 10 mm deep
- including non-corrosive HEWI fixing material



950.01.23040

950.01.23001

- chrome-plated
- matt black coated

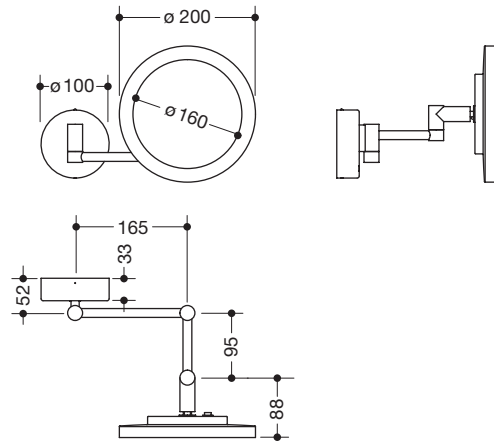


Item Number

Dimensions in mm / Specification



**950.01.26001**  
**950.01.26002**  
**950.01.26040**



**HEWI Cosmetic mirror, illuminated**

- LED-lighting, all-round, 20 mm wide
  - mirror concave on one side, 5-fold magnification
  - mirror  $\varnothing$  200 mm, rotatable and tiltable
  - Flex-LED 12 V, approx. 3 watt
  - two light colours, adjustable, warm white approx. 3000 kelvin or cold white approx. 5700 kelvin
  - mirror surface  $\varnothing$  160 mm, in a chrome-plated metal frame
  - on double hinged arm, mounting allows movement, length 400 mm
  - direct connection without cable 220-240 V
  - on and off switch behind the mirror
  - energy efficiency class A++, A+, A to Regulation (EG) 874/2012
  - for wall mounting, concealed 3-point fixing
  - wall connection  $\varnothing$  100 mm, approx. 33 mm deep
  - including non-corrosive HEWI fixing material
  - suitable for power supplies with voltages between 100 and 240 V and grid frequencies of between 50 and 60 Hz
  - protection class I, IP rating IP44
- matt black coated
  - matt white coated
  - chrome-plated, approx. 4.5 watts, mains voltages between 200 and 240 V

Mirrors

**HEWI Surfaces**

☒ ■ □  
 W S Chr

## Dispenser products



### PRODUCT CHARACTERISTICS

- Dispenser systems effectively increase hygiene in the sanitary room
- A dispenser locking system protects against theft and misuse
- In addition to manually operated dispensers, selected variants are also available as electronically controlled HEWI SENSORIC dispensers
- Can be combined with HEWI sanitary systems
- Variety of surfaces opens up design possibilities

### RECOMMENDED APPLICATION AREAS

Public



# Dispenser products

## RANGE 477/801

Product range	657
Soap dispensers	660 – 662
Disinfectant dispensers	660 – 661
Paper towel dispenser	662
Waste bins	663 – 664
Large toilet roll holder	664
Hygiene waste bins	665 – 666
Hygiene bag dispenser	667

## 950 | RANGE 805

Product range	658
Soap dispensers	667 – 669
Disinfectant dispensers	667 – 669
Paper towel dispenser	670 – 671
Waste bins	671 – 673
Large toilet roll holder	674
Hygiene bag dispensers	674 – 675
Paper tissue dispenser	689

## SYSTEM 900

Product range	659
Soap dispensers	676 – 678
Disinfectant dispensers	676 – 683
Paper towel dispenser	684
Waste bins	685 – 687
Large toilet roll holder	688
Hygiene bag dispensers	688 – 689







**New**  
**Disinfectant/soap dispenser**  
 477.06...1059... page 660

- Basic body
- Lever in 16 HEWI colours
- Matt



**New**  
**Soap dispenser | Foam soap dispenser | Disinfectant dispenser**  
 477.06...1029.. | HEWI SENSORIC p. 661  
 477.06...1039.. | HEWI SENSORIC p. 661  
 477.06...1049.. | HEWI SENSORIC p. 661

- Basic body
- Frame element in 16 HEWI colours
- Matt



**New**  
**Soap dispenser**  
 477.06...1019.. page 662

- Basic body
- Frame element in 16 HEWI colours
- Matt



**New**  
**Paper towel dispenser**  
 477.06...6019.. page 662

- Basic body
- Frame element in 16 HEWI colours
- Matt



**New**  
**Waste paper bin, 25 l**  
 477.05...2019.. page 663

- Basic body
- Frame element in 16 HEWI colours
- Matt



**New**  
**Waste paper bin with lid, 25 l**  
 477.05...2029.. page 663

- Basic body
- Frame element in 16 HEWI colours
- Matt



**New**  
**Waste bin, 60 l**  
 477.05...2039.. page 664

- Basic body
- Frame element in 16 HEWI colours
- Matt



**New**  
**Large toilet roll holder**  
 477.21...6009.. page 664

- Basic body
- Frame element in 16 HEWI colours
- Matt



**New**  
**Hygiene waste bin, 6 l**  
 477.05...2049.. page 665

- Basic body
- Frame element in 16 HEWI colours
- Matt



**New**  
**Hygiene combination, 6 l**  
 477.05...2059.. page 665

- Basic body
- Frame element in 16 HEWI colours
- Matt



**New**  
**Hygiene waste bin, 6 l**  
 477.05...1029.. page 666

- Basic body
- Frame element in 16 HEWI colours
- Matt



**New**  
**Hygiene combination, 6 l**  
 477.05...1019.. page 666

- Basic body
- Frame element in 16 HEWI colours
- Matt

**16 HEWI COLOURS**

- |  |  |  |   |
|--|--|--|---|
| <input type="checkbox"/> 98 (signal white) | <input checked="" type="checkbox"/> 92 (anthracite grey) | <input type="checkbox"/> 18 (mustard yellow) | <input type="checkbox"/> 74 (apple green) |
| <input type="checkbox"/> 99 (pure white)   | <input checked="" type="checkbox"/> 90 (jet black)       | <input type="checkbox"/> 24 (orange)         | <input type="checkbox"/> 72 (may green)   |
| <input type="checkbox"/> 97 (light grey)   | <input type="checkbox"/> 86 (sand)                       | <input type="checkbox"/> 36 (coral)          | <input type="checkbox"/> 55 (aqua blue)   |
| <input type="checkbox"/> 95 (stone grey)   | <input type="checkbox"/> 84 (umber)                      | <input type="checkbox"/> 33 (ruby red)       | <input type="checkbox"/> 50 (steel blue)  |



**Hygiene bag dispenser**  
 477.06...750 page 667

-

**SURFACES**

- Chrome
- Stainless steel, satin finished (XA)
- White powder-coated (W)

**HEWI COLOURS**

- 98 (signal white)
- 99 (pure white)
- 92 (anthracite grey)
- 90 (jet black)



**Soap dispenser**

950.06.100 page 668  
805.06.100 page 668

- Basic body
- Functional end



**Foam soap dispenser**

950.06.150 page 668  
805.06.150 page 668

- Basic body
- Functional end



**Soap dispenser | Foam soap dispenser | Disinfectant dispenser**

950.06.1...5 | HEWI SENSORIC page 669  
805.06.1...5 | HEWI SENSORIC page 669

- Basic body
- Functional end



**Disinfectant or soap dispenser**  
805.06.350 page 667

- Basic body
- Discharge cover



**Paper roll dispenser**

950.06.555 | HEWI SENSORIC page 670  
805.06.555 | HEWI SENSORIC page 670

- Basic body
- Opening



**Paper towel dispenser**

950.06.500 page 671  
805.06.500 page 671

- Basic body
- Opening



**Waste paper bin 25 l | with lid**

950.05.1... page 671  
805.05.1... page 671

- Basic body
- Opening



**Waste paper bin 60 l**

950.05.400 page 672  
805.05.400 page 672

- Basic body
- Opening



**Hygiene waste bin**

950.05.200 page 673  
805.05.200 page 673

- Basic body
- Opening



**Hygiene combination**

950.05.210 page 673  
805.05.210 page 673

- Basic body
- Opening



**Large toilet roll holder**

950.21.600 page 674  
805.21.600 page 674

- Basic body
- Opening



**Hygiene bag dispenser**

950.06.700 page 674  
805.06.700 page 674

- 



**Hygiene bag dispenser**

950.06.750 page 675  
800.06.750... page 675

- 
- Ring insert

**SURFACES**

- ...XA stainless steel, satin finished
- ...60 DX powder-coated matt white (RAL 9003)
- Chrome
- ...60 SC powder-coated matt dark grey pearl mica
- ...60 DC powder-coated matt black (RAL 9005)



**Disinfectant or soap dispenser**  
 900.06.002... page 676  
 900.06.003... page 677

- Basic body
- Front cover



**Disinfectant dispenser column**  
 900.06.012... p. 680  
 900.06.013... | HEWI SENSORIC® p. 681

- 



**Disinfectant dispenser column**  
 900.06.014... | HEWI SENSORIC® p. 682

- 



**Disinfectant dispenser column basic**  
 950.06.103... | HEWI SENSORIC® p. 683

- 



**Disinfectant dispenser**  
 900.06.01560 page 679  
 900.06.01660 page 679

- 



**Soap dispenser | Foam soap dispenser | Disinfectant dispenser**  
 900.06.004... p. 678  
 900.06.005... | HEWI SENSORIC® p. 678

- 



**Paper towel dispenser**  
 900.06.009... page 684

- 



**Electronic paper roll dispenser**  
 900.06.010... page 684

- 



**Waste paper bin 25 l | with lid**  
 900.05.001... page 685  
 900.05.002... page 685

- 



**Waste paper bin 60 l | with lid**  
 900.05.003... page 686  
 900.05.004... page 686

- 



**Waste bin 6 l, operation by knee**  
 900.05.000... page 687

- 



**Hygiene waste bin | combination**  
 900.05.005... page 687  
 900.05.006... page 687

- 



**Large toilet roll holder | Carousel**  
 900.21.001... page 688  
 900.21.E01 page 688

- 



**Hygiene bag dispenser**  
 900.06.011... page 688

- 



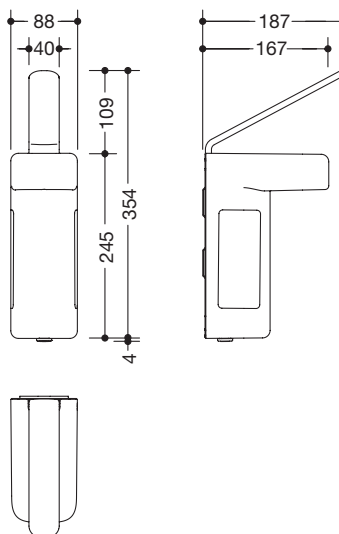
**Hygiene bag dispenser**  
 950.06...750... page 689

- 



**Paper tissue dispenser**  
 950.06.210... page 689

-



**HEWI Disinfectant/soap dispenser**

- with viewing windows on the sides for monitoring the fill level
- for dispensing controlled quantities of chlorine-free, alcohol-based hand disinfectants or liquid soaps
- for 500 ml Euro standard bottles
- the disposable bottle are easy to replace from the front
- dispenser with long lever, lockable
- dosing quantity adjustable in several steps: 0,7 ml, 1,0 ml, 1,2 ml, 1,5 ml (depending on the viscosity of the product)
- dosing pump made of high-quality stainless steel
- compatible with hygienic packaging (collapsing bottle with disposable pump)
- dispenser/pump dishwasher safe and autoclavable up to 134 °C, 3 bar
- 88 mm wide, 354 mm high, 187 mm deep
- incl. 500 ml empty container for free refilling
- for wall mounting
- including non-corrosive HEWI fixing material
- lever made of high-quality polyamide in 16 HEWI colours
- basic body made of polyamide in HEWI colour 98 (signal white)
- basic body made of polyamide in HEWI colour 99 (pure white)
- lever made of high-quality matt polyamide in 5 HEWI colours
- basic body made of polyamide in HEWI colour 98 (signal white)
- basic body made of polyamide in HEWI colour 99 (pure white)

**477.06.10598**

**477.06.10599**

**477.06B10598**

**477.06B10599**

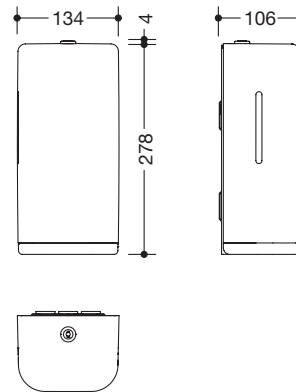
**5 matt HEWI colours**





Item Number

Dimensions in mm / Specification



**HEWI SENSORIC Liquid soap dispenser**

- to be filled with standard liquid soap
- with inner container for free filling, capacity 500 ml
- inner container can be removed for cleaning
- side level indicator
- non-contact soap dispensing
- enclosed sticker to identify the dispenser (if required to distinguish between soap dispenser, foam soap dispenser and disinfectant dispenser)
- illumination of the output area when the sensor is activated (blue light)
- with battery change indicator
- locking system as protection against misuse
- maintenance-free
- 134 mm wide, 278 mm high and 106 mm deep
- for wall mounting
- batteries (AA 1,5 V/4 pcs.) not included in delivery
- frame element made of high-quality polyamide in 16 HEWI colours
- basic body made of polyamide in HEWI colour 98 (signal white)
- basic body made of polyamide in HEWI colour 99 (pure white)
- frame element made of high-quality matt polyamide in 5 HEWI colours
- basic body made of polyamide in HEWI colour 98 (signal white)
- basic body made of polyamide in HEWI colour 99 (pure white)

**477.06.10298**  
**477.06.10299**

**477.06B10298**  
**477.06B10299**

**HEWI SENSORIC Foam soap dispenser**

- do., to be filled with standard foam soap
- non-contact foam soap dispensing
- frame element made of high-quality polyamide in 16 HEWI colours
- basic body made of polyamide in HEWI colour 98 (signal white)
- basic body made of polyamide in HEWI colour 99 (pure white)
- frame element made of high-quality matt polyamide in 5 HEWI colours
- basic body made of polyamide in HEWI colour 98 (signal white)
- basic body made of polyamide in HEWI colour 99 (pure white)

**477.06.10398**  
**477.06.10399**

**477.06B10398**  
**477.06B10399**

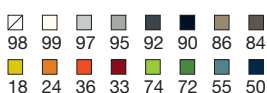
**HEWI SENSORIC Disinfectant dispenser**

- do., to be filled with standard disinfectant
- non-contact disinfectant dispensing
- frame element made of high-quality polyamide in 16 HEWI colours
- basic body made of polyamide in HEWI colour 98 (signal white)
- basic body made of polyamide in HEWI colour 99 (pure white)
- frame element made of high-quality matt polyamide in 5 HEWI colours
- basic body made of polyamide in HEWI colour 98 (signal white)
- basic body made of polyamide in HEWI colour 99 (pure white)

**477.06.10498**  
**477.06.10499**

**477.06B10498**  
**477.06B10499**

**16 HEWI colours**



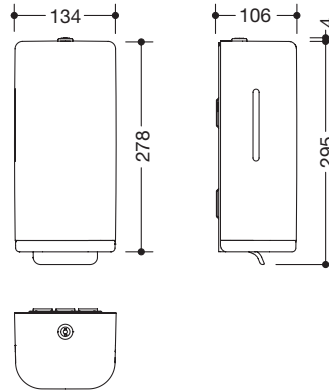
**477.06.E0360**

**HEWI Drip tray**

Dispenser products

Item Number

Dimensions in mm / Specification



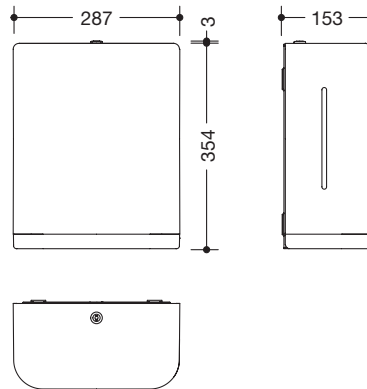
**HEWI Soap dispenser**

- with inner container for free filling, capacity 600 ml
- inner container can be removed for cleaning
- side level indicator
- with lever for manual soap dispensing
- locking system as protection against misuse
- 134 mm wide, 278 mm high and 106 mm deep
- for wall mounting
- including non-corrosive HEWI fixing material

**477.06.10198**  
**477.06.10199**

**477.06B10198**  
**477.06B10199**

- frame element made of high-quality polyamide in 16 HEWI colours
- basic body / lever made of polyamide in HEWI colour 98 (signal white)
- basic body / lever made of polyamide in HEWI colour 99 (pure white)
- frame element made of high-quality matt polyamide in 5 HEWI colours
- basic body / lever made of polyamide in HEWI colour 98 (signal white)
- basic body / lever made of polyamide in HEWI colour 99 (pure white)



**HEWI Paper towel dispenser**

- to hold standard paper towels with different folds in the width 235 - 250 mm and folded length / depth of 80 - 110 mm (HEWI recommends paper towels with Z-fold)
- capacity approx. 300 - 450 paper towels, side level indicator
- locking system as protection against misuse
- 287 mm wide, 354 mm high and 153 mm deep
- for wall mounting
- including non-corrosive HEWI fixing material

**477.06.60198**  
**477.06.60199**

**477.06B60198**  
**477.06B60199**

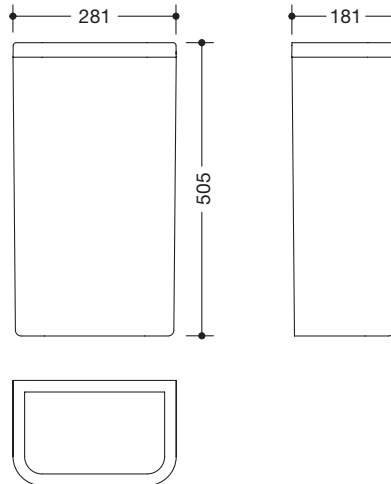
- frame element made of high-quality polyamide in 16 HEWI colours
- basic body made of polyamide in HEWI colour 98 (signal white)
- basic body made of polyamide in HEWI colour 99 (pure white)
- frame element made of high-quality matt polyamide in 5 HEWI colours
- basic body made of polyamide in HEWI colour 98 (signal white)
- basic body made of polyamide in HEWI colour 99 (pure white)

**5 matt HEWI colours**



Item Number

Dimensions in mm / Specification

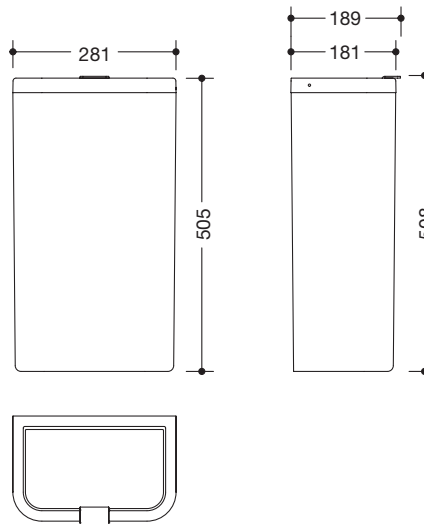


**477.05.20198**  
**477.05.20199**

**477.05B20198**  
**477.05B20199**

**HEWI Waste paper bin**

- capacity approx. 25 l
- invisible, integrated bag holder
- 281 mm wide, 505 mm high and 181 mm deep
- for wall mounting
- including non-corrosive HEWI fixing material
- frame element made of high-quality polyamide in 16 HEWI colours
- basic body made of polyamide in HEWI colour 98 (signal white)
- basic body made of polyamide in HEWI colour 99 (pure white)
- frame element made of high-quality matt polyamide in 5 HEWI colours
- basic body made of polyamide in HEWI colour 98 (signal white)
- basic body made of polyamide in HEWI colour 99 (pure white)



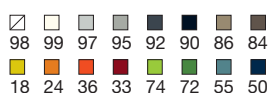
**477.05.20298**  
**477.05.20299**

**477.05B20298**  
**477.05B20299**

**HEWI Waste paper bin**

- do., with lid with lifting flap
- frame element made of high-quality polyamide in 16 HEWI colours
- basic body / lid made of polyamide in HEWI colour 98 (signal white)
- basic body / lid made of polyamide in HEWI colour 99 (pure white)
- frame element made of high-quality matt polyamide in 5 HEWI colours
- basic body / lid made of polyamide in HEWI colour 98 (signal white)
- basic body / lid made of polyamide in HEWI colour 99 (pure white)

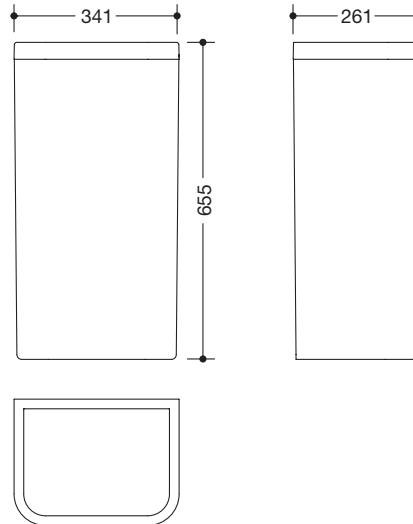
**16 HEWI colours**



Dispenser products

Item Number

Dimensions in mm / Specification

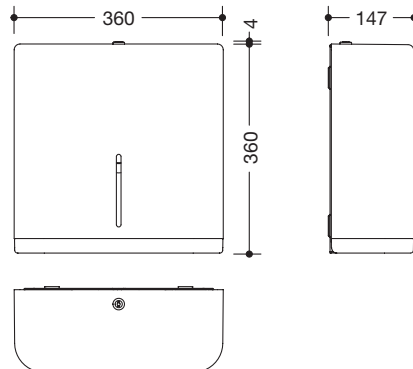


477.05.20398  
477.05.20399

477.05B20398  
477.05B20399

**HEWI Waste bin**

- capacity approx. 60 l, invisible, integrated bag holder
- 341 mm wide, 655 mm high and 261 mm deep
- for wall mounting and as a free-standing model
- including non-corrosive HEWI fixing material
- frame element made of high-quality polyamide in 16 HEWI colours
- basic body made of polyamide in HEWI colour 98 (signal white)
- basic body made of polyamide in HEWI colour 99 (pure white)
- frame element made of high-quality matt polyamide in 5 HEWI colours
- basic body made of polyamide in HEWI colour 98 (signal white)
- basic body made of polyamide in HEWI colour 99 (pure white)



477.21.60098  
477.21.60099

477.21B60098  
477.21B60099

900.21.E01

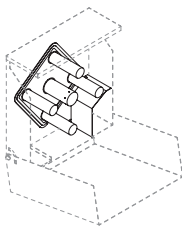
**HEWI Large toilet roll holder**

- for holding a standard large toilet roll in diameters from 250 - 320 mm
- level indicator at the front, for wall mounting
- locking system as protection against misuse
- 360 mm wide, 360 mm high and 147 mm deep
- extension possible with carousel 900.21.E01
- including non-corrosive HEWI fixing material

- frame element made of high-quality polyamide in 16 HEWI colours
- basic body made of polyamide in HEWI colour 98 (signal white)
- basic body made of polyamide in HEWI colour 99 (pure white)
- frame element made of high-quality matt polyamide in 5 HEWI colours
- basic body made of polyamide in HEWI colour 98 (signal white)
- basic body made of polyamide in HEWI colour 99 (pure white)

**HEWI Carousel**

- for conversion from large toilet roll holder to quadruple toilet roll holder
- optionally available

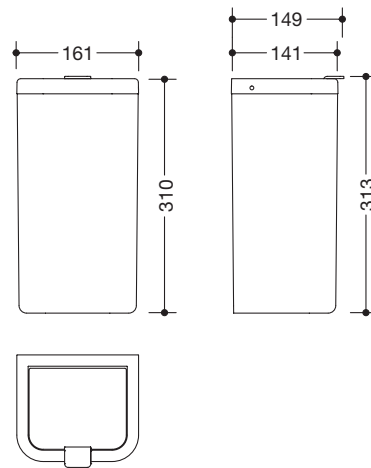


**5 matt HEWI colours**



Item Number

Dimensions in mm / Specification



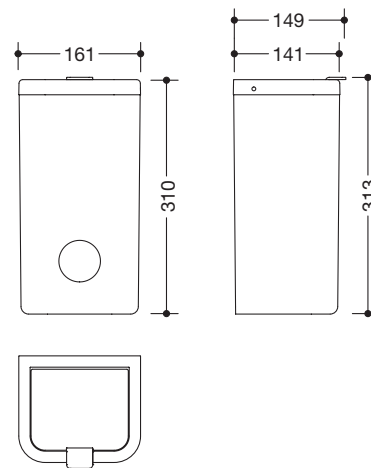
477.05.20498  
477.05.20499

477.05B20498  
477.05B20499

**HEWI Hygiene waste bin**

- capacity approx. 6 l
- invisible, integrated bag holder
- lid with lifting flap
- 161 mm wide, 310 mm high and 141 mm deep
- for wall mounting
- including non-corrosive HEWI fixing material
- frame element made of high-quality polyamide in 16 HEWI colours
- basic body / lid made of polyamide in HEWI colour 98 (signal white)
- basic body / lid made of polyamide in HEWI colour 99 (pure white)
- frame element made of high-quality matt polyamide in 5 HEWI colours
- basic body / lid made of polyamide in HEWI colour 98 (signal white)
- basic body / lid made of polyamide in HEWI colour 99 (pure white)

Dispenser products



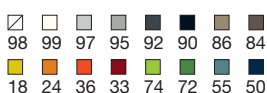
477.05.20598  
477.05.20599

477.05B20598  
477.05B20599

**HEWI Hygiene combination**

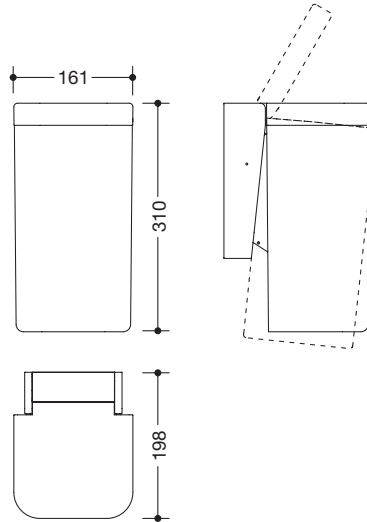
- do., with integrated holder for standard hygiene bags made of synthetic material (max. package size L 130 x B 90 x H 20 mm)
- frame element made of high-quality polyamide in 16 HEWI colours
- basic body / lid made of polyamide in HEWI colour 98 (signal white)
- basic body / lid made of polyamide in HEWI colour 99 (pure white)
- frame element made of high-quality matt polyamide in 5 HEWI colours
- basic body / lid made of polyamide in HEWI colour 98 (signal white)
- basic body / lid made of polyamide in HEWI colour 99 (pure white)

**16 HEWI colours**



Item Number

Dimensions in mm / Specification



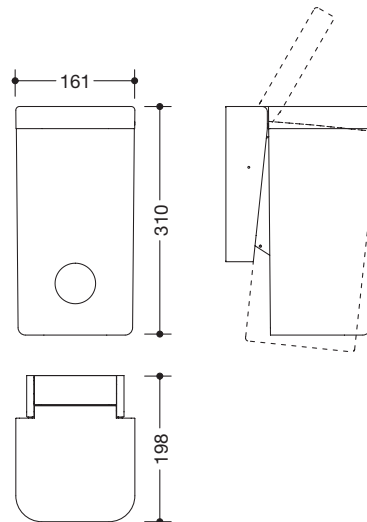
**HEWI Hygiene waste bin**

- capacity approx. 6 l, for wall mounting, removable
- invisible, integrated bag holder
- lid is opened by applying slight pressure to container with the knee or hand
- with self-adhesive label with instructions for knee operation
- 310 mm high and 198 mm deep and 161 mm wide
- including non-corrosive HEWI fixing material

**477.05.10198**  
**477.05.10199**

**477.05B10198**  
**477.05B10199**

- lid made of high-quality polyamide in 16 HEWI colours
- basic body made of polyamide in HEWI colour 98 (signal white)
- basic body made of polyamide in HEWI colour 99 (pure white)
- lid made of high-quality matt polyamide in 5 HEWI colours
- basic body made of polyamide in HEWI colour 98 (signal white)
- basic body made of polyamide in HEWI colour 99 (pure white)



**HEWI Hygiene combination**

- do., with integrated holder for standard hygiene bags made of synthetic material (max. package size L 130 x B 90 x H 20 mm)
- lid made of high-quality polyamide in 16 HEWI colours
- basic body made of polyamide in HEWI colour 98 (signal white)
- basic body made of polyamide in HEWI colour 99 (pure white)
- lid made of high-quality matt polyamide in 5 HEWI colours
- basic body made of polyamide in HEWI colour 98 (signal white)
- basic body made of polyamide in HEWI colour 99 (pure white)

**477.05.10298**  
**477.05.10299**

**477.05B10298**  
**477.05B10299**

**6 matt HEWI colours**

98 
  99 
  97 
  95 
  92 
  90 (for 477.06B750 only)

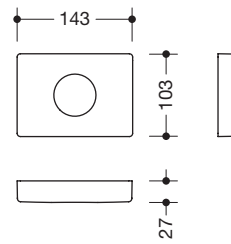
Item Number

Dimensions in mm / Specification



In 16 HEWI colours  
In 6 matt HEWI colours

**477.06.750**  
**477.06B750**



**HEWI Hygiene bag dispenser**

- used to hold and remove proprietary hygiene bags made of plastic
- 143 mm wide, 103 mm high and 27 mm deep
- for wall mounting including non-corrosive HEWI fixing material
- made of high-quality polyamide in 16 HEWI colours
- made of high-quality matt polyamide in HEWI colours 99 (pure white), 98 (signal white), 97 (light grey), 95 (stone grey), 92 (anthracite grey) and 90 (jet black)

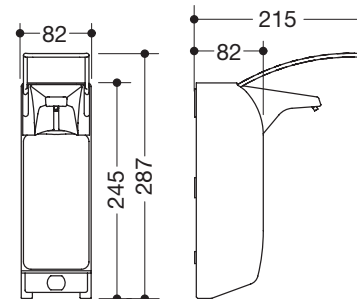
Dispenser products



- Basic body
- Discharge cover

**805.06.350**

**805.06.E01**  
**805.06.E02**



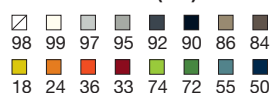
**HEWI Disinfectant and soap dispenser**

- half-open basic body made of high-quality stainless steel, satin finished
- dispenser with long lever, for dispensing controlled quantities of alcohol-based hand disinfectants
- for 500 ml Euro Norm standard bottles
- the disposable bottles are easy to replace from the front
- dosing quantity adjustable in several steps, dosing pump made of stainless steel
- dispenser/pump dishwasher safe and autoclavable up to 134° C, 3 bar
- 82 mm wide, 245 mm high and 215 mm deep, for wall mounting
- discharge cover made of synthetic material in HEWI colours 98 (signal white), 99 (pure white), 92 (anthracite grey) or 90 (jet black)
- incl. 500 ml empty container for free (re-)filling

Please advise colour when ordering.

**HEWI Shutter**  
**HEWI Empty container**

**16 HEWI colours (477)**

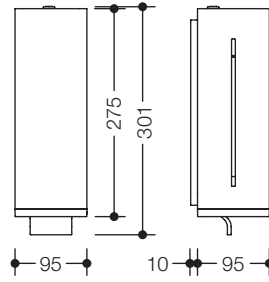


**HEWI Colours | Surfaces (805)**



Item Number

Dimensions in mm / Specification



- Basic body
- Functional end

950.06.100

**HEWI Soap dispenser**

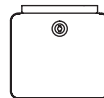
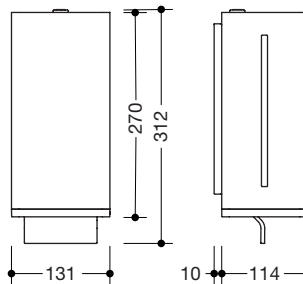
- to be filled with standard liquid soap
- with inner container for free filling, capacity 600 ml
- inner container can be removed for cleaning, side level indicator
- for wall mounting, locking system as protection against misuse
- 95 mm wide, 275 mm high and 105 mm deep
- made of high-quality stainless steel, coated white
- not suitable for disinfectant
- lever made of high-quality, white synthetic material
- functional end made of high-quality, chrome-plated synthetic material
- including non-corrosive HEWI fixing material



- Basic body
- Functional end

805.06.100

- do., made of high-quality stainless steel, satin finished
- lever and functional end made of high-quality polyamide in HEWI colours 98 (signal white), 99 (pure white), 92 (anthracite grey) or 90 (jet black)



- Basic body
- Functional end

950.06.150

**HEWI Foam soap dispenser**

- to be filled with standard foam soap
- with inner container for free filling, capacity 1000 ml
- inner container can be removed for cleaning, side level indicator
- for wall mounting, locking system as protection against misuse
- 130 mm wide, 270 mm high, 123 mm deep
- mounting height 35 cm above washbasin
- made of high-quality stainless steel, coated white
- lever made of high-quality, white synthetic material
- functional end made of high-quality, chrome-plated synthetic material
- including non-corrosive HEWI fixing material



- Basic body
- Functional end

805.06.150

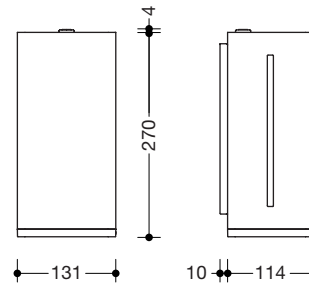
- do., made of high-quality stainless steel, satin finished
- lever and functional end made of high-quality polyamide in HEWI colours 98 (signal white), 99 (pure white), 92 (anthracite grey) or 90 (jet black)

Please advise colour when ordering.



Item Number

Dimensions in mm / Specification



**HEWI SENSORIC**

- Basic body
- Functional end

**950.06.115**

**HEWI SENSORIC Soap dispenser**

- to be filled with standard liquid soap
- with inner container for free filling, capacity 500 ml
- inner container can be removed for cleaning
- side level indicator
- non-contact soap dispensing
- illumination of the output area when the sensor is activated (blue light)
- with battery change indicator
- locking system as protection against misuse, maintenance-free
- 131 mm wide, 270 mm high, 124 mm deep
- made of high-quality stainless steel, coated white
- functional end made of high-quality, chrome-plated synthetic material
- for wall mounting
- including non-corrosive HEWI fixing material
- batteries (AA 1,5 V/4 pcs.) not included in delivery



**805.06.115**

- do., made of high-quality stainless steel, satin finished
- functional end made of high-quality polyamide in HEWI colours 98 (signal white), 99 (pure white), 92 (anthracite grey) or 90 (jet black)

**HEWI SENSORIC**

- Basic body
- Functional end

**950.06.155**

**HEWI SENSORIC Foam soap dispenser**

- do., to be filled with standard foam soap
- made of high-quality stainless steel, coated white

**805.06.155**

- do., made of high-quality stainless steel with satin surface finish
- functional end made of high-quality polyamide in HEWI colours 98 (signal white), 99 (pure white), 92 (anthracite grey) or 90 (jet black)

**950.06.135**

**HEWI SENSORIC Disinfectant dispenser**

- do., to be filled with standard disinfectant
- made of high-quality stainless steel, coated white

**805.06.135**

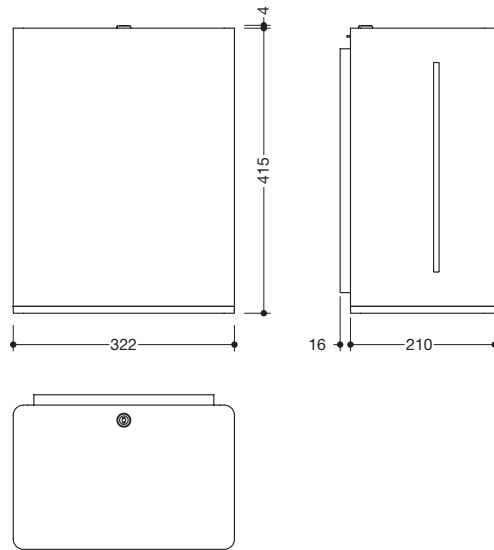
- do., made of high-quality stainless steel, satin finished
- functional end made of high-quality polyamide in HEWI colours 98 (signal white), 99 (pure white), 92 (anthracite grey) or 90 (jet black)

**HEWI Colours | Surfaces**



**900.06.E02**  
**900.06.E03**  
**900.06.E04**  
**805.06.E04**

**HEWI Empty container for 805/950.06.115**  
**HEWI Empty container for 805/950.06.135**  
**HEWI Empty container for 805/950.06.155**  
**HEWI Empty container for 805/950.06.150**



**HEWI SENSORIC**

- Basic body
- Functional end



- Basic body
- Functional end

**HEWI SENSORIC Paper roll dispenser**

- used to hold standard toilet rolls with outer feed, max. roll width 210 mm, max. roll ø 200 mm, tube ø 38 mm
- side level indicator
- easy paper roll replacement
- with battery change indicator
- locking system as protection against misuse
- maintenance-free
- 322 mm wide, 415 mm high, 226 mm deep
- for wall mounting

- batteries (D-Mono-LR20-1,5V/4 pcs.) not included
- can be converted to mains connection with 950.06.E01
- made of high-quality stainless steel, coated white
- opening made of high-quality, chrome-plated synthetic material
- including non-corrosive HEWI fixing material

**950.06.555**

- non-contact paper dispensing, integrated tear-off edge
- adjustable paper length (200, 300 or 450 mm)

**950.06.556**

- automatic paper dispensing at the washbasin after tearing off the paper
- paper length 250 mm

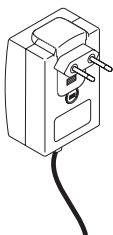
**805.06.555**

- do., made of high-quality stainless steel, satin finished
- opening made of high-quality polyamide in HEWI colours 98 (signal white), 99 (pure white), 92 (anthracite grey) or 90 (jet black)

**805.06.556**

- non-contact paper dispensing, integrated tear-off edge
- adjustable paper length (200, 300 or 450 mm)
- automatic paper dispensing at the washbasin after tearing off the paper
- paper length 250 mm

Please advise colour when ordering.



**950.06.E01**

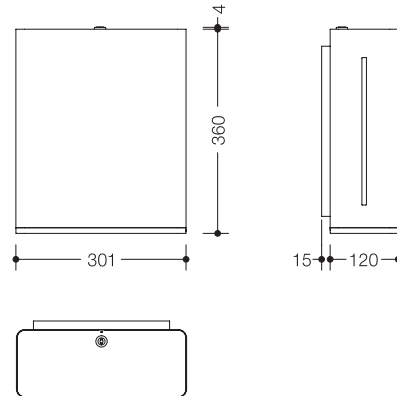
**HEWI Power supply for electronic paper towel dispenser**

- 100–240 V, 50/60 Hz, 0,8 A
- 1x plug - type C (CEE 7/16 Euro plug) for Europe, except UK, Ireland
- protection class 2
- cable length 1700 mm



Item Number

Dimensions in mm / Specification



- Basic body
- Functional end

**950.06.500**

**HEWI Paper towel dispenser**

- used to hold standard paper towels with different types of folds, 240 - 250 mm wide
- capacity approx. 300 - 450 paper towels
- side level indicator
- locking system as protection against misuse, for wall mounting
- 301 mm wide, 360 mm high and 135 mm deep
- made of high-quality stainless steel, coated white
- opening made of high-quality, chrome-plated synthetic material
- including non-corrosive HEWI fixing material

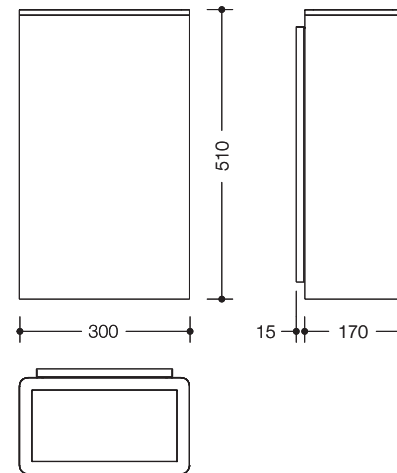


**805.06.500**

- do., made of high-quality stainless steel, satin finished
- opening made of high-quality polyamide in HEWI colours 98 (signal white), 99 (pure white), 92 (anthracite grey) or 90 (jet black)

- Basic body
- Functional end

Please advise colour when ordering.



- Basic body, lid if applicable
- Opening

**950.05.100**

**HEWI Waste paper bin**

- capacity approx. 25 l
- invisible, integrated bag holder, for wall mounting
- 300 mm wide, 510 mm high and 185 mm deep
- made of high-quality stainless steel, coated white
- opening made of high-quality, chrome-plated synthetic material
- including non-corrosive HEWI fixing material



**950.05.110**

- do., with lid with lifting flap

**805.05.100**

- do., made of high-quality stainless steel, satin finished
- opening made of high-quality polyamide in HEWI colours 98 (signal white), 99 (pure white), 92 (anthracite grey) or 90 (jet black)

- Basic body, lid if applicable
- Opening

**805.05.110**

- do., with lid with lifting flap

Please advise colour when ordering.

**HEWI Colours | Surfaces**



**950.05.E01**

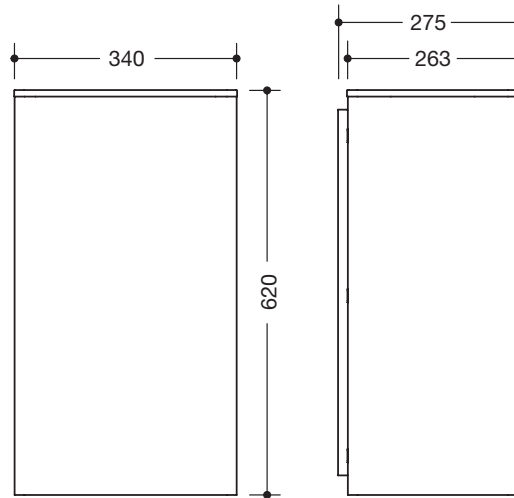
**805.05.E01**

**HEWI Lid with frame for 950.05.110**

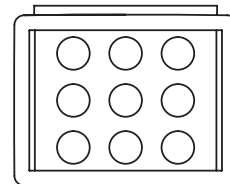
**HEWI Lid with frame for 805.05.110**

Item Number

Dimensions in mm / Specification



- Basic body
- Opening



**950.05.400**

**HEWI Waste paper bin**

- capacity approx. 60 l
- invisible, integrated bag holder
- 340 mm wide, 620 mm high and 275 mm deep
- for wall mounting
- container made of high-quality stainless steel, coated white
- opening made of high-quality, chrome-plated synthetic material
- including non-corrosive HEWI fixing material

**805.05.400**

- do., container made of high-quality stainless steel, satin finished
- opening made of high-quality polyamide in HEWI colours 98 (signal white), 99 (pure white), 92 (anthracite grey) or 90 (jet black)

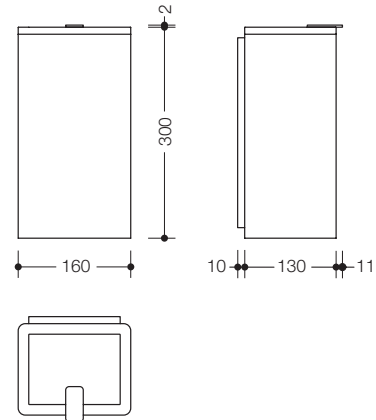
- Basic body
- Opening

Item Number

Dimensions in mm / Specification



- ☒ Basic body, lid
- Opening



950.05.200

**HEWI Hygiene waste bin**

- cubical body with recessed wall base panel
- for wall mounting, used as container for hygiene waste
- capacity approx. 6 l
- lid with lifting flap
- 160 mm wide, 300 mm high and 140 mm deep
- container and lid made of high-quality stainless steel, coated white
- opening made of high-quality, chrome-plated synthetic material
- including non-corrosive HEWI fixing material



- ☒ Basic body, lid
- ☐ ■ ■ Opening

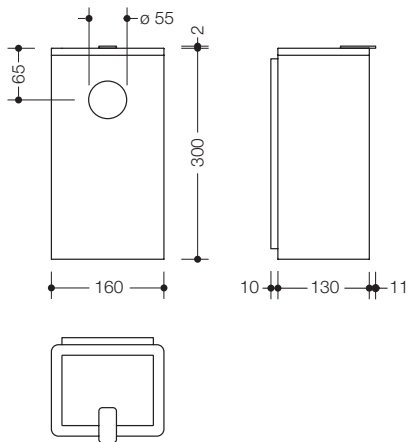
805.05.200

- do., container and lid made of high-quality stainless steel, satin finished
- opening made of high-quality polyamide in HEWI colours 98 (signal white), 99 (pure white), 92 (anthracite grey) or 90 (jet black)

Please advise colour when ordering.



- ☒ Basic body, lid
- Opening



950.05.210

**HEWI Hygiene combination**

- cubical body with recessed wall base panel
- for wall mounting, used as container for hygiene waste
- with integrated opening for a pack of hygiene bags
- capacity approx. 6 l
- invisible, integrated bag holder
- lid with lifting flap
- 160 mm wide, 300 mm high and 140 mm deep
- container and lid made of high-quality stainless steel, coated white
- opening made of high-quality, chrome-plated synthetic material
- including non-corrosive HEWI fixing material



- ☒ Basic body, lid
- ☐ ■ ■ Opening

805.05.210

- do., container and lid made of high-quality stainless steel, satin finished
- opening made of high-quality polyamide in HEWI colours 98 (signal white), 99 (pure white), 92 (anthracite grey) or 90 (jet black)

Please advise colour when ordering.

**HEWI Colours | Surfaces**



950.05.E03

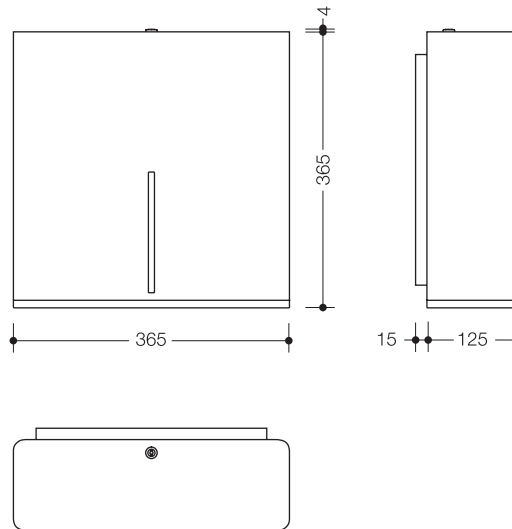
805.05.E03

**HEWI Lid with frame for 950.05.210**

**HEWI Lid with frame for 805.05.210**

Item Number

Dimensions in mm / Specification



- Basic body
- Functional end



950.21.600

**HEWI Large toilet roll holder**

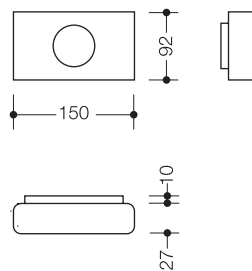
- cubical body with recessed wall base panel
- for holding a proprietary large toilet roll with  $\varnothing$  250 – 320 mm
- level indicator
- locking system as protection against misuse
- for wall mounting
- 365 mm wide, 365 mm high and 140 mm deep
- made of high-quality stainless steel, coated white
- functional end and outline edge made of high-quality, chrome-plated synthetic material
- including non-corrosive HEWI fixing material

805.21.600

- do., made of high-quality stainless steel, satin finished
- functional end and outline edge made of high-quality polyamide in HEWI colours 98 (signal white), 99 (pure white), 92 (anthracite grey) or 90 (jet black)

- Basic body
- Functional end

Please advise colour when ordering.



950.06.700

**HEWI Hygiene bag dispenser**

- cubical body with recessed wall base panel
- used to hold and remove proprietary hygiene bags made of synthetic material (max. package size L 130 x B 90 x H 20 mm)
- with reservoir for a spare pack of hygiene bags
- for wall mounting
- 150 mm wide, 92 mm high and 37 mm deep
- made of high-quality stainless steel, coated white
- including non-corrosive HEWI fixing material



805.06.700

- do., made of high-quality stainless steel, satin finished

- 

**HEWI Colours | Surfaces**

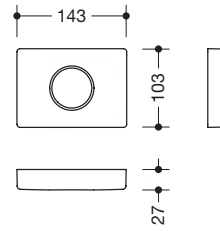
- 
- 98 99 92 90 Chr XA W

Item Number

Dimensions in mm / Specification



**950.06.750**



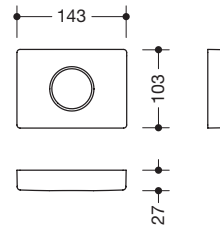
- Basic body
- Ring insert

**HEWI Hygiene bag dispenser**

- used to hold and remove proprietary hygiene bags made of synthetic material
- for wall mounting
- 143 mm wide, 103 mm high and 27 mm deep
- made of high-quality polyamide
- basic body made of high-quality polyamide in HEWI colour 98 (signal white)
- ring insert made of high-quality synthetic material, chrome-plated
- including non-corrosive HEWI fixing material



**800.06.75090**



- Basic body
- Ring insert

**HEWI Hygiene bag dispenser**

- used to hold and remove proprietary hygiene bags made of synthetic material
- for wall mounting
- 143 mm wide, 103 mm high and 27 mm deep
- made of high-quality polyamide
- including non-corrosive HEWI fixing material
- basic body and ring insert in HEWI colours 98 (signal white) and 99 (pure white)
- basic body in HEWI colour 98 (signal white)
- ring insert in HEWI colours 92 (anthracite grey) and 33 (ruby red)
- basic body in HEWI colour 99 (pure white)
- ring insert in HEWI colours 92 (anthracite grey) and 33 (ruby red)

Dispenser products

**HEWI colours (800 K)**

- 
- 98 99 92 33



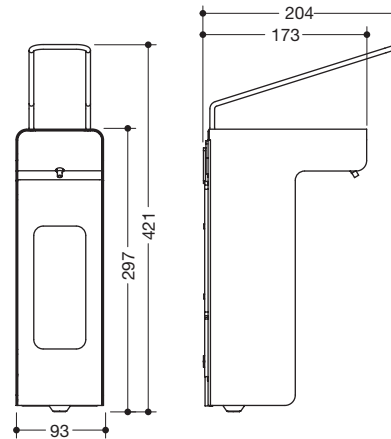
- Basic body
- Front cover



- 



**900.06.002XA**  
**900.06.00261**  
**900.06.00260**



**HEWI Disinfectant or soap dispenser 1000 ml**

- front cover made of high-quality stainless steel, with viewing window
- for dispensing controlled quantities of alcohol-based hand disinfectants or liquid soaps
- for 1000 ml Euro standard bottles
- the disposable bottle are easy to replace from the front
- dispenser with long lever, lockable
- dosing quantity adjustable in several steps: 0,7 ml, 1,0 ml, 1,2 ml, 1,5 ml (depending on the viscosity of the product)
- dosing pump made of stainless steel
- compatible with hygienic packaging (collapsing bottle with disposable pump)
- dispenser and pump dishwasher safe and autoclavable up to 134 °C, 3 bar
- 93 mm wide, 421 mm high, 204 mm deep
- incl. 1000 ml empty container for free refilling
- including non-corrosive HEWI fixing material
- basic body made of high-quality stainless steel, satin finished
- basic body made of high-quality stainless steel, white powder coated
- basic body and front cover made of high-quality stainless steel, powder-coated in HEWI colours DX (matt white), SC (matt dark grey pearl mica) and DC (matt black)



**900.06.E0660**

**HEWI Drip tray**

- for collecting disinfectant and soap
- suitable for HEWI disinfectant or soap dispensers 900.06.00260, 900.06.00261, 900.06.002XA and HEWI disinfectant or soap dispenser columns 900.06.01260 and 900.06.012XA
- to hang in the dispenser
- made of metal, powder-coated in HEWI colours DX (matt white), DC (matt black), AY (matt light grey pearl mica) and SC (matt dark grey pearl mica)
- 93 mm wide, 51 mm high and 107 mm deep



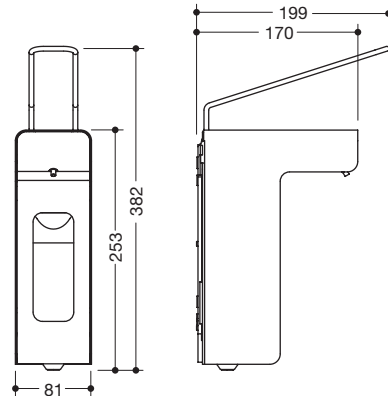


Item Number

Dimensions in mm / Specification



- Basic body
- Front cover



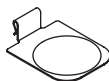
**900.06.003XA**  
**900.06.00361**  
**900.06.00360**

**HEWI Disinfectant or soap dispenser 500 ml**

- front cover made of high-quality stainless steel, with viewing window
- for dispensing controlled quantities of alcohol-based hand disinfectants or liquid soaps
- for 500 ml Euro standard bottles
- the disposable bottle are easy to replace from the front
- dispenser with long lever, lockable
- dosing quantity adjustable in several steps: 0,7 ml, 1,0 ml, 1,2 ml, 1,5 ml (depending on the viscosity of the product)
- dosing pump made of stainless steel
- compatible with hygienic packaging (collapsing bottle with disposable pump)
- dispenser and pump dishwasher safe and autoclavable up to 134 °C, 3 bar
- 81 mm wide, 382 mm high, 199 mm deep
- incl. 500 ml empty container for free refilling
- including non-corrosive HEWI fixing material

- basic body made of high-quality stainless steel, satin finished
- basic body made of high-quality stainless steel, white powder coated
- basic body and front cover made of high-quality stainless steel, powder-coated in HEWI colours DX (matt white), SC (matt dark grey pearl mica) and DC (matt black)

Dispenser products



**900.06.E0560**

**HEWI Drip tray**

- for collecting disinfectant and soap
- suitable for HEWI disinfectant or soap dispensers 900.06.00360, 900.06.00361 and 900.06.003XA
- to hang in the dispenser
- made of metal, powder-coated in HEWI colours DX (matt white), DC (matt black), AY (matt light grey pearl mica) and SC (matt dark grey pearl mica)
- 81 mm wide, 29 mm high and 107 mm deep

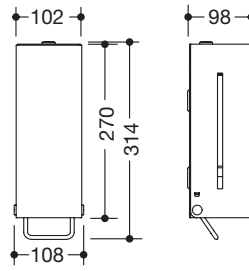


**HEWI Surfaces**

- ...60 DX matt white
- W XA  ...60 AY matt light grey pearl mica
- ...60 SC matt dark grey pearl mica
- ...60 DC matt black

Item Number

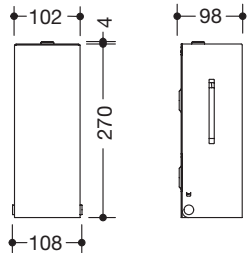
Dimensions in mm / Specification



**HEWI Soap dispenser**

- to be filled with standard liquid soap
- with inner container for free filling, capacity 600 ml
- inner container can be removed for cleaning, side level indicator
- for wall mounting, locking system as protection against misuse
- 102 mm wide, 270 mm high and 98 mm deep
- made of high-quality stainless steel
- including non-corrosive HEWI fixing material
- satin finished
- powder-coated in HEWI colours DX (matt white), SC (matt dark grey pearl mica) and DC (matt black)

900.06.004XA  
900.06.00460



**HEWI SENSORIC Soap dispenser**

- to be filled with standard liquid soap
- with inner container for free filling, capacity 500 ml
- inner container can be removed for cleaning, side level indicator
- non-contact soap dispensing, with battery change indicator
- illumination of the output area when the sensor is activated (blue light)
- for wall mounting, locking system as protection against misuse
- 102 mm wide, 270 mm high and 98 mm deep, maintenance-free
- batteries (AA 1,5 V/4 pcs.) not included in delivery
- made of high-quality stainless steel
- including non-corrosive HEWI fixing material

900.06.005XA  
900.06.00560



- satin finished
- powder-coated in HEWI colours DX (matt white), SC (matt dark grey pearl mica) and DC (matt black)

**HEWI SENSORIC Foam soap dispenser**

- do., to be filled with standard foam soap
- satin finished
- powder-coated in HEWI colours DX (matt white), SC (matt dark grey pearl mica) and DC (matt black)

900.06.007XA  
900.06.00760

**HEWI SENSORIC Disinfectant dispenser**

- do., to be filled with standard disinfectant
- disinfectant is dispensed as a spray
- satin finished
- powder-coated in HEWI colours DX (matt white), SC (matt dark grey pearl mica) and DC (matt black)

900.06.008XA  
900.06.00860

**HEWI Soap tank and soap pump for 900.06.005...**  
**HEWI Soap tank and foam pump for 900.06.007...**  
**HEWI Soap tank and spray pump for 900.06.008...**  
**HEWI Drip tray** see page 681

900.06.E02  
900.06.E04  
900.06.E03  
900.06.E0160



**HEWI SENSORIC**



**HEWI SENSORIC**

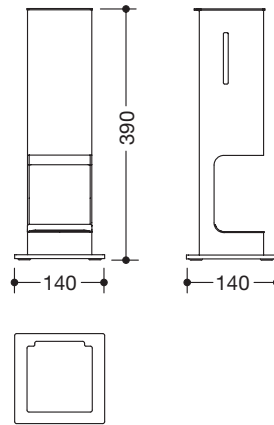


Item Number

Dimensions in mm / Specification



900.06.01560



**HEWI SENSORIC Disinfectant dispenser, upright model**

- to be filled with standard disinfectant
- incl. base plate in dispenser colour
- screw connection to the counter/table possible (anti-theft protection)
- non-contact disinfectant dispensing
- disinfectant is dispensed as a spray
- illumination of the output area when the sensor is activated (blue light)
- with inner container for free filling, capacity 500 ml
- side level indicator
- removable drip tray made of synthetic material and inlay in HEWI colour 90 (jet black)
- locking position for removing the pump or changing the battery
- 390 mm high, 140 mm deep, 140 mm wide, weight approx. 4 kg
- made of high-quality stainless steel, powder-coated in HEWI colours DX (matt white), SC (matt dark grey pearl mica) and DC (matt black)
- batteries (AA 1,5 V/4 pcs.) not included in delivery

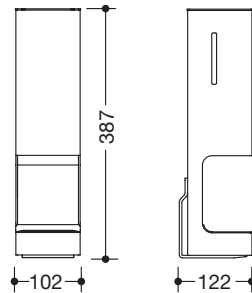
**HEWI SENSORIC**



Dispenser products



900.06.01660



**HEWI SENSORIC Disinfectant dispenser, wall model**

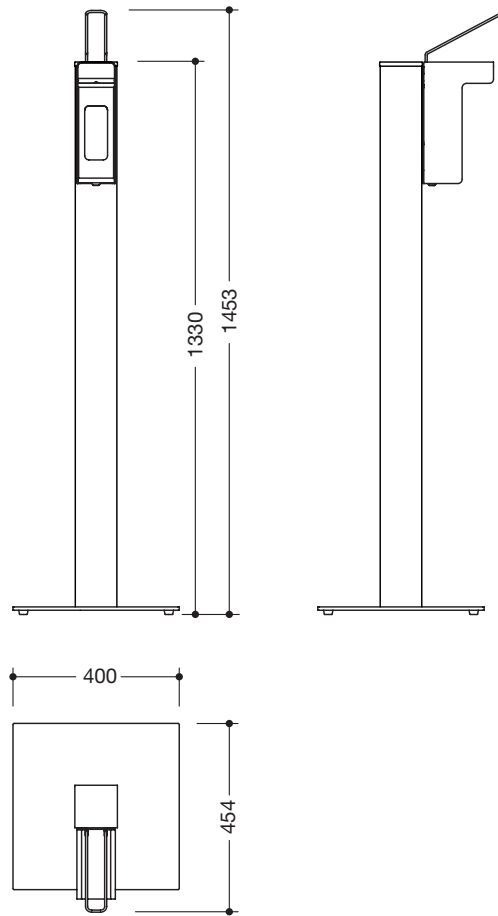
- to be filled with standard disinfectant
- non-contact disinfectant dispensing
- disinfectant is dispensed as a spray
- illumination of the output area when the sensor is activated (blue light)
- with inner container for free filling, capacity 500 ml
- side level indicator, for wall mounting
- removable drip tray made of synthetic material and inlay in HEWI colour 90 (jet black)
- locking position for removing the pump or changing the battery
- 387 mm high, 122 mm deep, 102 mm wide, weight approx. 4 kg
- made of high-quality stainless steel, powder-coated in HEWI colours DX (matt white), SC (matt dark grey pearl mica) and DC (matt black)
- including non-corrosive HEWI fixing material
- batteries (AA 1,5 V/4 pcs.) not included in delivery

**HEWI SENSORIC**



**HEWI Surfaces**

- ...60 DX matt white
- ...60 SC matt dark grey pearl mica
- ...60 DC matt black



- Basic body
- Front cover



**HEWI Disinfectant dispenser column**

- comprising disinfectant dispenser and column
- column with angular base body
- contains the disinfectant dispenser 900.06.002...
- front cover made of high-quality stainless steel, with viewing window
- for dispensing hand disinfectants containing alcohol or liquid soaps
- for 1000 ml Euro standard bottles
- the disposable bottle are easy to replace from the front
- dispenser with long lever, lockable
- dosing quantity adjustable in several steps: 0,7 ml, 1,0 ml, 1,2 ml, 1,5 ml (depending on the viscosity of the product)
- dosing pump made of stainless steel
- compatible with hygienic packaging (collapsing bottle with disposable pump)
- dispenser and pump dishwasher safe and autoclavable up to 134 °C, 3 bar
- incl. 1000 ml empty container for free refilling
- set: 1453 mm high, 454 mm deep, 400 mm wide
- including non-corrosive HEWI fixing material

900.06.012XA

- column made of high-quality stainless steel, satin finished, weight approx. 21 kg
- dispenser made of high-quality stainless steel, satin finished, front cover white powder coated

900.06.01260

- column made of aluminum, with steel base, powder-coated, weight approx. 15 kg
- basic body and dispenser front cover made of high-quality stainless steel, powder-coated in HEWI colours DX (matt white), SC (matt dark grey pearl mica) and DC (matt black)



900.06.E0660

**HEWI Drip tray**

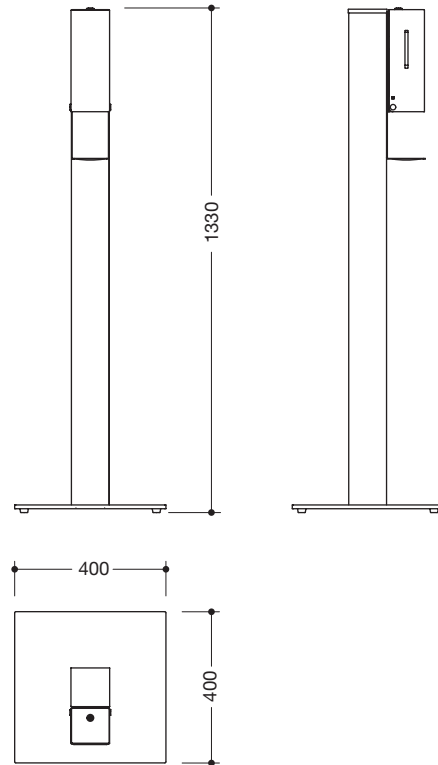
Item Number

Dimensions in mm / Specification



**HEWI SENSORIC**

- Basic body
- Drip tray



**HEWI SENSORIC**



900.06.013XA

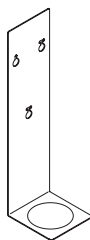
900.06.01360

**HEWI SENSORIC Disinfectant dispenser column**

- comprising disinfectant dispenser, drip tray and column
- column with angular base body
- contains the disinfectant dispenser 900.06.008...
- with inner container for free filling, capacity 500 ml
- inner container can be removed for cleaning, side level indicator
- non-contact disinfectant dispensing, with battery change indicator
- disinfectant is dispensed as a spray
- illumination of the output area when the sensor is activated (blue light)
- locking system as protection against misuse, maintenance-free
- drip tray serves to collect dripping disinfectant
- set: 1330 mm high, 400 mm deep, 400 mm wide
- including non-corrosive HEWI fixing material
- batteries (AA 1,5 V/4 pcs.) not included in delivery

- column made of high-quality stainless steel, satin finished, weight approx. 21 kg
- dispenser made of high-quality stainless steel, satin finished
- drip tray powder-coated in HEWI colour AY (matt light grey pearl mica)
- column made of aluminum, with steel base, powder-coated, weight approx. 15 kg
- dispenser and drip tray made of high-quality stainless steel, powder-coated in HEWI colours DX (matt white), SC (matt dark grey pearl mica) and DC (matt black)

900.06.E0160

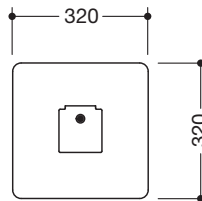
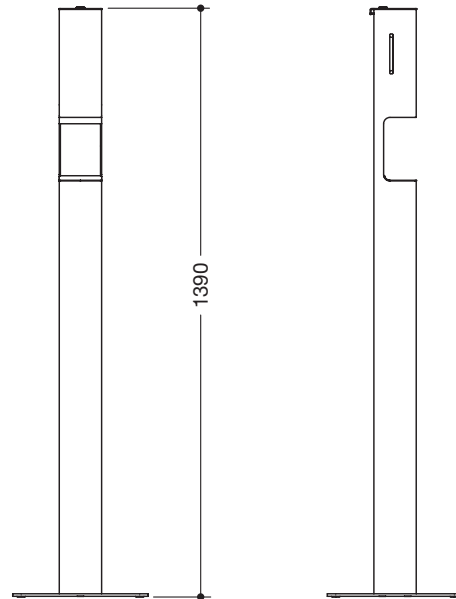
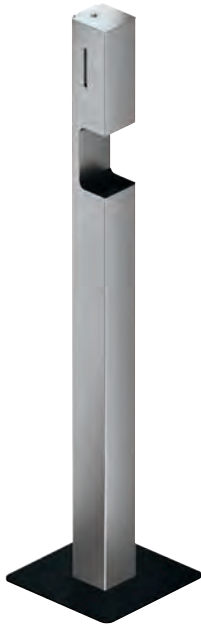


**HEWI Drip tray**

- serves to collect dripping disinfectant
- suitable for disinfectant dispenser column 900.06.013..., disinfectant dispensers 900.06.008..., soap dispensers 900.06.005... and foam soap dispensers 900.06.007...
- 96 mm wide, 373 mm high and 102 mm deep
- fixed in place using the dispenser fixing points
- made of high-quality stainless steel, powder-coated in HEWI colours DX (matt white), AY (matt light grey pearl mica), SC (matt dark grey pearl mica) and DC (matt black)

**HEWI Surfaces**

- ...60 DX matt white
- W XA   ...60 AY matt light grey pearl mica
- ...60 SC matt dark grey pearl mica
- ...60 DC matt black



HEWI SENSORIC

- Basic body
- Drip tray, base plate



HEWI SENSORIC

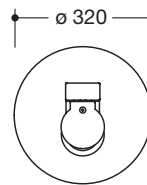
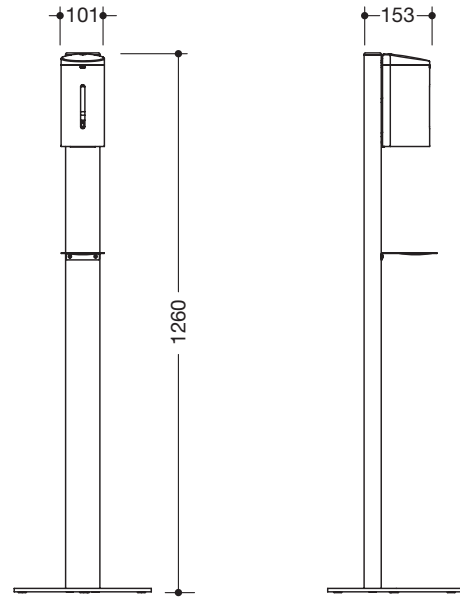


900.06.014XA

900.06.01460

**HEWI SENSORIC Disinfectant dispenser column**

- comprising column with integrated sensor dispenser
- column with angular base body
- with inner container for free filling, capacity 500 ml
- inner container can be removed for cleaning
- level indicator at the side
- non-contact disinfectant dispensing
- disinfectant is dispensed as a spray
- illumination of the output area when the sensor is activated (blue light)
- with battery change indicator
- maintenance-free
- removable drip tray made of synthetic material in HEWI colour 90 (jet black) serves to collect dripping disinfectant
- lockable lid which can be opened for refilling
- locking position for removing the pump or changing the battery
- 320 mm wide, 1390 mm high and 320 mm deep, weight approx. 18 kg
- batteries (AA 1,5 V/4 pcs.) not included in delivery
- made of high-quality stainless steel, satin finished
- base plate powder-coated in HEWI colour DC (matt black)
- made of high-quality stainless steel, powder-coated in HEWI colours DX (matt white), SC (matt dark grey pearl mica) and DC (matt black)



**HEWI SENSORIC**

- Dispenser
- Basic body



**HEWI SENSORIC Disinfectant dispenser column basic**

- comprising disinfectant dispenser, drip tray and column
- to be filled with standard liquid soap, disinfectants and gels
- column made of aluminum with angular base body, black powder-coated
- 1260 mm high, base plate  $\varnothing$  320 mm, weight approx. 8 kg
- dispenser with cylindrical body
- with inner container for free filling, capacity 650 ml
- frontale level indicator
- non-contact disinfectant dispensing
- locking system as protection against misuse
- with drip tray serves to collect dripping disinfectant
- battery operation with AA 1,5 V / 6 pieces (initial batteries included in delivery)

**950.06.103XA**

- with disinfectant dispenser 950.06.102XA
- dispenser made of high-quality stainless steel, satin finished

**950.06.10301**

- with disinfectant dispenser 950.06.10201
- dispenser made of high-quality stainless steel, matt black powder-coated

**HEWI SENSORIC**

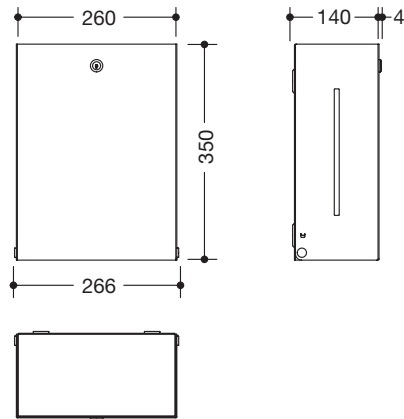


**HEWI Surfaces**

- ...60 DX matt white
- XA  ...60 SC matt dark grey pearl mica
- ...60 DC matt black

Item Number

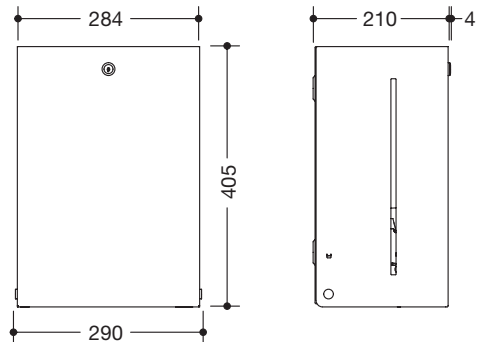
Dimensions in mm / Specification



900.06.009XA  
900.06.00960

**HEWI Paper towel dispenser**

- to hold standard paper towels with different folds in the width 235 - 250 mm and folded length / depth of 80 - 110 mm (HEWI recommends paper towels with Z-fold)
- capacity approx. 300 - 450 paper towels
- side level indicator
- locking system as protection against misuse
- 260 mm wide, 350 mm high and 140 mm deep
- for wall mounting
- made of high-quality stainless steel
- including non-corrosive HEWI fixing material
- satin finished
- powder-coated in HEWI colours DX (matt white), SC (matt dark grey pearl mica) and DC (matt black)



900.06.010XA  
900.06.01060

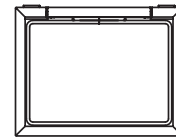
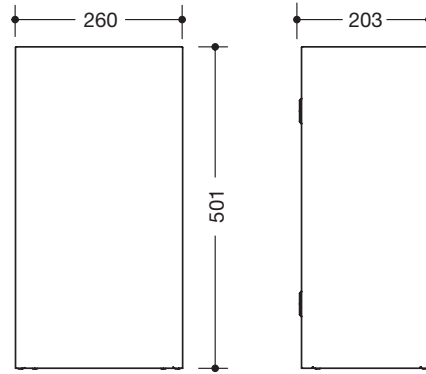
**HEWI Electronic paper roll dispenser**

- to hold standard paper rolls with external unwinding, max. roll width 210 mm, max. roll diameter 200 mm, sleeve diameter 38 mm
- side level indicator, easy paper roll replacement
- with battery change indicator
- automatic paper output at the washbasin after the paper has been torn off, integrated tear-off edge
- locking system as protection against misuse, maintenance-free
- 284 mm wide, 405 mm high and 210 mm deep
- for wall mounting
- made of high-quality stainless steel
- including non-corrosive HEWI fixing material
- batteries (D-Mono-LR20-1,5 V/4 pcs.) not included in delivery
- can be converted to mains connection with 950.06.E01
- satin finished
- powder-coated in HEWI colours DX (matt white), SC (matt dark grey pearl mica) and DC (matt black)



Item Number

Dimensions in mm / Specification

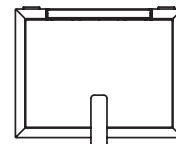
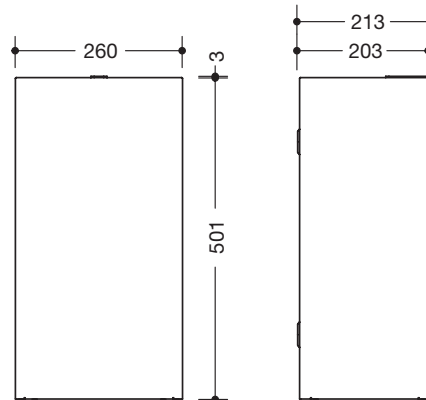


**900.05.001XA**  
**900.05.00160**

**HEWI Waste paper bin**

- capacity approx. 25 l
- invisible, integrated bag holder with pull-out function for easy insertion and removal of the bag
- 260 mm wide, 501 mm high and 203 mm deep
- for wall mounting
- made of high-quality stainless steel
- including non-corrosive HEWI fixing material

- satin finished
- powder-coated in HEWI colours DX (matt white), SC (matt dark grey pearl mica) and DC (matt black)



**900.05.002XA**  
**900.05.00260**

**HEWI Waste paper bin**

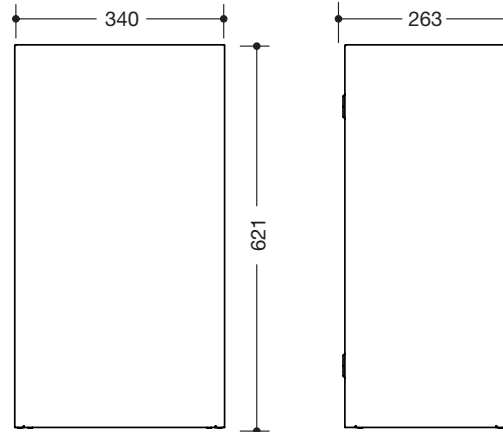
- do., with lid
- satin finished
- powder-coated in HEWI colours DX (matt white), SC (matt dark grey pearl mica) and DC (matt black)

**HEWI Surfaces**

- ☒ ...60 DX matt white
- XA ☐ ...60 SC matt dark grey pearl mica
- ...60 DC matt black

Item Number

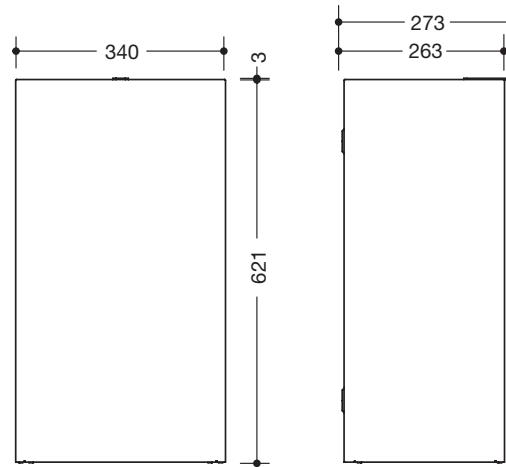
Dimensions in mm / Specification



**HEWI Waste paper bin**

- capacity approx. 60 l
- invisible, integrated bag holder with pull-out function for easy insertion and removal of the bag
- 340 mm wide, 621 mm high and 263 mm deep
- for wall mounting
- made of high-quality stainless steel
- including non-corrosive HEWI fixing material
- satin finished
- powder-coated in HEWI colours DX (matt white), SC (matt dark grey pearl mica) and DC (matt black)

900.05.003XA  
900.05.00360



**HEWI Waste paper bin**

- do., with lid
- satin finished
- powder-coated in HEWI colours DX (matt white), SC (matt dark grey pearl mica) and DC (matt black)

900.05.004XA  
900.05.00460

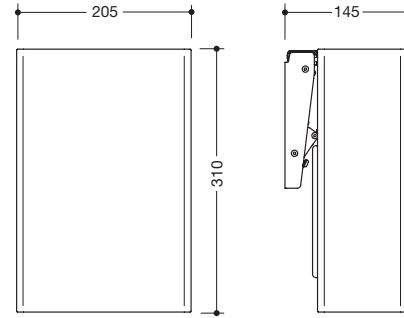


Item Number

Dimensions in mm / Specification



900.05.000XA  
900.05.00060

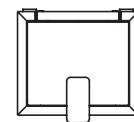
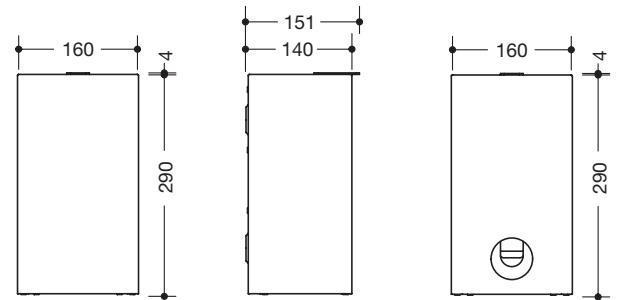


**HEWI Waste bin, operation by knee**

- hygiene waste bin with hinged lid made of high-quality stainless steel
- removable
- lid can be opened by lightly pressing the knee against the bin, with soft-close
- with self-adhesive label with instructions for knee operation
- invisible, integrated bag holder
- only suitable for wall mounting
- capacity approx. 6 l
- 205 mm wide, 310 mm high and 145 mm deep
- including non-corrosive HEWI fixing material
- satin finished
- powder-coated in HEWI colours DX (matt white), SC (matt dark grey pearl mica) and DC (matt black)



900.05.005XA  
900.05.00560



**HEWI Hygiene waste bin**

- capacity approx. 6l, for wall mounting
- invisible, integrated bag holder with pull-out function for easy insertion and removal of the bag
- lid with lifting flap
- 160 mm wide, 290 mm high and 140 mm deep
- made of high-quality stainless steel
- including non-corrosive HEWI fixing material

- satin finished
- powder-coated in HEWI colours DX (matt white), SC (matt dark grey pearl mica) and DC (matt black)

**HEWI Hygiene combination**

- do., with integrated holder for standard hygiene bags made of synthetic material (max. package size L 130 x B 90 x H 20 mm)

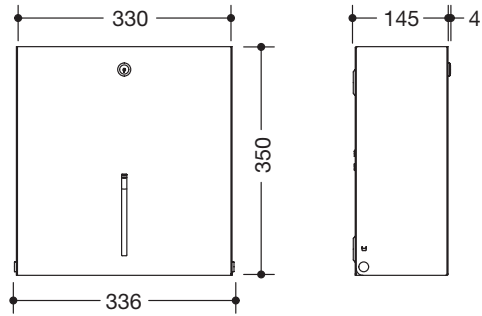
- satin finished
- powder-coated in HEWI colours DX (matt white), SC (matt dark grey pearl mica) and DC (matt black)



900.05.006XA  
900.05.00660

**HEWI Surfaces**

- ☒ ...60 DX matt white
- XA ☐ ...60 SC matt dark grey pearl mica
- ...60 DC matt black

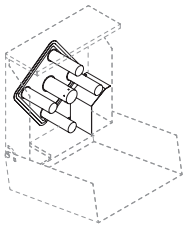


**HEWI Large toilet roll holder**

- for holding a standard large toilet roll in diameters from 250 - 320 mm
- level indicator at the front
- for wall mounting, locking system as protection against misuse
- 330 mm wide, 350 mm high and 145 mm deep
- made of high-quality stainless steel
- tear-off edge made of stainless steel
- extension possible with carousel 900.21.E01
- including non-corrosive HEWI fixing material

900.21.001XA  
900.21.00160

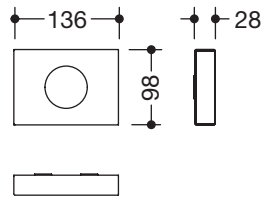
- satin finished
- powder-coated in HEWI colours DX (matt white), SC (matt dark grey pearl mica) and DC (matt black)



900.21.E01

**HEWI Carousel**

- for conversion from large toilet roll holder to quadruple toilet roll holder
- optionally available



**HEWI Hygiene bag dispenser**

- holds and dispenses proprietary hygiene bags made of synthetic material (max. package size L 130 x B 90 x H 20 mm)
- for wall mounting
- 136 mm wide, 98 mm high and 28 mm deep
- made of high-quality stainless steel
- including non-corrosive HEWI fixing material

900.06.011XA  
900.06.01160

- satin finished
- powder-coated in HEWI colours DX (matt white), SC (matt dark grey pearl mica) and DC (matt black)

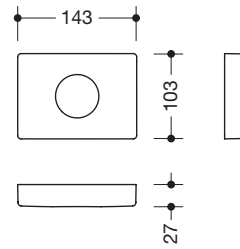


Item Number

Dimensions in mm / Specification



**950.06.75050**

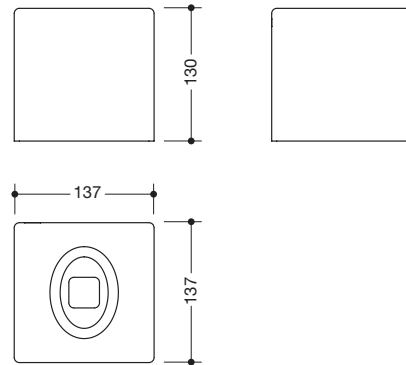


**HEWI Hygiene bag dispenser**

- used to hold and remove proprietary hygiene bags made of synthetic material
- for wall mounting
- 143 mm wide, 103 mm high and 27 mm deep
- made of polyamide with high-quality chrome-optical coating
- including non-corrosive HEWI fixing material



**950.06.21040**  
**950.06.21001**



**HEWI Paper tissue dispenser**

- free-standing, square container with removal slot
- holds standard cosmetic tissues
- the hood can be removed for fillingn
- 137 mm wide, 130 mm high and 137 mm deep
- made of synthetic material
- chrome-plated
- matt black coated

Dispenser products

**HEWI Surfaces**

- ■ ...60 DX matt white
- XA Chr ■ ...60 SC matt dark grey pearl mica
- ...60 DC matt black



# Universal products

### PRODUCT CHARACTERISTICS

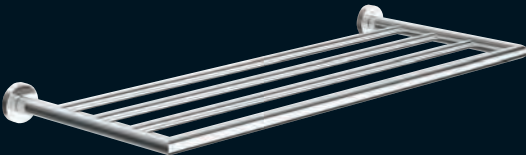
- Useful, functional utensils such as hairdryers or handheld shower heads
- Easy-care, robust material
- Can be combined with all HEWI sanitary systems
- Many products are available with surfaces optionally high-quality chrome-plated or matt black

### RECOMMENDED APPLICATION AREAS

Home, Hotel

### ACCESSORIES

Product range	692 – 693
Dispenser products	694 – 695
Waste bins	696
Side trolley	697
Cosmetic mirrors	697 – 698
Hairdryers	698 – 699
Hooks, bath towel shelves	700
Shower baskets	701
Hand showers, shower hoses	702 – 704



Universal-  
produkte

SURFACES

- Chrome
- Stainless steel, satin finished (XA)
- Stainless steel, polished (XC)
- Matt silver (S)

- Matt white (W)
- Matt black (S)
- ...60 VR chrome | high-gloss white
- ...60 JK chrome | matt black

ACCESSORIES



**Soap dispenser with holder**  
950.06.100... page 694

- 



**Soap dispenser**  
950.06.101... page 694

- 



**Electronic disinfectant and soap dispenser**  
950.06.102... | HEWI SENSORIC p. 695

- 



**Paper tissue dispenser**  
950.06.210... page 695

- 



**Waste bin, 3 l**  
950.05.305... page 696

- 



**Waste bin, 5 l**  
950.05.315... page 696

- 



**Side trolley**  
950.74.00060 page 697

- Frame
- Shelves



**Cosmetic mirror**  
950.01.230... page 697

- 



**Cosmetic mirror**  
950.01.260... page 698

- 



**Hairdryer**  
950.08.100 page 698

- Holder, handle
- Base



**Hairdryer**  
950.08.101 page 699

- Holder, handle
- Base



**Hairdryer**  
950.08.102 | 103 page 699

- 



**Single hook | Double hook**  
950.90...50 page 700

- 



**Bath towel shelf**  
950.30.11040 page 700

- 



**Shower basket**  
900.03.001... page 701

- Holder\*
- Insert\*



**Shower basket**  
900.03.002... page 701

- Holder\*
- Insert\*



- 98 (signal white)
- 99 (pure white)
- Satin crystal glass



**Disinfectant dispenser column Basic**  
950.06.103... | HEWI SENSORIC® p. 683



**Hand shower**  
950.33.E03... page 702



**Shower hose**  
950.33.E056 | 1250 mm page 703  
950.33.E05... | 1600 mm page 703  
950.33.E05... | 2000 mm page 703



**Set hand shower + shower hose**  
950.33.E070 page 703  
950.33.E073 page 703



Design elements



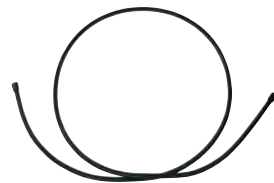
**Set hand shower + shower hose**  
950.33.E071 page 704  
950.33.E074 page 704



**Set hand shower + shower hose**  
950.33.E072 page 704  
950.33.E075 page 704



**New Hand shower**  
950.33.E076 page 702



**New Shower hose**  
950.33.E077 page 703  
950.33.E078 page 703



**New Set hand shower + shower hose**  
950.33.E079 page 704  
950.33.E078 page 704



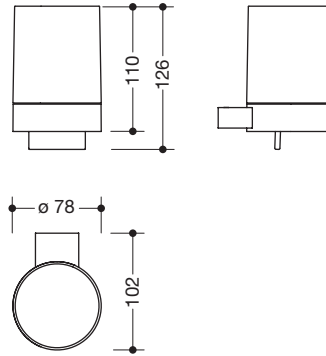
\*HEWI Material combinationen see page 190



AS ER CV

Item Number

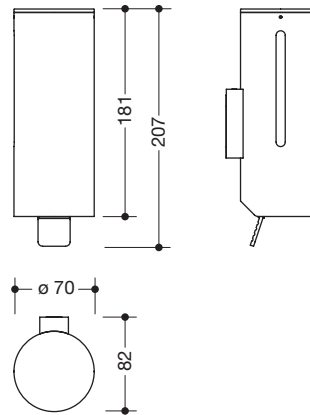
Dimensions in mm / Specification



**HEWI Soap dispenser with holder**

- serves to hold commercially available liquid soap, disinfectants and gels
- ring-shaped wall bracket made of metal
- slip-on cup in satin-finish glass
- inner container made of synthetic material, white
- 126 mm high, 102 mm deep,  $\varnothing$  78 mm
- with operating lever
- capacity approx 150 ml
- for wall mounting, concealed fixing
- including non-corrosive HEWI fixing material
- high-quality chrome-plated
- matt black powder-coated

950.06.10040  
950.06.10001



**HEWI Disinfectant / soap dispenser for wall mounting**

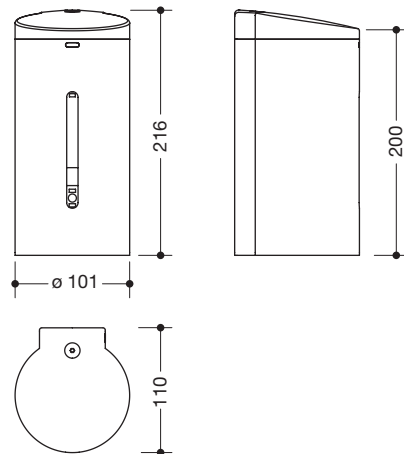
- serves to hold commercially available liquid soap, disinfectants and gels
- with inner container for free filling, capacity 300 ml
- level indicator at the side
- locking system as protection against misuse
- 207 mm high, 82 mm deep,  $\varnothing$  70 mm
- for wall mounting
- made of high-quality stainless steel
- high-quality chrome-plated
- matt black powder-coated

950.06.10140  
950.06.10101



Item Number

Dimensions in mm / Specification



**HEWI SENSORIC Disinfectant and soap dispenser**

- serves to hold commercially available liquid soap, disinfectants and gels
- with inner container for free filling, capacity 650 ml
- frontale level indicator
- non-contact disinfectant dispensing
- locking system as protection against misuse
- 216 mm high and 110 mm deep, diameter 101 mm
- for wall mounting
- made of high-quality stainless steel
- including non-corrosive HEWI fixing material
- battery operation with AA 1,5 V / 6 pieces (initial batteries included in delivery)
- satin finished
- matt black powder-coated

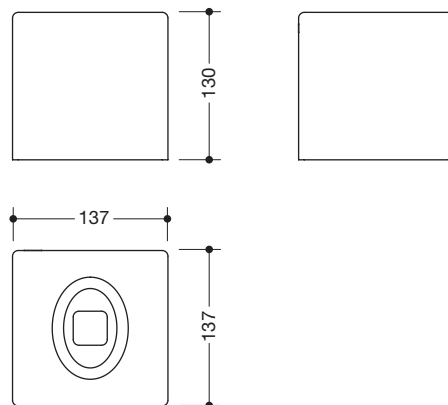
**HEWI SENSORIC**



950.06.102XA  
950.06.10201

950.06.103...

**HEWI Disinfectant dispenser column** see page 683



**HEWI Paper tissue dispenser**

- free-standing, square container with removal slot
- holds standard cosmetic tissues
- the hood can be removed for filling
- 137 mm wide, 130 mm high and 137 mm deep
- made of synthetic material
- chrome-plated
- matt black coated



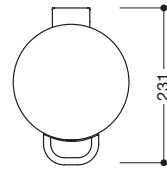
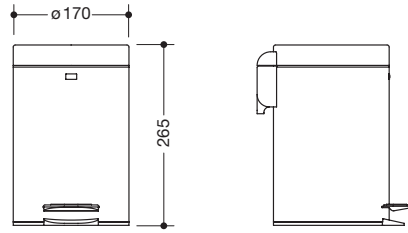
950.06.21040  
950.06.21001

**HEWI Colours | Surfaces**

■   
S XA Chr

Item Number

Dimensions in mm / Specification

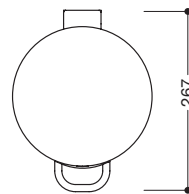
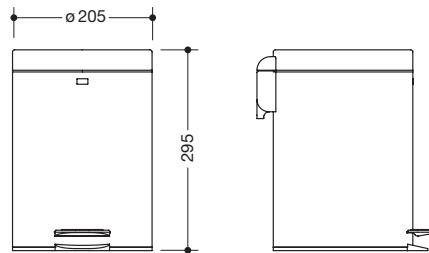


**HEWI Waste bin**

- cylindrical body with lid and foot pedal
- capacity 3 l
- with removable black inner bin made of synthetic material
- lid with soft close function
- floor standing, operated via foot pedal
- $\varnothing$  170 mm, 265 mm high and 230 mm deep
- made of stainless steel

- highly polished
- matt black coated
- matt white coated

950.05.30540  
950.05.30501  
950.05.30502



**HEWI Waste bin**

- cylindrical body with lid and foot pedal
- capacity 5 l
- with removable black inner bin made of synthetic material
- lid with soft close function
- floor standing, operated via foot pedal
- $\varnothing$  205 mm, 295 mm high and 266 mm deep
- made of stainless steel

- highly polished
- matt black coated
- matt white coated

950.05.31540  
950.05.31501  
950.05.31502



**HEWI Surfaces**

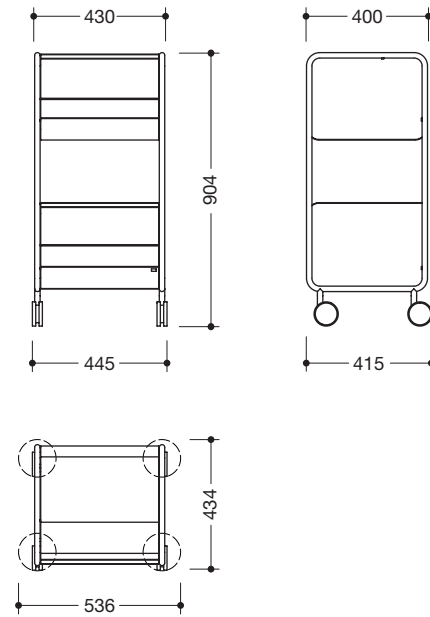
■ ☒ ◻ ◻  
S W Chr XC

Item Number

Dimensions in mm / Specification



950.74.00060



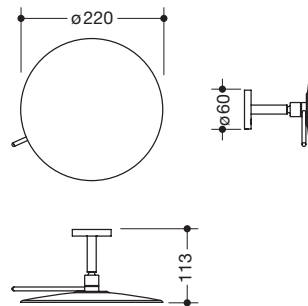
**HEWI Side trolley**

- single unit in shelf form with castors
- flexible and cross-range product for bathroom and adjoining living area
- 3 shelves, 2 of which have a back panel
- 430 mm wide, 904 mm high and 400 mm deep
- frame made of metal, high-quality chrome-plated
- with 4 chrome-plated castors for flexible use, 2 of which can be locked
- shelves made of metal, high-quality powder-coated
- available in colour combination DC (frame, shelves and castors matt black), VR (frame and castors chrome, shelf surfaces high-gloss white) or JK (frame and castors chrome, shelf surfaces matt black)

Please advise colour combination when ordering.



950.01.23040  
950.01.23001



**HEWI Cosmetic mirror**

- framed in a chrome-plated metal frame
- 3-fold magnification
- mirror and mirror surface  $\varnothing$  220 mm
- on straight arm, movable, length 55 mm
- total depth 113 mm
- for wall mounting, concealed 3-point fixing
- wall connection  $\varnothing$  60 mm, 10 mm deep
- including non-corrosive HEWI fixing material

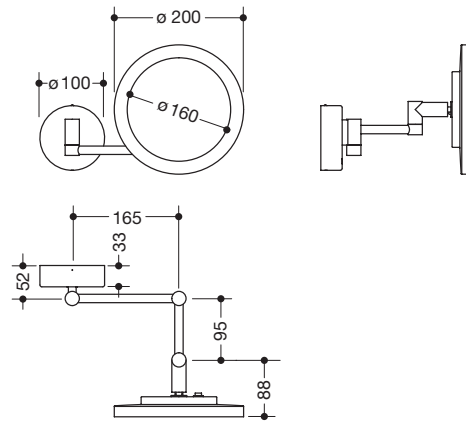
- chrome-plated
- matt black coated

**HEWI Powder coating | Material combinations with chrome**

- ...60 VR chrome | high-gloss white
- ...60 JK chrome | matt black
- ...60 DC black deepmatt

Item Number

Dimensions in mm / Specification

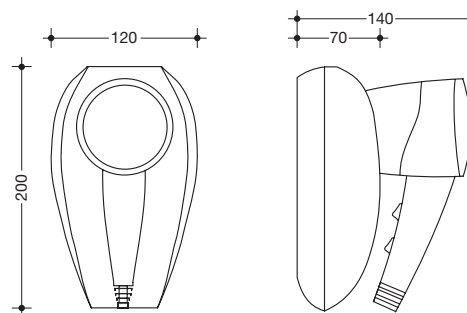


**HEWI Cosmetic mirror, illuminated**

- LED-lighting, all-round, 20 mm wide
- mirror concave on one side, 5-fold magnification
- mirror  $\varnothing$  200 mm, rotatable and tiltable
- Flex-LED 12 V, approx. 3 watt
- two light colours, adjustable, warm white approx. 3000 kelvin or cold white approx. 5700 kelvin
- mirror surface  $\varnothing$  160 mm, in a chrome-plated metal frame
- on double hinged arm, mounting allows movement, length 400 mm
- direct connection without cable 220-240 V
- on and off switch behind the mirror
- energy efficiency class A++, A+, A to Regulation (EG) 874/2012
- for wall mounting, concealed 3-point fixing
- wall connection  $\varnothing$  100 mm, approx. 33 mm deep
- including non-corrosive HEWI fixing material
- suitable for power supplies with voltages between 100 and 240 V and grid frequencies of between 50 and 60 Hz
- protection class I, rating IP44

- 950.01.26001
- 950.01.26002
- 950.01.26040

- matt black coated
- matt white coated
- chrome-plated, approx. 4,5 watt, voltages between 200 and 240 V



950.08.100

**HEWI Hairdryer**

- hand-hairdryer, chrome-white design
- with concentrator nozzle, 2 air speeds
- switch with 3 switching steps (0-600W-1300W)
- continuous pushing of rocker switch necessary to operate the hairdryer
- wall bracket made of high-quality synthetic material, white
- designed with a universal shavings plug socket 115/230 V
- for wall mounting, power plug
- spiral cable 0,4 m, extendible up to 1,60 m
- wall bracket 200 mm high, 120 mm wide, 70 mm deep (without hairdryer)
- depth with hairdryer 140 mm
- including non-corrosive HEWI fixing material

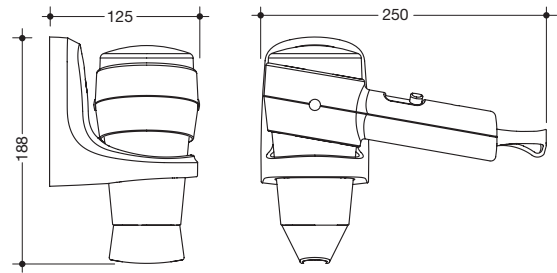
- Holder, handle
- Nozzle

Item Number

Dimensions in mm / Specification



950.08.101



**HEWI Hairdryer**

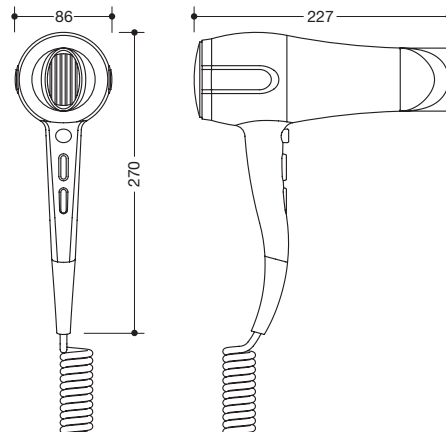
- hand-hairdryer, chrome-black design
- with concentrator nozzle
- switch with 3 heat settings up to max. 1600 watt
- 2 air speeds
- cold air button
- with safety wall bracket made of high-quality synthetic material, black
- wall bracket with night light, mains disconnecter and overheating safety cutout
- for wall mounting, direct connection 230 V
- wall bracket 88 mm wide and 122 mm high
- including non-corrosive HEWI fixing material

- Holder, handle
- Nozzle



950.08.102

950.08.103



**HEWI Hairdryer**

- hotel safety hair dryer by Emberton, 2000 watt
- made of ABS, with high-quality soft-touch surface, matt black
- dual-safe technology, with hair-styling nozzle
- safety button prevents permanent use
- safety thermostat (overheating protection)
- 2 air speeds, 2 heat levels and one cold air level
- detachable filter cover for easy cleaning
- elastic spiral cable that can be extended from 0,5 - 2,5 m
- integrated hanging hook
- CE symbol, GS symbol, ROHS certificate
- suitable for power supplies with voltages between 220 and 240 V and grid frequencies of between 50 and 60 Hz
- can be combined with HEWI hair dryer holder 900.00.000... (s. p. 212)
- plug type: EU
- plug type: UK

**HEWI Colours | Surfaces**

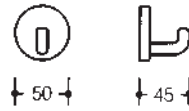
- ☒ ■ □
- W S Chr

Item Number

Dimensions in mm / Specification



950.90.01050



**HEWI Single hook**

- concealed screw fitting to prevent unauthorised removal
- 45 mm deep, rose  $\varnothing$  50 mm
- made of chrome-look coated polyamide, warm to touch

Supplied without screws and plugs.

chrome-look coated



950.90.02550

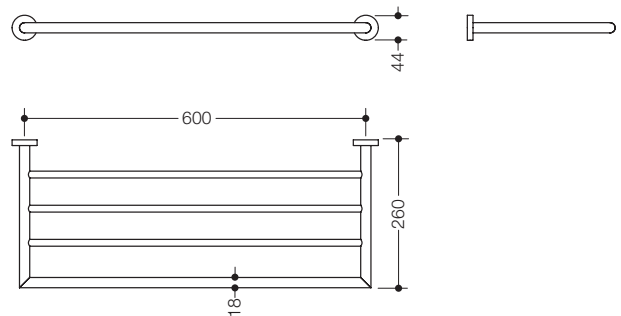


**HEWI Double hook**

- concealed screw fitting to prevent unauthorised removal
- 44 mm deep, rose  $\varnothing$  50 mm
- made of chrome-look coated polyamide, warm to touch

Supplied without screws and plugs.

chrome-look coated



950.30.11040

950.30.11001

**HEWI Bath towel shelf**

- made of brass tube, mitred joined
- 618 mm wide, 260 mm deep, tube  $\varnothing$  18 mm
- for wall mounting, concealed fixing
- including non-corrosive HEWI fixing material

- high-quality chrome-plated
- matt black coated



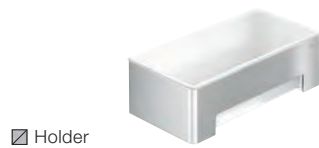
**HEWI Surfaces**

■ S Chr

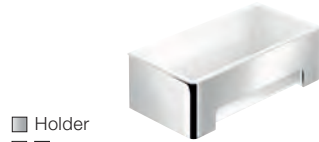


Item Number

Dimensions in mm / Specification



☒ Holder  
☒ ■ Insert

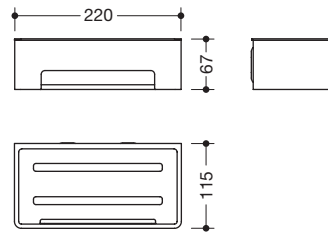


■ Holder  
☒ ■ Insert



■ ■ Holder  
☒ ■ ■ Insert

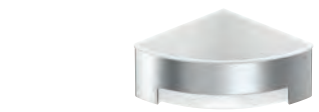
**900.03.001XA**  
**900.03.00140**  
**900.03.00160**



**HEWI Shower basket**

- made of high-quality stainless steel, for wall mounting
- insert made of high-quality synthetic material in HEWI colours 98 (signal white), 92 (anthracite grey) and 90 (jet black)
- 220 mm wide, 67 mm high and 115 mm deep
- including non-corrosive HEWI fixing material
- satin finished
- chrome-plated
- powder-coated in HEWI colours AS (matt white) and AX (matt light grey pearl mica) with insert made of matt white polyamide or powder-coated in HEWI colours CV (matt black) and ER (matt dark grey pearl mica) with insert made of matt black polyamide

Please advise colour of insert resp. colour combination when ordering.



☒ Holder  
☒ ■ Insert

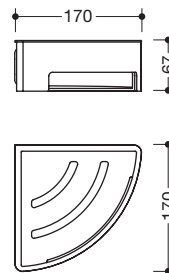


■ Holder  
☒ ■ Insert



■ ■ Holder  
☒ ■ ■ Insert

**900.03.002XA**  
**900.03.00240**  
**900.03.00260**



**HEWI Shower basket**

- made of high-quality stainless steel, for wall mounting
- insert made of high-quality synthetic material in HEWI colours 98 (signal white), 92 (anthracite grey) and 90 (jet black)
- 67 mm high, side lengths 170 mm
- including non-corrosive HEWI fixing material
- satin finished
- chrome-plated
- powder-coated in HEWI colours AS (matt white) and AX (matt light grey pearl mica) with insert made of matt white polyamide or powder-coated in HEWI colours CV (matt black) and ER (matt dark grey pearl mica) with insert made of matt black polyamide

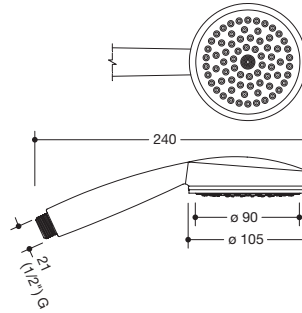
Please advise colour of insert resp. colour combination when ordering.

**HEWI Powder coating | Material combinations**

- ☒ ■ ...60 AS matt white | matt white synthetic material
- ■ ...60 ER matt dark grey pearl mica | matt black synthetic material
- ■ ...60 CV matt black | matt black synthetic material

Item Number

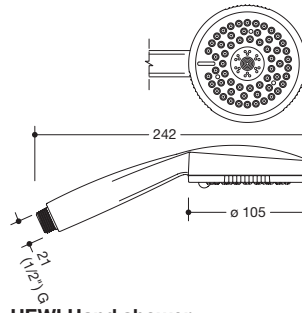
Dimensions in mm / Specification



**HEWI Hand shower**

- 1-jet hand shower with soft-clean anti-calcium knobs, jet type: Rain
- shower head  $\varnothing$  105 mm
- spray plate made of synthetic material in white
- knobs and ring made of light grey synthetic material
- flow rate at 3 bar: 14 l/min, rinsable dirt filter
- connection thread G 1/2, connection size: DN 15
- tested according to KTW and W270
- made of synthetic material in white
- do., packing unit: 5 pcs.
- made of synthetic material, chrome-plated
- do., packing unit: 5 pcs.

950.33.E031  
950.33.E035  
950.33.E032  
950.33.E036



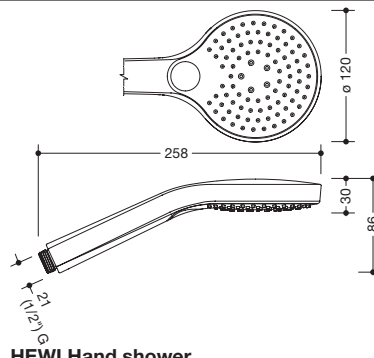
**HEWI Hand shower**

- 3-jet hand shower with soft-clean anti-calcium knobs
- jet types: Wide Rain, Concentrated Rain and Combined Rain
- shower head  $\varnothing$  105 mm
- body made of synthetic material, chrome-plated
- spray plate made of synthetic material in white
- knobs and ring made of light grey synthetic material
- flow rate at 3 bar: 14 l/min, rinsable dirt filter
- connection thread G 1/2, connection size: DN 15
- tested according to KTW and W270
- do., packing unit: 5 pcs.

950.33.E033



950.33.E037



**HEWI Hand shower**

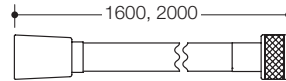
- do., jet types: Mix, Rain, Massage, shower head  $\varnothing$  120 mm
- body and spray plate made of synthetic material, matt black
- knobs and ring made of synthetic material, matt black

New 950.33.E076



Item Number

Dimensions in mm / Specification



**950.33.E054**  
**950.33.E059**

**HEWI Shower hose**

- made of synthetic material in white
- kink-protected
- rotary cone protects against twisting of the shower hose
- metal rotary cone / metal knurled knob, chrome-plated
- connections: 1/2 inch x 1/2 inch
- tested according to EN 1113 and KTW

- hose length 1600 mm
- do., packing unit: 5 pcs.



**950.33.E062**  
**950.33.E064**

**HEWI Shower hose**

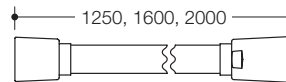
- do., made of synthetic material, silver

- hose length 1600 mm
- do., packing unit: 5 pcs.

**950.33.E055**  
**950.33.E060**

**950.33.E063**  
**950.33.E065**

- hose length 2000 mm
- do., packing unit: 5 pcs.

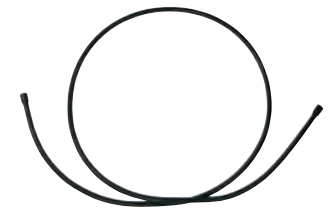


**950.33.E056**

**HEWI Shower hose**

- made of synthetic material with chrome-optic surface, kink-protected
- rotary cone protects against twisting of the shower hose
- metal rotary cone / metal short cone, chrome-plated
- connections: 1/2 inch x 1/2 inch
- tested according to EN 1113, KTW and W 270

- hose length 1250 mm



**950.33.E057**  
**950.33.E061**  
**950.33.E058**

- hose length 1600 mm
- do., packing unit: 5 pcs.

**HEWI Shower hose**

- do., made of synthetic material, matt black
- brass swivel cone/brass knurl, matt black powder-coated

- hose length 2000 mm
- hose length 1600 mm
- hose length 2000 mm

**New 950.33.E077**  
**New 950.33.E078**



**HEWI Set hand shower and shower hose**

consisting of:

**1-jet hand shower 950.33.E031 with shower hose 950.33.E0...**

- made of synthetic material in white
- hand shower with soft-clean anti-calcium knobs, jet type: Rain
- shower head ø 105 mm
- spray plate made of synthetic material in white
- knobs and ring made of light grey synthetic material
- flow rate at 3 bar: 14 l/min, rinsable dirt filter
- connection thread G 1/2, connection size: DN 15
- kink-protected
- rotary cone protects against twisting of the shower hose
- metal rotary cone / metal knurled knob, chrome-plated
- hand shower tested according to KTW and W270
- shower hose tested according to EN 1113 and KTW

**950.33.E070**  
**950.33.E073**

- hose length 1600 mm (950.33.E054)
- hose length 2000 mm (950.33.E062)



**HEWI Colours | Surfaces**



Item Number

Dimensions in mm / Specification



- Hand shower
- Shower hose

**950.33.E071**  
**950.33.E074**

**HEWI Set hand shower and shower hose**

consisting of:

**1-jet hand shower 950.33.E032 with shower hose 950.33.E0...**

- made of synthetic material, chrome-plated with shower hose
- made of synthetic material, silver
- hand shower with soft-clean anti-calcium knobs
- jet type: Rain
- shower head ø 105 mm
- spray plate made of synthetic material in white
- knobs and ring made of light grey synthetic material
- flow rate at 3 bar: 14 l/min
- rinsable dirt filter
- connection thread G 1/2, connection size: DN 15
- kink-protected
- rotary cone protects against twisting of the shower hose
- metal rotary cone / metal knurled knob, chrome-plated
- hand shower tested according to KTW and W270
- shower hose tested according to EN 1113 and KTW

- hose length 1600 mm (950.33.E055)
- hose length 2000 mm (950.33.E063)



- 

**950.33.E072**  
**950.33.E075**

**HEWI Set hand shower and shower hose**

consisting of:

**3-jet hand shower 950.33.E033 with shower hose 950.33.E0...**

- made of synthetic material, chrome-plated
- hand shower with soft-clean anti-calcium knobs
- jet types: Wide Rain, Concentrated Rain and Combined Rain
- shower head ø 105 mm
- spray plate made of synthetic material in white
- knobs and ring made of light grey synthetic material
- flow rate at 3 bar: 14 l/min
- rinsable dirt filter
- connection thread G 1/2, connection size: DN 15
- kink-protected
- rotary cone protects against twisting of the shower hose
- metal rotary cone / metal short cone, chrome-plated
- hand shower tested according to KTW and W270
- shower hose tested according to EN 1113 and KTW

- hose length 1600 mm (950.33.E057)
- hose length 2000 mm (950.33.E058)



- 

**New 950.33.E079**  
**New 950.33.E080**

**HEWI Set hand shower and shower hose**

consisting of:

**3-jet hand shower 950.33.E076 with shower hose 950.33.E0...**

- made of synthetic material, matt black
- hand shower with soft-clean anti-calcium knobs
- jet types: Mix, Rain, Massage
- shower head ø 120 mm
- spray plate made of synthetic material, matt black
- knobs and ring made of synthetic material, matt black
- flow rate at 3 bar: 14 l/min
- rinsable dirt filter
- connection thread G 1/2, connection size: DN 15
- kink-protected
- rotary cone protects against twisting of the shower hose
- brass swivel cone/brass knurl, matt black powder-coated
- hand shower tested according to KTW and W270
- shower hose tested according to EN 1113 and KTW

- hose length 1600 mm (950.33.E077)
- hose length 2000 mm (950.33.E078)

**HEWI Colours | Surfaces**

- W
- S
- Chr
- S

# Adiposity

## PRODUCT CHARACTERISTICS

- Developed for overweight people
- HEWI obesity products promote mobility and thereby the independence of overweight patients
- Safe support, the sanitary series provides a support load of up to 300 kg
- Optimally adapted to the hand, cross section promotes effective force transmission
- A wider distance from the wall enables a larger gripping area

## RECOMMENDED APPLICATION AREAS

Professional Care

## PRODUCTS WITH LOAD BEARING

### CAPACITY UP TO 300 kg

Product range	707
Support rails	708 – 709
Hinged support rails	710
Support grab rails	711
Rails with shower head holder	711
Shower benches	712



# Adiposity Accessibility





**Support rail**  
801.36.8100 | 300 mm page 708  
801.36.8110 | 400 mm page 708  
In 14 HEWI colours



**L-shaped support rail**  
801.22.8100 page 708  
In 14 HEWI colours



**Floor to wall stationary support**  
801.22.8400 page 709  
In 14 HEWI colours



**Hinged support rail**  
801.50.812..S page 710  
In 14 HEWI colours



**Support grab rail**  
801.35.8110 page 711  
In 14 HEWI colours



**Rail with shower head holder**  
801.33.8120 page 711  
In 14 HEWI colours



**Shower bench**  
801.51.8400 page 712  
In 14 HEWI colours



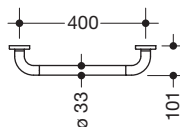
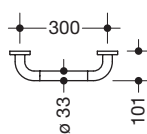
**Shower bench**  
801.51.8410 page 712  
In 14 HEWI colours

**14 HEWI COLOURS**

<input type="checkbox"/> 98 (signal white)	<input type="checkbox"/> 92 (anthracite grey)	<input type="checkbox"/> 18 (mustard yellow)	<input type="checkbox"/> 74 (apple green)
<input type="checkbox"/> 99 (pure white)	<input type="checkbox"/> 90 (jet black)	<input type="checkbox"/> 36 (coral)	<input type="checkbox"/> 55 (aqua blue)
<input type="checkbox"/> 97 (light grey)	<input type="checkbox"/> 86 (sand)	<input type="checkbox"/> 33 (ruby red)	<input type="checkbox"/> 50 (steel blue)
<input type="checkbox"/> 95 (stone grey)	<input type="checkbox"/> 84 (umber)		

Item Number

Dimensions in mm / Specification



**HEWI Support rail with load bearing capacity up to 300 kg**

- increased distance from wall for easier and secure gripping
- with continuous, corrosion resistant steel core
- for wall mounting with fixing material from HEWI
- if mounted onto lightweight walls, rear lining made of laminated timber boards at least 30 mm this is required
- 101 mm deep, rail  $\varnothing$  33 mm, roses  $\varnothing$  70 mm
- made of high-quality polyamide
- loading capacity 300 kg

**801.36.8100**

c to c 300 mm

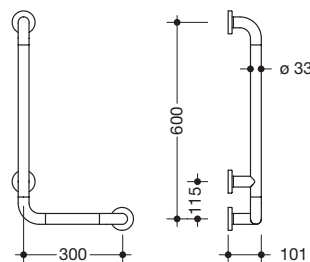
**801.36.8110**

c to c 400 mm

In 14 HEWI colours

**10856**

**HEWI Rose cap**



**801.22.8100**

**HEWI L-shaped support rail with load bearing capacity up to 300 kg**

- increased distance from wall for easier and secure gripping
- with continuous, corrosion resistant steel core
- can be mounted in left hand or right hand position
- for wall mounting with fixing material from HEWI
- if mounted onto lightweight walls, rear lining made of laminated timber boards at least 30 mm this is required
- horizontal length 300 mm, vertical length 600 mm (c to c)
- 101 mm deep, rails  $\varnothing$  33 mm, roses  $\varnothing$  70 mm
- made of high-quality polyamide
- loading capacity 300 kg

**801.50.011**

**Upgrade kit toilet roll holder** to be ordered separately see right

In 14 HEWI colours

**10856**

**HEWI Rose cap**

**10862**

**HEWI Rose cap, divided**

**Fixing material BM211** included in delivery page 742



Item Number

Dimensions in mm / Specification

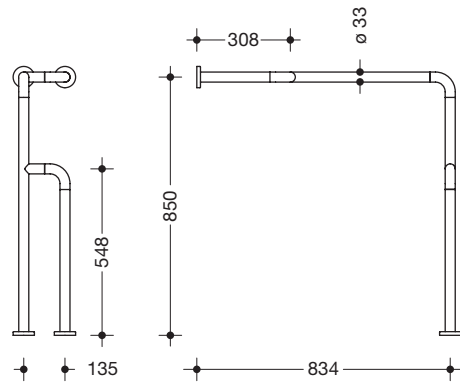


801.22.8400

801.50.011

10856

In 14 HEWI colours

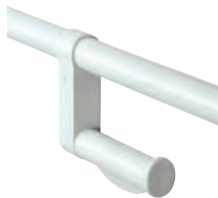


**HEWI Floor to wall stationary support with load bearing capacity up to 300 kg**

- with continuous, corrosion resistant steel core
- can be mounted in left hand or right hand position
- for wall and floor mounting with fixing material from HEWI
- if mounted onto lightweight walls, rear lining made of laminated timber boards at least 30 mm this is required
- 834 mm wide, 850 mm high and 135 mm deep (c to c)
- rails  $\varnothing$  33 mm, roses  $\varnothing$  70 mm
- made of high-quality polyamide, vertical loading capacity 300 kg, horizontal loading capacity in direction with additional wall support up to 100 kg

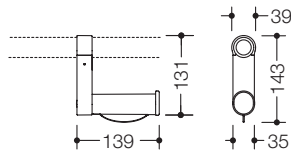
**Upgrade kit toilet roll holder** to be ordered separately see below

**HEWI Rose cap**



801.50.011

In 14 HEWI colours



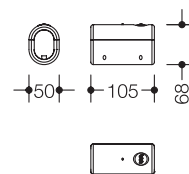
**HEWI Upgrade kit toilet roll holder**

- right angle-shaped toilet roll holder
- with integrated soft, flexible roll brake to accommodate standard toilet rolls
- for easy installation and for retrofitting with HEWI rail system  $\varnothing$  33 mm and hinged support rails Range 801
- 39 mm wide, 143 mm high, 139 mm deep
- made of high-quality polyamide



801.50.060

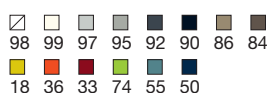
In 14 HEWI colours



**HEWI Upgrade kit WC flushing mechanism (radio-controlled)**

- WC flushing mechanism for easy installation and for retrofitting with HEWI hinged support rails 801.50...
- 50 mm wide, 68 mm high, 105 mm long
- transmission frequency 868,4 MHz
- made of high-quality polyamide
- suitable for radio-controlled WC flushing systems of Geberit, Mepa, Viega, Sanit, Friatec, TECE and Grohe

**14 HEWI colours**



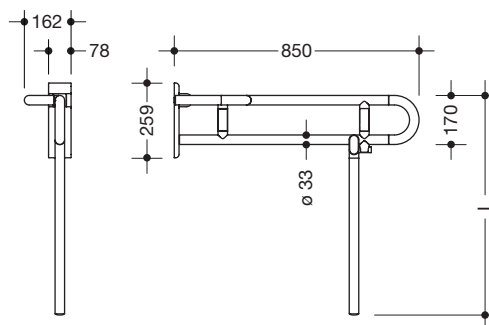
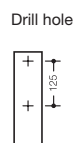
Detailed information about the spare parts can be found here: [www.hewi.com/en/spare-parts](http://www.hewi.com/en/spare-parts)

Item Number

Dimensions in mm / Specification



right handed version



**HEWI Hinged support rail with load bearing capacity up to 300 kg**

- with second connecting bar and additional wall support
- floor support made to measure, for absorbing vertical forces
- can be folded upwards and, with friction device, downwards, a turn to left or right (depending on the version) towards the wall locks support in vertical position
- with continuous, corrosion resistant steel core and wall mounting plate made of polyamide with integrated steel core
- covered, non-corrosive and tested HEWI fixing material for different wall constructions (to be ordered separately)
- if mounted onto lightweight walls, rear lining made of laminated timber boards at least 30 mm this is required
- 850 mm projection, 162 mm wide and 259 mm high, rails  $\varnothing$  33 mm
- vertical loading capacity 300 kg, horizontal loading capacity in direction with additional wall support up to 100 kg

right handed version (from users point of view)

left handed version

Please specify dimension L when ordering.

**HEWI Masking cap**

In 14 HEWI colours

801.50.812RS  
801.50.812LS

39006

**HEWI Fixing material for hinged support rail to be ordered separately page 738**

for fixing on walls made of:

- concrete > C20/C25, national technical approval number: ETA-11/0493
- concrete > C20/C25
- autoclaved aerated concrete (> P2)
- lightweight walls with rear lining made of laminated timber boards ...
- lightweight walls with integrated steel plates ...
- hollow concrete block, vertically perforated bricks, solid bricks, ..., national technical approval number: ETA-13/1036

BM17.2  
BM10.2  
BM11.2  
BM12.2  
BM13.2  
BM18.2

**Upgrade products for hinged support rail to be ordered separately pages 709, 136-137**

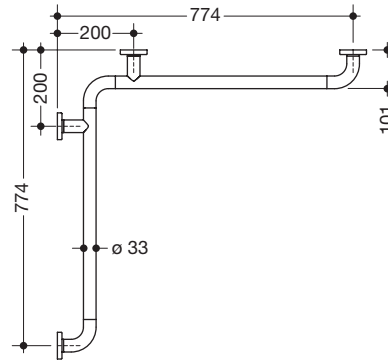
- HEWI Upgrade kit toilet roll holder
- HEWI Upgrade kit WC flushing mechanism (radio-controlled)
- HEWI Backrest rail
- HEWI Backrest rail
- HEWI Backrest rail

801.50.011  
801.50.060  
801.51.900  
801.51.920L  
801.51.920R

Detailed information about the spare parts can be found here:  
[www.hewi.com/en/spare-parts](http://www.hewi.com/en/spare-parts)

Item Number

Dimensions in mm / Specification



**801.35.8110**

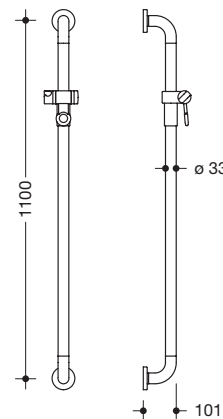
**HEWI Support grab rail with load bearing capacity up to 300 kg**

- increased distance from wall for easier and secure gripping
- with continuous, corrosion resistant steel core
- for wall mounting with fixing material from HEWI
- if mounted onto lightweight walls, rear lining made of laminated timber boards at least 30 mm this is required
- horizontal lengths 774 mm each (c to c)
- 101 mm deep, rails  $\varnothing 33$  mm, roses  $\varnothing 70$  mm
- made of high-quality polyamide
- loading capacity 300 kg

In 14 HEWI colours

**10856**  
**10862**

**HEWI Rose cap**  
**HEWI Rose cap, divided**



**801.33.8120**

**HEWI Rail with shower head holder with load bearing capacity up to 300 kg**

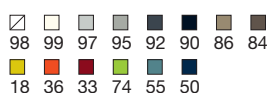
- increased distance from wall for easier and secure gripping
- shower head holder adjustable to required angle and height
- conical adapter on shower head holder facilitates accommodation of handspray
- with continuous, corrosion resistant steel core
- for wall mounting with fixing material from HEWI
- if mounted onto lightweight walls, rear lining made of laminated timber boards at least 30 mm this is required
- c to c 1100 mm, 101 mm deep
- rail  $\varnothing 33$  mm, roses  $\varnothing 70$  mm
- made of high-quality polyamide
- loading capacity 300 kg

In 14 HEWI colours

**950.33.E0190**  
**10856**

**HEWI Shower head holder**  
**HEWI Rose cap**

**14 HEWI colours**



**950.33.E03...**  
**950.33.E05...**

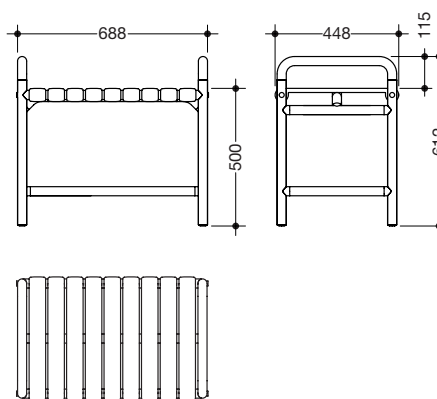
**HEWI Handspray** to be ordered separately page 702  
**HEWI Shower hose** to be ordered separately page 703  
**Fixing material BM211** included in delivery page 742

Item Number

Dimensions in mm / Specification



**801.51.8400**



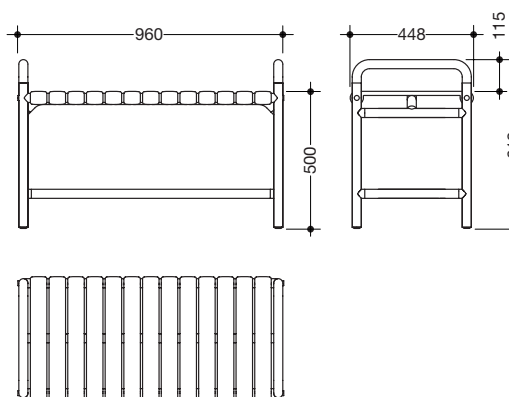
**HEWI Shower bench with load bearing capacity up to 350 kg**

- suitable for use in the shower
- made of rail system  $\varnothing$  33 mm, with continuous, corrosion resistant steel core
- with additional, side support rails
- 688 mm wide, 448 mm deep, seat slats 55 mm wide
- seat height 500 mm, total height 612 mm
- made of high-quality polyamide
- loading capacity 350 kg

In 14 HEWI colours



**801.51.8410**

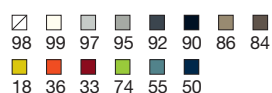


**HEWI Shower bench with load bearing capacity up to 350 kg**

- suitable for use in the shower
- made of rail system  $\varnothing$  33 mm, with continuous, corrosion resistant steel core
- with additional, side support rails
- 960 mm wide, 448 mm deep, seat slats 55 mm wide
- seat height 500 mm, total height 612 mm
- made of high-quality polyamide
- loading capacity 350 kg

In 14 HEWI colours

**14 HEWI colours**



# High risk products

**PRODUCT CHARACTERISTICS**

- Especially for sanitary areas with high safety requirements such as, for example, forensic or psychiatric facilities
- Products are designed as suicide preventing e.g. they make suicide attempts difficult
- Products comprise hooks, rail with shower head holder and shower curtain rods
- Can be combined with Range 477/801 (from page 71)

**RECOMMENDED APPLICATION AREAS**

Professional Care

**HIGH RISK PRODUCTS**

Product characteristics	714
Product range	715
Hooks	716
Rails with shower head holder	717 – 719
Shower curtain rails	720 – 721



High risk products

# High risk products

## Product characteristics



universal  
design award 2013

SPECIAL  
MENTION 2014

HEWI offers special fitout solutions for sanitary areas with high security requirements, for example, in forensic or psychiatric facilities. The products are characterised by their durability. They are also designed to prevent suicide.

### Product characteristics

The hooks are designed to bend down when slightly overloaded and cannot be used as a missile.

The curtain rail is fixed by magnets and releases under a load of more than 25 kg. The magnet fixing makes the rail easy to re-attach.

The rail with shower head holder and shower handrail combinations have a wall connection with 45° angle at the top, so that it is more difficult to fix cords, ropes or similar to them.

### Colours / Material

- Through-dyed synthetic material with steel or aluminum core
- Available in 14 resp. 16 HEWI colours

### Design

- HEWI, Bad Arolsen





**Single hook**  
477.90.99010 page 716  
In 16 HEWI colours



**Double hook**  
477.90.99025 page 716  
In 16 HEWI colours



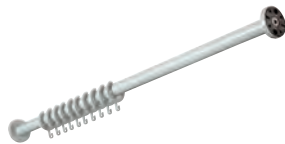
**Coat hook**  
477.90.99045 page 716  
In 16 HEWI colours



**Rail with shower head holder**  
801.33.99130 page 717  
801.33.991S page 717  
In 14 HEWI colours



**Rail with vertical support bar and shower head holder**  
801.35.99340 page 718  
801.35.993S page 719  
In 14 HEWI colours



**Shower curtain rail**  
801.34.99400 page 721  
801.34.994S page 721  
In 14 HEWI colours



**Shower curtain rail**  
801.34.99100 page 720  
801.34.99110 page 720  
801.34.991S page 720  
In 14 HEWI colours



**Ceiling support**  
801.34.99020 page 721  
801.34.99022 page 721  
801.34.9902S page 721  
In 14 HEWI colours

**16 HEWI COLOURS**

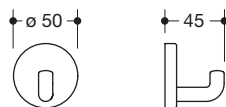
- |                     |                        |                       |                    |
|---------------------|------------------------|-----------------------|--------------------|
| ☐ 98 (signal white) | ■ 92 (anthracite grey) | ■ 18 (mustard yellow) | ■ 74 (apple green) |
| ☐ 99 (pure white)   | ■ 90 (jet black)       | ■ 24 (orange)         | ■ 72 (may green)   |
| ■ 97 (light grey)   | ■ 86 (sand)            | ■ 36 (coral)          | ■ 55 (aqua blue)   |
| ■ 95 (stone grey)   | ■ 84 (umber)           | ■ 33 (ruby red)       | ■ 50 (steel blue)  |

Item Number

Dimensions in mm / Specification



477.90.99010



**HEWI Single hook, high risk product**

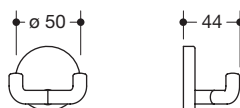
- cylindrical right-angled hook with rose fixing
- breaks in case of low overload
- concealed screw fitting to prevent unauthorised removal
- 45 mm deep, rose ø 50 mm
- made of high-quality polyamide
- never install hooks side by side, because the loads add up

Supplied without screws and plugs.

In 16 HEWI colours



477.90.99025



**HEWI Double hook, high risk product**

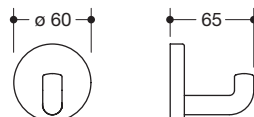
- double hook with rose fixing
- breaks in case of low overload
- concealed screw fitting to prevent unauthorised removal
- 44 mm deep, rose ø 50 mm
- made of high-quality polyamide
- never install hooks side by side, because the loads add up

Supplied without screws and plugs.

In 16 HEWI colours



477.90.99045



**HEWI Coat hook, high risk product**

- cylindrical right-angled hook with rose fixing
- breaks in case of low overload
- concealed screw fitting to prevent unauthorised removal
- 65 mm deep, rose ø 60 mm
- made of high-quality polyamide
- never install hooks side by side, because the loads add up

Supplied without screws and plugs.

In 16 HEWI colours

Detailed information about the spare parts can be found here:  
[www.hewi.com/en/spare-parts](http://www.hewi.com/en/spare-parts)

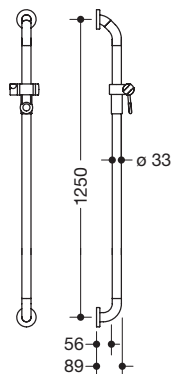


Item Number

Dimensions in mm / Specification



In 14 HEWI colours



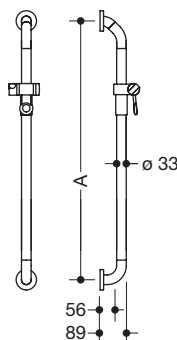
**801.33.99130**

**HEWI Rail with shower head holder, high risk product**

- vertical rail with 45° angled top and right-angled bottom, with shower head holder and rose fixings
- does not offer any mounting options for ropes and cords at the upper part
- lower fixing point is suitable for mounting below 85 cm height
- shower head holder adjustable to required angle and height
- conical adaptor on shower head holder facilitates accommodation of shower head
- with continuous, corrosion resistant steel core
- c to c 1250 mm, bar ø 33 mm, 89 mm deep, roses ø 70 mm
- made of high-quality polyamide
- including non-corrosive HEWI fixing material

**950.33.E0190**  
**10856**

**HEWI Shower head holder**  
**HEWI Rose cap**



**801.33.991S**

**HEWI Rail with shower head holder, high risk product, special length**

- vertical rail with 45° angled top and right-angled bottom, with shower head holder and rose fixings
- does not offer any mounting options for ropes and cords at the upper part
- lower fixing point is suitable for mounting below 85 cm height
- shower head holder adjustable to required angle and height
- conical adaptor on shower head holder facilitates accommodation of handspray
- with continuous, corrosion resistant steel core
- for wall mounting with fixing material from HEWI
- 89 mm deep, rail ø 33 mm, roses ø 70 mm
- made of high-quality polyamide

	A1
min.	600 mm
max.	1250 mm

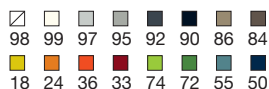
Please advise A1 when ordering.

**950.33.E0190**  
**10856**

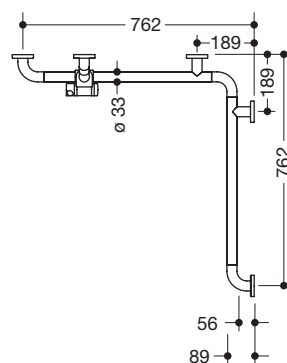
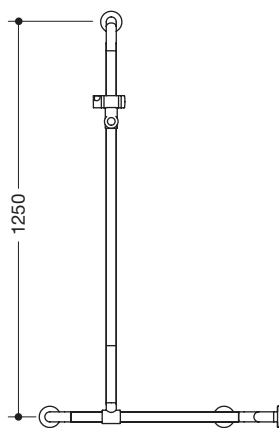
**HEWI Shower head holder**  
**HEWI Rose cap**

In 14 HEWI colours

**16 HEWI colours**



In case of mounting with roses on lightweight partition walls, timber noggings must be installed e.g. laminated wood panels > 20 mm thick. Fixing material BM211 included in delivery.



801.35.99340

**HEWI Rail with vertical support bar and shower head holder, high risk product**

- horizontal and vertical bars joined to form a right angle and fitted with rose fixings, bent upwards at a 45° angle
- with sideways adjustable vertical support bar (for installation)
- does not offer any mounting options for ropes and cords at the upper part
- lower fixing point is suitable for mounting below 85 cm height
- shower head holder adjustable to required angle and height
- with continuous, corrosion resistant steel core
- can be mounted in left hand or right hand position
- vertical length 1250 mm, horizontal lengths each 762 mm
- 89 mm deep, rails  $\varnothing$  33 mm, roses  $\varnothing$  70 mm
- made of high-quality polyamide
- including non-corrosive HEWI fixing material

950.33.E0190

**HEWI Shower head holder**

10856

**HEWI Rose cap**

10862

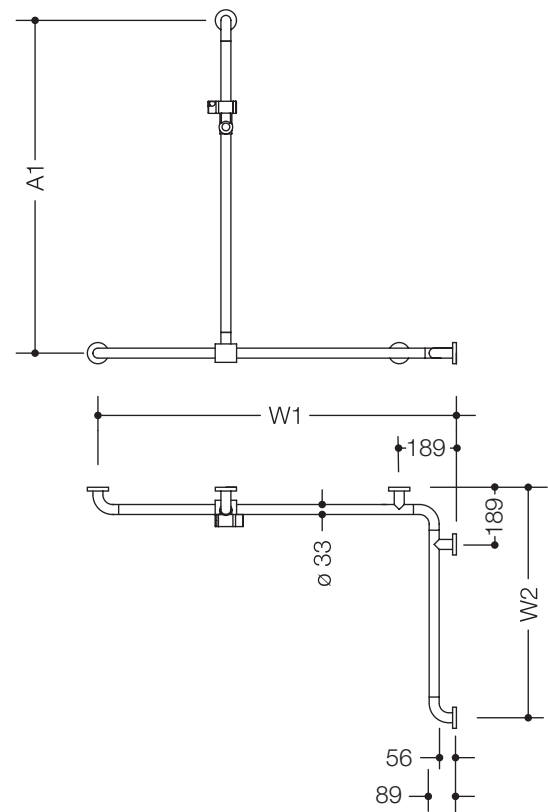
**HEWI Rose cap, divided**

In 14 HEWI colours

Detailed information about the spare parts can be found here:  
[www.hewi.com/en/spare-parts](http://www.hewi.com/en/spare-parts)

Item Number

Dimensions in mm / Specification



801.35.993S

**HEWI Rail with vertical support bar and shower head holder, high risk product, special length**

- horizontal and vertical bars joined to form a right angle and fitted with rose fixings, bent upwards at a 45° angle
- with sideways adjustable vertical support bar (for installation)
- does not offer any mounting options for ropes and cords at the upper part
- lower fixing point is suitable for mounting below 85 cm height
- shower head holder adjustable to required angle and height
- with continuous, corrosion resistant steel core
- for wall mounting with fixing material from HEWI
- can be mounted in left hand or right hand position
- 89 mm deep, rails  $\varnothing$  33 mm, roses  $\varnothing$  70 mm
- made of high-quality polyamide

	A1	W1	W2
min.	600 mm	475 mm	475 mm
max.	1250 mm	1800 mm	1800 mm

From a horizontal length of W2 = 1200 mm, the rail has an additional centrally-positioned support.

Note during installation: intervals between supports may not exceed 850 mm. Please indicate lengths A1, W1 and W2 when ordering. A1 can only be fixed with W1.

950.33.E0190

10856

10862

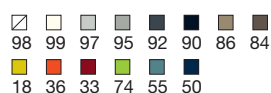
**HEWI Shower head holder**

**HEWI Rose cap**

**HEWI Rose cap, divided**

In 14 HEWI colours

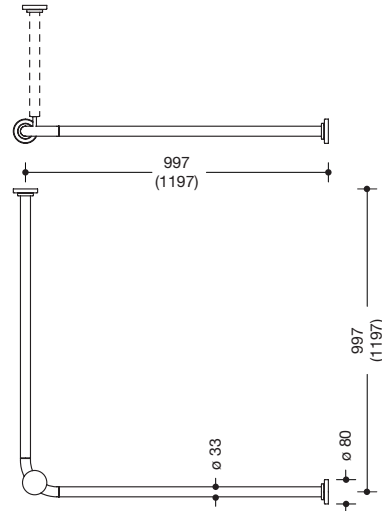
**14 HEWI colours**



In case of mounting with roses on lightweight partition walls, timber noggings must be installed e.g. laminated wood panels > 20 mm thick. Fixing material BM211 included in delivery.

Item Number

Dimensions in mm / Specification



**HEWI Shower curtain rail, high risk product**

- horizontal bars joined to form a right angle and fitted with curtain rings and magnetic rose fixings, with aluminum core
  - bars drop off at a load of about 25 kg (re-usable)
  - with aluminum core
  - length at ends can be shortened on site to 220 mm
  - rails  $\varnothing$  33 mm, roses  $\varnothing$  80 mm, made of high-quality polyamide
  - with preparation for ceiling support im bend, high risk product, required
- Fixing material included in delivery.

**801.34.99100**

**for shower tray 1000 x 1000 mm**

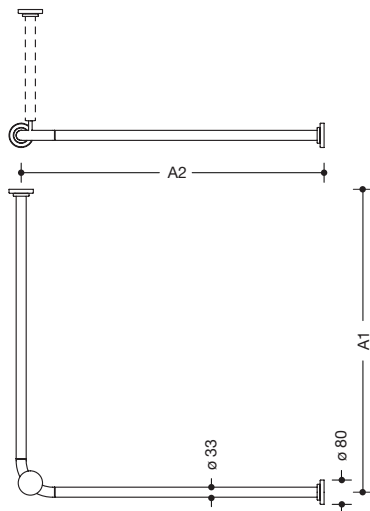
- c to c 997 x 997 mm, with 20 curtain rings
- recommended HEWI standard width (F) 3000 mm

**801.34.99110**

**for shower tray 1200 x 1200 mm**

- c to c 1197 x 1197 mm, with 24 curtain rings
- recommended HEWI standard width (F) 3500 mm

In 14 HEWI colours



**801.34.991S**

**HEWI Shower curtain rail, high risk product, special lengths**

- do., with suitable number of curtain rings
- length to order

A2	234-1100 mm	1101-1697 mm
A1		
234-1100 mm		
1101-1697 mm		

In 14 HEWI colours

Please advise A1 and A2 when ordering.

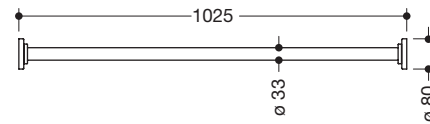
**801.34.E01**

**HEWI Curtain rings, packing unit 5 pcs.**

**HEWI Ceiling support, high risk product** order separately, see right  
**HEWI Shower curtain** see register Shower curtains

Item Number

Dimensions in mm / Specification

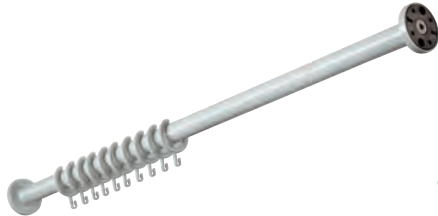


801.34.99400

**HEWI Shower curtain rail, high risk product**

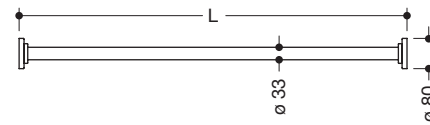
- rail with magnetic rose fixings
- bar drops off at a load of about 25 kg (re-usable)
- with durchgehendem aluminum core
- can be shortened on site to 200 mm
- 1025 mm long with 10 curtain rings
- $\varnothing$  33 mm, roses  $\varnothing$  80 mm, made of high-quality polyamide

Recommended HEWI standard curtain width (F) 1200 mm.  
Fixing material included in delivery.



801.34.E01

**HEWI Curtain rings, packing unit 5 pcs.**



801.34.994S

**HEWI Shower curtain rail, high risk product, special lengths**

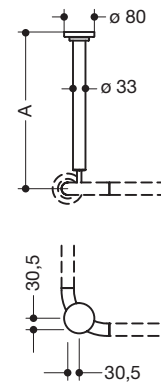
- do., with suitable number of curtain rings
- length to order von min. 225 mm to max. 1725 mm

Please advise A1 when ordering.

In 14 HEWI colours

801.34.E01

**HEWI Curtain rings, packing unit 5 pcs.**



801.34.99020

801.34.99022

801.34.9902S

**HEWI Ceiling support, high risk product**

- rail with magnetic rose fixing
- connection drops off at a load of about 25 kg (re-usable)
- with aluminum core
- fitted to ceiling with rose fixing
- length adjustable by 10 mm and can be shortened at rose by max. 100 mm
- rail  $\varnothing$  33 mm, rose  $\varnothing$  80 mm
- made of high-quality polyamide

A = 400 mm (curtain rail - ceiling axle)

A = 600 mm (curtain rail - ceiling axle)

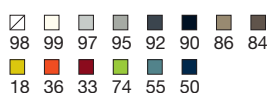
special length, A = 301 mm - max. 1500 mm (shortable when A = 341 mm)

Please indicate A when ordering.

Fixing material included in delivery.

In 14 HEWI colours

**14 HEWI colours**



Detailed information about the spare parts can be found here:  
[www.hewi.com/en/spare-parts](http://www.hewi.com/en/spare-parts)



# Shower curtains

## Trevira CS, Polyester

### PRODUCT CHARACTERISTICS

- Optionally available in standard dimensions or custom-made (from quantity 1)
- Three different fabric qualities that optimally fulfil the different requirements in the building
- Washable, additionally with antimicrobial effect
- A splash guard that effectively protects care personnel from splashing water when showering patients is also available (see pages 162-163, 324)

### RECOMMENDED APPLICATION AREAS

Professional Care

### TREVIRA CS

Product range	724
Standard dimensions	726
Special dimensions	729 – 731

### POLYESTER

Product range	725
Standard dimensions	727 – 728
Special dimensions	732 – 733

Ordering aid, installation tip	734
Order form	735



Shower curtains

**Trevira CS**

**HEWI** *active* <sup>+</sup>



802.34.V0..30  
802.34.01030  
uni white, fire retardant

page 726  
page 729



801.34.V0..01  
801.34.01001  
white/silver, fire retardant

page 726  
page 730

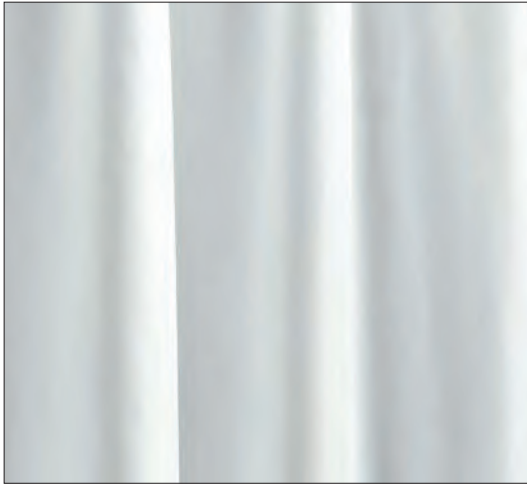


801.34.V0..38  
801.34.01038  
squares umber/sand, fire retardant

page 726  
page 731



**Polyester**



801.34.V0..80 page 728  
801.34.V0..34 page 727  
801.34.01034 page 732  
uni white



**New**  
801.34.V0..39 page 727  
801.34.01039 page 733  
pure wool white



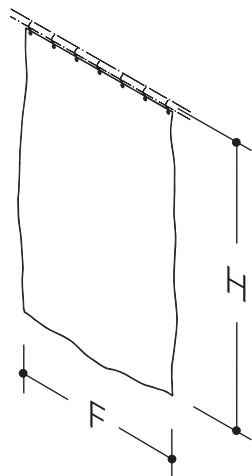
**New**  
801.34.V0..40 page 727  
801.34.01040 page 733  
pure pebble grey



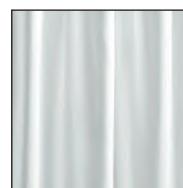
**New**  
801.34.V0..41 page 727  
801.34.01041 page 733  
pure grey green

Item Number

Dimensions in mm / Specification



802.34.V0..30



801.34.V0..01



801.34.V0..38

**HEWI active+ Shower curtain, standard dimensions**

- curtain with hemmed sides
- with stainless steel roll seam and top edge with punched stainless steel eyelets suitable for HEWI curtain rings
- washable at 40 °C and disinfectable at 60 °C
- shower proof
- antistatic
- microbial and bacterial resistant
- 100 % Trevira CS with antimicrobial finish based on silver
- fire retardant to DIN 4102/B1

**F x H = 1400 mm x 2000 mm, with 10 eyelets**

- uni white pattern
- white/silver pattern
- squares umber/sand pattern

802.34.V0130  
801.34.V0101  
801.34.V0138

**F x H = 2000 mm x 2000 mm, with 14 eyelets**

- uni white pattern
- white/silver pattern
- squares umber/sand pattern

802.34.V0230  
801.34.V0201  
801.34.V0238

**F x H = 2500 mm x 2000 mm, with 18 eyelets**

- uni white pattern
- white/silver pattern
- squares umber/sand pattern

802.34.V0330  
801.34.V0301  
801.34.V0338

**F x H = 2900 mm x 2000 mm, with 20 eyelets**

- uni white pattern
- white/silver pattern
- squares umber/sand pattern

802.34.V0430  
801.34.V0401  
801.34.V0438

**Please note:**

**Ordering aid, installation tip, order form** pages 734, 735

Other dimensions available on request

**HEWI Shower curtain rails** pages 112-119, 222-225 and 720-721

Item Number

Dimensions in mm / Specification



801.34.V0..34



801.34.V0..39



801.34.V0..40



801.34.V0..41

**HEWI Shower curtain, standard dimensions**

- curtain with hemmed sides
- with stainless steel roll seam and top edge with punched stainless steel eyelets suitable for HEWI curtain rings
- washable at 40 °C and disinfectable at 60 °C
- shower proof
- antistatic
- microbial and bacterial resistant
- with a Teflon finish for longer durability
- made of 100 % polyester

**F x H = 1400 mm x 2000 mm, with 10 eyelets**

- uni white pattern
- pure wool white pattern
- pure pebble grey pattern
- pure grey green pattern

**F x H = 2000 mm x 2000 mm, with 14 eyelets**

- uni white pattern
- pure wool white pattern
- pure pebble grey pattern
- pure grey green pattern

**F x H = 2500 mm x 2000 mm, with 18 eyelets**

- uni white pattern
- pure wool white pattern
- pure pebble grey pattern
- pure grey green pattern

**F x H = 2900 mm x 2000 mm, with 20 eyelets**

- uni white pattern
- pure wool white pattern
- pure pebble grey pattern
- pure grey green pattern

**Please note:**

**Ordering aid, installation tip, order form** pages 734, 735

- 801.34.V0134
- New** 801.34.V0139
- New** 801.34.V0140
- New** 801.34.V0141

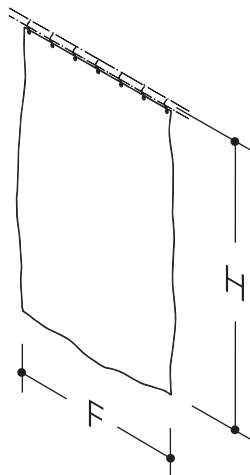
- 801.34.V0234
- New** 801.34.V0239
- New** 801.34.V0240
- New** 801.34.V0241

- 801.34.V0334
- New** 801.34.V0339
- New** 801.34.V0340
- New** 801.34.V0341

- 801.34.V0434
- New** 801.34.V0439
- New** 801.34.V0440
- New** 801.34.V0441

Other dimensions available on request

**HEWI Shower curtain rails** pages 112-119, 222-225 and 720-721



801.34.V0..80

**HEWI Shower curtain, standard dimensions**

- curtain with hemmed sides
- uni white pattern
- with stainless steel roll seam and top edge with punched stainless steel eyelets suitable for HEWI curtain rings
- washable at 30 °C
- shower proof
- made of 100 % polyester

- 801.34.V0580
- 801.34.V0180
- 801.34.V0280
- 801.34.V0680
- 801.34.V0380
- 801.34.V0780
- 801.34.V0880
- 801.34.V0980

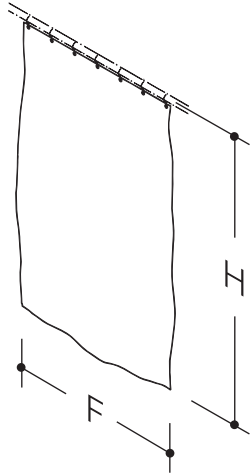
- F x H = 1200 mm x 2000 mm, with 8 eyelets
- F x H = 1400 mm x 2000 mm, with 10 eyelets
- F x H = 2000 mm x 2000 mm, with 14 eyelets
- F x H = 2400 mm x 2000 mm, with 16 eyelets
- F x H = 2500 mm x 2000 mm, with 18 eyelets
- F x H = 3000 mm x 2000 mm, with 20 eyelets
- F x H = 3500 mm x 2000 mm, with 24 eyelets
- F x H = 4000 mm x 2000 mm, with 28 eyelets

**Please note:**

**Ordering aid, installation tip, order form** pages 734, 735

Item Number

Dimensions in mm / Specification



**802.34.01030**

**802.34.01030**

**HEWI active+ Shower curtain, special dimensions**

- curtain with hemmed sides
- uni white pattern
- with stainless steel roll seam and top edge with punched stainless steel eyelets suitable for HEWI curtain rings
- washable at 40 °C and disinfectable at 60 °C
- shower proof
- antistatic
- microbial and bacterial resistant
- 100 % Trevira CS with antimicrobial finish based on silver
- fire retardant to DIN 4102/B1
- manufactured individually

**Please note:**

**Ordering aid, installation tip, order form** pages 734, 735

Curtain width (F) in mm	Curtain height (H) in mm				Number of eyelets
	1601-1800	1801-2000	2001-2200	2201-2400	
700					6
1000					6
1200					8
1400					10
1800					12
2000					14
2300					16
2500					18
2900					20
3500					24
4000					28
4500					30
5000					34

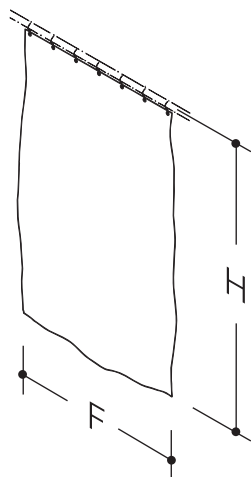
Shower curtains

Other dimensions available on request

**HEWI Shower curtain rails** pages 112-119, 222-225 and 720-721

Item Number

Dimensions in mm / Specification



801.34.01001

801.34.01001

**HEWI active+ Shower curtain, special dimensions**

- curtain with hemmed sides
- white/silver pattern
- with stainless steel roll seam and top edge with punched stainless steel eyelets suitable for HEWI curtain rings
- washable at 40 °C and disinfectable at 60 °C
- shower proof
- antistatic
- microbial and bacterial resistant
- 100 % Trevira CS with antimicrobial finish based on silver
- fire retardant to DIN 4102/B1
- manufactured individually

**Please note:**

**Ordering aid, installation tip, order form** pages 734, 735

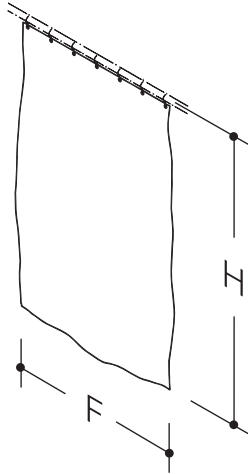
Curtain width (F) in mm	Curtain height (H) in mm			Number of eyelets
	1601-1800	1801-2000	2001-2200	
700				6
1000				6
1200				8
1400				10
1800				12
2000				14
2300				16
2500				18
2900				20
3500				24
4000				28
4500				30
5000				34

Other dimensions available on request

**HEWI Shower curtain rails** pages 112-119, 222-225 and 720-721

Item Number

Dimensions in mm / Specification



**801.34.01038**

**801.34.01038**

**HEWI active+ Shower curtain, special dimensions**

- curtain with hemmed sides
- squares umber/sand pattern
- with stainless steel roll seam and top edge with punched stainless steel eyelets suitable for HEWI curtain rings
- washable at 40 °C and disinfectable at 60 °C
- shower proof
- antistatic
- microbial and bacterial resistant
- 100 % Trevira CS with antimicrobial finish based on silver
- fire retardant to DIN 4102/B1
- manufactured individually

**Please note:**

**Ordering aid, installation tip, order form** pages 734, 735

Curtain width (F) in mm	Curtain height (H) in mm				Number of eyelets
	1601-1800	1801-2000	2001-2200	2201-2400	
700					6
1000					6
1200					8
1400					10
1800					12
2000					14
2300					16
2500					18
2900					20
3500					24
4000					28
4500					30
5000					34

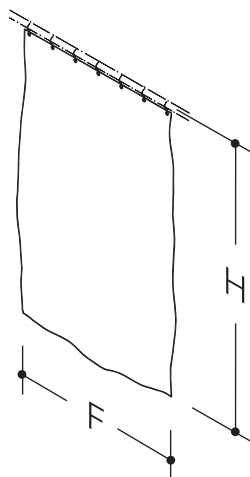
Other dimensions available on request

**HEWI Shower curtain rails** pages 112-119, 222-225 and 720-721

Shower curtains

Item Number

Dimensions in mm / Specification



801.34.01034

801.34.01034

**HEWI Shower curtain, special dimensions**

- curtain with hemmed sides
- uni white pattern
- with stainless steel roll seam and top edge with punched stainless steel eyelets suitable for HEWI curtain rings
- washable at 40 °C and disinfectable at 60 °C
- shower proof
- antistatic
- microbial and bacterial resistant
- with a Teflon finish for longer durability
- made of 100 % polyester
- manufactured individually

**Please note:**

**Ordering aid, installation tip, order form** pages 734, 735

Curtain width (F) in mm	Curtain height (H) in mm				Number of eyelets
	1601-1800	1801-2000	2001-2200	2201-2400	
700					6
1000					6
1200					8
1400					10
1800					12
2000					14
2300					16
2500					18
2900					20
3500					24
4000					28
4500					30
5000					34

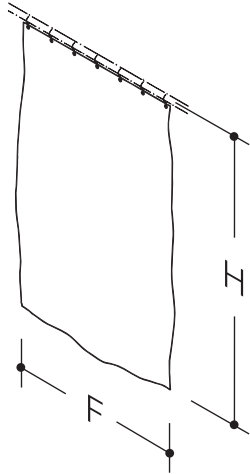
Other dimensions available on request

**HEWI Shower curtain rails** pages 112-119, 222-225 and 720-721



Item Number

Dimensions in mm / Specification



**801.34.01039**



**801.34.01040**



**801.34.01041**

**New** **801.34.01039**

**New** **801.34.01040**

**New** **801.34.01041**

**HEWI Shower curtain, special dimensions**

- curtain with hemmed sides
- with stainless steel roll seam and top edge with punched stainless steel eyelets suitable for HEWI curtain rings
- washable at 40 °C and disinfectable at 60 °C
- shower proof, antistatic
- microbial and bacterial resistant
- with a Teflon finish for longer durability
- made of 100 % polyester, manufactured individually

· pure wool white pattern

· pure pebble grey pattern

· pure grey green pattern

**Please note:**

**Ordering aid, installation tip, order form** pages 734, 735

Curtain width (F) in mm	Curtain height (H) in mm				Number of eyelets
	1601-1800	1801-2000	2001-2200	2201-2400	
700					6
1000					6
1200					8
1400					10
1800					12
2000					14
2300					16
2500					18
2900					20
3500					24
4000					28
4500					30
5000					34

Other dimensions available on request

**HEWI Shower curtain rails** pages 112-119, 222-225 and 720-721

Shower curtains

**Specifications**

**Ordering aid for:**

Shower curtains

802.34.01030 **page 729**

801.34.01001 **page 730**

801.34.01038 **page 731**

801.34.01034 **page 732**

801.34.01039 **page 733**

801.34.01040 **page 733**

801.34.01041 **page 733**

Curtain rails (L in mm)	Curtain width (F in mm)	Eyelets (number)
0 - 600	700	6
601 - 800	1000	6
801 - 1000	1200	8
1001 - 1200	1400	10
1201 - 1350	1800	12
1351 - 1550	2000	14
1551 - 1700	2300	16
1701 - 1950	2500	18
1951 - 2300	2900	20
2301 - 2650	3500	24
2651 - 3000	4000	28
3001 - 3400	4500	30
3401 - 3800	5000	34

**Explanation of coding**

**H** = middle of rail to bottom edge of curtain

**F** = width of finished curtain

(when ascertaining curtain width, take fold requirements into account as necessary)

**L** = length of curtain rail

**Checklist**

for shower curtains

We require the following information from you when you place your order:

- **order number**
- **number of units required**
- **pattern type**
- **H in mm**
- **F in mm**
- **area for inscription**  
(inscription if required)

**Ward:**  
**Floor:**  
**Room:**

All curtain widths are available in individual lengths, as required.

**All curtains are manufactured individually and cannot be exchanged or taken back!**

**Installation tip for:**

Shower curtains

802.34.01030 **page 729**

801.34.01001 **page 730**

801.34.01038 **page 731**

801.34.01034 **page 732**

801.34.01039 **page 733**

801.34.01040 **page 733**

801.34.01041 **page 733**

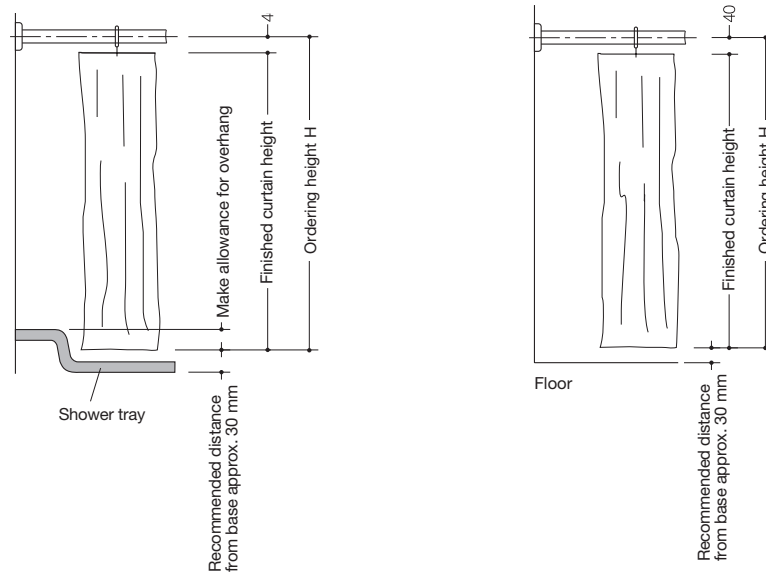
**Recommendation for correct mounting height of shower curtain rail**

The mounting height should be selected in such a way that a minimum of 40 cm clearance is left between the curtain rail and the ceiling. This prevents the curtain from pulling towards the user's body during showering.

**Important:**

The curtain measurement differs from your order measurement by **40 mm** – see sketch. This difference is the distance between the middle of the curtain rail and the top of the shower curtain.

The length of the curtain should be chosen in such a way that the curtain does not have contact with the bottom of the shower tray or with the floor.





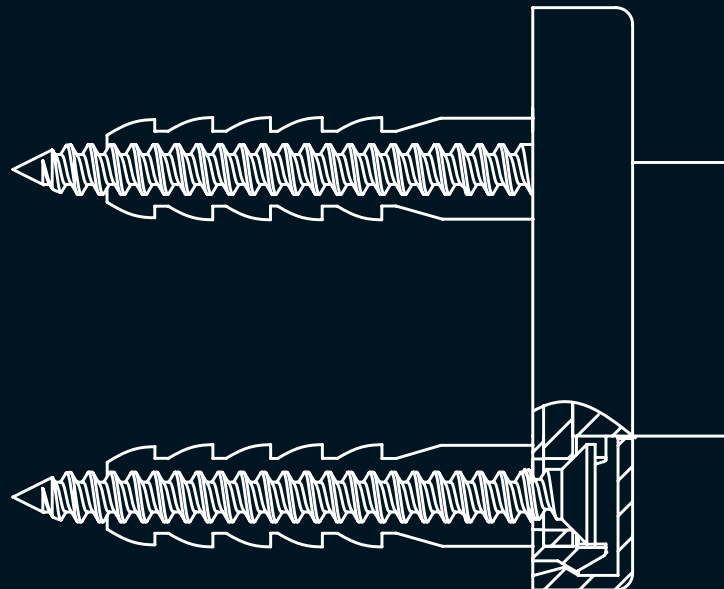


# Fixings

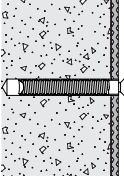
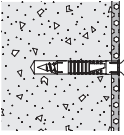
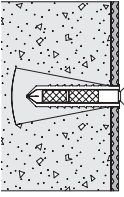
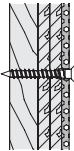
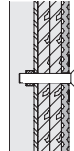
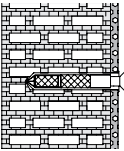
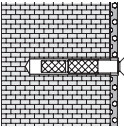
## Systems and ranges

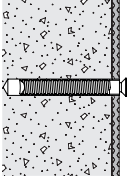
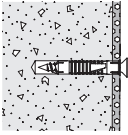
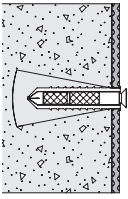
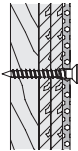
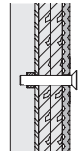
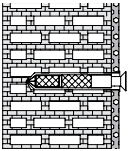
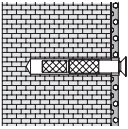
### FIXINGS

Hinged/Stationary support rails	738 – 740
Hinged seats	738 – 739
Backrest rails	741 – 742
Rose fixings	742 – 743
Others	743 – 744

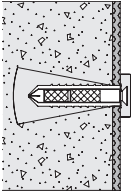
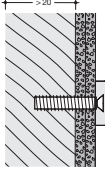
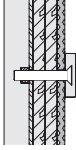
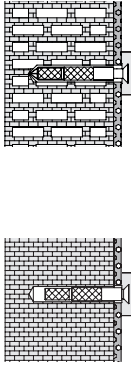


# Fixings

Fixing type for:	Shower spray guard, stationary and hinged support rails 801/805 Classic Hinged seats   mobile hinged seats 950... Mobile hinged support rails 950... Hinged support rails   hinged seats 900 Hinged seats 802 LifeSystem without height adjustment	Hinged support rails 802 LifeSystem without height adjustment
For fixing on walls made of:		
<p>concrete &gt; C20/C25</p>  <p><b>National technical approval number: ETA-11/0493</b></p>	<p><b>BM17.2</b></p> <p><b>Supplied with</b> 2 stainless steel screws M 10 x 30 2 internal thread sleeves M 10 x 110</p> <p><b>additionally</b> injection mortar (HEWI item No.: 200311) <b>or to be provided on site</b> injection mortar HIT-HY200A (Hilti) extrusion tool HDM (Hilti)</p>	<p><b>BM17.3</b></p> <p><b>Supplied with</b> 3 stainless steel screws M10 x 30 3 internal thread sleeves M10 x 110 3 washers <math>\varnothing</math> 22 x 5</p> <p><b>additionally</b> injection mortar (HEWI item No.: 200311) <b>or to be provided on site</b> injection mortar HIT-HY200A (Hilti) extrusion tool HDM (Hilti)</p>
<p>concrete &gt; C20/C25</p> 	<p><b>BM10.2</b></p> <p><b>Supplied with</b> 2 stainless steel countersunk screws <math>\varnothing</math> 10 x 95 2 plugs HILTI HUD 14 x 70</p>	<p><b>BM10.3</b></p> <p><b>Supplied with</b> 3 stainless steel countersunk screws <math>\varnothing</math> 10 x 95 3 plugs HILTI HUD 14 x 70 3 washers <math>\varnothing</math> 22 x 5</p>
<p>autoclaved aerated concrete (&gt; P2)</p> 	<p><b>BM11.2</b></p> <p><b>Supplied with</b> 2 stainless steel screws M10 x 30 2 mesh sleeves HIT-SC 22 x 85 2 internal thread sleeves HIT-IC</p> <p><b>additionally</b> injection mortar (HEWI item No.: 200266) <b>or to be provided on site</b> injection mortar HIT-HY 270 extrusion tool HDM (Hilti) standard undercut drill 22/100</p>	<p><b>BM11.3</b></p> <p><b>Supplied with</b> 3 stainless steel screws M10 x 30 3 mesh sleeves HIT-SC 22 x 85 3 internal thread sleeves HIT-IC 3 washers <math>\varnothing</math> 22 x 5</p> <p><b>additionally</b> injection mortar (HEWI item No.: 200266) <b>or to be provided on site</b> injection mortar HIT-HY 270 extrusion tool HDM (Hilti) standard undercut drill 22/100</p>
 <p>lightweight walls with rear lining made of laminated timber boards (with waterproof bonding, at least 30 mm thick required, e.g. studs or pre wall installation)</p>	<p><b>BM12.2</b></p> <p><b>Supplied with</b> 2 stainless steel countersunk screws <math>\varnothing</math> 10 x 95</p>	<p><b>BM12.3</b></p> <p><b>Supplied with</b> 3 stainless steel countersunk screws <math>\varnothing</math> 10 x 95 3 washers <math>\varnothing</math> 22 x 5</p>
 <p>lightweight walls with integrated steel plates (e.g. studs or pre wall installation)</p>	<p><b>BM13.2</b></p> <p><b>Supplied with</b> 2 stainless steel screws M10 x 60</p>	<p><b>BM13.3</b></p> <p><b>Supplied with</b> 3 stainless steel screws M10 x 60 3 washers <math>\varnothing</math> 22 x 5</p>
 <p><b>with mesh sleeve <math>\varnothing</math> 18 mm</b></p> <ul style="list-style-type: none"> <li>· hollow lightweight concrete block</li> <li>· vertically perforated bricks</li> <li>· hollow lightweight concrete block</li> <li>· lightweight aggregate concrete with open structure</li> </ul> <p><b>National technical approval number: ETA-13/1036</b></p>  <p><b>without mesh sleeve</b></p> <ul style="list-style-type: none"> <li>· hollow concrete block</li> <li>· vertically perforated bricks</li> </ul>	<p><b>BM18.2</b></p> <p><b>Supplied with</b> 2 stainless steel screws M10 x 30 2 mesh sleeves HIT-SC 18 x 85 2 internal thread sleeves HIT-IC</p> <p><b>additionally</b> injection mortar (HEWI item No.: 200266) <b>or to be provided on site</b> injection mortar HIT-HY 270 extrusion tool HDM (Hilti)</p>	<p><b>BM18.3</b></p> <p><b>Supplied with</b> 3 stainless steel screws M10 x 30 3 mesh sleeves HIT-SC 18 x 85 3 internal thread sleeves HIT-IC 3 washers <math>\varnothing</math> 22 x 5</p> <p><b>additionally</b> injection mortar (HEWI item No.: 200266) <b>or to be provided on site</b> injection mortar HIT-HY 270 extrusion tool HDM (Hilti)</p>

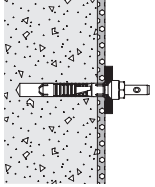
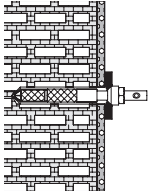
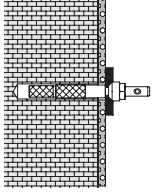
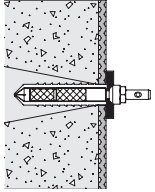
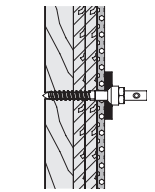
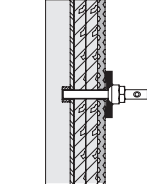
<p>Fixing type for:</p>	<p>Stationary and hinged support rails 950...</p>	<p>Hinged seats 801 Hinged seats 802 LifeSystem with height adjustment Hinged support rails 802 LifeSystem with height adjustment Height adjustable plate 950.50.10260</p>
<p>For fixing on walls made of:</p>		
<p>concrete &gt; C20/C25</p>  <p><b>National technical approval number: ETA-11/0493</b></p>	<p><b>BM17.4</b></p> <p><b>Supplied with</b> 3 stainless steel screws M10 x 30 3 internal thread sleeves M10 x 110 1 washer ø 22 x 5</p> <p><b>additionally</b> injection mortar (HEWI item No.: 200311) <b>or to be provided on site</b> injection mortar HIT-HY200A (Hilti) extrusion tool HDM (Hilti)</p>	<p><b>BM27.4</b></p> <p><b>Supplied with</b> 4 stainless steel screws M10 x 30 4 internal thread sleeves M10 x 110</p> <p><b>additionally</b> injection mortar (HEWI item No.: 200311) <b>or to be provided on site</b> injection mortar HIT-HY200A (Hilti) extrusion tool HDM (Hilti)</p>
<p>concrete &gt; C20/C25</p> 	<p><b>BM10.4</b></p> <p><b>Supplied with</b> 3 stainless steel countersunk screws ø 10 x 95 3 plugs HILTI HUD 14 x 70 1 washer ø 22 x 5</p>	<p><b>BM20.4</b></p> <p><b>Supplied with</b> 4 stainless steel countersunk screws ø 10 x 95 4 plugs HILTI HUD 14 x 70</p>
<p>autoclaved aerated concrete (&gt; P2)</p> 	<p><b>BM11.4</b></p> <p><b>Supplied with</b> 3 stainless steel screws M10 x 30 3 mesh sleeves HIT-SC 22 x 85 3 internal thread sleeves HIT-IC 1 washer ø 22 x 5</p> <p><b>additionally</b> injection mortar (HEWI item No.: 200266) <b>or to be provided on site</b> injection mortar HIT-HY 270 extrusion tool HDM (Hilti) standard undercut drill 22/100)</p>	<p><b>BM21.4</b></p> <p><b>Supplied with</b> 4 stainless steel screws M10 x 30 4 mesh sleeves HIT-SC 22 x 85 4 internal thread sleeves HIT-IC</p> <p><b>additionally</b> injection mortar (HEWI item No.: 200266) <b>or to be provided on site</b> injection mortar HIT-HY 270 extrusion tool HDM (Hilti) standard undercut drill 22/100)</p>
 <p>lightweight walls with rear lining made of laminated timber boards (with waterproof bonding, at least 30 mm thick required, e.g. studs or pre wall installation)</p>	<p><b>BM12.4</b></p> <p><b>Supplied with</b> 3 stainless steel countersunk screws ø 10 x 95 1 washer ø 22 x 5</p>	<p><b>BM22.4</b></p> <p><b>Supplied with</b> 4 stainless steel countersunk screws ø 10 x 95</p>
 <p>lightweight walls with integrated steel plates (e.g. studs or pre wall installation)</p>	<p><b>BM13.4</b></p> <p><b>Supplied with</b> 3 stainless steel screws M10 x 60 1 washer ø 22 x 5</p>	<p><b>BM23.4</b></p> <p><b>Supplied with</b> 4 stainless steel screws M10 x 60</p>
 <p><b>with mesh sleeve ø 18 mm</b> · hollow lightweight concrete block · vertically perforated bricks · hollow lightweight concrete block · lightweight aggregate concrete with open structure</p>  <p><b>National technical approval number: ETA-13/1036</b> <b>without mesh sleeve</b> · hollow concrete block · vertically perforated bricks</p>	<p><b>BM18.4</b></p> <p><b>Supplied with</b> 3 stainless steel screws M10 x 30 3 mesh sleeves HIT-SC 18 x 85 3 internal thread sleeves HIT-IC 1 washer ø 22 x 5</p> <p><b>additionally</b> injection mortar (HEWI item No.: 200266) <b>or to be provided on site</b> injection mortar HIT-HY 270 (Hilti)</p>	<p><b>BM28.4</b></p> <p><b>Supplied with</b> 4 stainless steel screws M10 x 30 4 mesh sleeves HIT-SC 18 x 85 4 internal thread sleeves HIT-IC</p> <p><b>additionally</b> injection mortar (HEWI item No.: 200266) <b>or to be provided on site</b> injection mortar HIT-HY 270 extrusion tool HDM (Hilti)</p>

# Fixings

<p><b>Fixing type for:</b></p>	<p><b>Cover kit with fixing for:</b>  <b>Stationary/hinged support rails 801/805 Classic</b>  <b>Shower spray guard 801/805 Classic</b></p>
<p><b>For fixing on walls made of:</b></p>	
 <p>autoclaved aerated concrete (&gt; P2)</p>	<p><b>36359</b></p> <p><b>Supplied with*</b></p> <ul style="list-style-type: none"> <li>2 stainless steel screws</li> <li>2 anchor sleeves</li> <li>2 mesh sleeves, ø 22 mm</li> <li>2 caps</li> <li>2 bases</li> </ul> <p><b>additionally</b></p> <p>injection mortar (HEWI item No.: 200266)</p> <p><b>or to be provided on site</b></p> <p>injection mortar HIT-HY 270  extrusion tool HDM (Hilti)  standard undercut drill 22/100)</p>
 <p>lightweight walls with rear lining made of laminated timber boards (with waterproof bonding, at least 30 mm thick required, e.g. studs or pre wall installation)</p>	<p><b>36358</b></p> <p><b>Supplied with*</b></p> <ul style="list-style-type: none"> <li>2 stainless steel screws</li> <li>2 stainless steel Rampa sleeves</li> <li>2 caps</li> <li>2 bases</li> </ul>
 <p>lightweight walls with integrated steel plates (e.g. studs or pre wall installation)</p>	<p><b>36357</b></p> <p><b>Supplied with*</b></p> <ul style="list-style-type: none"> <li>2 stainless steel screws</li> <li>2 caps</li> <li>2 bases</li> </ul>
 <p><b>with mesh sleeve ø 18 mm</b></p> <ul style="list-style-type: none"> <li>· hollow lightweight concrete block</li> <li>· vertically perforated bricks</li> <li>· hollow lightweight concrete block</li> <li>· lightweight aggregate concrete with open structure</li> </ul> <p><b>National technical approval number: ETA-13/1036</b></p> <p><b>Without mesh sleeve</b></p> <ul style="list-style-type: none"> <li>· hollow concrete block</li> <li>· vertically perforated bricks</li> </ul>	<p><b>63055</b></p> <p><b>Supplied with*</b></p> <ul style="list-style-type: none"> <li>2 stainless steel screws</li> <li>2 anchor sleeves</li> <li>2 mesh sleeves, ø 18 mm</li> <li>2 caps</li> <li>2 bases</li> </ul> <p><b>additionally</b> injection mortar (HEWI item No.: 200266)</p> <p><b>or to be provided on site</b></p> <p>injection mortar HIT-HY 270  extrusion tool HDM (Hilti)</p>

\* 2 caps made of high-quality polyamide in HEWI colour 99 (pure white)  
2 bases made of high-quality black polyamide



<p><b>Fixing type for:</b></p>	<p><b>Backrest rails 801/805 Classic both sides</b></p>	<p><b>Backrest rails 801/805 Classic one-sided</b></p>
<p><b>For fixing on walls made of:</b></p>		
 <p>concrete &gt; C20/C25</p> <p><b>National technical approval number: ETA-11/0493</b></p>	<p><b>BM10.2.1</b></p> <p><b>For fixing on stationary and hinged support rails 801/805 Classic with fixing BM10.2, BM17.2</b></p> <p><b>Supplied with**</b>                  2 stainless steel special screws <math>\varnothing 10 \times 95</math>                  2 centring sleeves <math>\varnothing 20 / \varnothing 11 \times 11,5</math>                  2 plugs HILTI HUD 14 x 70</p>	<p><b>BM10.2.2</b></p> <p><b>For fixing on stationary and hinged support rails 801/805 Classic with fixing BM10.2, BM17.2</b></p> <p><b>Supplied with**</b>                  1 stainless steel special screws <math>\varnothing 10 \times 95</math>                  1 centring sleeves <math>\varnothing 20 / \varnothing 11 \times 11,5</math>                  1 plugs HILTI HUD 14 x 70</p>
 <p><b>with mesh sleeve <math>\varnothing 18</math> mm</b></p> <ul style="list-style-type: none"> <li>· hollow lightweight concrete block</li> <li>· vertically perforated bricks</li> <li>· hollow lightweight concrete block</li> <li>· lightweight aggregate concrete with open structure</li> </ul> <p><b>without mesh sleeve</b></p> <ul style="list-style-type: none"> <li>· hollow concrete block</li> <li>· vertically perforated bricks</li> </ul>  <p><b>with mesh sleeve <math>\varnothing 22</math> mm</b></p> <ul style="list-style-type: none"> <li>· autoclaved aerated concrete (&gt; P2)</li> </ul> 	<p><b>BM11.2.1</b></p> <p><b>For fixing on stationary and hinged support rails 801/805 Classic with fixing BM11.2, BM18.2</b></p> <p><b>Supplied with**</b>                  2 stainless steel special screws M10 x 30                  2 centring sleeves <math>\varnothing 20 / \varnothing 11 \times 11,5</math></p>	<p><b>BM11.2.2</b></p> <p><b>For fixing on stationary and hinged support rails 801/805 Classic with fixing BM11.2, BM18.2</b></p> <p><b>Supplied with**</b>                  1 stainless steel special screws M10 x 30                  1 centring sleeves <math>\varnothing 20 / \varnothing 11 \times 11,5</math></p>
 <p>lightweight walls with rear lining made of laminated timber boards (with waterproof bonding, at least 30 mm thick required, e.g. studs or pre wall installation)</p>	<p><b>BM12.2.1</b></p> <p><b>For fixing on stationary and hinged support rails 801/805 Classic with fixing BM12.2</b></p> <p><b>Supplied with**</b>                  2 stainless steel special screws <math>\varnothing 10 \times 95</math>                  2 centring sleeves <math>\varnothing 20 / \varnothing 11 \times 11,5</math></p>	<p><b>BM12.2.2</b></p> <p><b>For fixing on stationary and hinged support rails 801/805 Classic with fixing BM12.2</b></p> <p><b>Supplied with**</b>                  1 stainless steel special screws <math>\varnothing 10 \times 95</math>                  1 centring sleeves <math>\varnothing 20 / \varnothing 11 \times 11,5</math></p>
 <p>lightweight walls with integrated steel plates (e.g. studs or pre wall installation)</p>	<p><b>BM13.2.1</b></p> <p><b>For fixing on stationary and hinged support rails 801/805 Classic with fixing BM13.2</b></p> <p><b>Supplied with**</b>                  2 stainless steel special screws M10 x 60                  2 centring sleeves <math>\varnothing 20 / \varnothing 11 \times 11,5</math></p>	<p><b>BM13.2.2</b></p> <p><b>For fixing on stationary and hinged support rails 801/805 Classic with fixing BM13.2</b></p> <p><b>Supplied with**</b>                  1 stainless steel special screws M10 x 60                  1 centring sleeves <math>\varnothing 20 / \varnothing 11 \times 11,5</math></p>

**\*\*Please note:**  
 Scope of delivery includes only fixing material for backrest rail.  
 Fixing material for hinged support rails to be ordered separately.

Item Number

Specification

200266

**Hilti HIT-HY 270 injection mortar in foil cartridge**

· for adding the fixing on walls made of:

**National technical approval number: ETA-13/1036**

· solid bricks, perforated calcium silicate block, hollow concrete block, vertically perforated bricks, hollow lightweight concrete block, lightweight aggregate concrete with open structure

**Without technical approval**

· autoclaved aerated concrete (> P2)  
 · for supplementing the fixing of stationary support rails and hinged support rails, hinged seats, shower spray guards and backrest rails  
 · to be provided for the HEWI fixing materials BM11.2, BM11.3, BM18.2, BM18.3, BM21.4, BM28.4, BM41.6, BM48.6, 36359, 62323, 63055, 63056  
 · incl. 2 perforated block mixers, volume: 330 ml

**To be provided by customer:** extrusion tool HDM (Hilti)

200311

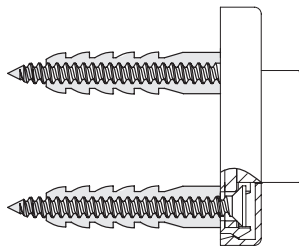
**Hilti HIT-HY 200A injection mortar in foil cartridge**

· for supplementing the fixing on walls made of concrete (> C20/C25)

**National technical approval number: ETA-11/0493**

· for supplementing the fixing of stationary support rails and hinged support rails, hinged seats and shower spray guards  
 · to be provided for the HEWI fixing materials BM17.2, BM17.3, BM17.4, BM27.4  
 · incl. 2 perforated block mixers, volume: 330 ml

**To be provided by customer:** extrusion tool HDM (Hilti)



BM210

**HEWI Fixing material**

· rose fixing for wall mounting

**Rail system 801/805 Classic**

**Shower curtain rails 801/805 Classic**

**Scope of delivery per rose**

2 stainless steel screws 6 x 70  
 2 plugs 8/40

BM211

**Rail system 801/805 Classic**

**Scope of delivery per rose**

3 stainless steel screws 6 x 70  
 3 plugs 8/40

BM214

**Ceiling supports 801/805 Classic**

**Scope of delivery per rose**

2 stainless steel screws 6 x 70  
 2 plugs 8/40  
 1 stud bolt M12 x 90

**For installation on lightweight walls you will need a rear lining, e.g. laminated timber boards, with waterproof bonding >20 mm thick.**

Item Number

Dimensions in mm / Specification

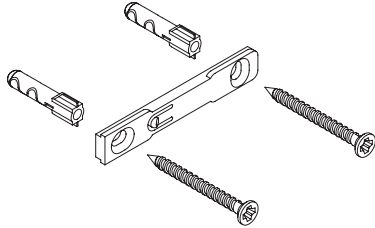


**BM1211**  
**BM1211B**

**HEWI Fixing kit**

**for bath towel rail 477.30... and grab bar 477.31... without roses**

- retro-fit of bath towel rails and grab bars  $\varnothing$  28 mm mounting with roses
  - roses  $\varnothing$  60 mm
  - supplied with fixing material, consisting of:
    - 3 stainless steel screws 6 x 70
    - 3 plugs 8/40
  - made of high-quality polyamide in 16 HEWI colours
  - made of high-quality matt polyamide in 5 HEWI colours
- Please advise colour when ordering.

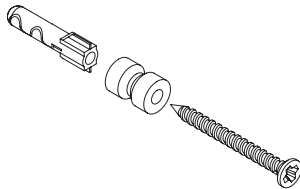


**BM1220**

**Fixing material for toilet roll holder 162.21.100... and 162.21.200...**

**Supplied with**

- 1 mounting base for toilet roll holder 162
- 2 stainless steel screws 4 x 50
- 2 plugs 6/36
- 1 offset screwdriver

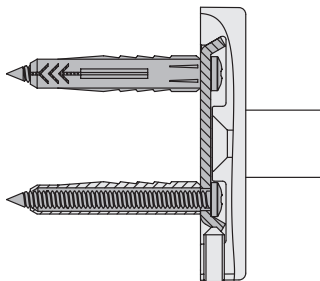


**BM1221**

**Fixing material for single hook and spare roll holder 162.90.010... and 162.21.300...**

**Supplied with**

- 1 mounting base for hooks or spare roll holder System 162
- 1 stainless steel screw 4 x 50
- 1 plug 6/36
- 1 offset screwdriver



**BM1263.2**

**Fixing material for rail system 950...**

- for rose fixings on the wall

**Supplied with for 2 rose fixings**

- 2 stainless steel wall plates 950
- 6 x stainless steel screws 5 x 60
- 6 x plugs 8 x 50
- 1 offset screwdriver

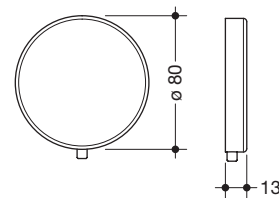
**For installation on lightweight walls you will need a rear lining, e.g. laminated timber boards, with waterproof bonding > 20 mm thick.**



**63086**  
**63157**

**HEWI Rose cover for mobile solutions**

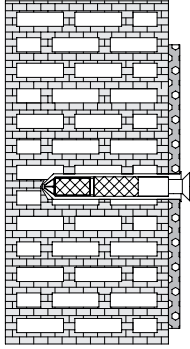
- used to cover the HEWI fixing BM1263.2 of rail systems 950...
- round cover rose,  $\varnothing$  80 mm, 13 mm high
- made of high-quality polyamide in 16 HEWI colours
- high-quality chrome-plated



# Fixings

Item Number

Specification



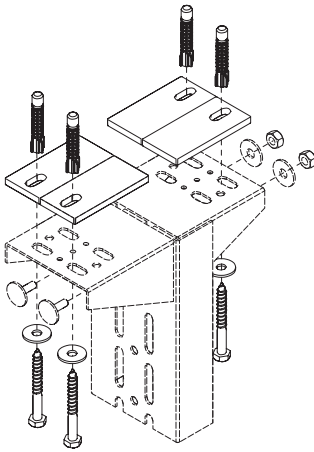
BM1288

**HEWI Fixing material  
for S 50 height-adjustable prewall installation**

- for solid brick, sand-lime perforated block, hollow concrete block, vertically perforated brick, hollow lightweight concrete block, lightweight aggregate concrete with open structure

**Supplied with**

- 2 stainless steel screws M8 x 35
- 2 mesh sleeves HIT-SC 18 x 85
- 2 internal thread sleeves HIT-IC



BM1305

**HEWI Fixing material  
for S 50 height-adjustable prewall installation**

- for fixing to drywall reinforcement profiles

**Supplied with**

- 12 hexagon wood screws 8 x 70 mm
- 12 plugs MEA  $\varnothing$  10 x 60 mm
- 12 sound insulation elements S 50 feet
- 2 stainless steel screws M8 x 60
- 4 stainless steel screws M8 x 55
- 18 stainless steel washers
- 8 washers (polyamide)  $\varnothing$  23,5 /  $\varnothing$  8,5
- 6 stainless steel nuts M8



BM1296

**HEWI Fixing material  
for single lever washbasin mixer tap AQ 800, AQ 800 K,  
AQ 477/801, AQ 162**

- for AQ1.12M10140, AQ1.12M10240, AQ1.12M10440 and AQ1.12M10540



BM1297

**HEWI Fixing material**

- for electronic washbasin fittings



BM1300

**HEWI Fixing material  
for single lever washbasin mixer tap AQ 100**

- for AQ1.12M10040



BM1302

**HEWI Fixing material  
for single lever washbasin mixer tap AQ 950**

- for AQ1.12M10340

# General information

**HEWI HOTLINE**

---

Monday – Thursday 07:30 am – 17:00 pm  
Friday 07:30 am – 14:00 pm  
Phone: +44 1634 258200  
Fax: +44 1634 250099  
eMail: [info@hewi.co.uk](mailto:info@hewi.co.uk)

---

**INDEX**

---

New products, changes	746 – 751
Numerical index	752 – 790
Service	792 – 793
Product characteristics, certifications	794
Material characteristics, care tips	795
International terms of sale	796 – 799
Colours, surfaces	see inlay on back page

---



**NEW PRODUCTS**

**Range 477/801 ICONIC**

477.20.101	Toilet brush unit	801.35B3161	Shower grab rail with adjustable vertical support bar
477.20.102	Toilet brush unit	801.35B3200	Shower grab rail with adjustable vertical support bar
477.20.103	Toilet brush unit	801.35B3201	Shower grab rail with adjustable vertical support bar
477.20B101	Toilet brush unit	801.36.1000	Support rail
477.20B102	Toilet brush unit	801.36.1001	Support rail
477.20B103	Toilet brush unit	801.36.1002	Support rail
477.33.103	Rail with shower head holder	801.36.1003	Support rail
477.33.104	Rail with shower head holder	801.36.1300	Support rail
477.33B103	Rail with shower head holder	801.36.1301	Support rail
477.33B104	Rail with shower head holder	801.36.1302	Support rail
477.99.001	Single hook set	801.36.1303	Support rail
477.99.002	Single hook set	801.36B1000	Support rail
477.99.003	Single hook set	801.36B1001	Support rail
477.99B001	Single hook set	801.36B1002	Support rail
477.99B002	Single hook set	801.36B1003	Support rail
477.99B003	Single hook set	801.36B130	Support rail
477.99.004	Double hook set	801.36B1300	Support rail
477.99.005	Double hook set	801.36B1301	Support rail
477.99.006	Double hook set	801.36B1302	Support rail
477.99B004	Double hook set	801.36B1303	Support rail
477.99B005	Double hook set	801.50.1000	Hinged support rail, rotatable
477.99B006	Double hook set	801.50.1001	Hinged support rail, rotatable
550.23T41	Handle	801.50.1002	Hinged support rail, rotatable
550.23BT.41	Handle	801.50.1100	Hinged support rail, rotatable
570.99.003	Coat hanger set	801.50.1200	Hinged support rail, rotatable
570.99.004	Coat hanger set	801.50.2000	Hinged support rail
570.99.005	Coat hanger set	801.50.2001	Hinged support rail
570.99B003	Coat hanger set	801.50.2002	Hinged support rail
570.99B004	Coat hanger set	801.50.2100	Hinged support rail
570.99B005	Coat hanger set	801.50.2200	Hinged support rail
801.33.1000	Rail with shower head holder	801.50.3000	Stationary support rail
801.33.1001	Rail with shower head holder	801.50.3001	Stationary support rail
801.33.1100	Rail with shower head holder	801.50.3002	Stationary support rail
801.33.1101	Rail with shower head holder	801.50.3003	Stationary support rail
801.33.1102	Rail with shower head holder	801.50.3004	Stationary support rail
801.33.1103	Rail with shower head holder	801.50B1000	Hinged support rail, rotatable
801.33.2100	L-shaped support rail with shower head holder	801.50B1001	Hinged support rail, rotatable
801.33.2101	L-shaped support rail with shower head holder	801.50B1002	Hinged support rail, rotatable
801.33.2160	L-shaped support rail with shower head holder	801.50B1100	Hinged support rail, rotatable
801.33.2161	L-shaped support rail with shower head holder	801.50B1200	Hinged support rail, rotatable
801.33B1000	Rail with shower head holder	801.50B2000	Hinged support rail
801.33B1001	Rail with shower head holder	801.50B2001	Hinged support rail
801.33B1100	Rail with shower head holder	801.50B2002	Hinged support rail
801.33B1101	Rail with shower head holder	801.50B2100	Hinged support rail
801.33B1102	Rail with shower head holder	801.50B2200	Hinged support rail
801.33B1103	Rail with shower head holder	801.50B3000	Stationary support rail
801.33B2100	L-shaped support rail with shower head holder	801.50B3001	Stationary support rail
801.33B2101	L-shaped support rail with shower head holder	801.50B3002	Stationary support rail
801.33B2160	L-shaped support rail with shower head holder	801.50B3003	Stationary support rail
801.33B2161	L-shaped support rail with shower head holder	801.50B3004	Stationary support rail
801.35.3100	Shower grab rail with adjustable vertical support bar	801.51.2000	Hinged seat
801.35.3101	Shower grab rail with adjustable vertical support bar	801.51.2001	Hinged seat
801.35.3160	Shower grab rail with adjustable vertical support bar	801.51.2002	Hinged seat
801.35.3161	Shower grab rail with adjustable vertical support bar	801.51.2100	Hinged seat
801.35.3200	Shower grab rail with adjustable vertical support bar	801.51B2000	Hinged seat
801.35.3201	Shower grab rail with adjustable vertical support bar	801.51B2001	Hinged seat
801.35B3100	Shower grab rail with adjustable vertical support bar	801.51B2002	Hinged seat
801.35B3101	Shower grab rail with adjustable vertical support bar	801.51B2100	Hinged seat
801.35B3160	Shower grab rail with adjustable vertical support bar	801.90.032	Double coat hook
		801.90.033	Double coat hook
		801.90.034	Double coat hook
		801.90.035	Double coat hook

801.90B032	Double coat hook	477.06B10598	Disinfectant/soap dispenser
801.90B033	Double coat hook	477.06B10599	Disinfectant/soap dispenser
801.90B034	Double coat hook	477.06B11005	Soap dispenser
801.90B035	Double coat hook	477.06B11015	Soap dispenser
801.99.001	Hook set	477.06B11025	Soap dispenser
801.99.002	Double hook set	477.06B11035	Soap dispenser
801.99B001	Hook set	477.06B60198	Paper towel dispenser
801.99B002	Double hook set	477.06B60199	Paper towel dispenser
		477.21.60098	Large toilet roll holder
		477.21.60099	Large toilet roll holder
		477.21B60098	Large toilet roll holder
		477.21B60099	Large toilet roll holder
<b>Range 477/801 Dispenser products</b>			
477.05.10198	Hygiene waste bin		
477.05.10199	Hygiene waste bin		
477.05.10298	Hygiene combination		
477.05.10299	Hygiene combination		
477.05.20198	Waste paper bin	477.93.010	Single hook
477.05.20199	Waste paper bin	477.93.020	Double hook
477.05.20298	Waste paper bin	477.93.030	Triple hook
477.05.20299	Waste paper bin	477.94B010	Single hook
477.05.20398	Waste paper bin	477.94B020	Double hook
477.05.20399	Waste paper bin	477.94B030	Triple hook
477.05.20498	Hygiene waste bin	570.99.001	Coat hanger set
477.05.20499	Hygiene waste bin	570.99.002	Coat hanger set
477.05.20598	Hygiene combination	801.35.236	Shower grab rail with rail with shower head holder
477.05.20599	Hygiene combination	801.35.246	Shower grab rail with rail with shower head holder
477.05B10198	Hygiene waste bin	801.35.360	Shower grab rail with adjustable vertical support bar
477.05B10199	Hygiene waste bin	801.35.366	Shower grab rail with adjustable vertical support bar
477.05B10298	Hygiene combination	801.35.370	Shower grab rail with adjustable vertical support bar
477.05B10299	Hygiene combination	801.35.376	Shower grab rail with adjustable vertical support bar
477.05B20198	Waste paper bin	801.35.426	Shower grab rail with adjustable vertical support bar
477.05B20199	Waste paper bin		
477.05B20298	Waste paper bin	System 900 Q	
477.05B20299	Waste paper bin	900Q03.00040	Shelf 200 mm
477.05B20398	Waste paper bin	900Q03.00060	Shelf 200 mm
477.05B20399	Waste paper bin	900Q03.00240	Shelf with soap dispenser
477.05B20498	Hygiene waste bin	900Q03.00260	Shelf with soap dispenser
477.05B20499	Hygiene waste bin	900Q03.00740	Shelf with glass plate 600 mm
477.05B20598	Hygiene combination	900Q03.00760	Shelf with glass plate 600 mm
477.05B20599	Hygiene combination	900Q03.007XA	Shelf with glass plate 600 mm
477.06.10198	Soap dispenser	900Q04.00040	Glass tumbler with holder
477.06.10199	Soap dispenser	900Q04.00060	Glass tumbler with holder
477.06.10298	SENSORIC Liquid soap dispenser	900Q06.00040	Soap dispenser with holder
477.06.10299	SENSORIC Liquid soap dispenser	900Q06.00060	Soap dispenser with holder
477.06.10398	SENSORIC Foam soap dispenser	900Q09.00040	Towel rail
477.06.10399	SENSORIC Foam soap dispenser	900Q09.00060	Towel rail
477.06.10498	SENSORIC Disinfectant dispenser	900Q09.000XA	Towel rail
477.06.10499	SENSORIC Disinfectant dispenser	900Q20.00040	Toilet brush unit
477.06.10598	Disinfectant/soap dispenser	900Q20.00060	Toilet brush unit
477.06.10599	Disinfectant/soap dispenser	900Q20.00160	Toilet brush unit
477.06.11005	Soap dispenser	900Q20.001XA	Toilet brush unit
477.06.11015	Soap dispenser	900Q20.00260	Toilet brush unit
477.06.11025	Soap dispenser	900Q20.002XA	Toilet brush unit
477.06.11035	Soap dispenser	900Q21.00040	Toilet roll holder
477.06.60198	Paper towel dispenser	900Q21.00060	Toilet roll holder
477.06.60199	Paper towel dispenser	900Q21.000XA	Toilet roll holder
477.06B10198	Soap dispenser	900Q21.00140	Toilet roll holder with lid
477.06B10199	Soap dispenser	900Q21.00160	Toilet roll holder with lid
477.06B10298	SENSORIC Liquid soap dispenser	900Q21.001XA	Toilet roll holder with lid
477.06B10299	SENSORIC Liquid soap dispenser	900Q21.00240	Toilet roll holder with shelf
477.06B10398	SENSORIC Foam soap dispenser	900Q21.00260	Toilet roll holder with shelf
477.06B10399	SENSORIC Foam soap dispenser	900Q21.002XA	Toilet roll holder with shelf
477.06B10498	SENSORIC Disinfectant dispenser	900Q21.00340	Spare roll holder
477.06B10499	SENSORIC Disinfectant dispenser	900Q21.00360	Spare roll holder
		900Q21.003XA	Spare roll holder





900.36.01540	Support rail
900.36.01560	Support rail
900.36.015XA	Support rail
900.36.01640	Cover for mounting plate
900.36.01660	Cover for mounting plate
900.36.016XA	Cover for mounting plate
900.36.01740	Mounting plate with cover
900.36.01760	Mounting plate with cover
900.36.017XA	Mounting plate with cover
900.36.018XA	Mounting plate
900.36.0S3XA	Support rail, special length
900.51.911XA	Backrest rail
900.51.91140	Backrest rail
900.51.91160	Backrest rail
900.51.912XA	Backrest rail
900.51.91240	Backrest rail
900.51.91260	Backrest rail
900.51.913XA	Backrest rail
900.51.91340	Backrest rail
900.51.91360	Backrest rail
900.51.914XA	Backrest rail
900.51.91440	Backrest rail
900.51.91460	Backrest rail

**Range 802 LifeSystem**

802.52.01039	Shower spray guard curtain
802.52.0104...	Shower spray guard curtain
802.52.20039	Shower spray guard
802.52.2004...	Shower spray guard
802.50.01260	Upgrade kit walking aid holder
802.50.01360	Upgrade kit Shelf
802.50.021XA	Floor support
802.50.022XA	Floor support
802.50.023XA	Floor support
802.50.024XA	Floor support
802.50.026XA	Floor support
802.50.027XA	Floor support

**Range 805 Classic**

805.50.550	Hinged support rail, model E
805.50.551	Mobile hinged support rail
805.50.560	Hinged support rail, model E
805.50.561	Mobile hinged support rail
805.50.570	Hinged support rail, model E
805.50.571	Mobile hinged support rail
805.50.750	Hinged support rail, model E
805.50.751	Mobile hinged support rail
805.50.760	Hinged support rail, model E
805.50.761	Mobile hinged support rail
805.50.770	Hinged support rail, model E
805.50.771	Mobile hinged support rail

**System 162**

162.03.20060	Shower shelf
162.06.11165	Soap dispenser with holder
162.21.11040	Toilet roll holder with shelf
162.21.11060	Toilet roll holder with shelf
162.21.110XA	Toilet roll holder with shelf
162.30.20140	Bath towel rail
162.30.20160	Bath towel rail
162.30.201XA	Bath towel rail

**Range 815**

815.00.001	Adhesive set
815.00.002	Adhesive set
815.00.003	Adhesive set
815.04.11145	Glass tumbler with holder
815.04.11165	Glass tumbler with holder
815.06.11145	Soap- or disinfectant dispenser with holder
815.06.11165	Soap- or disinfectant dispenser with holder
815.06.11365	Soap- or disinfectant dispenser with holder
815.09.11140	Towel rail, chrome-plated
815.09.11160	Towel rail, matt black powder-coated
815.09.30140	Towel ring, chrome-plated
815.09.30160	Towel ring, matt black powder-coated
815.20.10145	Toilet brush unit, chrome-plated
815.20.10165	Toilet brush unit, matt black powder-coated
815.21.10140	Toilet roll holder, chrome-plated
815.21.10160	Toilet roll holder, matt black powder-coated
815.21.20140	Toilet roll holder with lid, chrome-plated
815.21.20160	Toilet roll holder with lid, matt black powder-coated
815.21.30140	Spare roll holder, chrome-plated
815.21.30160	Spare roll holder, matt black powder-coated
815.21.31140	Spare roll holder, double, chrome-plated
815.21.31160	Spare roll holder, double, matt black powder-coated
815.30.11140	Bath towel rail, chrome-plated
815.30.11160	Bath towel rail, matt black powder-coated
815.90.01140	Hook, chrome-plated
815.90.01160	Hook, matt black powder-coated
815.90.02140	Double hook, chrome-plated
815.90.02160	Double hook, matt black powder-coated

**System 800 powder-coated**

800.02.11060	Soap dish with holder
800.02.11065	Soap dish with holder
800.03.10060	Shelf
800.03.10065	Shelf
800.03.20060	Utility dish
800.03.30060	Shower basket
800.03B400	Tumbler rack with hooks, 4 places
800.03B401	Tumbler rack, 4 places
800.03B402	Tumbler rack with triple hooks, 4 places
800.03B403	Shelf with hooks, 4 places
800.03B404	Shelf with triple hooks, 4 places
800.03B410	Extension set tumbler rack with hooks, 4 places
800.03B411	Extension set tumbler rack, 4 places
800.03B412	Extension set tumbler rack with hooks
800.03B413	Extension set shelf with hooks, 4 places
800.03B414	Extension set shelf with triple hooks, 4 places
800.04.11060	Tumbler with holder
800.04.11065	Glass tumbler with holder
800.06.11060	Soap dispenser with holder
800.06.11065	Soap dispenser with holder
800.09.10260	Towel rail
800.20.10260	Toilet brush unit
800.20.10265	Toilet brush unit
800.20.20260	Toilet brush unit
800.20B01090	Toilet brush unit
800.21.10260	Toilet roll holder
800.21.11260	Toilet roll holder
800.21.30260	Spare roll holder
800.30.11260	Bath towel rail
800.30.12260	Bath towel rail
800.36.10260	Support rail

800.36.11260	Support rail
800.90.01260	Hook
800.90.02260	Hook
800.90.06260	Double hook

**S 50 Height-adjustable modules**

S50.01.00001	Fidlock fixing set
S50.02.00001	Fidlock fixing set
S50.02.00002	Holder for mounting plate hinged support rail
S50.02.00012	Mounting plate hinged support rail
S50.02.00013	Mounting plate hinged support rail
S50.02.00021	Mounting plate hinged support rail
S50.02.00034	Mounting plate hinged support rail
S50.02.00035	Mounting plate hinged support rail
S50.02.00042	Mounting plate hinged support rail
S50.02.00043	Mounting plate hinged support rail

**Re-seat family**

950.51.30060	Shower stool
950.51.30160	Shower stool
950.51.30260	Shower stool
950.51.31060	Bath chair
950.51.31160	Bath chair
950.51.40060	Shower stool
950.51.40160	Shower stool
950.51.40260	Shower stool
950.51.41060	Bath chair
950.51.41160	Bath chair

**Fittings**

AQ1.12M11040	Single lever washbasin mixer tap
AQ1.12M11060	Single lever washbasin mixer tap
AQ1B12M11040	Single lever washbasin mixer tap
AQ1B12M11060	Single lever washbasin mixer tap
AQ1D12M11040	Single lever washbasin mixer tap

**Washbasins | Modular washbasin system**

950.11.102	Washbasin
950.11.103	Washbasin
950.11.162	Washbasin
950.11.163	Washbasin
950.11.203	Washbasin
950.11.204	Washbasin
950.11.603	Washbasin
950.11.603S	Washbasin, variable length
950.11.604	Washbasin
950.11.604S	Washbasin, variable length
950.12.301	Row washbasin with height graduation
950.12.302	Row washbasin with height graduation
950.12.303	Row washbasin with height graduation
950.12.304	Row washbasin with height graduation
950.12.305	Row washbasin with height graduation
950.12.306	Row washbasin with height graduation
950.12.307	Row washbasin with height graduation
950.12.308	Row washbasin with height graduation
950.13.0022	Washbasin profile with support rail
950.13.0023	Washbasin profile with support rail
950.13.0024	Washbasin profile with support rail
950.13.0025	Washbasin profile with support rail
950.13.0026	Towel rail
950.13.0027	Walking aid holder
950.13.0028	Shelf

950.13.0029	Wall profile with shelf
950.13.0030	Wall profile with shelf
950.13.0031	Wall profile with shelf
950.13.0032	Wall profile with shelf and hooks
950.13.0033	Wall profile with caps
950.13.200S	Washbasin, modular, special length
950.13.201S	Washbasin, modular, special length
950.13.202	Washbasin, modular
950.13.202S	Washbasin, modular, special length
950.13.203	Washbasin, modular
950.13.203S	Washbasin, modular, special length
950.13.300	Washbasin, modular
950.13.301	Washbasin, modular
950.13.302	Washbasin, modular
950.13.303	Washbasin, modular
M40.11.502	Washbasin
M40.11.503	Washbasin
950.19.080	Product set washbasin and support rail
950.19.081	Product set washbasin with support rail and 2 hooks
950.19.082	Product set washbasin with support rail and shelf
950.19.083	Product set washbasin with support rail, 2 shelves and hook
950.19.084	Product set washbasin with 2 shelves and hook
950.19.085	Product set washbasin and support rail
950.19.086	Product set washbasin and support rail
950.19.087	Product set washbasin and support rail
950.19.088	Product set washbasin and support rail
950.19.089	Product set washbasin and support rail
950.19.090	Product set washbasin and support rail

**Universal products**

950.05.30502	Waste bin, 3 l
950.05.31502	Waste bin, 5 l
950.33.E076	Handspray
950.33.E077	Shower hose
950.33.E078	Shower hose
950.33.E079	Set hand shower and shower hose
950.33.E080	Set hand shower and shower hose

**Upgrade kits**

950.50.07090	Upgrade kit toilet roll holder
950.50.07190	Upgrade kit toilet roll holder
950.50.07290	Upgrade kit toilet roll holder
950.50.07390	Upgrade kit toilet roll holder

**Curtain designs**

801.34.01039	Shower curtain, special dimensions
801.34.0104...	Shower curtain, special dimensions
801.34.V0139	Shower curtain
801.34.V014...	Shower curtain
801.34.V0239	Shower curtain
801.34.V024...	Shower curtain
801.34.V0339	Shower curtain
801.34.V034...	Shower curtain
801.34.V0439	Shower curtain
801.34.V044...	Shower curtain
801.52.01039	Shower spray guard curtain
801.52.0104...	Shower spray guard curtain
801.52.10039	Shower spray guard
801.52.1004...	Shower spray guard
801.52B10039	Shower spray guard
801.52B1004...	Shower spray guard

**AVAILABLE UNTIL 31.10.2023****Colours**

The colours 24 (orange) and 72 (may green) have already been discontinued for accessible products by 31.03.2023.

**Range 477**

477.05.20011	Paper towel basket
477.05B20011	Paper towel basket

**Range 802 LifeSystem**

802.03.110L	Mirror shelf for continuous mirrors
802.03.110R	Mirror shelf for continuous mirrors
802.03.W110L	Mirror shelf White Edition for continuous mirrors
802.03.W110R	Mirror shelf White Edition for continuous mirrors
802.52.030	active+ Free-standing spray guard curtain
802.52.10030	Free-standing spray guard

**System 800 K**

950.50.31090	Stationary support rail Mono
950.50.31091	Stationary support rail Mono
950.50.31099	Stationary support rail Mono
950.50.32090	Stationary support rail Duo
950.50.32091	Stationary support rail Duo
950.50.32099	Stationary support rail Duo
950.50.33090	Stationary support rail Duo
950.50.33091	Stationary support rail Duo
950.50.33099	Stationary support rail Duo

**System S 01**

S01.10.100	Towel rail
S01.10.101	Towel rail

**Fittings**

AQ1.12M10040	Single lever washbasin mixer tap
AQ1.12M10740	Single lever washbasin mixer tap
AQ1.12M10540	Single lever washbasin mixer tap
AQ1.12S23040	SENSORIC Electronic washbasin fitting
AQ1.12S23140	SENSORIC Electronic washbasin fitting

**Washbasins**

950.11.110	Double washbasin
950.11.111	Double washbasin

**Education**

M20.00.001	Storage box Kids
M20.00.002	Property bag kids, princess motif
M20.00.003	Property bag kids, knight's castle motif
M20.00.004	Property bag kids, dog motif
M20.01.001	Single cube
M20.01.002	Single cube with triple hooks
M20.01.003	Single cube with elastic triple hooks
M20.02.001	Row module, 5 places with triple hooks
M20.02.002	Double module, 5 places with triple hooks
M20.02.003	Row module, 5 places with elastic triple hooks
M20.02.004	Double module, 5 places with elastic triple hooks
M20.03.001	Row module, 5 places with triple hooks
M20.03.002	Row module, 5 places with hooks
M20.03.003	Double module, 5 places with triple hooks
M20.03.004	Double module, 5 places with hooks
M20.03.005	Row module, 5 places with elastic hooks
M20.03.006	Row module, 5 places
M20.03.007	Double module, 5 places
M20.03.008	Double module, 5 places
M20.05.001	Bench with shoe rack
M20.05.002	Bench with shoe rack
M20.05.003	Bench with shoe rack

## General information | Numerical index

Item Number	Name	Page	Item Number	Name	Page
<b>Cloakrooms</b>			100.36.11040	Support rail	489
33.1700	Double coat hook	560	100.36.12040	Support rail	489
33.1770A	Pictogram-set	565	100.90.01040	Hook	486
33.1770B	Pictogram-set	565	100.90.02040	Hook	487
33.1770D	Pictogram-set	565	100.90.03040	Double hook	487
33.1770E	Pictogram-set	565			
33.1771A	Pictogram-set	565	<b>System 162</b>		
33.1771B	Pictogram-set	565	162.03.100540	Shelf	443
33.1771D	Pictogram-set	565	162.03.1005XA	Shelf	443
33.1771E	Pictogram-set	565	162.03.110540	Shelf	210, 443
33.1772A	Pictogram-set	565	162.03.11560	Shelf	210, 443
33.1772B	Pictogram-set	565	162.03.1105XA	Shelf	210, 443
33.1772D	Pictogram-set	565	162.03.20040	Shower shelf	449
33.1772E	Pictogram-set	565	162.03.20060	Shower shelf	449
33.7010	Cloakroom rail	562	162.04.11040	Tumbler with holder	198, 441
33.7010.6H	Cloakroom rail	558, 562	162.04.110540	Glass tumbler with holder	441
33.7010.6V	Cloakroom rail	558, 562	162.04.1105XA	Glass tumbler with holder	441
33.7010.7H	Cloakroom rail	558, 562	162.04.11060	Tumbler with holder	198, 441
33.7010.7V	Cloakroom rail	558, 562	162.04.110XA	Tumbler with holder	198, 441
33.7030	Cloakroom rail	560	162.06.11040	Soap dispenser with holder	442
33.7100A	Ceiling support	560	162.06.110540	Soap dispenser with holder	442
33.7100B	Ceiling support	560	162.06.1105XA	Soap dispenser with holder	442
33.7300.PB8	Cloakroom rail	561	162.06.110XA	Soap dispenser with holder	442
33.7310.6HP	Cloakroom rail	559, 563	162.06.11165	Soap dispenser with holder	442
33.7310.P8	Cloakroom rail	559, 563	162.09.10040	Towel rail	211, 443
33.7310.PB8	Cloakroom rail	559, 563	162.09.10060	Towel rail	211, 443
33.7410.PB8	Cloakroom rail	559, 563	162.09.100XA	Towel rail	211, 443
40.1710	Hook	560	162.09.11040	Towel rail	443
			162.09.110XA	Towel rail	443
<b>System 100</b>			162.20.10040	Toilet brush unit	446
100.02.11145	Soap dish with holder	485	162.20.10060	Toilet brush unit	446
100.03.01040	Support rail	486	162.20.100XA	Toilet brush unit	446
100.03.02040	Hookset for shower basket	490	162.21.10040	Toilet roll holder	445
100.03.10045	Shelf	486	162.21.10060	Toilet roll holder	445
100.03.20040	Shower basket	490	162.21.100XA	Toilet roll holder	445
100.04.12145	Glass tumbler with holder	485	162.21.11040	Toilet roll holder with shelf	445
100.06.11045	Soap dispenser with holder	485	162.21.11060	Toilet roll holder with shelf	445
100.09.10040	Towel rail	486	162.21.110XA	Toilet roll holder with shelf	445
100.20.01040	Toilet brush	488	162.21.20040	Toilet roll holder, double	445
100.20.10045	Toilet brush unit	488	162.21.200XA	Toilet roll holder, double	445
100.21.10040	Toilet roll holder	487	162.21.30040	Spare roll holder	215, 446
100.21.20040	Spare roll holder	487	162.21.30060	Spare roll holder	215, 446
100.30.10040	Bath towel shelf	489	162.21.300XA	Spare roll holder	215, 446
100.30.20040	Bath towel rail	489	162.30.10040	Towel rail	444
100.30.21040	Bath towel rail	489	162.30.10060	Towel rail	444
100.36.10040	Support rail	489	162.30.100XA	Towel rail	444

Item Number	Name	Page	Item Number	Name	Page
162.30.11040	Bath towel rail	449	477.03B500	Glass plate holder	88
162.30.20040	Bath towel rail	221, 448	477.03B510	Glass plate holder	88
162.30.20060	Bath towel rail	221, 448	477.03D100	active+ Shelf	87
162.30.200XA	Bath towel rail	221, 448	477.04.020	Tumbler, flat bottom	24, 79
162.30.20140	Bath towel rail	448	477.04.02005	Tumbler, flat bottom	79
162.30.20160	Bath towel rail	448	477.04B020	Tumbler, flat bottom	24, 79
162.30.201XA	Bath towel rail	448	477.04D020	active+ Tumbler, flat bottom	79
162.33.10040	Rail with shower head holder	447	477.05.100	Waste bin	107
162.36.10040	Support rail	448	477.05.10198	Hygiene waste bin	106, 666
162.36.20040	Support rail	448	477.05.10199	Hygiene waste bin	50, 106, 666
162.90.01040	Single hook	213, 444	477.05.10298	Hygiene combination	106, 666
162.90.01060	Single hook	213, 444	477.05.10299	Hygiene combination	50, 106, 666
162.90.010XA	Single hook	213, 444	477.05.20012	Paper towel basket	86
162.90.03040	Double hook	213, 444	477.05.20198	Waste paper bin	85, 663
162.90.03060	Double hook	213, 444	477.05.20199	Waste paper bin	30, 85, 663
162.90.030XA	Double hook	213, 444	477.05.20298	Waste paper bin	85, 663
<b>Range 477</b>					
477.00.100	Holder	24, 79	477.05.20299	Waste paper bin	30, 85, 663
477.00.200	Holder	25, 80	477.05.20398	Waste paper bin	31, 664
477.00B100	Holder	24, 79	477.05.20399	Waste paper bin	31, 84, 664
477.00B200	Holder	25, 80	477.05.20498	Hygiene waste bin	105, 665
477.00D100	active+ Holder	79	477.05.20499	Hygiene waste bin	49, 105, 665
477.01.010	Plate glass mirror	90, 645	477.05.20598	Hygiene combination	105, 665
477.01.020	Plate glass mirror	90, 645	477.05.20599	Hygiene combination	49, 105, 665
477.01.100	Mirror clip	37, 89	477.05.300	Waste bin	107
477.01B100	Mirror clip	37, 89	477.05B100	Waste bin	107
477.02.01005	Soap dish insert	24, 79	477.05B10198	Hygiene waste bin	106, 666
477.02.02005	Soap dish insert	25, 81	477.05B10199	Hygiene waste bin	50, 106, 666
477.02.100	Soap dish	24, 80	477.05B10298	Hygiene combination	106, 666
477.02.200	Soap dish	25, 80	477.05B10299	Hygiene combination	50, 106, 666
477.02B100	Soap dish	24, 80	477.05B20012	Paper towel basket	86
477.02B200	Soap dish	25, 80	477.05B20198	Waste paper bin	85, 663
477.02D100	active+ Soap dish	80	477.05B20199	Waste paper bin	30, 85, 663
477.03.100	Shelf	37, 87	477.05B20298	Waste paper bin	85, 663
477.03.10005	Shelf	87	477.05B20299	Waste paper bin	30, 85, 663
477.03.300	Storage dish	37, 111	477.05B20398	Waste paper bin	31, 664
477.03.500	Glass plate holder	88	477.05B20399	Waste paper bin	31, 84, 664
477.03.510	Glass plate holder	88	477.05B20498	Hygiene waste bin	105, 665
477.03.524	Glass plate	89	477.05B20499	Hygiene waste bin	49, 105, 665
477.03.533	Glass plate	89	477.05B20598	Hygiene combination	105, 665
477.03.545	Glass plate	89	477.05B20599	Hygiene combination	49, 105, 665
477.03.560	Glass plate	89	477.05B300	Waste bin	107
477.03B100	Shelf	37, 87	477.05D100	active+ Waste bin	107
477.03B10005	Shelf	87	477.05D20012	active+ Paper towel basket	86
477.03B300	Storage dish	37, 111	477.06.10005	Soap dispenser	81
			477.06.10198	Soap dispenser	29, 662
			477.06.10199	Soap dispenser	29, 82, 662

## General information | Numerical index

Item Number	Name	Page	Item Number	Name	Page
477.06.10298	SENSORIC Liquid soap dispenser	83, 661	477.20.100	Toilet brush unit	100
477.06.10299	SENSORIC Liquid soap dispenser	28, 83, 661	477.20.10005	Toilet brush unit	100
477.06.10398	SENSORIC Foam soap dispenser	83, 661	477.20.101	Toilet brush unit	46
477.06.10399	SENSORIC Foam soap dispenser	28, 83, 661	477.20.102	Toilet brush unit	46
477.06.10498	SENSORIC Disinfectant dispenser	83, 661	477.20.103	Toilet brush unit	46
477.06.10499	SENSORIC Disinfectant dispenser	28, 83, 661	477.20.200	Toilet brush unit	100
477.06.10598	Disinfectant/soap dispenser	82, 660	477.20B010	Toilet brush	102
477.06.10599	Disinfectant/soap dispenser	27, 82, 660	477.20B100	Toilet brush unit	100
477.06.11005	Soap dispenser	26	477.20B10005	Toilet brush unit	100
477.06.11015	Soap dispenser	26	477.20B101	Toilet brush unit	46
477.06.11025	Soap dispenser	26	477.20B102	Toilet brush unit	46
477.06.11035	Soap dispenser	26	477.20B103	Toilet brush unit	46
477.06.60005	Paper towel dispenser	86	477.20B200	Toilet brush unit	100
477.06.60198	Paper towel dispenser	84, 662	477.20D010	active+ Toilet brush	102
477.06.60199	Paper towel dispenser	29, 84, 662	477.20D100	active+ Toilet brush unit	100
477.06.750	Hygiene bag dispenser	47, 102, 667	477.21.100	Toilet roll holder	47, 98
477.06B10005	Soap dispenser	81	477.21.150	Toilet roll holder	98
477.06B10198	Soap dispenser	29, 662	477.21.200	Spare roll holder	47, 98
477.06B10199	Soap dispenser	29, 82, 662	477.21.300	Spare roll holder	99
477.06B10298	SENSORIC Liquid soap dispenser	83, 661	477.21.60098	Large toilet roll holder	104, 664
477.06B10299	SENSORIC Liquid soap dispenser	28, 83, 661	477.21.60099	Large toilet roll holder	48, 104, 664
477.06B10398	SENSORIC Foam soap dispenser	83, 661	477.21B100	Toilet roll holder	47, 98
477.06B10399	SENSORIC Foam soap dispenser	28, 83, 661	477.21B150	Toilet roll holder	98
477.06B10498	SENSORIC Disinfectant dispenser	83, 661	477.21B200	Spare roll holder	47, 98
477.06B10499	SENSORIC Disinfectant dispenser	28, 83, 661	477.21B300	Spare roll holder	99
477.06B10598	Disinfectant/soap dispenser	82, 660	477.21B60098	Large toilet roll holder	104, 664
477.06B10599	Disinfectant/soap dispenser	27, 82, 660	477.21B60099	Large toilet roll holder	48, 104, 664
477.06B11005	Soap dispenser	26	477.21D100	active+ Toilet roll holder	98
477.06B11015	Soap dispenser	26	477.21D200	active+ Spare roll holder	98
477.06B11025	Soap dispenser	26	477.21.E01	Carousel	48
477.06B11035	Soap dispenser	26			
477.06B60005	Paper towel dispenser	86	477.30.020	Hook	111, 560
477.06B60198	Paper towel dispenser	84, 662	477.30.100	Bath towel rail	39, 109
477.06B60199	Paper towel dispenser	29, 84, 662	477.30.110	Bath towel rail	109
477.06B750	Hygiene bag dispenser	47, 102	477.30.200	Bath towel rail	39, 109
477.06D10005	active+ Soap dispenser	81	477.30.210	Bath towel rail	109
477.06D60005	active+ Paper towel dispenser	86	477.30.300	Bath towel rail	39, 110
477.09.100	Towel rail	92	477.30.310	Bath towel rail	110
477.09.200	Towel rail	92	477.30.320	Bath towel rail	110
477.09.300	Towel ring	92	477.30.330	Bath towel rail	110
477.09B100	Towel rail	92	477.30.3S	Bath towel rail	110
477.09B200	Towel rail	92	477.30.E01	Hook	111
477.09B300	Towel ring	92	477.30B010	Hook	111
477.09D100	active+ Towel rail	92	477.30B020	Hook	111, 560
			477.30B100	Bath towel rail	39, 109
477.20.010	Toilet brush	102	477.30B110	Bath towel rail	109

Item Number	Name	Page	Item Number	Name	Page
477.30B200	Bath towel rail	39, 109	477.90.080	Hook	566
477.30B210	Bath towel rail	109	477.90.081	Hook	566
477.30B300	Bath towel rail	39, 110	477.90.99010	Single hook	716
477.30B310	Bath towel rail	110	477.90.99025	Double hook	716
477.30B320	Bath towel rail	110	477.90.99045	Coat hook	716
477.30B330	Bath towel rail	110	477.90B010	Single hook	93
477.30B3S	Bath towel rail	110	477.90B015	Hook	94
477.30D100	active+ Bath towel rail	109	477.90B025	Double hook	94
477.30D200	active+ Bath towel rail	109	477.90B030	Single hook	95
477.30D300	active+ Bath towel rail	110	477.90B035	Hook with bumper	95
477.30D310	active+ Bath towel rail	110	477.90B040	Hook	93
477.30D3S	active+ Bath towel rail	110	477.90B045	Coat hook	94
477.31.100	Grab bar	39, 110	477.90B050	Triple hook	42, 94
477.31.110	Grab bar	110	477.90B051	Triple hook	94
477.31.200	Handle or towel rail	39, 110	477.90B052	Triple hook	94
477.31B100	Grab bar	39, 110	477.90B060	Hook	566
477.31B110	Grab bar	110	477.90B061	Hook	566
477.31B200	Griff or Towel rail	39, 110	477.90B070	Hook	566
477.31D100	active+ Grab bar	110	477.90B071	Hook	566
477.32.100	Corner shelf	111	477.90B080	Hook	566
477.32B100	Corner shelf	111	477.90B081	Hook	566
477.33.100	Rail with shower head holder	148	477.90D010	active+ Single hook	93
477.33.103	Rail with shower head holder	58	477.90D025	active+ Double hook	94
477.33.104	Rail with shower head holder	58	477.90D050	active+ Triple hook	94
477.33.110	Rail with shower head holder	148	477.93.010	Single hook	96, 549
477.33.120	Rail with shower head holder	148	477.93.020	Double hook	96, 549
477.33B100	Rail with shower head holder	148	477.93.030	Triple hook	96, 549
477.33B103	Rail with shower head holder	58	477.94B010	Single hook	96, 549
477.33B104	Rail with shower head holder	58	477.94B020	Double hook	96, 549
477.33B110	Rail with shower head holder	148	477.94B030	Triple hook	96, 549
477.33B120	Rail with shower head holder	148	477.99.001	Single hook set	40
477.90.010	Single hook	93	477.99.002	Single hook set	40
477.90.015	Hook	95	477.99.003	Single hook set	40
477.90.025	Double hook	94	477.99B001	Single hook set	40
477.90.030	Single hook	95	477.99B002	Single hook set	40
477.90.035	Hook with bumper	95	477.99B003	Single hook set	40
477.90.040	Hook	93	477.99.004	Double hook set	41
477.90.045	Coat hook	94	477.99.005	Double hook set	41
477.90.050	Triple hook	42, 94	477.99.006	Double hook set	41
477.90.051	Triple hook	94	477.99B004	Double hook set	41
477.90.052	Triple hook	94	477.99B005	Double hook set	41
477.90.060	Hook	566	477.99B006	Double hook set	41
477.90.061	Hook	566	550.23T41	Handle	69
477.90.070	Hook	566	550.23BT.41	Handle	69
477.90.071	Hook	566			

## General information | Numerical index

Item Number	Name	Page	Item Number	Name	Page
<b>Coat hangers</b>			800.03.20060	Utility dish	468
570.1	Coat hanger	564	800.03.20090	Utility dish	367
570.1B	Coat hanger	564	800.03.20091	Utility dish	367
570.2	Coat hanger	564	800.03.20099	Utility dish	367
570.3	Coat hanger	564	800.03.30041	Shower basket	474
570.3B	Coat hanger	564	800.03.30060	Shower basket	474
570.4	Coat hanger	564	800.03.30090	Shower basket	371
570.99.001	Coat hanger set	564	800.03.30091	Shower basket	371
570.99.002	Coat hanger set	564	800.03.30099	Shower basket	371
570.99.003	Coat hanger set	68	800.03.400	Tumbler rack with hooks, 4 places	34, 546
570.99.004	Coat hanger set	68	800.03.401	Tumbler rack, 4 places	35, 547
570.99.005	Coat hanger set	68	800.03.402	Tumbler rack with triple hooks, 4 places	36, 548
570.99B003	Coat hanger set	68	800.03.403	Shelf with hooks, 4 places	32, 544
570.99B004	Coat hanger set	68	800.03.404	Shelf with triple hooks, 4 places	33, 545
570.99B005	Coat hanger set	68	800.03.410	Extension set tumbler rack with hooks, 4 places	34, 546
571.3	Coat hanger	564	800.03.411	Extension set tumbler rack, 4 places	35, 547
571.4	Coat hanger	564	800.03.412	Extension set tumbler rack with triple hooks, 4 pl.	36, 548
<b>Symbols</b>			800.03.413	Extension set shelf with hooks, 4 places	32, 544
710XA.150.1	Symbol male	416	800.03.414	Extension set shelf with triple hooks, 4 places	33, 545
710XA.150.2	Symbol female	416	800.03B010	Insert	639
710XA.150.3	Symbol accessibility	416	800.03B400	Tumbler rack with hooks, 4 places	34
711BD	Symbol push	103	800.03B401	Tumbler rack, 4 places	35
711BZ	Symbol pull	103	800.03B402	Tumbler rack with triple hooks, 4 places	36
711D	Symbol push	103	800.03B403	Shelf with hooks, 4 places	32
711DXA	Symbol push	416	800.03B404	Shelf with triple hooks, 4 places	33
711Z	Symbol pull	103	800.03B410	Extension set tumbler rack with hooks, 4 places	34
711ZXA	Symbol pull	416	800.03B411	Extension set tumbler rack, 4 places	35
713	Picto-frame	559	800.03B412	Extension set tumbler rack with hooks	36
713.5	Picto-frame	559	800.03B413	Extension set shelf with hooks, 4 places	32
<b>System 800   800 K</b>			800.03B414	Extension set shelf with triple hooks, 4 places	33
800.00.10090	Holder	365	800.04.010	Tumbler, flat bottom	365, 639
800.01.10060	Adjustable mirror	469, 649	800.04.11041	Tumbler with holder	467
800.02.010	Soap dish	366	800.04.11045	Glass tumbler with holder	467
800.02.10090	Holder	366	800.04.11060	Tumbler with holder	467
800.02.11041	Soap dish with holder	468	800.04.11065	Glass tumbler with holder	467
800.02.11045	Soap dish with holder	468	800.04B010	Tumbler, flat bottom	639
800.02.11060	Soap dish with holder	468	800.06.010	Soap dispenser	365, 639
800.02.11065	Soap dish with holder	468	800.06.10091	Soap dispenser	366
800.03.010	Insert	639	800.06.10099	Soap dispenser	366
800.03.10041	Shelf	469	800.06.11041	Soap dispenser with holder	467
800.03.10045	Shelf	469	800.06.11045	Soap dispenser with holder	467
800.03.10060	Shelf	469	800.06.11060	Soap dispenser with holder	467
800.03.10065	Shelf	469	800.06.11065	Soap dispenser with holder	467
800.03.20041	Utility dish	468	800.06.75090	Hygiene bag dispenser	370, 675
			800.06.75091	Hygiene bag dispenser	370, 675
			800.06.75099	Hygiene bag dispenser	370, 675



Item Number	Name	Page	Item Number	Name	Page
800.06B010	Soap dispenser	639	<b>Range 801</b>		
800.09.10040	Towel rail	470	801.01.100	Adjustable mirror	38, 91, 649
800.09.10260	Towel rail	470	801.01.300	Mirror with holder	90, 645
800.20.01090	Toilet brush	369	801.01.400	LED-adjustable mirror	38, 91, 650
800.20.01091	Toilet brush	369	801.01.401	LED-adjustable mirror	91, 650
800.20.01099	Toilet brush	369	801.01B100	Adjustable mirror	38, 91, 649
800.20.10041	Toilet brush unit	473	801.01B300	Mirror with holder	90, 645
800.20.10045	Toilet brush unit	473	801.01B400	LED-adjustable mirror	38, 91, 650
800.20.10260	Toilet brush unit	473	801.01B401	LED-adjustable mirror	91, 650
800.20.10265	Toilet brush unit	473	801.01D100	active+ Adjustable mirror	91, 649
800.20.20041	Toilet brush unit	473	801.03.100	Shelf	87
800.20.20090	Toilet brush unit	369	801.03.200	Shelf with support rail	88
800.20.20091	Toilet brush unit	369	801.03B100	Shelf	87
800.20.20099	Toilet brush unit	369	801.03B200	Shelf with support rail	88
800.20.20260	Toilet brush unit	473	801.20.010	Toilet brush	101
800.20B01090	Toilet brush unit	473	801.20.020	Toilet brush	101
800.21.10040	Toilet roll holder	472	801.20.100	Toilet brush unit	101
800.21.10260	Toilet roll holder	472	801.20.200	Toilet brush unit	101
800.21.11040	Toilet roll holder	472	801.20B010	Toilet brush	101
800.21.11090	Toilet roll holder	370	801.20B020	Toilet brush	101
800.21.11260	Toilet roll holder	472	801.20B100	Toilet brush unit	101
800.21.30040	Spare roll holder	472	801.20B200	Toilet brush unit	101
800.21.30260	Spare roll holder	472	801.21.201	Spare roll holder	99
800.30.11040	Bath towel rail	474	801.21.202	Spare roll holder	99
800.30.11260	Bath towel rail	474	801.21.203	Spare roll holder	99
800.30.12040	Bath towel rail	474	801.21.300	Toilet roll holder	98
800.30.12260	Bath towel rail	474	801.21.401	Spare roll holder	99
800.36.10040	Support rail	470	801.21.402	Spare roll holder	99
800.36.10260	Support rail	470	801.21.403	Spare roll holder	99
800.36.11040	Support rail	470	801.21B201	Spare roll holder	99
800.36.11260	Support rail	470	801.21B202	Spare roll holder	99
800.51.30041	Stool	470	801.21B203	Spare roll holder	99
800.90.01040	Hook	471	801.21B300	Toilet roll holder	98
800.90.01090	Hook	367	801.21B401	Spare roll holder	99
800.90.01260	Hook	471	801.21B402	Spare roll holder	99
800.90.02040	Hook	471	801.21B403	Spare roll holder	99
800.90.02090	Hook	367	801.22.100	L-shaped support rail	58, 144
800.90.02260	Hook	471	801.22.10050	L-shaped support rail WARM TOUCH	354
800.90.03091	Single hook	368	801.22.106	L-shaped support rail	144
800.90.03099	Single hook	368	801.22.110	L-shaped support rail	58, 144
800.90.04091	Double hook	368	801.22.11050	L-shaped support rail WARM TOUCH	354
800.90.04099	Double hook	368	801.22.120	L-shaped support rail	144
800.90.05091	Triple hook	368	801.22.130	L-shaped support rail	144
800.90.05099	Triple hook	368	801.22.13050	L-shaped support rail WARM TOUCH	354
800.90.06040	Double hook	471	801.22.136	L-shaped support rail	144
800.90.06260	Double hook	471	801.22.140	L-shaped support rail	144

## General information | Numerical index

Item Number	Name	Page	Item Number	Name	Page
801.22.14050	L-shaped support rail WARM TOUCH	354	801.33B2100	L-shaped support rail with shower head holder	61
801.22.1S	L-shaped support rail, special length	144	801.33B2101	L-shaped support rail with shower head holder	61
801.22.200	L-shaped support rail	143	801.33B2160	L-shaped support rail with shower head holder	61
801.22.20050	L-shaped support rail WARM TOUCH	354	801.33B2161	L-shaped support rail with shower head holder	61
801.22.206	L-shaped support rail	143	801.33.110	Rail with shower head holder	148
801.22.300	L-shaped support rail	143	801.33.120	Rail with shower head holder	148
801.22.400	Floor to wall stationary support	146	801.33.10051	Rail with shower head holder WARM TOUCH	355
801.22.4S	Floor to wall stationary support, special length	146	801.33.10054	Rail with shower head holder WARM TOUCH	355
801.22.8100	L-shaped support rail with load up to 300 kg	708	801.33.11051	Rail with shower head holder WARM TOUCH	355
801.22.8400	Floor to wall stationary support with load up to 300 kg	709	801.33.11054	Rail with shower head holder WARM TOUCH	355
801.22B100	L-shaped support rail	58, 144	801.33.12051	Rail with shower head holder WARM TOUCH	355
801.22B106	L-shaped support rail	144	801.33.12054	Rail with shower head holder WARM TOUCH	355
801.22B110	L-shaped support rail	144	801.33.1S	Rail with shower head holder, special length	148
801.22B120	L-shaped support rail	58, 144	801.33.210	L-shaped support rail with shower head holder	149
801.22B130	L-shaped support rail	144	801.33.21051	L-shaped support rail w. shower head holder W T	356
801.22B136	L-shaped support rail	144	801.33.21054	L-shaped support rail w. shower head holder W T	356
801.22B140	L-shaped support rail	144	801.33.211	L-shaped sup. rail w. shower head holder, shower set	156
801.22B1S	L-shaped support rail, special length	144	801.33.212	L-shaped sup. rail w. shower head holder, shower set	156
801.22B200	L-shaped support rail	143	801.33.216	L-shaped support rail with shower head holder	149
801.22B206	L-shaped support rail	143	801.33.217	L-shaped sup. rail w. shower head holder, shower set	157
801.22B300	L-shaped support rail	143	801.33.218	L-shaped sup. rail w. shower head holder, shower set	157
801.22B400	Floor to wall stationary support	146	801.33.220	L-shaped support rail with shower head holder	149
801.22B4S	Floor to wall stationary support, special length	146	801.33.226	L-shaped support rail with shower head holder	149
801.22D100	active+ L-shaped support rail	144	801.33.2S	L-shaped support rail with shower head holder	149
801.22D110	active+ L-shaped support rail	144	801.33.8120	Rail with shower head holder with load up to 300 kg	711
801.22D130	active+ L-shaped support rail	144	801.33.99130	Rail with shower head holder	717
801.22D140	active+ L-shaped support rail	144	801.33.991S	Rail with shower head holder, special length	717
801.22D1S	active+ L-shaped support rail, special length	144	801.33B100	Rail with shower head holder	148
801.22D200	active+ L-shaped support rail	143	801.33B110	Rail with shower head holder	148
801.33.100	Rail with shower head holder	148	801.33B120	Rail with shower head holder	148
801.33.1000	Rail with shower head holder	59	801.33B1S	Rail with shower head holder, special length	148
801.33.1001	Rail with shower head holder	59	801.33B210	L-shaped support rail with shower head holder	149
801.33.1100	Rail with shower head holder	59	801.33B216	L-shaped support rail with shower head holder	149
801.33.1101	Rail with shower head holder	59	801.33B220	L-shaped support rail with shower head holder	149
801.33.1102	Rail with shower head holder	59	801.33B226	L-shaped support rail with shower head holder	149
801.33.1103	Rail with shower head holder	59	801.33B2S	L-shaped support rail with shower head holder	149
801.33.2100	L-shaped support rail with shower head holder	60	801.33D100	active+ Rail with shower head holder	148
801.33.2101	L-shaped support rail with shower head holder	60	801.33D110	active+ Rail with shower head holder	148
801.33.2160	L-shaped support rail with shower head holder	60	801.33D120	active+ Rail with shower head holder	148
801.33.2161	L-shaped support rail with shower head holder	60	801.33D1S	active+ Rail with shower head holder, special length	148
801.33B1000	Rail with shower head holder	59	801.33D210	active+ L-shaped support rail w. shower head holder	149
801.33B1001	Rail with shower head holder	59	801.33D220	active+ L-shaped support rail w. shower head holder	149
801.33B1100	Rail with shower head holder	59	801.33D2S	active+ L-shaped support rail w. shower head holder	149
801.33B1101	Rail with shower head holder	59	801.34.01001	active+ Shower curtain, special dimensions	730
801.33B1102	Rail with shower head holder	59	801.34.01034	Shower curtain, special dimensions	732
801.33B1103	Rail with shower head holder	59	801.34.01038	active+ Shower curtain, special dimensions	731

Item Number	Name	Page	Item Number	Name	Page
801.34.01039	Shower curtain, special dimensions	733	801.34.V0180	Shower curtain	728
801.34.01040	Shower curtain, special dimensions	733	801.34.V0201	active+ Shower curtain	726
801.34.01041	Shower curtain, special dimensions	733	801.34.V0234	Shower curtain	727
801.34.019	Ceiling support	119	801.34.V0238	active+ Shower curtain	726
801.34.01S	Ceiling support	119	801.34.V0239	Shower curtain	727
801.34.020	Ceiling support	119	801.34.V0240	Shower curtain	727
801.34.021	Ceiling support	119	801.34.V0241	Shower curtain	727
801.34.022	Ceiling support	119	801.34.V0280	Shower curtain	728
801.34.02S	Ceiling support, special length	119	801.34.V0301	active+ Shower curtain	726
801.34.03S	Ceiling support, special length	119	801.34.V0334	Shower curtain	727
801.34.100	Shower curtain rail	114	801.34.V0338	active+ Shower curtain	726
801.34.1061	Shower curtain rail with ceiling support	112	801.34.V0339	Shower curtain	727
801.34.1062	Shower curtain rail w. ceiling sup. a. shower curtain	113	801.34.V0340	Shower curtain	727
801.34.110	Shower curtain rail	114	801.34.V0341	Shower curtain	727
801.34.1161	Shower curtain rail with ceiling support	112	801.34.V0380	Shower curtain	728
801.34.1162	Shower curtain rail w. ceiling sup. a. shower curtain	113	801.34.V0401	active+ Shower curtain	726
801.34.120	Shower curtain rail	114	801.34.V0434	Shower curtain	727
801.34.1261	Shower curtain rail with ceiling support	112	801.34.V0438	active+ Shower curtain	726
801.34.130	Shower curtain rail	114	801.34.V0439	Shower curtain	727
801.34.140	Shower curtain rail	114	801.34.V0440	Shower curtain	727
801.34.1461	Shower curtain rail with ceiling support	112	801.34.V0441	Shower curtain	727
801.34.1462	Shower curtain rail w. ceiling sup. a. shower curtain	113	801.34.V0580	Shower curtain	728
801.34.14S	Shower curtain rail, special length	115	801.34.V0680	Shower curtain	728
801.34.1S	Shower curtain rail, special length	114	801.34.V0780	Shower curtain	728
801.34.300	Shower curtain rail	116	801.34.V0880	Shower curtain	728
801.34.310	Shower curtain rail	116	801.34.V0980	Shower curtain	728
801.34.320	Shower curtain rail	116	801.34B019	Ceiling support	119
801.34.34S	Shower curtain rail, special length	117	801.34B01S	Ceiling support	119
801.34.3S	Shower curtain rail, special length	116	801.34B020	Ceiling support	119
801.34.400	Shower curtain rail	118	801.34B021	Ceiling support	119
801.34.44S	Shower curtain rail, special length	118	801.34B022	Ceiling support	119
801.34.4S	Shower curtain rail	118	801.34B02S	Ceiling support	119
801.34.99020	Ceiling support	721	801.34B100	Shower curtain rail	114
801.34.99022	Ceiling support	721	801.34B1061	Shower curtain rail with ceiling support	112
801.34.9902S	Ceiling support	721	801.34B1062	Shower curtain rail with ceiling support	113
801.34.99100	Shower curtain rail	720	801.34B110	Shower curtain rail	114
801.34.99110	Shower curtain rail	720	801.34B1161	Shower curtain rail with ceiling support	112
801.34.991S	Shower curtain rail, special length	720	801.34B1162	Shower curtain rail with ceiling support	113
801.34.99400	Shower curtain rail	721	801.34B120	Shower curtain rail	114
801.34.994S	Shower curtain rail, special length	721	801.34B1261	Shower curtain rail with ceiling support	112
801.34.V0101	active+ Shower curtain	726	801.34B130	Shower curtain rail	114
801.34.V0134	Shower curtain	727	801.34B140	Shower curtain rail	114
801.34.V0138	active+ Shower curtain	726	801.34B1461	Shower curtain rail with ceiling support	112
801.34.V0139	Shower curtain	727	801.34B1462	Shower curtain rail with ceiling support	113
801.34.V0140	Shower curtain	727	801.34B14S	Shower curtain rail, special length	115
801.34.V0141	Shower curtain	727	801.34B1S	Shower curtain rail, special length	114

## General information | Numerical index

Item Number	Name	Page	Item Number	Name	Page
801.34B300	Shower curtain rail	116	801.35.330	Shower grab rail with adjustable vertical support bar	152
801.34B310	Shower curtain rail	116	801.35.340	Shower grab rail with adjustable vertical support bar	152
801.34B320	Shower curtain rail	116	801.35.346	Shower grab rail with adjustable vertical support bar	152
801.34B34S	Shower curtain rail, special length	117	801.35.350	Shower grab rail with adjustable vertical support bar	152
801.34B3S	Shower curtain rail, special length	116	801.35.360	Shower grab rail with adjustable vertical support bar	152
801.34B400	Shower curtain rail	118	801.35.366	Shower grab rail with adjustable vertical support bar	152
801.34B44S	Shower curtain rail, special length	118	801.35.370	Shower grab rail with adjustable vertical support bar	152
801.34B4S	Shower curtain rail, special length	118	801.35.376	Shower grab rail with adjustable vertical support bar	152
801.35.100	Support grab rail	145	801.35.3S	Shower grab rail with adjustable vertical support bar	152
801.35.110	Support grab rail	145	801.35.410	Shower grab rail with adjustable vertical support bar	154
801.35.11050	Support grab rail WARM TOUCH	355	801.35.41051	Shower grab rail with adjustable vertical support bar	357
801.35.120	Support grab rail	145	801.35.41054	Shower grab rail with adjustable vertical support bar	357
801.35.1S	Support grab rail, special length	145	801.35.420	Shower grab rail with adjustable vertical support bar	154
801.35.200	Support grab rail	147	801.35.42051	Shower grab rail with adjustable vertical support bar	357
801.35.210	Shower grab rail with shower head holder	150	801.35.42054	Shower grab rail with adjustable vertical support bar	357
801.35.21051	Rail w. vertical support bar a. shower head hol. W T	356	801.35.426	Shower grab rail with adjustable vertical support bar	154
801.35.21054	Rail w. vertical support bar a. shower head hol. W T	356	801.35.430	Shower grab rail with adjustable vertical support bar	154
801.35.211	L-shaped sup. rail w. shower head holder, shower set	158	801.35.43051	Shower grab rail with adjustable vertical support bar	357
801.35.212	L-shaped sup. rail w. shower head holder, shower set	158	801.35.43054	Shower grab rail with adjustable vertical support bar	357
801.35.216	Shower grab rail with shower head holder	150	801.35.440	Shower grab rail with adjustable vertical support bar	154
801.35.21S	Shower grab rail with shower head holder	150	801.35.450	Shower grab rail with adjustable vertical support bar	154
801.35.220	Shower grab rail with shower head holder	150	801.35.460	Shower grab rail with adjustable vertical support bar	154
801.35.226	Shower grab rail with shower head holder	150	801.35.4S	Shower grab rail with shower head holder	154
801.35.230	Shower grab rail with shower head holder	150	801.35.500	Shower grab rail	155
801.35.236	Shower grab rail with shower head holder	150	801.35.8110	Support grab rail with load up to 300 kg	711
801.35.240	Shower grab rail with shower head holder	150	801.35.99340	Shower grab rail with adjustable vertical support bar	718
801.35.246	Shower grab rail with shower head holder	150	801.35.993S	Shower grab rail with adjustable vertical support bar	719
801.35.2S	Support grab rail, special length	147	801.35B100	Support grab rail	145
801.35.300	Shower grab rail with adjustable vertical support bar	152	801.35B110	Support grab rail	145
801.35.310	Shower grab rail with adjustable vertical support bar	152	801.35B120	Support grab rail	145
801.35.3100	Shower grab rail with adjustable vertical support bar	62	801.35B1S	Support grab rail, special length	145
801.35.3101	Shower grab rail with adjustable vertical support bar	62	801.35B200	Support grab rail	147
801.35.31051	Shower grab rail with adjustable vertical support bar	357	801.35B210	Shower grab rail with shower head holder	151
801.35.31054	Shower grab rail with adjustable vertical support bar	357	801.35B216	Shower grab rail with shower head holder	151
801.35.311	Shower grab rail w. adjustable sup. bar + shower set	159	801.35B21S	Shower grab rail with shower head holder	151
801.35.312	Shower grab rail w. adjustable sup. bar + shower set	159	801.35B220	Shower grab rail with shower head holder	151
801.35.316	Shower grab rail with adjustable vertical support bar	152	801.35B226	Shower grab rail with shower head holder	151
801.35.3160	Shower grab rail with adjustable vertical support bar	62	801.35B230	Shower grab rail with shower head holder	151
801.35.3161	Shower grab rail with adjustable vertical support bar	62	801.35B240	Shower grab rail with shower head holder	151
801.35.317	Shower grab rail w. adjustable sup. bar + shower set	160	801.35B2S	Support grab rail, special length	147
801.35.318	Shower grab rail w. adjustable sup. bar + shower set	160	801.35B300	Shower grab rail with adjustable vertical support bar	153
801.35.320	Shower grab rail with adjustable vertical support bar	152	801.35B310	Shower grab rail with adjustable vertical support bar	153
801.35.3200	Shower grab rail with adjustable vertical support bar	62	801.35B3100	Shower grab rail with adjustable vertical support bar	63
801.35.3201	Shower grab rail with adjustable vertical support bar	62	801.35B3101	Shower grab rail with adjustable vertical support bar	63
801.35.32051	Shower grab rail with adjustable vertical support bar	357	801.35B316	Shower grab rail with adjustable vertical support bar	153
801.35.32054	Shower grab rail with adjustable vertical support bar	357	801.35B3160	Shower grab rail with adjustable vertical support bar	63

Item Number	Name	Page	Item Number	Name	Page
801.35B3161	Shower grab rail with adjustable vertical support bar	63	801.36.130	Support rail	142
801.35B320	Shower grab rail with adjustable vertical support bar	153	801.36.1300	Support rail	57
801.35B3200	Shower grab rail with adjustable vertical support bar	63	801.36.1301	Support rail	57
801.35B3201	Shower grab rail with adjustable vertical support bar	63	801.36.1302	Support rail	57
801.35B330	Shower grab rail with adjustable vertical support bar	153	801.36.1303	Support rail	57
801.35B340	Shower grab rail with adjustable vertical support bar	153	801.36.13050	Support rail WARM TOUCH	354
801.35B346	Shower grab rail with adjustable vertical support bar	153	801.36.136	Support rail	142
801.35B350	Shower grab rail with adjustable vertical support bar	153	801.36.140	Support rail	142
801.35B3S	Shower grab rail with adjustable vertical support bar	153	801.36.14050	Support rail WARM TOUCH	354
801.35B410	Shower grab rail with adjustable vertical support bar	154	801.36.150	Support rail	142
801.35B420	Shower grab rail with adjustable vertical support bar	154	801.36.15050	Support rail WARM TOUCH	354
801.35B430	Shower grab rail with adjustable vertical support bar	154	801.36.160	Support rail	142
801.35B440	Shower grab rail with adjustable vertical support bar	154	801.36.16050	Support rail WARM TOUCH	354
801.35B450	Shower grab rail with adjustable vertical support bar	154	801.36.170	Support rail	142
801.35B460	Shower grab rail with adjustable vertical support bar	154	801.36.17050	Support rail WARM TOUCH	354
801.35B4S	Shower grab rail with shower head holder	154	801.36.1S	Support rail, special length	142
801.35B500	Shower grab rail	155	801.36.8100	Support rail with load bearing capacity up to 300 kg	708
801.35D110	active+ Support grab rail	145	801.36.8110	Support rail with load bearing capacity up to 300 kg	708
801.35D1S	active+ Support grab rail, special length	145	801.36B1000	Support rail	57
801.35D210	active+ Shower grab rail with shower head holder	150	801.36B1001	Support rail	57
801.35D21S	active+ Shower grab rail with shower head holder	150	801.36B1002	Support rail	57
801.35D220	active+ Shower grab rail with shower head holder	150	801.36B1003	Support rail	57
801.35D310	active+ Shower grab rail with adjustable support bar	152	801.36B110	Support rail	142
801.35D320	active+ Shower grab rail with adjustable support bar	152	801.36B116	Support rail	142
801.35D340	active+ Shower grab rail with adjustable support bar	152	801.36B120	Support rail	142
801.35D350	active+ Shower grab rail with adjustable support bar	152	801.36B126	Support rail	142
801.35D3S	active+ Shower grab rail with shower head holder	152	801.36B130	Support rail	57
801.35D410	active+ Shower grab rail with adjustable support bar	154	801.36B1300	Support rail	57
801.35D420	active+ Shower grab rail with adjustable support bar	154	801.36B1301	Support rail	57
801.35D430	active+ Shower grab rail with adjustable support bar	154	801.36B1302	Support rail	57
801.35D440	active+ Shower grab rail with adjustable support bar	154	801.36B1303	Support rail	57
801.35D450	active+ Shower grab rail with adjustable support bar	154	801.36B136	Support rail	142
801.35D460	active+ Shower grab rail with adjustable support bar	154	801.36B140	Support rail	142
801.35D4S	active+ Shower grab rail with shower head holder	154	801.36B150	Support rail	142
801.36.100	Support rail	57, 142	801.36B160	Support rail	142
801.36.1000	Support rail	57	801.36B170	Support rail	142
801.36.1001	Support rail	57	801.36B1S	Support rail, special length	142
801.36.1002	Support rail	57	801.36D100	active+ Support rail	142
801.36.1003	Support rail	57	801.36D110	active+ Support rail	142
801.36.10050	Support rail WARM TOUCH	354	801.36D120	active+ Support rail	142
801.36.110	Support rail	142	801.36D130	active+ Support rail	142
801.36.11050	Support rail WARM TOUCH	354	801.36D140	active+ Support rail	142
801.36.116	Support rail	142	801.36D150	active+ Support rail	142
801.36.120	Support rail	142	801.36D160	active+ Support rail	142
801.36.12050	Support rail WARM TOUCH	354	801.36D170	active+ Support rail	142
801.36.126	Support rail	142	801.36D1S	active+ Support rail, special length	142

## General information | Numerical index

Item Number	Name	Page	Item Number	Name	Page
801.50.011	Upgrade kit toilet roll holder	55, 131, 709	801.50.201	Hinged support rail	126
801.50.060	Upgrade kit WC-toilet flushing solution (radio)	55, 131, 709	801.50.204S	Hinged support rail with floor support	126
801.50.100	Hinged support rail, rotatable	122	801.50.205S	Mobile hinged support rail with floor support	128
801.50.1000	Hinged support rail, rotatable	53	801.50.206	Hinged support rail	126
801.50.1001	Hinged support rail, rotatable	53	801.50.207	Mobile hinged support rail	128
801.50.1002	Hinged support rail, rotatable	53	801.50.208	Mobile hinged support rail	128
801.50.101	Hinged support rail, rotatable	122	801.50.210	Hinged support rail	126
801.50.104S	Hinged support rail with floor support, rotatable	122	801.50.2100	Hinged support rail	54
801.50.105S	Mobile hinged support rail with floor support, rotatable	124	801.50.211	Hinged support rail	126
801.50.106	Hinged support rail, rotatable	122	801.50.214S	Hinged support rail with floor support	126
801.50.107	Mobile hinged support rail, rotatable	124	801.50.215S	Mobile hinged support rail with floor support, rotatable	128
801.50.108	Mobile hinged support rail, rotatable	124	801.50.216	Hinged support rail	126
801.50.110	Hinged support rail, rotatable	122	801.50.217	Mobile hinged support rail	128
801.50.1100	Hinged support rail, rotatable	53	801.50.218	Mobile hinged support rail	128
801.50.111	Hinged support rail, rotatable	122	801.50.220	Hinged support rail	126
801.50.114S	Hinged support rail with floor support, rotatable	122	801.50.2200	Hinged support rail	54
801.50.115S	Mobile hinged support rail with floor support, rotatable	124	801.50.221	Hinged support rail	126
801.50.116	Hinged support rail, rotatable	122	801.50.224S	Hinged support rail with floor support	126
801.50.117	Mobile hinged support rail, rotatable	124	801.50.225S	Mobile hinged support rail with floor support	128
801.50.118	Mobile hinged support rail, rotatable	124	801.50.226	Hinged support rail	126
801.50.120	Hinged support rail, rotatable	122	801.50.227	Mobile hinged support rail	128
801.50.1200	Hinged support rail, rotatable	53	801.50.228	Mobile hinged support rail	128
801.50.121	Hinged support rail, rotatable	122	801.50.230	Hinged support rail	126
801.50.124S	Hinged support rail with floor support, rotatable	122	801.50.231	Hinged support rail	126
801.50.125S	Mobile hinged support rail with floor support, rotatable	124	801.50.234S	Hinged support rail with floor support	126
801.50.126	Hinged support rail, rotatable	122	801.50.235S	Mobile hinged support rail with floor support	128
801.50.127	Mobile hinged support rail, rotatable	124	801.50.236	Hinged support rail	126
801.50.128	Mobile hinged support rail, rotatable	124	801.50.237	Mobile hinged support rail	128
801.50.130	Hinged support rail	122	801.50.238	Mobile hinged support rail	128
801.50.131	Hinged support rail	122	801.50.240	Hinged support rail	126
801.50.134S	Hinged support rail with floor support, rotatable	122	801.50.241	Hinged support rail	126
801.50.135S	Mobile hinged support rail with floor support, rotatable	124	801.50.244S	Hinged support rail with floor support	126
801.50.136	Hinged support rail, rotatable	122	801.50.245S	Mobile hinged support rail with floor support	128
801.50.137	Mobile hinged support rail, rotatable	124	801.50.246	Hinged support rail	126
801.50.138	Mobile hinged support rail, rotatable	124	801.50.247	Mobile hinged support rail	128
801.50.140	Hinged support rail, rotatable	122	801.50.248	Mobile hinged support rail	128
801.50.141	Hinged support rail, rotatable	122	801.50.300	Stationary support rail	121
801.50.144S	Hinged support rail with floor support, rotatable	122	801.50.3000	Stationary support rail	52
801.50.145S	Mobile hinged support rail with floor support, rotatable	124	801.50.3001	Stationary support rail	52
801.50.146	Hinged support rail, rotatable	122	801.50.3002	Stationary support rail	52
801.50.147	Mobile hinged support rail, rotatable	124	801.50.3003	Stationary support rail	52
801.50.148	Mobile hinged support rail, rotatable	124	801.50.3004	Stationary support rail	52
801.50.200	Hinged support rail	126	801.50.301	Stationary support rail	121
801.50.2000	Hinged support rail	54	801.50.310	Stationary support rail	121
801.50.2001	Hinged support rail	54	801.50.311	Stationary support rail	121
801.50.2002	Hinged support rail	54	801.50.320	Stationary support rail	121

Item Number	Name	Page	Item Number	Name	Page
801.50.321	Stationary support rail	121	801.50B114S	Hinged support rail with floor support, rotatable	123
801.50.340	Stationary support rail	121	801.50B115S	Mobile hinged support rail with floor support, rotatable	125
801.50.341	Stationary support rail	121	801.50B116	Hinged support rail, rotatable	123
801.50.500	Hinged support rail, rotatable, E, flush rel./func. button	132	801.50B117	Mobile hinged support rail, rotatable	125
801.50.501	Hinged support rail, rotatable, E, flush rel./func. button	132	801.50B118	Mobile hinged support rail, rotatable	125
801.50.505	Hinged support rail, rotatable, E, flush rel./func. button	132	801.50B120	Hinged support rail, rotatable	123
801.50.510	Hinged support rail, rotatable, E, flush rel./func. button	132	801.50B1200	Hinged support rail, rotatable	53
801.50.511	Hinged support rail, rotatable, E, flush rel./func. button	132	801.50B121	Hinged support rail, rotatable	123
801.50.515	Hinged support rail, rotatable, E, flush rel./func. button	132	801.50B124S	Hinged support rail with floor support, rotatable	123
801.50.520	Hinged support rail, rotatable, E, flush rel./func. button	132	801.50B125S	Mobile hinged support rail with floor support, rotatable	125
801.50.525	Hinged support rail, rotatable, E, flush rel./func. button	132	801.50B126	Hinged support rail, rotatable	123
801.50.550	Hinged support rail, rotatable, E, flush rel. button	132	801.50B127	Mobile hinged support rail, rotatable	125
801.50.551	Hinged support rail, rotatable, E, flush rel. button	132	801.50B128	Mobile hinged support rail, rotatable	125
801.50.560	Hinged support rail, rotatable, E, flush rel. button	132	801.50B130	Hinged support rail, rotatable	123
801.50.561	Hinged support rail, rotatable, E, flush rel. button	132	801.50B131	Hinged support rail, rotatable	123
801.50.570	Hinged support rail, rotatable, E, flush rel. button	132	801.50B134S	Hinged support rail with floor support, rotatable	123
801.50.700	Hinged support rail, E, flush release/function button	134	801.50B135S	Mobile hinged support rail with floor support, rotatable	125
801.50.701	Hinged support rail, E, flush release/function button	134	801.50B136	Hinged support rail, rotatable	123
801.50.705	Hinged support rail, E, flush release/function button	134	801.50B137	Mobile hinged support rail, rotatable	125
801.50.710	Hinged support rail, E, flush release/function button	134	801.50B138	Mobile hinged support rail, rotatable	125
801.50.711	Hinged support rail, E, flush release/function button	134	801.50B140	Hinged support rail, rotatable	123
801.50.715	Hinged support rail, E, flush release/function button	134	801.50B141	Hinged support rail, rotatable	123
801.50.720	Hinged support rail, E, flush release/function button	134	801.50B144S	Hinged support rail with floor support, rotatable	123
801.50.725	Hinged support rail, E, flush release/function button	134	801.50B145S	Mobile hinged support rail with floor support, rotatable	125
801.50.750	Hinged support rail, model E, flush release button	135	801.50B146	Hinged support rail, rotatable	123
801.50.751	Hinged support rail, E, flush release/function button	135	801.50B147	Mobile hinged support rail, rotatable	125
801.50.760	Hinged support rail, model E, flush release button	135	801.50B148	Mobile hinged support rail, rotatable	125
801.50.761	Hinged support rail, E, flush release/function button	135	801.50B200	Hinged support rail	127
801.50.770	Hinged support rail, model E, flush release button	135	801.50B2000	Hinged support rail	54
801.50.812LS	Hinged support rail with load up to 300 kg	710	801.50B2001	Hinged support rail	54
801.50.812RS	Hinged support rail with load up to 300 kg	710	801.50B2002	Hinged support rail	54
801.50B011	Upgrade kit toilet roll holder	55, 131	801.50B201	Hinged support rail	127
801.50B060	Upgrade kit WC-toilet flushing solution (radio)	55, 131	801.50B204S	Hinged support rail with floor support	127
801.50B100	Hinged support rail, rotatable	123	801.50B205S	Mobile hinged support rail with floor support, rotatable	129
801.50B1000	Hinged support rail, rotatable	53	801.50B206	Hinged support rail	127
801.50B1001	Hinged support rail, rotatable	53	801.50B207	Mobile hinged support rail	129
801.50B1002	Hinged support rail, rotatable	53	801.50B208	Mobile hinged support rail	129
801.50B101	Hinged support rail, rotatable	123	801.50B210	Hinged support rail	127
801.50B104S	Hinged support rail with floor support, rotatable	123	801.50B2100	Hinged support rail	54
801.50B105S	Mobile hinged support rail with floor support, rotatable	125	801.50B211	Hinged support rail	127
801.50B106	Hinged support rail, rotatable	123	801.50B214S	Hinged support rail with floor support	127
801.50B107	Mobile hinged support rail, rotatable	125	801.50B215S	Mobile hinged support rail with floor support	129
801.50B108	Mobile hinged support rail, rotatable	125	801.50B216	Hinged support rail	127
801.50B110	Hinged support rail, rotatable	123	801.50B217	Mobile hinged support rail	129
801.50B1100	Hinged support rail, rotatable	53	801.50B218	Mobile hinged support rail	129
801.50B111	Hinged support rail, rotatable	123	801.50B220	Hinged support rail	127

## General information | Numerical index

Item Number	Name	Page	Item Number	Name	Page
801.50B2200	Hinged support rail	54	801.50B570	Hinged support rail, rotatable, E, flush rel. button	132
801.50B221	Hinged support rail	127	801.50B700	Hinged support rail, E, flush release/function button	134
801.50B224S	Hinged support rail with floor support	127	801.50B701	Hinged support rail, E, flush release/function button	134
801.50B225S	Mobile hinged support rail with floor support	129	801.50B705	Hinged support rail, E, flush release/function button	134
801.50B226	Hinged support rail	127	801.50B710	Hinged support rail, E, flush release/function button	134
801.50B227	Mobile hinged support rail	129	801.50B711	Hinged support rail, E, flush release/function button	134
801.50B228	Mobile hinged support rail	129	801.50B715	Hinged support rail, E, flush release/function button	134
801.50B230	Hinged support rail	127	801.50B720	Hinged support rail, E, flush release/function button	134
801.50B231	Hinged support rail	127	801.50B725	Hinged support rail, E, flush release/function button	134
801.50B234S	Hinged support rail with floor support	127	801.50B750	Hinged support rail, model E, flush release button	135
801.50B235S	Mobile hinged support rail with floor support	129	801.50B751	Hinged support rail, model E, flush release button	135
801.50B236	Hinged support rail	127	801.50B760	Hinged support rail, model E, flush release button	135
801.50B237	Mobile hinged support rail	129	801.50B761	Hinged support rail, model E, flush release button	135
801.50B238	Mobile hinged support rail	129	801.50B770	Hinged support rail, model E, flush release button	135
801.50B240	Hinged support rail	127	801.50D011	active+ Upgrade kit toilet roll holder	131
801.50B241	Hinged support rail	127	801.50D060	active+ Upgrade kit WC-toilet flushing solution (radio)	131
801.50B244S	Hinged support rail with floor support	127	801.50D100	active+ Hinged support rail, rotatable	122
801.50B245S	Mobile hinged support rail with floor support	129	801.50D107	active+ Mobile hinged support rail, rotatable	124
801.50B246	Hinged support rail	127	801.50D110	active+ Hinged support rail, rotatable	122
801.50B247	Mobile hinged support rail	129	801.50D117	active+ Mobile hinged support rail, rotatable	124
801.50B248	Mobile hinged support rail	129	801.50D120	active+ Hinged support rail, rotatable	122
801.50B300	Stationary support rail	121	801.50D127	active+ Mobile hinged support rail, rotatable	124
801.50B3000	Stationary support rail	52	801.50D130	active+ Hinged support rail, rotatable	122
801.50B3001	Stationary support rail	52	801.50D137	active+ Mobile hinged support rail, rotatable	124
801.50B3002	Stationary support rail	52	801.50D140	active+ Hinged support rail, rotatable	122
801.50B3003	Stationary support rail	52	801.50D147	active+ Mobile hinged support rail, rotatable	124
801.50B3004	Stationary support rail	52	801.50D200	active+ Hinged support rail	126
801.50B301	Stationary support rail	121	801.50D207	active+ Mobile hinged support rail	128
801.50B310	Stationary support rail	121	801.50D210	active+ Hinged support rail	126
801.50B311	Stationary support rail	121	801.50D217	active+ Mobile hinged support rail	128
801.50B320	Stationary support rail	121	801.50D220	active+ Hinged support rail	126
801.50B321	Stationary support rail	121	801.50D227	active+ Mobile hinged support rail	128
801.50B340	Stationary support rail	121	801.50D230	active+ Hinged support rail	126
801.50B341	Stationary support rail	121	801.50D237	active+ Mobile hinged support rail	128
801.50B500	Hinged support rail, rotatable, E, flush rel./func. button	132	801.50D240	active+ Hinged support rail	126
801.50B501	Hinged support rail, rotatable, E, flush rel./func. button	132	801.50D247	active+ Mobile hinged support rail	128
801.50B505	Hinged support rail, rotatable, E, flush rel./func. button	132	801.50D300	active+ Stationary support rail	121
801.50B510	Hinged support rail, rotatable, E, flush rel./func. button	132	801.50D310	active+ Stationary support rail	121
801.50B511	Hinged support rail, rotatable, E, flush rel./func. button	132	801.50D320	active+ Stationary support rail	121
801.50B515	Hinged support rail, rotatable, E, flush rel./func. button	132	801.50D340	active+ Stationary support rail	121
801.50B520	Hinged support rail, rotatable, E, flush rel./func. button	132	801.51.100	Removable hanging seat	166
801.50B525	Hinged support rail, rotatable, E, flush rel./func. button	132	801.51.106	Removable hanging seat	170
801.50B550	Hinged support rail, rotatable, E, flush rel. button	132	801.51.107	Removable hanging seat, hinged	170
801.50B551	Hinged support rail, rotatable, E, flush rel. button	132	801.51.110	Removable hanging seat	167
801.50B560	Hinged support rail, rotatable, E, flush rel. button	132	801.51.115	Removable hanging seat, hinged	168
801.50B561	Hinged support rail, rotatable, E, flush rel. button	132	801.51.116	Removable hanging seat	171



Item Number	Name	Page	Item Number	Name	Page
801.51.117	Removable hanging seat, hinged	171	801.51.9271R	Backrest rail	141
801.51.200	Hinged seat	164	801.51.9272L	Backrest rail	141
801.51.2000	Hinged seat	65	801.51.9272R	Backrest rail	141
801.51.2001	Hinged seat	65	801.51.9273L	Backrest rail	141
801.51.2002	Hinged seat	65	801.51.9273R	Backrest rail	141
801.51.202S	Hinged seat	165	801.51B100	Removable hanging seat	166
801.51.203S	Hinged seat	165	801.51B110	Removable hanging seat	167
801.51.207	Hinged seat	169	801.51B115	Removable hanging seat, hinged	168
801.51.207S	Hinged seat with floor support	169	801.51B200	Hinged seat	164
801.51.210	Hinged seat	164	801.51B2000	Hinged seat	65
801.51.2100	Hinged seat	66	801.51B2001	Hinged seat	65
801.51.216S	Hinged seat	165	801.51B2002	Hinged seat	65
801.51.217	Hinged seat	169	801.51B202S	Hinged seat	165
801.51.300	Stool	168	801.51B203S	Hinged seat	165
801.51.306	Stool	171	801.51B210	Hinged seat	164
801.51.8400	Shower bench with load bearing cap. up to 350 kg	712	801.51B2100	Hinged seat	66
801.51.8410	Shower bench with load bearing cap. up to 350 kg	712	801.51B300	Stool	168
801.51.900	Backrest rail	136	801.51B900	Backrest rail	136
801.51.9061	Backrest rail	138	801.51B9061	Backrest rail	138
801.51.9062	Backrest rail	138	801.51B9062	Backrest rail	138
801.51.9063	Backrest rail	138	801.51B9063	Backrest rail	138
801.51.9071	Backrest rail	138	801.51B9071	Backrest rail	138
801.51.9072	Backrest rail	138	801.51B9072	Backrest rail	138
801.51.9073	Backrest rail	138	801.51B9073	Backrest rail	138
801.51.910	Backrest rail	136	801.51B910	Backrest rail	136
801.51.9121	Backrest rail	140	801.51B9161	Backrest rail	139
801.51.9122	Backrest rail	140	801.51B9162	Backrest rail	139
801.51.9123	Backrest rail	140	801.51B9163	Backrest rail	139
801.51.9131	Backrest rail	141	801.51B9171	Backrest rail	139
801.51.9132	Backrest rail	141	801.51B9172	Backrest rail	139
801.51.9133	Backrest rail	141	801.51B9173	Backrest rail	139
801.51.9161	Backrest rail	139	801.51B920L	Backrest rail	137
801.51.9162	Backrest rail	139	801.51B920R	Backrest rail	137
801.51.9163	Backrest rail	139	801.51B9261L	Backrest rail	140
801.51.9171	Backrest rail	139	801.51B9261R	Backrest rail	140
801.51.9172	Backrest rail	139	801.51B9262L	Backrest rail	140
801.51.9173	Backrest rail	139	801.51B9262R	Backrest rail	140
801.51.920L	Backrest rail	137	801.51B9263L	Backrest rail	140
801.51.920R	Backrest rail	137	801.51B9263R	Backrest rail	140
801.51.9261L	Backrest rail	140	801.51B9271L	Backrest rail	141
801.51.9261R	Backrest rail	140	801.51B9271R	Backrest rail	141
801.51.9262L	Backrest rail	140	801.51B9272L	Backrest rail	141
801.51.9262R	Backrest rail	140	801.51B9272R	Backrest rail	141
801.51.9263L	Backrest rail	140	801.51B9273L	Backrest rail	141
801.51.9263R	Backrest rail	140	801.51B9273R	Backrest rail	141
801.51.9271L	Backrest rail	141	801.51BCH110	Removable hanging seat	167



Item Number	Name	Page	Item Number	Name	Page
802.50.01160	Upgrade kit toilet roll holder	320	802.50.43660	Hinged sup. rail Basic, flush rel./function button, right	316
802.50.01260	Upgrade kit walking aid holder	320	802.50.43760	Hinged support rail Basic, with floor support, 700 mm	316
802.50.01360	Upgrade kit Shelf	321	802.50.43860	Hinged support rail Basic, with floor support, 750 mm	316
802.50.021XA	Floor support	323	802.50.43960	Hinged support rail Basic, with floor support, 850 mm	316
802.50.022XA	Floor support	323	802.50.44060	Hinged support rail Basic, with floor support, 900 mm	316
802.50.023XA	Floor support	323	802.50.44160	Hinged support rail Premium, flushing mechanism, left	317
802.50.024XA	Floor support	323	802.50.44260	Hinged support rail Premium, flushing mechanism, left	317
802.50.026XA	Floor support	323	802.50.44360	Hinged support rail Premium, flushing mechanism, left	317
802.50.027XA	Floor support	323	802.50.44460	Hinged support rail Premium, flushing mechanism, left	317
802.50.06260	Upgrade kit WC flushing mechanism, left	320	802.50.44560	Hinged sup. rail Premium, flushing mechanism, right	317
802.50.06360	Upgrade kit WC flushing mechanism, right	320	802.50.44660	Hinged sup. rail Premium, flushing mechanism, right	317
802.50.40160	Hinged support rail Basic, 600 mm	312, 316	802.50.44760	Hinged sup. rail Premium, flushing mechanism, right	317
802.50.40260	Hinged support rail Basic, 700 mm	312, 316	802.50.44860	Hinged sup. rail Premium, flushing mechanism, right	317
802.50.40360	Hinged support rail Basic, 750 mm	312, 316	802.50.44960	Hinged sup. rail Premium, flush rel./func. button, left	317
802.50.40460	Hinged support rail Basic, 850 mm	312, 316	802.50.45060	Hinged sup. rail Premium, flush rel./func. button, left	317
802.50.40560	Hinged support rail Basic, 900 mm	312, 316	802.50.45160	Hinged sup. rail Premium, flush rel./func. button, left	317
802.50.40660	Hinged support rail Basic w. height adj., 600 mm	313, 316	802.50.45260	Hinged sup. rail Premium, flush rel./func. button, left	317
802.50.40760	Hinged support rail Basic w. height adj., 700 mm	313, 316	802.50.45360	Hinged sup. rail Premium, flush rel./func. button, right	317
802.50.40860	Hinged support rail Basic w. height adj., 750 mm	313, 316	802.50.45460	Hinged sup. rail Premium, flush rel./func. button, right	317
802.50.40960	Hinged support rail Basic w. height adj., 850 mm	313, 316	802.50.45560	Hinged sup. rail Premium, flush rel./func. button, right	317
802.50.41060	Hinged support rail Basic w. height adj., 900 mm	313, 316	802.50.45660	Hinged sup. rail Premium, flush rel./func. button, right	317
802.50.41160	Hinged support rail Premium, 600 mm	314, 317	802.50.45760	Hinged sup.t rail Premium, w. floor support, 700 mm	317
802.50.41260	Hinged support rail Premium, 700 mm	314, 317	802.50.45860	Hinged sup.t rail Premium, w. floor support, 750 mm	317
802.50.41360	Hinged support rail Premium, 750 mm	314, 317	802.50.45960	Hinged sup.t rail Premium, w. floor support, 850 mm	317
802.50.41460	Hinged support rail Premium, 850 mm	314, 317	802.50.46060	Hinged sup.t rail Premium, w. floor support, 900 mm	317
802.50.41560	Hinged support rail Premium, 900 mm	314, 317	802.51.13160	Hanging seat Comfort	330
802.50.41660	Hinged sup. rail Premium w. height adj., 600 mm	315, 317	802.51.13260	Hanging seat Premium	332
802.50.41760	Hinged sup. rail Premium w. height adj., 700 mm	315, 317	802.51.13360	Hanging seat Comfort, with height adjustment	331
802.50.41860	Hinged sup. rail Premium w. height adj., 750 mm	315, 317	802.51.13460	Hanging seat Premium, with height adjustment	333
802.50.41960	Hinged sup. rail Premium w. height adj., 850 mm	315, 317	802.51.13560	Hanging seat Comfort, with hygiene cut-out	330
802.50.42060	Hinged sup. rail Premium w. height adj., 900 mm	315, 317	802.51.13660	Hanging seat Premium, with hygiene cut-out	332
802.50.42160	Hinged support rail Basic, flushing mechanism, left	316	802.51.13760	Hanging seat Comfort, w. height adjustment, cut-out	331
802.50.42260	Hinged support rail Basic, flushing mechanism, left	316	802.51.13860	Hanging seat Premium, w. height adjustment, cut-out	333
802.50.42360	Hinged support rail Basic, flushing mechanism, left	316	802.51.13960	Hanging seat Comfort, CH/FR	334
802.50.42460	Hinged support rail Basic, flushing mechanism, left	316	802.51.14060	Hanging seat Premium, CH/FR	336
802.50.42560	Hinged support rail Basic, flushing mechanism, right	316	802.51.14160	Hanging seat Comfort, w. height adjustment, CH/FR	335
802.50.42660	Hinged support rail Basic, flushing mechanism, right	316	802.51.14260	Hanging seat Premium, w. height adjustment, CH/FR	337
802.50.42760	Hinged support rail Basic, flushing mechanism, right	316	802.51.14360	Hanging seat Comfort, w. hygiene cut-out, CH/FR	334
802.50.42860	Hinged support rail Basic, flushing mechanism, right	316	802.51.14460	Hanging seat Premium, w. hygiene cut-out, CH/FR	336
802.50.42960	Hinged sup. rail Basic, flush rel./function button, left	316	802.51.14560	Hanging seat Comfort, w. height adjustment, CH/FR	335
802.50.43060	Hinged sup. rail Basic, flush rel./function button, left	316	802.51.14660	Hanging seat Premium, w. height adjustment, cut-out	337
802.50.43160	Hinged sup. rail Basic, flush rel./function button, left	316	802.51.23160	Hinged seat Basic	325
802.50.43260	Hinged sup. rail Basic, flush rel./function button, left	316	802.51.23260	Hinged seat Comfort	326
802.50.43360	Hinged sup. rail Basic, flush rel./function button, right	316	802.51.23360	Hinged seat Premium	328
802.50.43460	Hinged sup. rail Basic, flush rel./function button, right	316	802.51.23460	Hinged seat Comfort, with height adjustment	327
802.50.43560	Hinged sup. rail Basic, flush rel./function button, right	316	802.51.23560	Hinged seat Premium, with height adjustment	329

## General information | Numerical index

Item Number	Name	Page	Item Number	Name	Page
802.51.23660	Hinged seat Basic, with hygiene cut-out	325	805.21.200	Spare roll holder	414
802.51.23760	Hinged seat Comfort, with hygiene cut-out	326	805.21.500	Toilet roll holder	398
802.51.23860	Hinged seat Premium, with hygiene cut-out	328	805.21.550	Toilet roll holder double	398
802.51.23960	Hinged seat Comfort, with height adjustment, cut-out	327	805.21.600	Large toilet roll holder	398, 674
802.51.24060	Hinged seat Premium, with height adjustment, cut-out	329	805.22.100L	L-shaped support rail, left handed version	430
802.51.32040	Shower stool Basic	338	805.22.100R	L-shaped support rail, right handed version	430
802.51.32140	Shower stool Comfort	338	805.22.110L	L-shaped support rail, left handed version	430
802.51.32240	Shower stool Premium	339	805.22.110R	L-shaped support rail, right handed version	430
802.51.90060	Backrest	321	805.22.130L	L-shaped support rail, left handed version	430
802.51.90160	Backrest	322	805.22.130R	L-shaped support rail, right handed version	430
802.51.90260	Backrest	322	805.22.140L	L-shaped support rail, left handed version	430
802.51.90360	Backrest	322	805.22.140R	L-shaped support rail, right handed version	430
802.52.01001	active+ Shower spray guard curtain	324	805.22.1S	L-shaped support rail, special length	430
802.52.01030	active+ Shower spray guard curtain	324	805.22.200L	L-shaped support rail, left handed version	431
802.52.01038	active+ Shower spray guard curtain	324	805.22.200R	L-shaped support rail, right handed version	431
802.52.01039	Shower spray guard curtain	324	805.33.100	Rail with shower head holder	432
802.52.01040	Shower spray guard curtain	324	805.33.110	Rail with shower head holder	432
802.52.01041	Shower spray guard curtain	324	805.33.120	Rail with shower head holder	432
802.52.20001	Shower spray guard	324	805.33.1S	Rail with shower head holder, up to 925 mm	432
802.52.20030	Shower spray guard	324	805.33.210L	L-shaped support rail with shower head holder, left	432
802.52.20038	Shower spray guard	324	805.33.210R	L-shaped support rail with shower head holder, right	432
802.52.20039	Shower spray guard	324	805.33.220L	L-shaped support rail with shower head holder, left	432
802.52.20040	Shower spray guard	324	805.33.220R	L-shaped support rail with shower head holder, right	432
802.52.20041	Shower spray guard	324	805.33.2S	L-shaped support rail with shower head holder	432
<b>Range 805   805 Classic</b>			805.35.110	Support grab rail	431
805.05.100	Waste paper bin	396, 671	805.35.1S	Support grab rail, special length	431
805.05.110	Waste paper bin with lid	396, 671	805.35.210L	Rail with vertical support bar and shower head holder	433
805.05.200	Hygiene waste bin	400, 673	805.35.210R	Rail with vertical support bar and shower head holder	433
805.05.210	Hygiene combination	400, 673	805.35.21S	Rail with vertical support bar and shower head holder	433
805.05.400	Waste paper bin, 60 l	395, 672	805.35.220L	Rail with vertical support bar and shower head holder	433
805.06.100	Soap dispenser	394, 668	805.35.220R	Rail with vertical support bar and shower head holder	433
805.06.115	SENSORIC Electronic soap dispenser	394, 669	805.35.230L	Rail with vertical support bar and shower head holder	433
805.06.135	SENSORIC Electronic disinfectant dispenser	394, 669	805.35.230R	Rail with vertical support bar and shower head holder	433
805.06.150	Foam soap dispenser	395, 668	805.35.240L	Rail with vertical support bar and shower head holder	433
805.06.155	SENSORIC Electronic foam soap dispenser	394, 669	805.35.240R	Rail with vertical support bar and shower head holder	433
805.06.350	Disinfectant and soap dispenser	393, 667	805.35.300	Shower grab rail with adjustable vertical support bar	434
805.06.500	Paper towel dispenser	396, 671	805.35.310	Shower grab rail with adjustable vertical support bar	434
805.06.555	SENSORIC Electronic paper roll dispenser	397, 670	805.35.320	Shower grab rail with adjustable vertical support bar	434
805.06.556	SENSORIC Electronic paper roll dispenser	397, 670	805.35.330	Shower grab rail with adjustable vertical support bar	434
805.06.700	Hygiene bag dispenser	400, 674	805.35.340	Shower grab rail with adjustable vertical support bar	434
805.20.010	Toilet brush	415	805.35.350	Shower grab rail with adjustable vertical support bar	434
805.20.020	Toilet brush	399	805.35.3S	Shower grab rail with shower head holder	434
805.20.100	Toilet brush unit	415	805.36.100	Support rail	430
805.20.200	Toilet brush unit	399	805.36.110	Support rail	430
805.21.100	Toilet roll holder	414	805.36.120	Support rail	430
			805.36.130	Support rail	430

Item Number	Name	Page	Item Number	Name	Page
805.36.140	Support rail	430	805.90.011	Single hook	413
805.36.150	Support rail	430	805.90.025	Double hook	413
805.36.1S	Support rail, special length	430	805.90.030	Single hook	413
805.50.015	Upgrade kit toilet roll holder	423	805.90.100	Single hook	393
805.50.060	Upgrade kit WC-toilet flushing solution (radio)	423	805.90.110	Single hook	393
805.50.100	Hinged support rail, rotatable	419	805.90.120	Double hook	393
805.50.101	Mobile hinged support rail, rotatable	419			
805.50.110	Hinged support rail, rotatable	419	<b>System 815</b>		
805.50.111	Mobile hinged support rail, rotatable	419	815.00.001	Adhesive set	457
805.50.120	Hinged support rail, rotatable	419	815.00.002	Adhesive set	457
805.50.121	Mobile hinged support rail, rotatable	419	815.00.003	Adhesive set	457
805.50.130	Hinged support rail, rotatable	419	815.03.12045	Shelf, chrome-plated	456
805.50.131	Mobile hinged support rail, rotatable	419	815.03.12065	Shelf, matt black powder-coated	456
805.50.200	Hinged support rail	418	815.03.10045	Shelf, chrome-plated	456
805.50.201	Mobile hinged support rail	418	815.03.10065	Shelf, matt black powder-coated	456
805.50.210	Hinged support rail	418	815.04.11045	Glass tumbler with holder, chrome-plated	455
805.50.211	Mobile hinged support rail	418	815.04.11065	Glass tumbler with holder, matt black powder-coated	455
805.50.220	Hinged support rail	418	815.04.11145	Glass tumbler with holder	455
805.50.221	Mobile hinged support rail	418	815.04.11165	Glass tumbler with holder	455
805.50.230	Hinged support rail	418	815.06.11045	Soap dispenser with holder, chrome-plated	455
805.50.231	Mobile hinged support rail	418	815.06.11065	Soap dispenser w. holder, matt black powder-coated	455
805.50.550	Hinged support rail, model E	421	815.06.11145	Soap- or disinfectant dispenser with holder	455
805.50.551	Mobile hinged support rail	421	815.06.11165	Soap- or disinfectant dispenser with holder	455
805.50.560	Hinged support rail, model E	421	815.06.11365	Soap- or disinfectant dispenser with holder	455
805.50.561	Mobile hinged support rail	421	815.09.11040	Towel rail, chrome-plated	457
805.50.570	Hinged support rail, model E	421	815.09.11060	Towel rail, matt black powder-coated	457
805.50.571	Mobile hinged support rail	421	815.09.11140	Towel rail, chrome-plated	457
805.50.750	Hinged support rail, model E	420	815.09.11160	Towel rail, matt black powder-coated	457
805.50.751	Mobile hinged support rail	420	815.09.30040	Towel ring, chrome-plated	457
805.50.760	Hinged support rail, model E	420	815.09.30060	Towel ring, matt black powder-coated	457
805.50.761	Mobile hinged support rail	420	815.09.30140	Towel ring, chrome-plated	457
805.50.770	Hinged support rail, model E	420	815.09.30160	Towel ring, matt black powder-coated	457
805.50.771	Mobile hinged support rail	420	815.20.10045	Toilet brush unit, chrome-plated	459
805.51.900	Backrest rail	424	815.20.10065	Toilet brush unit, matt black powder-coated	459
805.51.906	Backrest rail	426	815.20.10145	Toilet brush unit, chrome-plated	459
805.51.907	Backrest rail	427	815.20.10165	Toilet brush unit, matt black powder-coated	459
805.51.910	Backrest rail	425	815.21.10040	Toilet roll holder, chrome-plated	458
805.51.916	Backrest rail	426	815.21.10060	Toilet roll holder, matt black powder-coated	458
805.51.917	Backrest rail	427	815.21.10140	Toilet roll holder, chrome-plated	458
805.51.920L	Backrest rail	425	815.21.10160	Toilet roll holder, matt black powder-coated	458
805.51.920R	Backrest rail	425	815.21.20040	Toilet roll holder with lid, chrome-plated	458
805.51.926L	Backrest rail	428	815.21.20060	Toilet roll holder with lid, matt black powder-coated	458
805.51.926R	Backrest rail	428	815.21.20140	Toilet roll holder with lid, chrome-plated	458
805.51.927L	Backrest rail	429	815.21.20160	Toilet roll holder with lid, matt black powder-coated	458
805.51.927R	Backrest rail	429	815.21.30040	Spare roll holder, chrome-plated	458
805.52.20030	Shower spray guard	435	815.21.30060	Spare roll holder, matt black powder-coated	458

## General information | Numerical index

Item Number	Name	Page	Item Number	Name	Page
815.21.30140	Spare roll holder, chrome-plated	458	900.05.00560	Hygiene waste bin	217, 687
815.21.30160	Spare roll holder, matt black powder-coated	458	900.05.005XA	Hygiene waste bin	217, 687
815.21.31040	Spare roll holder, double, chrome-plated	459	900.05.00660	Hygiene combination	217, 687
815.21.31060	Spare roll holder, double, matt black powder-coated	459	900.05.006XA	Hygiene combination	217, 687
815.21.31140	Spare roll holder, double, chrome-plated	459	900.06.00040	Soap dispenser with holder	199
815.21.31160	Spare roll holder, double, matt black powder-coated	459	900.06.00060	Soap dispenser with holder	199, 442
815.30.11040	Bath towel rail, chrome-plated	461	900.06.000XA	Soap dispenser with holder	199
815.30.11060	Bath towel rail, matt black powder-coated	461	900.06.00140	Soap dispenser with holder	199
815.30.11140	Bath towel rail, chrome-plated	461	900.06.00160	Soap dispenser with holder	199, 442
815.30.11160	Bath towel rail, matt black powder-coated	461	900.06.001XA	Soap dispenser with holder	199
815.33.10040	Rail with shower head holder, chrome-plated	460	900.06.00260	Disinfectant or soap dispenser	200, 676
815.90.01040	Hook, chrome-plated	456	900.06.00261	Disinfectant or soap dispenser	200, 676
815.90.01060	Hook, matt black powder-coated	456	900.06.002XA	Disinfectant or soap dispenser	200, 676
815.90.01140	Hook, chrome-plated	456	900.06.00360	Disinfectant or soap dispenser	201, 677
815.90.01160	Hook, matt black powder-coated	456	900.06.00361	Disinfectant or soap dispenser	201, 677
815.90.02040	Double hook, chrome-plated	456	900.06.003XA	Disinfectant or soap dispenser	201, 677
815.90.02060	Double hook, matt black powder-coated	456	900.06.00460	Soap dispenser	202, 678
815.90.02140	Double hook, chrome-plated	456	900.06.004XA	Soap dispenser	202, 678
815.90.02160	Double hook, matt black powder-coated	456	900.06.00560	SENSORIC Electronic soap dispenser	202, 678
<b>System 900</b>			900.06.005XA	SENSORIC Electronic soap dispenser	202, 678
900.00.00040	Hairdryer holder	212	900.06.00760	SENSORIC Electronic foamed soap dispenser	202, 678
900.00.00060	Hairdryer holder	212	900.06.007XA	SENSORIC Electronic foamed soap dispenser	202, 678
900.00.000XA	Hairdryer holder	212	900.06.00860	SENSORIC Disinfectant dispenser	202, 678
900.03.00040	Shelf with Support rail	210	900.06.008XA	SENSORIC Disinfectant dispenser	202, 678
900.03.00060	Shelf with Support rail	210	900.06.00960	Paper towel dispenser	207, 684
900.03.000XA	Shelf with Support rail	210	900.06.009XA	Paper towel dispenser	207, 684
900.03.00140	Shower basket	220, 461, 701	900.06.01060	Electronic paper roll dispenser	207, 684
900.03.00160	Shower basket	220, 461, 701	900.06.010XA	Electronic paper roll dispenser	207, 684
900.03.001XA	Shower basket	220, 701	900.06.01160	Hygiene bag dispenser	216, 688
900.03.00240	Shower basket	220, 461, 701	900.06.011XA	Hygiene bag dispenser	216, 688
900.03.00260	Shower basket	220, 461, 701	900.06.01260	Disinfectant dispenser column	204, 680
900.03.002XA	Shower basket	220, 701	900.06.012XA	Disinfectant dispenser column	204, 680
900.04.00040	Glass tumbler with holder	198	900.06.01360	Disinfectant dispenser column	205, 681
900.04.00060	Glass tumbler with holder	198, 441	900.06.013XA	Disinfectant dispenser column	205, 681
900.04.000XA	Glass tumbler with holder	198	900.06.01460	Disinfectant dispenser column	206, 682
900.05.00060	Waste bin	217, 687	900.06.014XA	Disinfectant dispenser column	206, 682
900.05.000XA	Waste bin	217, 687	900.06.01560	SENSORIC Disinfectant dispenser, free stading	203, 679
900.05.00160	Wastepaper bin	208, 685	900.06.01660	SENSORIC Disinfectant dispenser, wall	203, 679
900.05.001XA	Wastepaper bin	208, 685	900.06.E0160	Drip tray	205, 681
900.05.00260	Wastepaper bin	208, 685	900.06.E0560	Drip tray	201, 677
900.05.002XA	Wastepaper bin	208, 685	900.06.E0660	Drip tray	200, 676
900.05.00360	Wastepaper bin	209, 686	900.09.00140	Towel rail	211
900.05.003XA	Wastepaper bin	209, 686	900.09.00160	Towel rail	211
900.05.00460	Wastepaper bin	209, 686	900.09.001XA	Towel rail	211
900.05.004XA	Wastepaper bin	209, 686	900.09.00240	Towel ring	211
			900.09.00260	Towel ring	211

Item Number	Name	Page	Item Number	Name	Page
900.09.002XA	Towel ring	211	900.22.106XA	L-shaped support rail	254
900.20.00040	Toilet brush unit	218	900.22.10740	L-shaped support rail	254
900.20.00060	Toilet brush unit	218	900.22.10760	L-shaped support rail	254
900.20.000XA	Toilet brush unit	218	900.22.107XA	L-shaped support rail	254
900.20.00140	Toilet brush unit with lid	219	900.22.10840	L-shaped support rail	254
900.20.00160	Toilet brush unit with lid	219	900.22.10860	L-shaped support rail	254
900.20.001XA	Toilet brush unit with lid	219	900.22.108XA	L-shaped support rail	254
900.20.01060	Toilet brush	218	900.22.10940	L-shaped support rail	255
900.20.02040	Toilet brush with lid	219	900.22.10960	L-shaped support rail	255
900.20.02060	Toilet brush with lid	219	900.22.109XA	L-shaped support rail	255
900.20.020XA	Toilet brush with lid	219	900.22.11040	L-shaped support rail	255
900.21.00040	Toilet roll holder	213	900.22.11060	L-shaped support rail	255
900.21.00060	Toilet roll holder	213	900.22.110XA	L-shaped support rail	255
900.21.000XA	Toilet roll holder	213	900.22.11140	L-shaped support rail	255
900.21.00160	Large toilet roll holder	216, 688	900.22.11160	L-shaped support rail	255
900.21.001XA	Large toilet roll holder	216, 688	900.22.111XA	L-shaped support rail	255
900.21.00440	Toilet roll holder with shelf	214	900.22.11240	L-shaped support rail	255
900.21.00460	Toilet roll holder with shelf	214	900.22.11260	L-shaped support rail	255
900.21.004XA	Toilet roll holder with shelf	214	900.22.112XA	L-shaped support rail	255
900.21.00540	Toilet roll holder with lid	214	900.22.11340	L-shaped support rail	255
900.21.00560	Toilet roll holder with lid	214	900.22.11360	L-shaped support rail	255
900.21.005XA	Toilet roll holder with lid	214	900.22.113XA	L-shaped support rail	255
900.21.00640	Spare roll holder	215	900.22.11440	L-shaped support rail	255
900.21.00660	Spare roll holder	215	900.22.11460	L-shaped support rail	255
900.21.006XA	Spare roll holder	215	900.22.114XA	L-shaped support rail	255
900.21.E01	Carousel	104, 216	900.22.11540	L-shaped support rail	255
900.22.10040	L-shaped support rail	254	900.22.11560	L-shaped support rail	255
900.22.10060	L-shaped support rail	254	900.22.115XA	L-shaped support rail	255
900.22.100XA	L-shaped support rail	254	900.22.11640	L-shaped support rail	255
900.22.10140	L-shaped support rail	254	900.22.11660	L-shaped support rail	255
900.22.10160	L-shaped support rail	254	900.22.116XA	L-shaped support rail	255
900.22.101XA	L-shaped support rail	254	900.22.13040	L-shaped support rail	256
900.22.10240	L-shaped support rail	254	900.22.13060	L-shaped support rail	256
900.22.10260	L-shaped support rail	254	900.22.13140	L-shaped support rail	256
900.22.102XA	L-shaped support rail	254	900.22.13160	L-shaped support rail	256
900.22.10340	L-shaped support rail	254	900.22.13240	L-shaped support rail	256
900.22.10360	L-shaped support rail	254	900.22.13260	L-shaped support rail	256
900.22.103XA	L-shaped support rail	254	900.22.13340	L-shaped support rail	256
900.22.10440	L-shaped support rail	254	900.22.13360	L-shaped support rail	256
900.22.10460	L-shaped support rail	254	900.22.13440	L-shaped support rail	256
900.22.104XA	L-shaped support rail	254	900.22.13460	L-shaped support rail	256
900.22.10540	L-shaped support rail	254	900.22.13540	L-shaped support rail	256
900.22.10560	L-shaped support rail	254	900.22.13560	L-shaped support rail	256
900.22.105XA	L-shaped support rail	254	900.22.13640	L-shaped support rail	256
900.22.10640	L-shaped support rail	254	900.22.13660	L-shaped support rail	256
900.22.10660	L-shaped support rail	254	900.22.13740	L-shaped support rail	256

## General information | Numerical index

Item Number	Name	Page	Item Number	Name	Page
900.22.13760	L-shaped support rail	256	900.22.33440	L-shaped support rail	252
900.22.13840	L-shaped support rail	256	900.22.33460	L-shaped support rail	252
900.22.13860	L-shaped support rail	256	900.33.00040	Rail with shower head holder	260
900.22.13940	L-shaped support rail	257	900.33.00060	Rail with shower head holder	260
900.22.13960	L-shaped support rail	257	900.33.000XA	Rail with shower head holder	260
900.22.14040	L-shaped support rail	257	900.33.00140	Rail with shower head holder	260
900.22.14060	L-shaped support rail	257	900.33.00160	Rail with shower head holder	260
900.22.14140	L-shaped support rail	257	900.33.001XA	Rail with shower head holder	260
900.22.14160	L-shaped support rail	257	900.33.00240	Rail with shower head holder	260
900.22.14240	L-shaped support rail	257	900.33.00260	Rail with shower head holder	260
900.22.14260	L-shaped support rail	257	900.33.002XA	Rail with shower head holder	260
900.22.14340	L-shaped support rail	257	900.33.03040	Rail with shower head holder	260
900.22.14360	L-shaped support rail	257	900.33.03060	Rail with shower head holder	260
900.22.14440	L-shaped support rail	257	900.33.03140	Rail with shower head holder	260
900.22.14460	L-shaped support rail	257	900.33.03160	Rail with shower head holder	260, 460
900.22.14540	L-shaped support rail	257	900.33.03240	Rail with shower head holder	260
900.22.14560	L-shaped support rail	257	900.33.03260	Rail with shower head holder	260, 460
900.22.14640	L-shaped support rail	257	900.33.0S0XA	Rail with shower head holder, special length	260
900.22.14660	L-shaped support rail	257	900.33.20040	L-shaped support rail with shower head holder	262
900.22.1S0XA	L-shaped support rail, special length	254	900.33.20060	L-shaped support rail with shower head holder	262
900.22.1S2XA	L-shaped support rail, special length	254	900.33.200XA	L-shaped support rail with shower head holder	262
900.22.1S3XA	L-shaped support rail, special length	255	900.33.20140	L-shaped support rail with shower head holder	262
900.22.1S4XA	L-shaped support rail, special length	255	900.33.20160	L-shaped support rail with shower head holder	262
900.22.30040	L-shaped support rail	252	900.33.201XA	L-shaped support rail with shower head holder	262
900.22.30060	L-shaped support rail	252	900.33.20240	L-shaped support rail with shower head holder	262
900.22.300XA	L-shaped support rail	252	900.33.20260	L-shaped support rail with shower head holder	262
900.22.30140	L-shaped support rail	252	900.33.202XA	L-shaped support rail with shower head holder	262
900.22.30160	L-shaped support rail	252	900.33.20340	L-shaped support rail with shower head holder	262
900.22.301XA	L-shaped support rail	252	900.33.20360	L-shaped support rail with shower head holder	262
900.22.30240	L-shaped support rail	253	900.33.203XA	L-shaped support rail with shower head holder	262
900.22.30260	L-shaped support rail	253	900.33.2S0XA	L-shaped support rail with shower head holder	262
900.22.302XA	L-shaped support rail	253	900.33.2S1XA	L-shaped support rail with shower head holder	262
900.22.30340	L-shaped support rail	253	900.33M00040	Rail w. magn. shower holder	261
900.22.30360	L-shaped support rail	253	900.33M00060	Rail w. magn. shower holder	261
900.22.303XA	L-shaped support rail	253	900.33M000XA	Rail w. magn. shower holder	261
900.22.30440	L-shaped support rail	252	900.33M00140	Rail w. magn. shower holder	261
900.22.30460	L-shaped support rail	252	900.33M00160	Rail w. magn. shower holder	261
900.22.304XA	L-shaped support rail	252	900.33M001XA	Rail w. magn. shower holder	261
900.22.33040	L-shaped support rail	252	900.33M00240	Rail w. magn. shower holder	261
900.22.33060	L-shaped support rail	252	900.33M00260	Rail w. magn. shower holder	261
900.22.33140	L-shaped support rail	252	900.33M002XA	Rail w. magn. shower holder	261
900.22.33160	L-shaped support rail	252	900.33M0S0XA	Rail w. magn. shower holder	261
900.22.33240	L-shaped support rail	253	900.33M20040	L-shaped support rail w. magn. shower head holder	263
900.22.33260	L-shaped support rail	253	900.33M20060	L-shaped support rail w. magn. shower head holder	263
900.22.33340	L-shaped support rail	253	900.33M200XA	L-shaped support rail w. magn. shower head holder	263
900.22.33360	L-shaped support rail	253	900.33M20140	L-shaped support rail w. magn. shower head holder	263



Item Number	Name	Page	Item Number	Name	Page
900.33M20160	L-shaped support rail w. magn. shower head holder	263	900.34.10SXA	Shower curtain rail, special length	222
900.33M201XA	L-shaped support rail w. magn. shower head holder	263	900.34.30040	Shower curtain rail	223
900.33M20240	L-shaped support rail w. magn. shower head holder	263	900.34.30060	Shower curtain rail	223
900.33M20260	L-shaped support rail w. magn. shower head holder	263	900.34.300XA	Shower curtain rail	223
900.33M202XA	L-shaped support rail w. magn. shower head holder	263	900.34.30140	Shower curtain rail	223
900.33M20340	L-shaped support rail w. magn. shower head holder	263	900.34.30160	Shower curtain rail	223
900.33M20360	L-shaped support rail w. magn. shower head holder	263	900.34.301XA	Shower curtain rail	223
900.33M203XA	L-shaped support rail w. magn. shower head holder	263	900.34.30240	Shower curtain rail	223
900.33M2S0XA	L-shaped support rail w. magn. shower head holder	263	900.34.30260	Shower curtain rail	223
900.33M2S1XA	L-shaped support rail w. magn. shower head holder	263	900.34.302XA	Shower curtain rail	223
900.34.00040	Ceiling support	225	900.34.30SXA	Shower curtain rail, special length	223
900.34.00060	Ceiling support	225	900.34.40040	Shower curtain rail	224
900.34.000XA	Ceiling support	225	900.34.40060	Shower curtain rail	224
900.34.00140	Ceiling support	225	900.34.400XA	Shower curtain rail	224
900.34.00160	Ceiling support	225	900.34.40340	Shower curtain rail	224
900.34.001XA	Ceiling support	225	900.34.40360	Shower curtain rail	224
900.34.00240	Ceiling support	225	900.34.40S40	Shower curtain rail	224
900.34.00260	Ceiling support	225	900.34.40S60	Shower curtain rail	224
900.34.002XA	Ceiling support	225	900.34.40SXA	Shower curtain rail, special length	224
900.34.00340	Ceiling support	225	900.35.10040	Support grab rail	258
900.34.00360	Ceiling support	225	900.35.10060	Support grab rail	258
900.34.003XA	Ceiling support	225	900.35.100XA	Support grab rail	258
900.34.00S40	Ceiling support, special length	225	900.35.10140	Support grab rail	258
900.34.00S60	Ceiling support, special length	225	900.35.10160	Support grab rail	258
900.34.00SXA	Ceiling support, special length	225	900.35.101XA	Support grab rail	258
900.34.01S40	Ceiling support, special length	225	900.35.10240	Support grab rail	258
900.34.01S60	Ceiling support, special length	225	900.35.10260	Support grab rail	258
900.34.01SXA	Ceiling support, special length	225	900.35.102XA	Support grab rail	258
900.34.02SXA	Ceiling support, special length	225	900.35.10340	Support grab rail	258
900.34.10040	Shower curtain rail	222	900.35.10360	Support grab rail	258
900.34.10060	Shower curtain rail	222	900.35.103XA	Support grab rail	258
900.34.100XA	Shower curtain rail	222	900.35.10440	Support grab rail	258
900.34.10140	Shower curtain rail	222	900.35.10460	Support grab rail	258
900.34.10160	Shower curtain rail	222	900.35.104XA	Support grab rail	258
900.34.101XA	Shower curtain rail	222	900.35.10540	Support grab rail	258
900.34.10240	Shower curtain rail	222	900.35.10560	Support grab rail	258
900.34.10260	Shower curtain rail	222	900.35.105XA	Support grab rail	258
900.34.102XA	Shower curtain rail	222	900.35.13040	Support grab rail	259
900.34.10340	Shower curtain rail	222	900.35.13060	Support grab rail	259
900.34.10360	Shower curtain rail	222	900.35.13140	Support grab rail	259
900.34.103XA	Shower curtain rail	222	900.35.13160	Support grab rail	259
900.34.10440	Shower curtain rail	222	900.35.13240	Support grab rail	259
900.34.10460	Shower curtain rail	222	900.35.13260	Support grab rail	259
900.34.104XA	Shower curtain rail	222	900.35.13340	Support grab rail	259
900.34.10S40	Shower curtain rail, special length	222	900.35.13360	Support grab rail	259
900.34.10S60	Shower curtain rail, special length	222	900.35.13440	Support grab rail	259



Item Number	Name	Page	Item Number	Name	Page
900.35M30660	Shower grab rail w. magn. shower head holder	267	900.36.007XA	Support rail	250
900.35M306XA	Shower grab rail w. magn. shower head holder	266	900.36.00840	Support rail	250
900.35M30740	Shower grab rail w. magn. shower head holder	266	900.36.00860	Support rail	250
900.35M30760	Shower grab rail w. magn. shower head holder	267	900.36.008XA	Support rail	250
900.35M307XA	Shower grab rail w. magn. shower head holder	266	900.36.00940	Support rail	250
900.35M30840	Shower grab rail w. magn. shower head holder	266	900.36.00960	Support rail	250
900.35M30860	Shower grab rail w. magn. shower head holder	267	900.36.009XA	Support rail	250
900.35M308XA	Shower grab rail w. magn. shower head holder	266	900.36.01040	Support rail	250
900.35M30940	Shower grab rail w. magn. shower head holder	266	900.36.01060	Support rail	250
900.35M30960	Shower grab rail w. magn. shower head holder	267	900.36.010XA	Support rail	250
900.35M309XA	Shower grab rail w. magn. shower head holder	266	900.36.01140	Support rail	250
900.35M3S0XA	Shower grab rail w. magn. shower head holder	266	900.36.01160	Support rail	250
900.35M3S2XA	Shower grab rail w. magn. shower head holder	266	900.36.011XA	Support rail	250
900.35M40040	Shower grab rail w. magn. shower head holder	271	900.36.01240	Support rail	250
900.35M40060	Shower grab rail w. magn. shower head holder	271	900.36.01260	Support rail	250
900.35M400XA	Shower grab rail w. magn. shower head holder	271	900.36.012XA	Support rail	250
900.35M40140	Shower grab rail w. magn. shower head holder	271	900.36.01340	Support rail	250
900.35M40160	Shower grab rail w. magn. shower head holder	271	900.36.01360	Support rail	250
900.35M401XA	Shower grab rail w. magn. shower head holder	271	900.36.013XA	Support rail	250
900.35M40240	Shower grab rail w. magn. shower head holder	271	900.36.01440	Support rail	250
900.35M40260	Shower grab rail w. magn. shower head holder	271	900.36.01460	Support rail	250
900.35M402XA	Shower grab rail w. magn. shower head holder	271	900.36.014XA	Support rail	250
900.35M4S0XA	Shower grab rail w. magn. shower head holder	271	900.36.01540	Support rail	250
900.36.00040	Support rail	250	900.36.01560	Support rail	250
900.36.00060	Support rail	250	900.36.015XA	Support rail	250
900.36.000XA	Support rail	250	900.36.01640	Cover for mounting plate	247
900.36.00140	Support rail	250	900.36.01660	Cover for mounting plate	247
900.36.00160	Support rail	250	900.36.016XA	Cover for mounting plate	247
900.36.001XA	Support rail	250	900.36.01740	Mounting plate with cover	247
900.36.00240	Support rail	250	900.36.01760	Mounting plate with cover	247
900.36.00260	Support rail	250	900.36.017XA	Mounting plate with cover	247
900.36.002XA	Support rail	250	900.36.018XA	Mounting plate	247
900.36.00340	Support rail	250	900.36.03040	Support rail	251
900.36.00360	Support rail	250	900.36.03060	Support rail	251
900.36.003XA	Support rail	250	900.36.03140	Support rail	251
900.36.00440	Support rail	250	900.36.03160	Support rail	251
900.36.00460	Support rail	250	900.36.03240	Support rail	251
900.36.004XA	Support rail	250	900.36.03260	Support rail	251
900.36.00540	Support rail	250	900.36.03340	Support rail	251
900.36.00560	Support rail	250	900.36.03360	Support rail	251
900.36.005XA	Support rail	250	900.36.03440	Support rail	251
900.36.00640	Support rail	250	900.36.03460	Support rail	251
900.36.00660	Support rail	250	900.36.03540	Support rail	251
900.36.006XA	Support rail	250	900.36.03560	Support rail	251
900.36.00740	Support rail	250	900.36.03640	Support rail	251
900.36.00760	Support rail	250	900.36.03660	Support rail	251

## General information | Numerical index

Item Number	Name	Page	Item Number	Name	Page
900.36.03740	Support rail	251	900.50.108XA	Hinged support rail Duo, Design A	230, 233
900.36.03760	Support rail	251	900.50.10940	Hinged support rail Duo, Design A	230, 233
900.36.0S0XA	Support rail, special length	250	900.50.10960	Hinged support rail Duo, Design A	230, 233
900.36.0S3XA	Support rail, special length	250	900.50.109XA	Hinged support rail Duo, Design A	230, 233
900.50.00140	Mounting plate	239	900.50.11040	Hinged support rail Duo, Design A	230, 233
900.50.00160	Mounting plate	239	900.50.11060	Hinged support rail Duo, Design A	230, 233
900.50.001XA	Mounting plate	239	900.50.110XA	Hinged support rail Duo, Design A	230, 233
900.50.00240	Cover for mounting plate	238	900.50.11140	Hinged support rail Duo, Design A	230, 233
900.50.00260	Cover for mounting plate	238	900.50.11160	Hinged support rail Duo, Design A	230, 233
900.50.002XA	Cover for mounting plate	238	900.50.111XA	Hinged support rail Duo, Design A	230, 233
900.50.00340	Mounting plate with cover	238	900.50.11240	Hinged support rail Duo, Design A	230, 233
900.50.00360	Mounting plate with cover	238	900.50.11260	Hinged support rail Duo, Design A	230, 233
900.50.003XA	Mounting plate with cover	238	900.50.112XA	Hinged support rail Duo, Design A	230, 233
900.50.02040	Floor support	239	900.50.11340	Hinged support rail Duo, Design A	230, 233
900.50.02060	Floor support	239	900.50.11360	Hinged support rail Duo, Design A	230, 233
900.50.020XA	Floor support	239	900.50.113XA	Hinged support rail Duo, Design A	230, 233
900.50.02140	Floor support	239	900.50.11440	Hinged support rail Duo, Design A	230, 233
900.50.02160	Floor support	239	900.50.11460	Hinged support rail Duo, Design A	230, 233
900.50.021XA	Floor support	239	900.50.114XA	Hinged support rail Duo, Design A	230, 233
900.50.10040	Hinged support rail Mono, Design A	230	900.50.11540	Hinged support rail Duo, Design A	230, 233
900.50.10060	Hinged support rail Mono, Design A	230	900.50.11560	Hinged support rail Duo, Design A	230, 233
900.50.100XA	Hinged support rail Mono, Design A	230	900.50.115XA	Hinged support rail Duo, Design A	230, 233
900.50.10140	Hinged support rail Duo, Design A	230, 232	900.50.11640	Hinged support rail Duo, Design A	230, 233
900.50.10160	Hinged support rail Duo, Design A	230, 232	900.50.11660	Hinged support rail Duo, Design A	230, 233
900.50.101XA	Hinged support rail Duo, Design A	230, 232	900.50.116XA	Hinged support rail Duo, Design A	230, 233
900.50.10240	Hinged support rail Duo, Design A	230, 232	900.50.11740	Hinged support rail Duo, Design A	230, 233
900.50.10260	Hinged support rail Duo, Design A	230, 232	900.50.11760	Hinged support rail Duo, Design A	230, 233
900.50.102XA	Hinged support rail Duo, Design A	230, 232	900.50.117XA	Hinged support rail Duo, Design A	230, 233
900.50.10340	Hinged support rail Duo, Design A	230, 232	900.50.11840	Hinged support rail Duo, Design A	230, 232
900.50.10360	Hinged support rail Duo, Design A	230, 232	900.50.11860	Hinged support rail Duo, Design A	230, 232
900.50.103XA	Hinged support rail Duo, Design A	230, 232	900.50.118XA	Hinged support rail Duo, Design A	230, 232
900.50.10440	Hinged support rail Duo, Design A	230, 232	900.50.11940	Hinged support rail Duo, Design A	230, 232
900.50.10460	Hinged support rail Duo, Design A	230, 232	900.50.11960	Hinged support rail Duo, Design A	230, 232
900.50.104XA	Hinged support rail Duo, Design A	230, 232	900.50.119XA	Hinged support rail Duo, Design A	230, 232
900.50.10540	Hinged support rail Duo, Design A	230, 232	900.50.12040	Hinged support rail Duo, Design A	230, 232
900.50.10560	Hinged support rail Duo, Design A	230, 232	900.50.12060	Hinged support rail Duo, Design A	230, 232
900.50.105XA	Hinged support rail Duo, Design A	230, 232	900.50.120XA	Hinged support rail Duo, Design A	230, 232
900.50.10640	Hinged support rail Duo, Design A	230, 233	900.50.12140	Hinged support rail Duo, Design A	230, 232
900.50.10660	Hinged support rail Duo, Design A	230, 233	900.50.12160	Hinged support rail Duo, Design A	230, 232
900.50.106XA	Hinged support rail Duo, Design A	230, 233	900.50.121XA	Hinged support rail Duo, Design A	230, 232
900.50.10740	Hinged support rail Duo, Design A	230, 233	900.50.12240	Hinged support rail Duo, Design A	230, 232
900.50.10760	Hinged support rail Duo, Design A	230, 233	900.50.12260	Hinged support rail Duo, Design A	230, 232
900.50.107XA	Hinged support rail Duo, Design A	230, 233	900.50.122XA	Hinged support rail Duo, Design A	230, 232
900.50.10840	Hinged support rail Duo, Design A	230, 233	900.50.12340	Hinged support rail Duo, Design A	230, 232
900.50.10860	Hinged support rail Duo, Design A	230, 233	900.50.12360	Hinged support rail Duo, Design A	230, 232
			900.50.123XA	Hinged support rail Duo, Design A	230, 232











Item Number	Name	Page	Item Number	Name	Page
900.51.002XA	Cover for mounting plate	282	900.51.21140	Rectangular shower compartment seat (USA)	300
900.51.00340	Mounting plate with cover	282	900.51.211XA	Rectangular shower compartment seat (USA)	300
900.51.00360	Mounting plate with cover	282	900.51.21240	Rectangular shower compartment seat (USA)	301
900.51.003XA	Mounting plate with cover	282	900.51.212XA	Rectangular shower compartment seat (USA)	301
900.51.10060	Removable hanging seat	286	900.51.21340	Bathtub seat (USA)	301
900.51.10160	Removable hanging seat with armrests	287	900.51.213XA	Bathtub seat (USA)	301
900.51.10260	Removable hanging seat	288	900.51.21440	Hinged seat with floor support	279
900.51.10360	Removable hanging seat with armrests	289	900.51.21460	Hinged seat with floor support	279
900.51.10460	Removable hanging seat	288	900.51.214XA	Hinged seat with floor support	279
900.51.10560	Removable hanging seat with armrests	289	900.51.40040	Mobile hinged seat	280
900.51.10660	Removable hanging seat	290	900.51.40060	Mobile hinged seat	280
900.51.10760	Removable hanging seat with armrests	291	900.51.400XA	Mobile hinged seat	280
900.51.10860	Removable hanging seat	291	900.51.40140	Mobile hinged seat	281
900.51.10960	Removable hanging seat with armrests	291	900.51.40160	Mobile hinged seat	281
900.51.11060	Removable hanging seat	292	900.51.401XA	Mobile hinged seat	281
900.51.11160	Removable hanging seat with armrests	293	900.51.40440	Mobile hinged seat	281
900.51.11260	Removable hanging seat	294	900.51.40460	Mobile hinged seat	281
900.51.11360	Removable hanging seat with armrests	295	900.51.404XA	Mobile hinged seat	281
900.51.20040	Hinged seat	276	900.51.90040	Backrest rail	242
900.51.20060	Hinged seat	276	900.51.90060	Backrest rail	242
900.51.200XA	Hinged seat	276	900.51.900XA	Backrest rail	242
900.51.20140	Hinged seat with floor support	278	900.51.90140	Backrest rail	241
900.51.20160	Hinged seat with floor support	278	900.51.90160	Backrest rail	241
900.51.201XA	Hinged seat with floor support	278	900.51.901XA	Backrest rail	241
900.51.20240	Hinged seat	277	900.51.90240	Backrest rail	244
900.51.20260	Hinged seat	277	900.51.90260	Backrest rail	244
900.51.202XA	Hinged seat	277	900.51.902XA	Backrest rail	244
900.51.20340	Hinged seat	297	900.51.90340	Backrest rail	244
900.51.20360	Hinged seat	297	900.51.90360	Backrest rail	244
900.51.203XA	Hinged seat	297	900.51.903XA	Backrest rail	244
900.51.20440	Hinged seat	277	900.51.90440	Backrest rail	245
900.51.20460	Hinged seat	277	900.51.90460	Backrest rail	245
900.51.204XA	Hinged seat	277	900.51.904XA	Backrest rail	245
900.51.20540	Hinged seat with floor support	279	900.51.90540	Backrest rail	243
900.51.20560	Hinged seat with floor support	279	900.51.90560	Backrest rail	243
900.51.205XA	Hinged seat with floor support	279	900.51.905XA	Backrest rail	243
900.51.20640	L-shaped shower compartment seat (USA)	298	900.51.90640	Backrest rail	241
900.51.206XA	L-shaped shower compartment seat (USA)	298	900.51.90660	Backrest rail	241
900.51.20740	L-shaped shower compartment seat (USA)	298	900.51.906XA	Backrest rail	241
900.51.207XA	L-shaped shower compartment seat (USA)	298	900.51.90940	Backrest rail	245
900.51.20840	L-shaped shower compartment seat (USA)	299	900.51.90960	Backrest rail	245
900.51.208XA	L-shaped shower compartment seat (USA)	299	900.51.909XA	Backrest rail	245
900.51.20940	L-shaped shower compartment seat (USA)	299	900.51.91060	Backrest rail	246
900.51.209XA	L-shaped shower compartment seat (USA)	299	900.51.911XA	Backrest rail	242
900.51.21040	Rectangular shower compartment seat (USA)	300	900.51.91140	Backrest rail	242
900.51.210XA	Rectangular shower compartment seat (USA)	300	900.51.91160	Backrest rail	242

## General information | Numerical index

Item Number	Name	Page	Item Number	Name	Page
900.51.912XA	Backrest rail	244	900Q21.00360	Spare roll holder	185
900.51.91240	Backrest rail	244	900Q21.003XA	Spare roll holder	185
900.51.91260	Backrest rail	244	900Q21.00440	Spare roll holder, double	185
900.51.913XA	Backrest rail	244	900Q21.00460	Spare roll holder, double	185
900.51.91340	Backrest rail	244	900Q21.004XA	Spare roll holder, double	185
900.51.91360	Backrest rail	244	900Q30.00040	Towel rail 250 mm	182, 187
900.51.914XA	Backrest rail	243	900Q30.00060	Towel rail 250 mm	182, 187
900.51.91440	Backrest rail	243	900Q30.000XA	Towel rail 250 mm	182, 187
900.51.91460	Backrest rail	243	900Q30.00140	Towel rail 600 mm	187
900.51B21590	Hinged seat	284	900Q30.00140	Towel rail 600 mm	187
900.51B21690	Hinged seat	285	900Q30.00160	Towel rail 600 mm	187
900.90.00140	Walking aid holder	212	900Q30.00240	Towel rail 800 mm	187
900.90.00160	Walking aid holder	212	900Q30.00260	Towel rail 800 mm	187
900.90.001XA	Walking aid holder	212	900Q30.002XA	Towel rail 800 mm	187
<b>System 900 Q</b>			900Q90.00040	Single hook	180
900Q03.00040	Shelf 200 mm	180	900Q90.00060	Single hook	180
900Q03.00060	Shelf 200 mm	180	900Q90.000XA	Single hook	180
900Q03.00240	Shelf with soap dispenser	180	900Q90.001XA	Double hook	181
900Q03.00260	Shelf with soap dispenser	180	900Q90.00240	Double hook	181
900Q03.00740	Shelf with glass plate 600 mm	182	900Q90.00260	Double hook	181
900Q03.00760	Shelf with glass plate 600 mm	182	900Q90.00340	Hook strip	181
900Q03.007XA	Shelf with glass plate 600 mm	182	900Q90.00360	Hook strip	181
900Q04.00040	Glass tumbler with holder	179	<b>Universal usability</b>		
900Q04.00060	Glass tumbler with holder	179	950.01.110	Mirror	644
900Q06.00040	Soap dispenser with holder	179	950.01.11101	LED illuminated mirror	644
900Q06.00060	Soap dispenser with holder	179	950.01.12200	Plate glass mirror	646
900Q09.00040	Towel rail	182	950.01.12201	Plate glass mirror	646
900Q09.00060	Towel rail	182	950.01.12202	Plate glass mirror	646
900Q09.000XA	Towel rail	182	950.01.12203	Plate glass mirror	647
900Q20.00040	Toilet brush unit	185	950.01.12204	Plate glass mirror	647
900Q20.00060	Toilet brush unit	185	950.01.12205	Plate glass mirror	647
900Q20.00160	Toilet brush unit	186	950.01.12206	Plate glass mirror	647
900Q20.001XA	Toilet brush unit	186	950.01.225	Cosmetic mirror	652
900Q20.00260	Toilet brush unit	186	950.01.23001	Cosmetic mirror	652, 697
900Q20.002XA	Toilet brush unit	186	950.01.23040	Cosmetic mirror	652, 697
900Q21.00040	Toilet roll holder	184	950.01.26001	Cosmetic mirror	653, 698
900Q21.00060	Toilet roll holder	184	950.01.26002	Cosmetic mirror	653, 698
900Q21.000XA	Toilet roll holder	184	950.01.26040	Cosmetic mirror	653
900Q21.00140	Toilet roll holder with lid	184	950.01.500	Mirror	555
900Q21.00160	Toilet roll holder with lid	184	950.01.501	Mirror	555
900Q21.001XA	Toilet roll holder with lid	184	950.01.510	Mirror	555
900Q21.00240	Toilet roll holder with shelf	184	950.01.511	Mirror	555
900Q21.00260	Toilet roll holder with shelf	184	950.05.100	Waste paper bin	671
900Q21.002XA	Toilet roll holder with shelf	184	950.05.110	Waste paper bin with lid	671
900Q21.00340	Spare roll holder	185	950.05.200	Hygiene waste bin	673





Item Number	Name	Page	Item Number	Name	Page
950.19.088	Product set washbasin and support rail	632	950.33.1S91	Rail with shower head holder, special length	382
950.19.089	Product set washbasin and support rail	633	950.33.1S99	Rail with shower head holder, special length	382
950.19.090	Product set washbasin and support rail	633	950.33.20051	L-shaped support rail w. shower head holder W T	350
			950.33.20054	L-shaped support rail w. shower head holder W T	350
950.21.600	Large toilet roll holder	674	950.33.21051	L-shaped support rail w. shower head holder W T	350
950.22.10050	L-shaped support rail WARM TOUCH	348	950.33.21054	L-shaped support rail w. shower head holder W T	350
950.22.10090	L-shaped support rail	380	950.33.21090	L-shaped support rail with shower head holder	383
950.22.10091	L-shaped support rail	380	950.33.21091	L-shaped support rail with shower head holder	383
950.22.10099	L-shaped support rail	380	950.33.21099	L-shaped support rail with shower head holder	383
950.22.11050	L-shaped support rail WARM TOUCH	348	950.33.22051	L-shaped support rail w. shower head holder W T	350
950.22.11090	L-shaped support rail	380	950.33.22054	L-shaped support rail w. shower head holder W T	350
950.22.11091	L-shaped support rail	380	950.33.22090	L-shaped support rail with shower head holder	383
950.22.11099	L-shaped support rail	380	950.33.22091	L-shaped support rail with shower head holder	383
950.22.13050	L-shaped support rail WARM TOUCH	348	950.33.22099	L-shaped support rail with shower head holder	383
950.22.13090	L-shaped support rail	380	950.33.2S90	L-shaped support rail with shower head holder	383
950.22.13091	L-shaped support rail	380	950.33.2S91	L-shaped support rail with shower head holder	383
950.22.13099	L-shaped support rail	380	950.33.2S99	L-shaped support rail with shower head holder	383
950.22.14050	L-shaped support rail WARM TOUCH	348	950.33.23051	L-shaped support rail w. shower head holder W T	350
950.22.14090	L-shaped support rail	380	950.33.23054	L-shaped support rail w. shower head holder W T	350
950.22.14091	L-shaped support rail	380	950.33.24051	L-shaped support rail w. shower head holder W T	350
950.22.14099	L-shaped support rail	380	950.33.24054	L-shaped support rail w. shower head holder W T	350
950.22.1S90	L-shaped support rail, special length	380	950.33.E031	Hand shower	702
950.22.1S91	L-shaped support rail, special length	380	950.33.E032	Hand shower	702
950.22.1S99	L-shaped support rail, special length	380	950.33.E033	Hand shower	702
950.22.20050	L-shaped support rail WARM TOUCH	348	950.33.E035	Hand shower	702
950.22.20090	L-shaped support rail	379	950.33.E036	Hand shower	702
950.22.20091	L-shaped support rail	379	950.33.E037	Hand shower	702
950.22.20099	L-shaped support rail	379	950.33.E054	Shower hose	703
950.30.11001	Bath towel shelf	449, 700	950.33.E055	Shower hose	703
950.30.11040	Bath towel shelf	449, 700	950.33.E056	Shower hose	703
950.33.10051	Rail with shower head holder WARM TOUCH	349	950.33.E057	Shower hose	703
950.33.10054	Rail with shower head holder WARM TOUCH	349	950.33.E058	Shower hose	703
950.33.10090	Rail with shower head holder	382	950.33.E059	Shower hose	703
950.33.10091	Rail with shower head holder	382	950.33.E060	Shower hose	703
950.33.10099	Rail with shower head holder	382	950.33.E061	Shower hose	703
950.33.11051	Rail with shower head holder WARM TOUCH	349	950.33.E062	Shower hose	703
950.33.11054	Rail with shower head holder WARM TOUCH	349	950.33.E063	Shower hose	703
950.33.11090	Rail with shower head holder	382	950.33.E064	Shower hose	703
950.33.11091	Rail with shower head holder	382	950.33.E065	Shower hose	703
950.33.11099	Rail with shower head holder	382	950.33.E070	Set handheld shower and shower hose	703
950.33.12051	Rail with shower head holder WARM TOUCH	349	950.33.E071	Set handheld shower and shower hose	704
950.33.12054	Rail with shower head holder WARM TOUCH	349	950.33.E072	Set handheld shower and shower hose	704
950.33.12090	Rail with shower head holder	382	950.33.E073	Set handheld shower and shower hose	703
950.33.12091	Rail with shower head holder	382	950.33.E074	Set handheld shower and shower hose	704
950.33.12099	Rail with shower head holder	382	950.33.E075	Set handheld shower and shower hose	704
950.33.1S90	Rail with shower head holder, special length	382	950.33.E076	Handspray	702



Item Number	Name	Page	Item Number	Name	Page
950.36.10050	Support rail WARM TOUCH	348	950.50.024XA	Floor support	423
950.36.10090	Support rail	378	950.50.025XA	Floor support	347, 377, 405, 479
950.36.10091	Support rail	378	950.50.026XA	Floor support	347, 377, 405, 479
950.36.10099	Support rail	378	950.50.027XA	Floor support	131
950.36.11050	Support rail WARM TOUCH	348	950.50.03192	Armpad	404, 477
950.36.11090	Support rail	378	950.50.07090	Upgrade kit toilet roll holder	346, 376
950.36.11091	Support rail	378	950.50.07190	Upgrade kit toilet roll holder	346, 376
950.36.11099	Support rail	378	950.50.07290	Upgrade kit toilet roll holder	404, 477
950.36.13050	Support rail WARM TOUCH	348	950.50.07390	Upgrade kit toilet roll holder	404, 477
950.36.13090	Support rail	378	950.50.10040	Mounting plate with cover	347, 478
950.36.13091	Support rail	378	950.50.10090	Mounting plate with cover	377
950.36.13099	Support rail	378	950.50.100XA	Mounting plate with cover	405
950.36.14050	Support rail WARM TOUCH	348	950.50.10190	Mounting plate with cover	130
950.36.14090	Support rail	378	950.50.10260	Height adjustable plate	319
950.36.14091	Support rail	378	950.50.101XA	Mounting plate with cover	422
950.36.14099	Support rail	378	950.50.11050	Hinged support rail Mono WARM TOUCH	344
950.36.1S90	Support rail, special length	378	950.50.11090	Hinged support rail Mono	374
950.36.1S91	Support rail, special length	378	950.50.11091	Hinged support rail Mono	374
950.36.1S99	Support rail, special length	378	950.50.11099	Hinged support rail Mono	374
950.36.33090	Support rail	379	950.50.11150	Mobile hinged support rail Mono   WARM TOUCH	345
950.36.33091	Support rail	379	950.50.11190	Mobile hinged support rail Mono	375
950.36.33099	Support rail	379	950.50.11191	Mobile hinged support rail Mono	375
950.36.61040	Support rail	479	950.50.11199	Mobile hinged support rail Mono	375
950.36.610XA	Support rail	406	950.50.12050	Hinged support rail Duo WARM TOUCH	344
950.36.63040	Support rail	479	950.50.12090	Hinged support rail Duo	374
950.36.630XA	Support rail	406	950.50.12091	Hinged support rail Duo	374
950.36.64040	Support rail	479	950.50.12099	Hinged support rail Duo	374
950.36.640XA	Support rail	406	950.50.12150	Mobile hinged support rail Duo   WARM TOUCH	345
			950.50.12190	Mobile hinged support rail Duo	375
950.50.01050	Upgrade kit toilet roll holder WARM TOUCH	346	950.50.12191	Mobile hinged support rail Duo	375
950.50.01090	Upgrade kit toilet roll holder	376	950.50.12199	Mobile hinged support rail Duo	375
950.50.01150	Upgrade kit toilet roll holder	477	950.50.13050	Hinged support rail Duo WARM TOUCH	344
950.50.01190	Upgrade kit toilet roll holder	404	950.50.13090	Hinged support rail Duo	374
950.50.013	Protection and storage bag	239, 347, 377, 405, 478	950.50.13091	Hinged support rail Duo	374
950.50.01440	Mounting plate	347, 478	950.50.13099	Hinged support rail Duo	374
950.50.014XA	Mounting plate	377, 405	950.50.13150	Mobile hinged support rail Duo   WARM TOUCH	345
950.50.01540	Cover for mounting plate	347, 478	950.50.13190	Mobile hinged support rail Duo	375
950.50.01590	Cover for mounting plate	377	950.50.13191	Mobile hinged support rail Duo	375
950.50.015XA	Cover for mounting plate	405	950.50.13199	Mobile hinged support rail Duo	375
950.50.016	Mounting plate	130, 422	950.50.14050	Hinged support rail Duo WARM TOUCH	344
950.50.01790	Cover for mounting plate	130	950.50.14090	Hinged support rail Duo	374
950.50.017XA	Cover for mounting plate	422	950.50.14091	Hinged support rail Duo	374
950.50.020XA	Floor support	347, 377, 405, 479	950.50.14099	Hinged support rail Duo	374
950.50.021XA	Floor support	131	950.50.61040	Hinged support rail Mono	476
950.50.022XA	Floor support	423	950.50.610XA	Hinged support rail Mono	402
950.50.023XA	Floor support	131	950.50.61140	Mobile hinged support rail Mono	476





Item Number	Name	Page	Item Number	Name	Page
AQ1.12M11060	Single lever washbasin mixer tap	579	BM12.2	Fixing material BM12.2	738
AQ1.12S20040	SENSORIC Electronic washbasin fitting	582	BM12.2.1	Fixing material BM12.2.1	741
AQ1.12S20060	SENSORIC Electronic washbasin fitting	582	BM12.2.2	Fixing material BM12.2.2	741
AQ1.12S20140	SENSORIC Electronic washbasin fitting	582	BM12.3	Fixing material BM12.3	738
AQ1.12S20160	SENSORIC Electronic washbasin fitting	582	BM12.4	Fixing material BM12.4	739
AQ1.12S21040	SENSORIC Electronic washbasin fitting	583	BM1211	Fixing kit	743
AQ1.12S21060	SENSORIC Electronic washbasin fitting	583	BM1211B	Fixing kit	743
AQ1.12S210XA	SENSORIC Electronic washbasin fitting	583	BM1220	Fixing material for toilet roll holder 162.21...	743
AQ1.12S21140	SENSORIC Electronic washbasin fitting	583	BM1221	Fixing material for single hook a. spare roll holder 162	743
AQ1.12S21160	SENSORIC Electronic washbasin fitting	583	BM1263.2	Fixing material for support rails with roses ø 80 mm	743
AQ1.12S211XA	SENSORIC Electronic washbasin fitting	583	BM1288	Fixing material for S 50	744
AQ1.12S22040	SENSORIC Electronic washbasin fitting	584	BM1296	Fixing material	744
AQ1.12S22140	SENSORIC Electronic washbasin fitting	584	BM1297	Fixing material	744
AQ1.32T10040	Shower thermostat	585	BM13.2	Fixing material BM13.2	738
AQ1.32T50040	SAFE TOUCH Shower thermostat	585	BM13.2.1	Fixing material BM13.2.1	741
AQ1.32T50060	SAFE TOUCH Shower thermostat	585	BM13.2.2	Fixing material BM13.2.2	741
AQ1B12M10240	Single lever washbasin mixer tap	578	BM13.3	Fixing material BM13.3	738
AQ1B12M10260	Single lever washbasin mixer tap	578	BM13.4	Fixing material BM13.4	739
AQ1B12M11040	Single lever washbasin mixer tap	579	BM1300	Fixing material	744
AQ1B12M11060	Single lever washbasin mixer tap	579	BM1302	Fixing material	744
AQ1D12M10240	active+ Single lever washbasin mixer tap	554, 578	BM1305	Fixing material for S 50	744
AQ1D12M10640	active+ Single lever washbasin mixer tap	554, 580	BM17.2	Fixing material BM17.2	738
AQ1D12M11040	Single lever washbasin mixer tap	579	BM17.3	Fixing material BM17.3	738
65087	Mini thermostat	581	BM17.4	Fixing material BM17.4	739
<b>Fixing material</b>			BM18.2	Fixing material BM18.2	738
36357	Cover kit with fi xing	740	BM18.3	Fixing material BM18.3	738
36358	Cover kit with fixing	740	BM18.4	Fixing material BM18.4	739
36359	Cover kit with fixing	740	BM20.4	Fixing material BM20.4	739
63055	Cover kit with fixing	740	BM21.4	Fixing material BM21.4	739
63086	Cover rose	743	BM210	Fixing material BM210	742
63157	Cover rose	743	BM211	Fixing material BM211	742
200266	Hilti HIT-HY 270 injection mortar	742	BM214	Fixing material BM214	742
200311	Hilti HIT-HY 200A injection mortar	742	BM22.4	Fixing material BM22.4	739
BA20.4	Fixing material 20.4	69	BM23.4	Fixing material BM23.4	739
BA20.4B	Fixing material 20.4B	69	BM27.4	Fixing material BM27.4	739
BM10.2	Fixing material BM10.2	738	BM28.4	Fixing material BM28.4	739
BM10.2.1	Fixing material BM10.2.1	741	<b>System S 50</b>		
BM10.2.2	Fixing material BM10.2.2	741	S50.01.00001	Fidlock fixing set	512
BM10.3	Fixing material BM10.3	738	S50.01.01000	Pre-wall installation Washbasin	498
BM10.4	Fixing material BM10.4	739	S50.01.202010	Washbasin module	499
BM11.2	Fixing material BM11.2	738	S50.01.212010	Washbasin module	499
BM11.2.1	Fixing material BM11.2.1	741	S50.01.302010	Washbasin module	500
BM11.2.2	Fixing material BM11.2.2	741	S50.01.312010	Washbasin module	500
BM11.3	Fixing material BM11.3	738	S50.01.502010	Washbasin module	499
BM11.4	Fixing material BM11.4	739	S50.01.512010	Washbasin module	499

## General information | Numerical index

Item Number	Name	Page	Item Number	Name	Page
S50.01.702010	Washbasin module	501			
S50.01.712010	Washbasin module	501			
S50.01.902010	Washbasin module	502			
S50.01.912010	Washbasin module	502			
S50.02.00001	Fidlock fixing set	512			
S50.02.00002	Holder for mounting plate hinged support rail	512			
S50.02.00012	Mounting plate hinged support rail	508			
S50.02.00013	Mounting plate hinged support rail	508			
S50.02.00021	Mounting plate hinged support rail	510			
S50.02.00034	Mounting plate hinged support rail	509			
S50.02.00035	Mounting plate hinged support rail	509			
S50.02.00042	Mounting plate hinged support rail	511			
S50.02.00043	Mounting plate hinged support rail	511			
S50.02.01000	Pre-wall installation WC I	504			
S50.02.01100	Pre-wall installation WC III	504			
S50.02.01200	Pre-wall installation WC V	504			
S50.02.02000	Pre-wall installation WC II	506			
S50.02.02001	Radio receiver	512			
S50.02.02100	Pre-wall installation WC IV	506			
S50.02.02200	Pre-wall installation WC VI	506			
S50.02.102010	WC module	505			
S50.02.112010	WC module	507			

Item Number    Name

Page

Item Number    Name

Page

---

### ADVICE

- Comprehensive personal advice in all planning phases across the entire spectrum of HEWI products and services
- Active tendering support
- HEWI provides you with free product samples, material samples, colour 'fans', documentation and product data for visualisations, etc. for your presentations to builders/investors
- Indicative price offers
- Solving technical issues
- Shipping of product catalogs or technical information
- Support with your showroom design
- We provide you our electronically Item Master Data

### BIM OBJECTS

- Current BIM data of the HEWI products are available in the service area of the HEWI website
- The data is available in ArchiCAD and Revit formats.

### CATALOGUES AND BROCHURES

- Our current catalogues and brochures are available for ordering and/or downloading via our website at:  
**[www.hewi.com/brochures](http://www.hewi.com/brochures)**

### PRODUCT CATALOGUE ONLINE

- All HEWI product information is available online – tender specifications, CAD data, drawings, photos, planning aids, etc.
- The product catalogue is available at:  
**[hewi.com/product\\_catalogue](http://hewi.com/product_catalogue)**

### YOUR LOCAL CONTACTS

- We will gladly advise you on site
- To find your personal contact visit:  
**[hewi.com/contact](http://hewi.com/contact)**

### YOUR CONTACT PERSONS FROM HEWI'S INTERNAL SALES DEPARTMENT

- If you would like to be advised personally or be given an on-site presentation, HEWI customer consultants from the field sales department would be delighted to oblige
- There is a customer services team at the HEWI order centre with specific responsibility for your sector and region which will provide you with competent support in all matters relevant to HEWI products and services:  
Tel.: +49 5691 82-0  
Fax: +49 5691 82-319  
e-Mail: [international@hewi.com](mailto:international@hewi.com)



**PREMIUM QUALITY**

Selected materials and careful workmanship ensure durable products of outstanding quality. HEWI has always produced its polyamide products in its own factory in North Hesse, Germany. As a premium brand, HEWI offers high-quality, long-lasting system solutions and enables consistent design throughout, from the entrance door through to the sanitary room.

**CE CODING PURSUANT TO THE MEDICAL PRODUCTS ACT**

Medical products are subject to directive 93/42 EEC and are legally required to be marked with the letters 'CE'. The CE seal may only be used if the product in question has successfully completed the CE conformity evaluation procedure. The guarantee that safety standards are adhered to is, therefore, given in the case of HEWI marked products.

**GS-TESTED SAFETY**

Our cloakroom products are subject to voluntary testing. With HEWI you therefore acquire tested safety (and hence the GS abbreviation). For you this means: you can depend on HEWI products always satisfying the current safety standards and in most cases they even exceed them.

**SUSTAINABILITY**

Resource-saving methods, the highest quality and extreme durability contribute to the development of environmentally friendly products. At HEWI each work step is tested for environmental compatibility and optimized if necessary. Since 1998 the HEWI environmental management system is international standard. HEWI products can be recycled.

**CERTIFICATIONS**

The following certifications have been confirmed by accredited certification firms for the scope: development, production and sale of signage systems, hardware, electronic locking systems, handrails, sanitary accessories and accessibility products as well as injection moulding products made of synthetic materials including the necessary moulds and resources:

**EN ISO 9001**

As early as 1994 all our corporate processes were already being performed in accordance with EN ISO 9001 quality guidelines. As a result, we are committed to the highest quality at all product stages, from the planning to the development through to manufacturing and shipping. For you, this means, at HEWI you always get top quality.

**EN ISO 14001**

HEWI's environmental management system conforms to international standards and has been certified by accredited companies since 1998. These long life cycles and the longterm strategy of using timeless designs contribute to relieving the environment.

**EN ISO 50001**

Through a consistent energy management, we are committed to systematically exploit potential energy savings in business and purposefully implement measures. Since 2014 supports a comprehensive energy management system to continuously improve our energy performance.

Copies of the certificates can be issued on request.



**SAFETY WITH SYSTEM**

The Safety with System seal of approval of the Berufsgenossenschaft Chemie distinguishes occupational safety at HEWI.

**PARTNERS**

HEWI is actively involved in a broad-based network and is therefore a member of diverse associations.



**FURNITURE M 40 – MATERIAL CHARACTERISTICS AND CARE TIPS**

Basic module, cabinet modules and base cabinets:

We recommend that you use a clean, soft, damp cloth to clean the MDF carcass. A microfibre cloth can also be used to clean the carcass thoroughly. Spilt substances should be removed immediately. Particularly stubborn stains (grease, cosmetics, etc.) can be removed with 1% soapsuds or washing-up liquid, then rub the area dry. Ensure that there are no drops of liquid remaining on the edges or on the rear of the carcass. We recommend a clean, soft cloth and proprietary glass cleaner to clean the mirror and glass surfaces.

Seat module:

The leather-look seat has high lightfastness, is UV resistant to DIN 54004, an anti-bacterial finish, it is flame retarding, and mould resistant. The seat is easy to clean with a clean, soft cloth and washing-up liquid. Just like the MDF carcass of the seat module. Stubborn stains on the seat can be treated with a soft brush. A solution of alcohol and water with mix ratio 1:1 is recommended for heavier soiling.

General cleaning instruction/using cleaning products:

Never use cleaning products containing scouring agents, alkaline, acid or chlorine, or other chemicals to clean the M 40 bathroom furnishings. Abrasive instruments, e.g. brushes, must also be avoided. The requirement for use of all cleaning product is that they be used in accordance with the manufacturer's instructions for use (concentration, time left to act).

**POLYAMIDE AND CHROME PLATED SURFACES – MATERIAL CHARACTERISTICS AND CARE TIPS**

High gloss surfaces and brilliant colours characterize the HEWI products made of high-quality polyamide. The non-porous surface is easy to clean. Polyamide is extremely robust. HEWI polyamide products are easy-care. Generally speaking, an occasional wipe with a damp cloth is enough. If, however, you feel you have to use detergents, you should take note of the following information. Only use detergents with a pH-rating of between 6 and 8. Detergents containing active substances such as phosphates, soap and tensides may be used. Detergents containing acids, alkalis, bleach or scouring agents may not be used. Nor should utensils with a scouring effect such as brushes etc. Usage of any detergent requires full compliance with the manufacturer's instructions (concentration, soaking time etc.).

**STAINLESS STEEL – MATERIAL CHARACTERISTICS AND CARE TIPS**

Stainless steel has a non-porous and therefore particularly hygienic surface. Minimal maintenance requirements sufficient to prevent dirt, bacteria or microorganisms accumulate on the surface. The material is extremely robust and resistant to scratches. Due to their smooth surface and high resistance to detergents and disinfectants, components made of non-corroding stainless steel are particularly easy to clean. An occasional wipe-down with warm water and a standard detergent is generally sufficient. Detergents with iron, acid or chlorine content are not suitable for cleaning purposes, as they allow foreign or ambient rust to form on the surface of the stainless steel. Scouring aids or detergents containing a scouring additive should also be avoided. It should also be noted that HEWI product surface finishes can be attacked and damaged.

**MORE INFORMATION ABOUT CLEANING HEWI PRODUCTS**

Our warranty does not cover damage occurring as a result of incorrect handling.

Ask our order centre to send you a detailed list of approved detergents.

Please contact HEWI  
Tel. +49 5691 82-0,  
if any questions are left.

# International terms and conditions of sale

## § 1 Applicability of these International Terms and Conditions of Sale

(1) The terms and conditions set out in these International Terms and Conditions of Sale, which form an integral part of the Contract of Sale, apply to all Contracts of Sale concluded as of 2 January 2020 if the buyer's relevant place of business is outside of Germany. These International Terms and Conditions of Sale apply exclusively. The buyer's terms and conditions which conflict or differ from these International Terms and Conditions of Sale and/or from the legal provisions do not apply, even if we do not object to them or render performance or accept the buyer's performance.

(2) These Terms and Conditions of Sale do not apply if the goods are bought for personal, family or household use and we knew or ought to have known at any time before or at conclusion of the Contract of Sale that the goods were bought for any such use. The buyer declares that the goods are not bought for personal, family or household use.

## § 2 Formation of the Contract of Sale

(1) A Contract of Sale always requires a written order of the buyer.

(2) We may accept the buyer's written order with our order acknowledgement (hereinafter the "Order Acknowledgement") within 10 (ten) calendar days after receipt of the buyer's order.

## § 3 Applicable Law

(1) The Contract of Sale is governed by the United Nations Conventions of 11 April 1980 on Contracts for the International Sale of Goods (UN Sales Convention/ CISG) in the English version and all legal questions beyond the scope of the CISG are governed by the Swiss law of obligations (Obligationenrecht). The CISG also applies to all agreements as to the jurisdiction of courts and arbitral tribunals.

(2) Should commercial terms be used the Incoterms® 2020 of the International Chamber of Commerce apply taking into account the provisions stipulated in these International Terms and Conditions of Sale.

## § 4 Specifications of the goods; Third party rights

(1) The goods to be delivered have to conform to the specifications and quality requirements set out in the Order Acknowledgement. To the extent no specifications or quality requirements are stated in the Order Acknowledgement, the goods conform with the contract if they are fit for the purpose which is usual in Germany and fit for the purpose for which goods of the same description are usually used for in Germany. Unless otherwise explicitly agreed to, the goods do not have to conform to any laws or regulations existing outside of Germany. Should the conformity of the goods depend on the field of application of the goods, the buyer shall also be responsible for ensuring that the goods are suitable for the purpose intended by him.

(2) Should the buyer intend to use the goods in circumstances which are unusual or which could entail a particular risk to the safety and health of any person or to the environment, the buyer has to inform us in writing about these intentions before concluding the Contract of Sale.

(3) Rights and claims of third parties (in particular rights and claims based on title or industrial property rights) only constitute a defect in title if these rights and/or claims are in force and registered in Germany and impede the use of the goods in Germany.

## § 5 Obligation to deliver; Passing of risk

(1) We have to deliver the goods referred to in the Order Acknowledgement including a packaging that is suitable for the means of transportation.

(2) Delivery has to be made FCA Incoterms 2020 at our premises in 34454 Bad Arolsen/Germany. We are not obliged to contract for carriage and we are not obliged to inform the buyer that the goods have been delivered or that the carrier or another person nominated by the buyer has failed to take the goods within the time agreed. We are however entitled to contract for carriage in our own name at the buyer's risk and expense; the costs resulting therefrom will be charged to the buyer with the invoice. We are also entitled to contract for carriage on behalf of the buyer at the buyer's risk and expense. In all such instances where we contract for carriage at buyer's risk and expense, the place of performance for delivery will be 34454 Bad Arolsen/Germany.

(3) Adherence to the delivery date respectively the delivery period stated in the Order Acknowledgement is not of the essence and non-adherence to the delivery date or the delivery period respectively does not constitute a fundamental breach of contract. If delivery periods are agreed to, we reserve the right to determine the exact delivery time within the delivery period.

(4) All delivery dates and delivery periods are dependent upon the buyer performing all of his obligations in due time. In particular, the buyer has to procure or confirm any necessary permits, drawings etc. and make agreed payments in due time.

(5) We are entitled to make partial deliveries and to invoice these separately.

(6) The passing of risk takes place with delivery in accordance with § 5 sec. 2. Should the buyer fail to take delivery, the risk passes at the time the buyer fails to take delivery.

(7) In addition to our statutory rights we are entitled to suspend the performance of our obligations if there are reasonable indications that the buyer will not perform his obligations under the Contract of Sale, in particular not be able to pay the agreed price in due time.

## § 6 Delivery Note, Invoice and other documents

(1) We will provide the buyer with a delivery note issued according to our standard.

(2) Irrespective of the Incoterms-clause used, we are not obliged to clear the goods for export. We will however at the buyer's risk and expense apply for any necessary export licences and formalities as regards customs provided that the buyer has provided us with all necessary information.

(3) We will provide the buyer only with such documents explicitly stated on the Order Acknowledgement.

## § 7 Force Majeure

Any inability to supply as a result of force majeure or other unforeseen incidents outside our responsibility including, without limitation, strike, lock out, acts of public authorities, subsequent cease of export or import opportunities shall, for their duration and in accordance with their impact, relieve us from the obligation to comply with any agreed delivery period and delivery time as well as any other obligation.

## § 8 Obligation to pay the purchase price

(1) The buyer is obliged to pay the agreed purchase price to the bank account nominated by us. Insofar as pursuant to the Order Acknowledgement the packaging costs are not included in the purchase price, these costs are to be paid in addition to the purchase price. The place of payment is 34454 Bad Arolsen/Germany. Banking fees accrued outside of Germany will be borne by the buyer. The payment shall be made without any deductions and is due for payment on the date or within the time limit as stated on the Order Acknowledgement. A time limit for payment stated on the Order Acknowledgement shall be calculated from the date of invoice. In the absence of any payment dates or time limits stated on the Order Acknowledgement, payment shall be made within 30 (thirty) calendar days after date of invoice. The buyer's acceptance of the goods is no precondition for the payment to become due.

(2) The agreed prices shall exclude any statutory VAT applicable at the date of delivery.

(3) The buyer is only entitled to exercise a lien or to suspend his performance if this is based on the same transaction as well as based on a due and undisputed or finally adjudicated counterclaim of the buyer.

(4) The buyer may only offset any claims insofar as the buyer's counter-claim is acknowledged, undisputed or assessed in a legally binding judgement.

(5) If and till such time the buyer is in arrears with payment of the purchase price, the buyer is obliged to pay interest at the rate of nine (9) percentage points above the base rate of the German Central bank per annum.

## § 9 Non-Conforming goods; Goods with a defect in title

(1) The goods do not conform to the contract if at the time the risk passes they significantly deviate from the requirements set out in § 4 sec. 1 and sec. 2.



(2) The goods are not free from rights or claims of third parties if at the time the risk passes they significantly deviate from the requirements set out in § 4 sec. 3.

## § 10 Duty of examination and notification

(1) Without prejudice to the legal provisions, the buyer is obliged to examine the goods comprehensively in respect of deviations as regards type, quantity, quality and packaging. If necessary, the buyer is obliged to conduct the examination with the help of external third parties.

(2) Notice of non-conformity has to be made in within ten (10) calendar days. For very obvious non-conformities, the period for such notification starts with the delivery of the goods, in all other cases after the buyer has discovered the non-conformity or ought to have discovered it. Notice of non-conformity has to be given in writing. The notice of non-conformity has to clearly indicate and describe the non-conformity in such a way that we can take remedial actions.

(3) Apart from the aforesaid as well as with respect to defects in title, the statutory provisions apply.

## § 11 Limitation Period

Without prejudice to claims resulting from a malicious, grossly negligent or intentional conduct as well as claims due to injury of life, body or health, the buyer's claims in respect of the delivery of non-conforming goods and goods with a defect in title become time-barred one (1) year after delivery of the goods.

## § 12 Remedies in case of non-conforming goods and goods with a defect in title; Limitation of Liability

(1) In case of delivery of non-conforming goods, the buyer can claim delivery of substitute goods, rectification of a non-conformity by repair, reduce the purchase price or declare avoidance of the Contract of Sale only in accordance with the legal provisions. Delivery of substitute goods and rectification of a non-conformity by repair does not include the removal of the non-conforming goods nor the assembly of the repaired or of the substitute goods.

(2) To the extent any costs associated with performing remedies are increased by the fact that the buyer has removed the goods to a place not stated in the Order Acknowledgement or, in the absence of such an indication, to a place other than the buyer's place of business, these costs will be borne by the buyer.

(3) Delivery of substitute goods or repair does not lead to a restart or extension of the limitation period.

(4) If we deliver non-conforming goods or goods with a defect in title or breach any other obligation resulting from the Contract of Sale or the business relationship with the buyer, the buyer is entitled to demand damages only in accordance with the following provisions and any recourse to concurrent bases of claim (in particular of a non-contractual nature) is excluded:

a. We are not liable for the conduct of our suppliers or subcontractors. Neither are we liable for damages to which the buyer has contributed.

b. The buyer has to prove that either our directors or employees or other members of staff have deliberately or negligently breached contractual obligations owed to the buyer.

c. In case of liability, the amount of damages for late delivery is limited to 0,5 per cent for each full week of delay, up to a maximum of 5 per cent of the purchase price of the goods delivered late or not at all, and in case of remedies because of delivery of non-conforming goods and/or goods with a defect in title and in case of all other breaches of obligations is limited to the purchase price of the goods affected.

d. Irrespective of § 12 sec. 5 c), we are not liable for loss of profit.

e. The aforesaid limitations in § 12 sec. 5 do not apply

i. to injury of life, body or health,

ii. if we have acted maliciously, grossly negligent or intentionally,

iii. if we are liable according to mandatory product liability laws, and

iv. to liabilities which may not be excluded or limited according to the applicable laws.

(5) Apart from the aforesaid, the statutory provisions apply.

## § 13 Right to use Software; Rights in documents etc.

(1) In case the goods include software, with the delivery of the goods the buyer is hereby granted a non-exclusive, royalty-free license to use the software, but strictly and only in connection with the goods purchased under this Contract of Sale. With the exception of the right to make one backup copy, the buyer is not entitled to copy the software.

(2) We reserve all intellectual property rights in any documents, pictures, drawings etc. (collectively "Documents") arising in connection with the performance of the obligations arising under the Contract of Sale and such Documents shall belong exclusively to us.

## § 14 Other Provisions

(1) Title of the goods that have been delivered remains with us until all of our claims against the buyer have been settled.

(2) We are not obliged to perform any obligations not stated in the written Order Acknowledgement or in these International Terms and Conditions of Sale.

(3) There are no side agreements to the Contract of Sale.

(4) Any amendments to a concluded Contract of Sale require our written confirmation, duly approved by signature.

(5) The buyer is not entitled to assign his rights and obligations against us to a third party.

(6) The place of performance for delivery is governed in § 5 sec. 2, the place of performance for the payment in § 8 sec.1. For all remaining obligations and irrespective of the agreement of a differing Incoterms-clause, the place of performance is agreed to be 34454 Bad Arolsen/Germany, including for a replacement delivery, for the rectification of non-conformities and for the restitution of the contractual obligations in case of avoidance of the Contract.

(7) All communications, declarations, notices etc. (hereinafter collectively "Notices") are to be drawn up exclusively in German or English. Notices by means of fax or email fulfill the requirement of being in writing. A signature is not required, unless these International Terms and Conditions of Sale explicitly require a signature.

## § 15 Agreement on arbitration and jurisdiction

(1) If the Buyer's place of business is located within the European Economic Area and/or within Switzerland, for all disputes, including disputes under insolvency law, arising out of or in connection with a Contract of Sale and/or these International Terms and Conditions of Sale, including its validity, invalidity, violation or cancellation as well as other disputes arising out of the business relationship between the Buyer and us, the state court which has jurisdiction for 34454 Bad Arolsen/Germany shall have exclusive jurisdiction. Instead of bringing an action before the state court which has jurisdiction for 34454 Bad Arolsen/Germany, we are also entitled to bring an action before the state court of the Buyer's place of business.

(2) If the Buyer's place of business is located outside of both the European Economic Area and Switzerland, all contractual and extra-contractual disputes, including disputes under insolvency law, arising out of or in connection with a Contract of Sale and/or these International Terms and Conditions of Sale, including its validity, invalidity, violation or cancellation as well as other disputes arising out of the business relationship between the Buyer and us shall be finally settled in accordance with the Swiss Rules of International Arbitration of the Swiss Chambers' Arbitration Institution in force on the date on which the Notice of Arbitration is submitted in accordance with these Rules. The place of the arbitration shall be Zurich/Switzerland, the language used in the arbitral proceedings shall be English.

## § 16 Severability

If provisions of these International Terms and Conditions of Sale should be or become partly or wholly ineffective, the remaining provisions will continue to apply. We and the buyer are bound to replace the ineffective provision with a legally valid provision as close as possible to the commercial meaning and purpose of the ineffective provision.







## HEWI Polyamide colours

---



Neutral colours



Warm colours

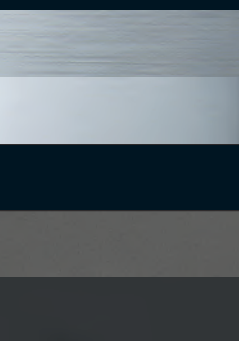


Colours

---

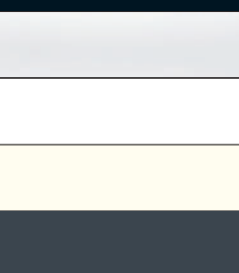
## HEWI Surfaces

Stainless steel, chrome, powder-coating



---





## HEWI Inserts Glass, polyamide



# HEWI Glass colours






Colour/material designation	S 50	LRV	similar: RAL Design RAL Standard NCS Design	— Range 802 LifeSystem —			— System —
				Seats	Hinged support rails	Accessories	
Plexiglas® white		86	- RAL 9003				







# HEWI PIR synthetic material

Colour/material designation	Re-seat family	LRV	similar: RAL Design RAL Standard NCS Design	Seats	Hinged support rails	Accessories	Basic colour
Dark granite grey		5	- RAL 9005 S 9000-N				
Forest green		30	RAL 080 60 10 RAL 1035 S 4005-Y20R				

# HEWI Washbasins

Colour/material designation	similar: RAL Standard	LRV	LRV	Seats	Hinged support rails	Accessories	Basic colour
Mineral composite	RAL 9016	79	29				

23	- S 0580-Y80R						
9	RAL 030 30 45 RAL 3003 S 3560-R						
36	- S 2070-G60Y						
18	RAL 130 50 40 RAL 6017						
20	RAL 220 50 15 S 4020-B30G						
6	RAL 260 20 15 RAL 5011						
86	- RAL 9003						

		System 100	System 800	System 815
53				
71				
77	- RAL 9003 smooth deep matt			
13	DB703			
4	- RAL 9005 smooth deep matt			

**HEWI Colours compared with RAL and NCS**  
 HEWI Colours have been classified by RAL and NCS and allocated the nearest possible colour classification. Identical colours do not exist in the RAL and NCS systems. In cases where HEWI colours and the colour classification differ too greatly, no classification appears in the table. **Personal colour comparison should still be performed.**

Due to printing process colours shown may differ slightly from the product.

\* Powder-coating | Synthetic material  
 \*\* Stainless steel, powder-coated  
 \*\*\* For barrierfree products, colours 24 (orange) and 72 (may green) are omitted.

86				
83				
9				
5				

## HEWI Polyamide colours according to ranges

h 800 K –

Accent colour	Cloak-rooms	High risk products	Range 477/801	Number   Colour
				<b>98</b> HEWI signal white
				<b>99</b> HEWI pure white
				<b>97</b> HEWI light grey
				<b>95</b> HEWI stone grey
				<b>92</b> HEWI anthracite grey
				<b>90</b> HEWI jet black
				<b>86</b> HEWI sand
				<b>84</b> HEWI umber
				<b>18</b> HEWI mustard yellow
		***	***	<b>24</b> HEWI orange
				<b>36</b> HEWI coral
				<b>33</b> HEWI ruby red
				<b>74</b> HEWI apple green
		***	***	<b>72</b> HEWI may green
				<b>55</b> HEWI aqua blue
				<b>50</b> HEWI steel blue
				<b>98</b> HEWI signal white <i>active+</i>

## Surfaces according to ranges

System 162	Range 805	Range 805 Classic	System 900/900 Q	
				Stainless steel satin surface (XA)
				Highly polished chrome (Chr)
**			**	Matt white
**			**	Matt dark grey pearl mica
**			**	Matt black

## Inserts in glass and polyamide

				Satin-finished crystal glass
				<b>98</b> HEWI signal white
				<b>99</b> HEWI pure white
				<b>92</b> HEWI anthracite grey
				<b>90</b> HEWI jet black

# HEWI

[www.hewi.com](http://www.hewi.com)

## GERMANY

HEWI Heinrich Wilke GmbH

Postfach 1260

34442 Bad Arolsen

Phone: +49 5691 82-0

Fax: +49 5691 82-319

[international@hewi.com](mailto:international@hewi.com)