

FREESTYLE | wetrooms



A range of wetroom trays and tile backer board
designed for quick and easy installation



WETROOMS

PRODUCT OVERVIEW

A range of pre-formed wetroom trays designed for quick and easy installation, supplied with a reversible grill, offering either a brushed stainless steel or Tile-Insert finish.

- Popular tray sizes
- Pre-formed gradient
- Quick & easy to install
- Complete system
- 25 Year guarantee
- 24 Hour delivery*

* Subject to orders received by 1pm, excludes TileBacker

HOW TO ORDER

Ordering Wetrooms is easy, simply follow the three steps below;

1. CHOOSE THE TYPE OF FINISH REQUIRED

- **Linear Wetroom Tray**
(two way gradient - suitable for large format tiles)
- **4 Way Wetroom Tray**
(four way gradient)

2. CHOOSE THE CORRECT SIZE TRAY TO SUIT THE DESIRED SHOWER AREA

- See pages 2 & 3 for details

3. ADD THE WATERPROOFING

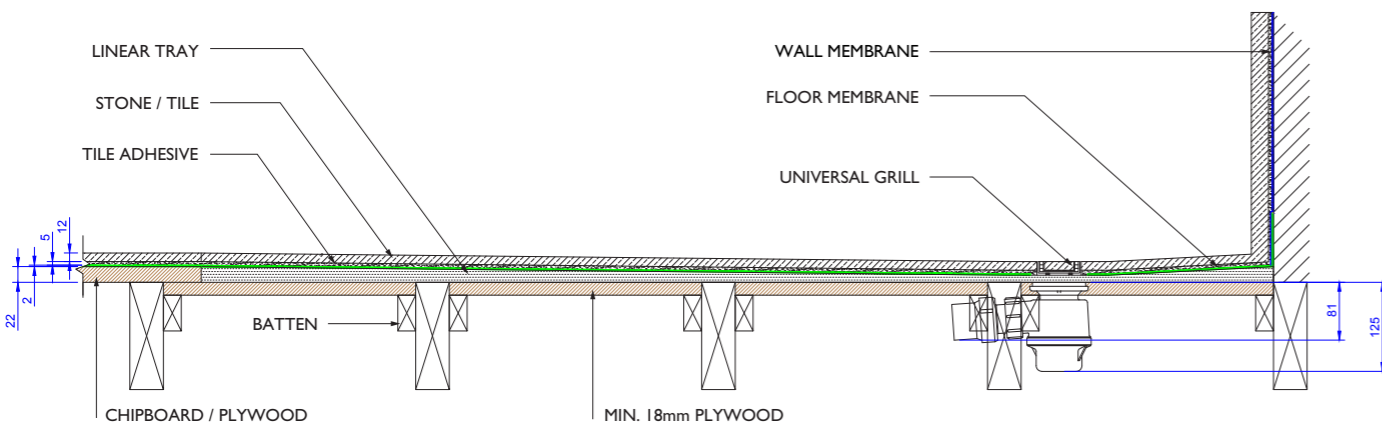
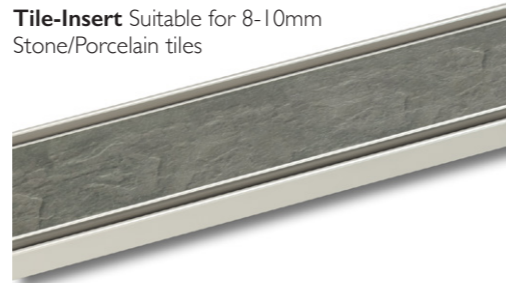
- See page 4 for details

UNIVERSAL GRILL

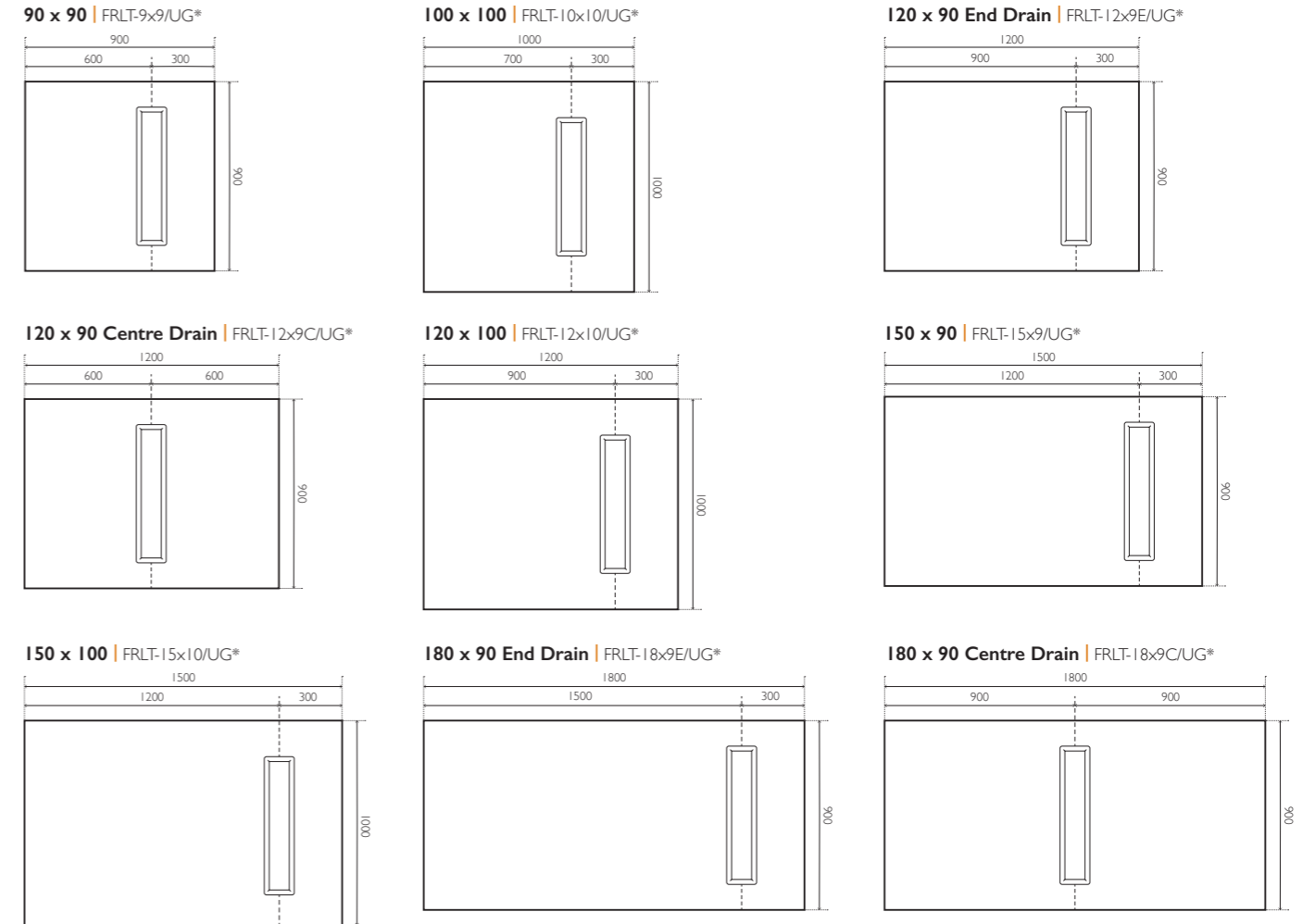
Brushed Stainless Steel



Tile-Insert Suitable for 8-10mm Stone/Porcelain tiles



LINEAR WETROOM TRAY



PRODUCT FEATURES

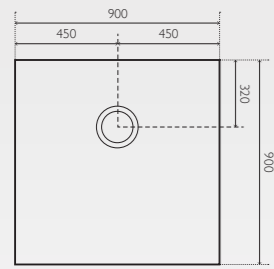
- Two way gradient - Suitable for large format tiles
- 22mm depth
- Easy to trim
- Tile decor strip
- Variable trap position
- 40mm adjustable outlet
- Flow rate 24 L/min
- Height adjustable universal grill
- Grill removal key for easy cleaning
- 25 Year Guarantee

* Product code Includes trap, grill, tile edge trim & fixing washers. Not suitable for use with vinyl sheet flooring.

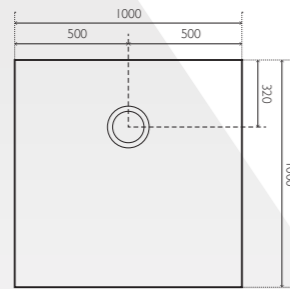


4 WAY WETROOM TRAY

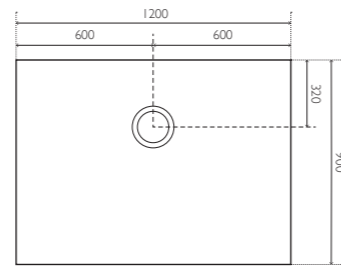
90 x 90 | FRFT-9x9/UG*



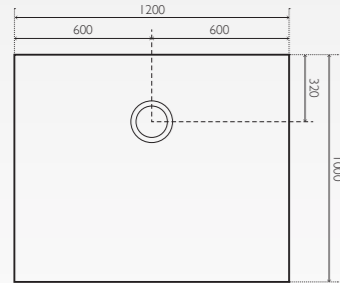
100 x 100 | FRFT-10x10/UG*



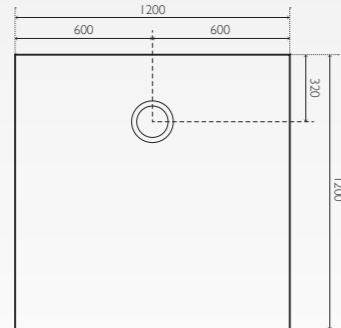
120 x 90 | FRFT-12x9/UG*



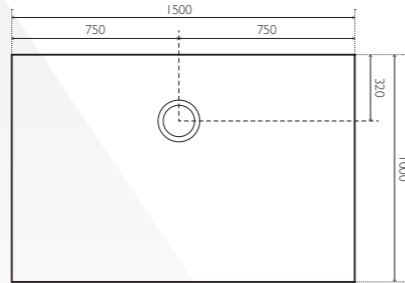
120 x 100 | FRFT-12x10/UG*



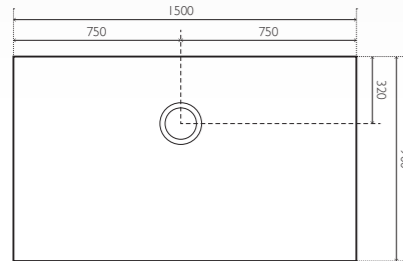
120 x 120 | FRFT-12x12/UG*



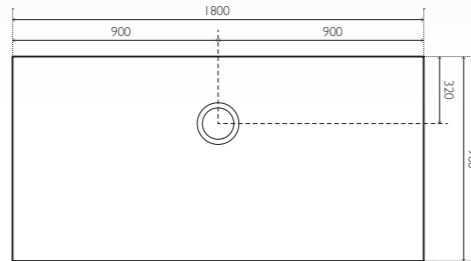
150 x 100 | FRFT-15x10/UG*



150 x 90 | FRFT-15x9/UG*



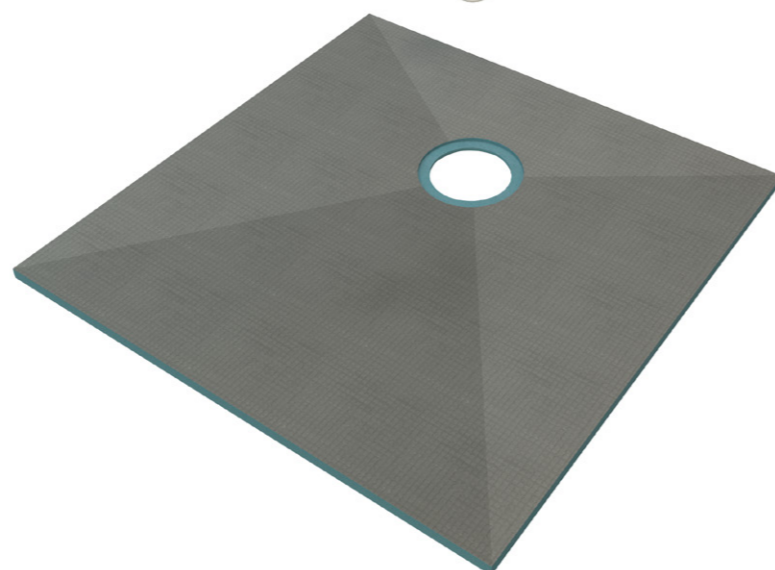
180 x 90 | FRFT-18x9/UG*



PRODUCT FEATURES

- Four way gradient
- 22mm depth
- Easy to trim
- 40mm adjustable outlet
- Flow rate 24 L/min
- Height adjustable universal grill
- Grill removal key for easy cleaning
- 25 Year Guarantee

*Product code Includes trap, grill, tile edge trim & fixing washers.
Not suitable for use with vinyl sheet flooring.



LIQUID WATERPROOFING MEMBRANE



- **W8 FLOOR AND WALL MEMBRANE**
- Complete Kit, including Drain Gasket
- Waterproofing tape to support junctions & joints
- Quick and easy to apply - Touch dry in 30 minutes
- Odourless and solvent free
- 25 Year Guarantee

Coverage

- 1.42 kg/m² (Floor)
- 0.71 kg/m² (Walls)
- Sufficient for a shower area up to 1800mm x 900mm ‡

‡ Coverage based upon an alcove shower (3 sides), with the wall membrane applied up to 2000mm high.



LINEAR TRAY WATERPROOFING KIT

FRW8K-LT

8kg Membrane
10m x 120mm Waterproofing Tape
1Ltr Primer
750mm x 250mm Drain Gasket



4 WAY TRAY WATERPROOFING KIT

FRW8K-FT

8kg Membrane
10m x 120mm Waterproofing Tape
1Ltr Primer
330mm x 330mm Drain Gasket



ACCESSORIES

ADDITIONAL WATERPROOFING TAPE

FRW8T-10
10m x 120mm



PRIMER
FRW8-PRI/05
500ml Primer



SELF ADHESIVE WATERPROOFING MEMBRANE



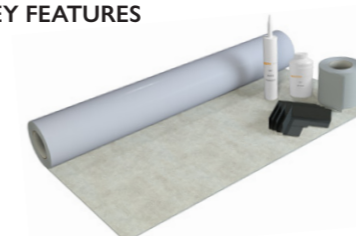
W1 FLOOR MEMBRANE

W1 is a self-adhesive waterproofing and decoupling floor membrane designed specifically for use in wetrooms.

It is quick and easy to apply and guaranteed not to leak, whilst also acting as an anti-fracture membrane to prevent tiles from cracking.

FLOOR MEMBRANE - KEY FEATURES

- Self Adhesive
- Decoupling up to 10mm
- Supplied as a kit
- Lifetime Guarantee
- Ready to tile immediately
- 1mm factory controlled thickness



FRW1K-5 - 5m² Kit
FRW1K-10 - 10m² Kit

W3 WALL MEMBRANE

W3 is a quick drying single coat liquid wall membrane with superior elasticity designed for use in bathrooms, wetrooms and showers.

Wall junctions and niches should be supported using W3 Reinforcing Tape.

WALL MEMBRANE - KEY FEATURES

- Single coat
- Quick and easy to apply
- Touch dry in 30 minutes
- Ready to tile in 24 hours
- Coverage 1 l/m²
- Lifetime Guarantee
- Use with W3 Reinforcing Tape



FRW3M-8 - W3 Wall Membrane 8Kg
FRW3T-10 - W3 Reinforcing Tape 10m

TILEBACKER

PRODUCT OVERVIEW

TILEBACKER is manufactured using a high density XPS core, with a specially formulated mineral coating, making it lightweight, easy to handle and trimmable.

In addition to being water resistant, TILEBACKER has excellent thermal properties and compressive strength, making it ideal for use in areas prone to moisture.

BS 5385 Part 1:2018 states that 'tiling directly onto plywood is no longer recommended for wall tiling'

TILEBACKER is ideal for wall tiling as it offers a dimensionally stable wall background which is both strong and moisture resistant.

FEATURES

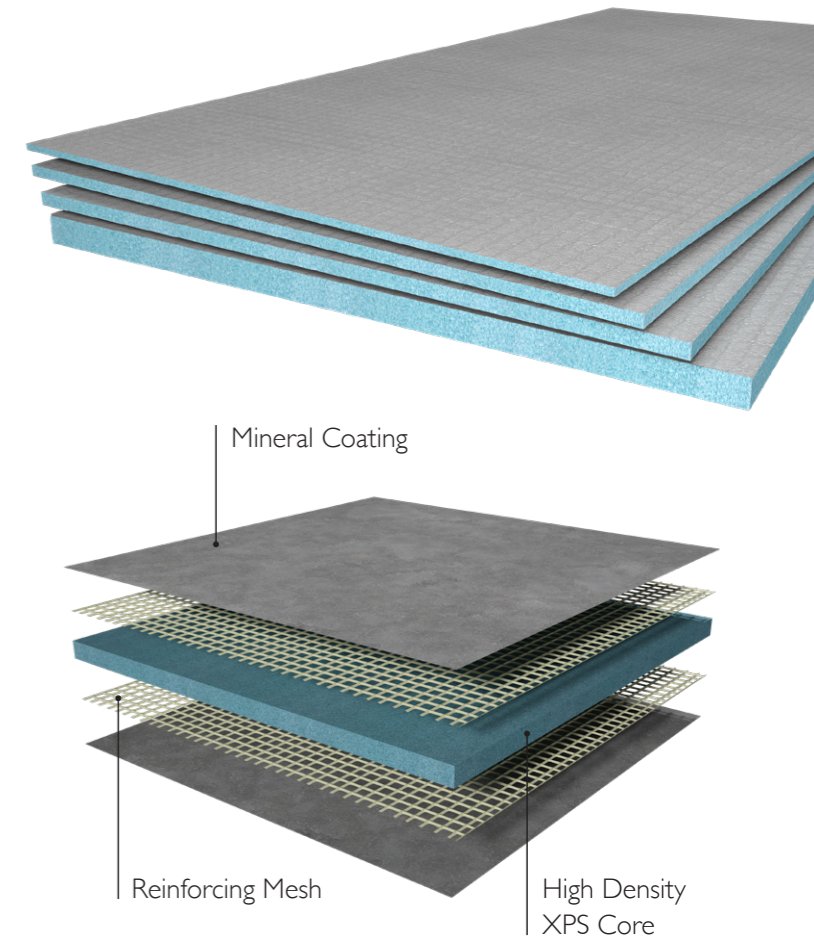
- Lightweight and Strong
- Water Resistant
- Thermal Protection
- Wall & Floor Solutions
- BS 5385 Part 1:2018
- Fire Resistant Class E
- Lifetime Guarantee
- Trimmable

TILEBACKER provides a superior water resistant substrate preventing moisture absorption and mould growth, the most common cause of tile failure in bathrooms & kitchens.

TILEBACKER can also be used as an alternative to traditional dry lining materials, such as plasterboard.

TESTING

Thermal conductivity	0.037 W/mK
Tensile resistance	0.26 m ² K/W
Tensile strength	0.28 N/mm ²
Density	273.41 Kg/m ³
Compressive strength at 10%	272 KPa
Sheer strength	801.4 KPa
Acoustic absorption	0.10 a _w
Acoustic performance	0.2 dB
Fire Resistant	Class E
Load Strength	100kg



PRODUCT FEATURES



LIGHTWEIGHT



LOAD STRENGTH



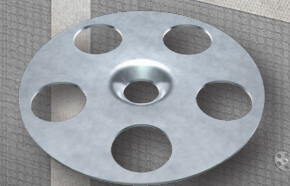
WATER RESISTANT



TRIMMABLE



THERMAL INSULATION

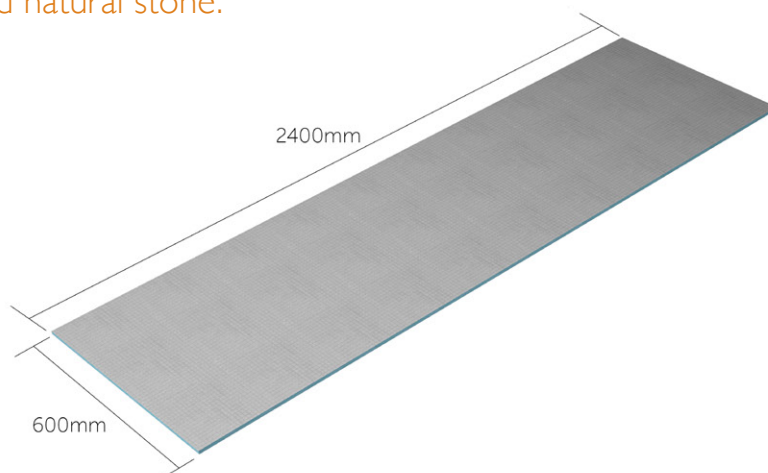
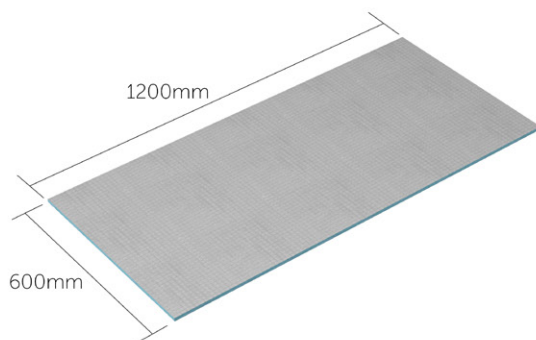


Fixing washers sold separately

TILEBACKER

Universal Tile Backer A high density water resistant construction board suitable for tiles and natural stone.

TILEBACKER BOARD



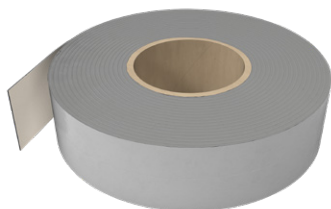
Length	Width	Thickness	Code	Box Qty	m ² /box
1200mm	600mm	6mm	UTB12-06	10	7.20
1200mm	600mm	10mm	UTB12-10	6	4.32
1200mm	600mm	12mm	UTB12-12	5	3.60
1200mm	600mm	20mm	UTB12-20	3	2.16

Fixing washers supplied separately

Length	Width	Thickness	Code	Box Qty	m ² /box
2400mm	600mm	10mm	UTB24-10	5	7.20
2400mm	600mm	12mm	UTB24-12	5	7.20
2400mm	600mm	20mm	UTB24-20	3	4.32

Fixing washers supplied separately

ACCESSORIES



Butyl Self-Adhesive Reinforcing Tape
75mm x 10m **UTBST-10**



Fleece/Butyl Waterproofing Tape
120mm x 10m **UTBFT-10**



Washer pack for 1200mm board **UTBWA-12**

Washer pack for 2400mm board **UTBWA-24**

Additional Washers (Pk50) **UTBWA-50**

Available From:

